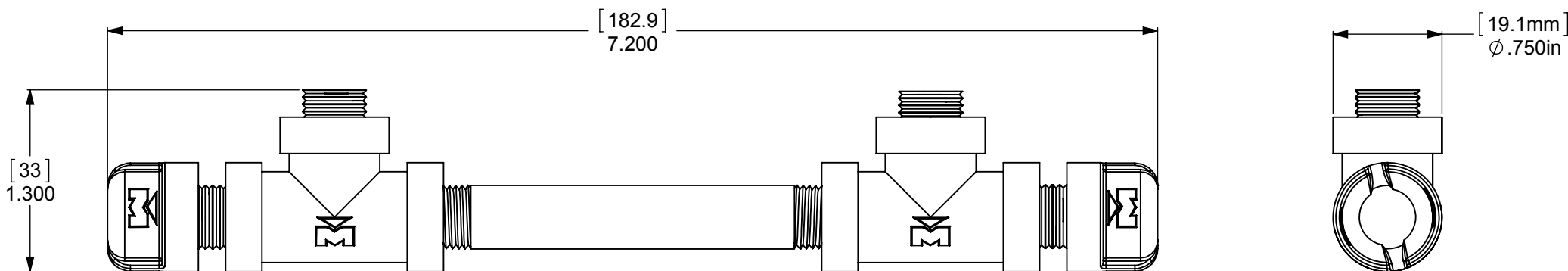
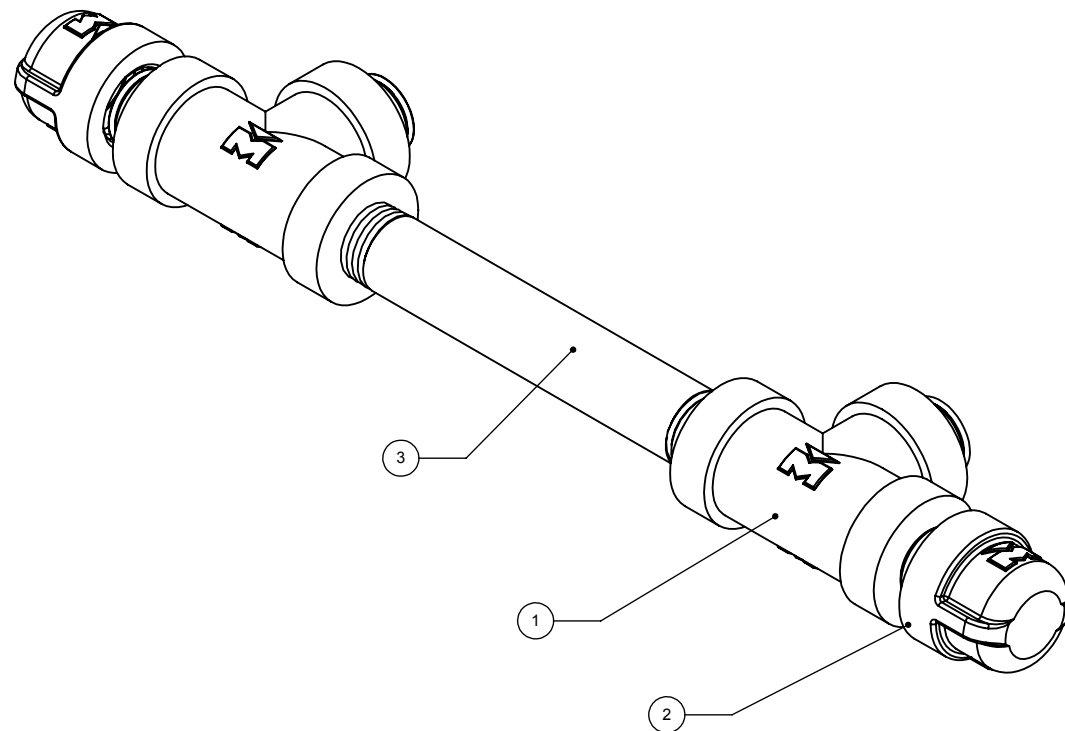


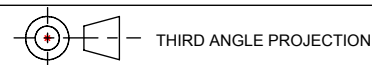
ITEM NO.	PART NUMBER	DESCRIPTION	QTY.
1	PIPE-TEE-18	1/8" TEE	2
2	PIPE-CAP-18	1/8" CAP	2
3	PIPE-NIP18-3	1/8" 3" NIP	1



**APPROVED FOR PRODUCTION**  
 BY: RICHARD PAUL  
 DATE: 6/14/2017

UNLESS OTHERWISE STATED	
.X	±.3mm
.XX	±.15mm
.XXX	±.008mm

COPYRIGHT © Allied Brass 2017



DRAWN	6/14/2017	I.M
CHECKED	6/14/2017	P.D
APPROVED	6/14/2017	R.A

MATERIAL: BRASS  
 DESCRIPTION: Pipeline Collection 7 Inch Overall Cabinet Pull

FINISH	TBD
QUANTITY	TBD
DRAWING No.	REV
P-800-7-CP	0
SCALE	SHEET: 01
1:1	A4