



Universal Forest Products

Wood Fence Kits Installation Instructions

Choose Your Fence Style

Create your preferred look:

- **Solid** Allows for complete privacy. Used to surround swimming pools, define property lines or cover unattractive areas.
- **Spaced Picket** Ideal for defining boundaries while maintain decorative appeal.

Items needed

Tools

Power Saw
Hammer
Level
Posthole Digger
Power Drill
Tape Measure
Carpenter Pencil

Materials

String
Grade Stakes
Concrete and Gravel
Fence Panel Kit
Fence Posts
2x4 Bracing Posts
Nails or Screws*

* Suggested fasteners are hot-dip galvanized screws or other fasteners manufactured for use with treated wood as required by building code

Preparation

Check with local ordinances and regulations before building fences in your area. Before construction, contact your local utility companies to mark any underground cables and pipelines. In addition, it's a good idea to discuss plans with any neighbors along your proposed fence line.

Design and Layout

- Determine the number of posts, panels and gates needed to complete the job based on total linear footage. Take into consideration each post, panel and gate width when determining the total number (one post per kit plus one to finish the run).
- Adjust layout to accommodate as many full panels as possible. If you must use partial panel, place it in the farthest rear corner of the property.
- Locate property boundaries and drive stakes into the ground at corners and ends of fence line, 6" inside property boundary.
- Stretch twine or heavy string between stakes and pull tightly to mark layout of fence line.
- Be sure to measure your fence panels and gates prior to locating the postholes. Also, take into consideration your chosen method of attaching the backer rails to posts (see *Connecting Backer Rails to Posts* section). Locate post placement in the following order along string line:

- 1 End/corner posts
- 2 Gate Posts
- 3 Line Posts

Installing Fence on Sloped Landscapes

Fences are installed on slopes using one of two methods (see *Figure 1*). Preassembled panels can only be installed using the step method. The fence gradually steps up the slope with the rails level, rather than parallel to the slope. With loose components, you have the option to use the parallel method. The rails are installed based on the degree of the slope. Since this method requires at the fence be constructed to conform to the slope, it cannot be accomplished using preassembled fence panels.

Digging Postholes

A general rule of thumb is to place 1/3 of the length of the post into the ground. The fence will be stronger if end, corner and gate posts are set at least 6" deeper. Using a posthole digger or power auger, dig the holes 10-12" wide and 6" deeper than needed. Backfill the hole with 6" of gravel to drain water away from the bottom of the post (see *Figure 2*). Keep the height of your fence panels in mind when digging your postholes.

Setting Posts

Install end and corner posts first. Tie a string between the posts along the fence line. This establishes a reference, ensuring the posts are in line (see *Figure 3*).

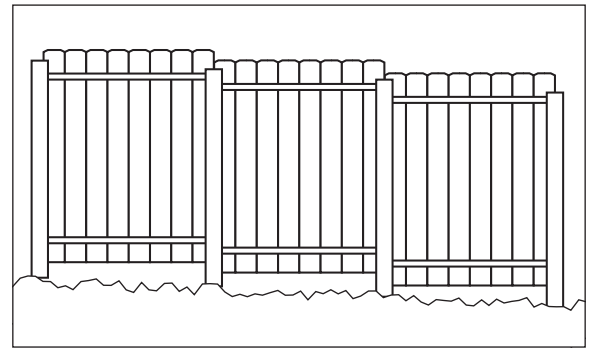


Figure 1 Step Method

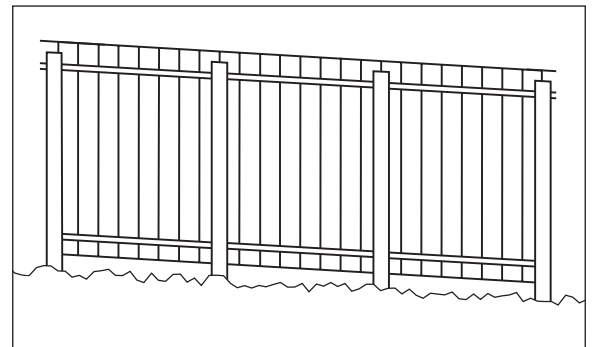


Figure 1 Parallel Method

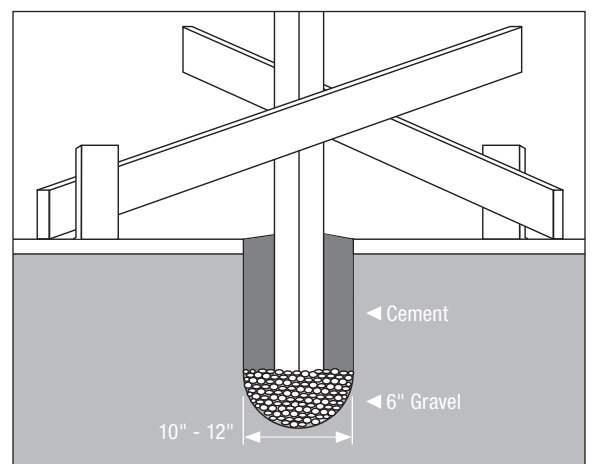


Figure 2

Brace the posts using 2x4s nailed to both the posts and stakes in the ground. This will keep them straight while the concrete sets. Check for plumb (90° angle) on two adjacent sides prior to pouring concrete. Fill hole with ready-mix concrete following the package instructions. Tamp the concrete to remove any air pockets. Overfill the holes at the top and slope the concrete away from the post to keep water from collecting around it. Recheck plumb and alignment of all posts and allow concrete to cure for 24 to 48 hours.

Cutting Posts to Proper Heights

An easy method to ensure your post tops are level is to run a string from corner post to corner post at the desired height, keeping the string taut (see Figure 3). Mark each post at the string line and cut off the tops of the posts. Finish off your posts with optional decorative finial tops.

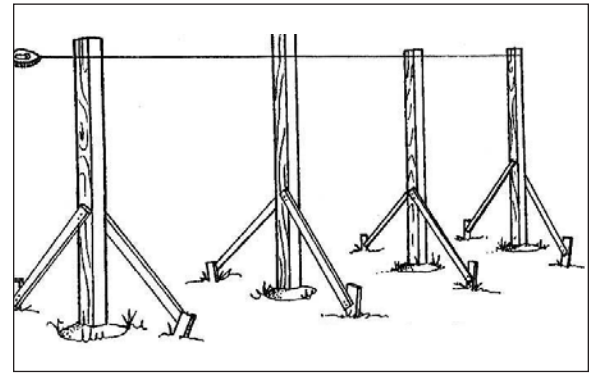


Figure 3

Connecting Backer Rails to Post

There are many ways to attach the backer rails or stringers to the posts (see Figure 4). Suggested positions to attach backer rails starting from the bottom of the post:

For a 6x6 Privacy, measure and mark at: 9 1/2", 34" and 59"

For a 3x6 Spaced measure and mark at: 5 1/2" and 28"

Place the bottom of the rails at these marks. Your finished product will be much more appealing to the eye if proper attention is given to this detail.

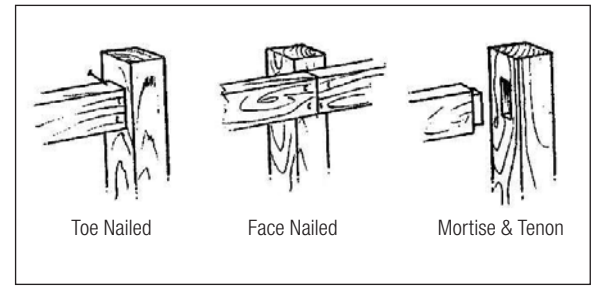


Figure 4

Building Panels

To install loose pickets to backer rails, use 8d or 10d, (1.5"-2.5" in length) box nails. Start at one end of the rail and check for level and plumb every three or four pickets. If you wish to build a solid "privacy" fence, abut the pickets without leaving a gap in between (see Figure 5).

To build a spaced picket fence, cut a board the width of the desired gap and use it as a spacer (see Figure 6). Remember to check for plumb every few pickets.

Use two backer rails for shorter fences, three for fences 6' tall, and four for fences 8' tall.

Backer rails should be attached on edge to prevent sagging.



Figure 5

Gate Installation

- Determine the desired swing direction of the gate (left or right-hand open).
- Mount hinge hardware to gate frame at the proper height, pre-drilling all the screw holes.
- Mount gate to gate posts, pre-drilling all screw holes
- Check for full gate swing clearance.
- Mount latch hardware, pre-drilling all screw holes.

Finishing your Fence

To prolong the life of your fence, applying a protective finish is recommended. Clean your fence with a cleaner/brightener that contains a mildewcide prior to applying your finish.

- Waterproofing sealer is best for woods that are not naturally resistant to decay and exposure to weather. The sealer helps prevent rain and moisture from soaking into the wood. Add a UV stabilizer to slow the discoloration process.

Care and Maintenance

- The continuous changes in weather conditions are hard on your fence. Your maintenance plan must be geared by water absorption and loss, mildew growth and UV discoloration.
- First-year maintenance - Reapply cleaner/brightener as described in initial maintenance, as well as your method of finish (paint, stain or water sealer).
- Future periodic preventative maintenance - Depending on the location of your fence with regard to direct sun exposure, foliage coverage, etc., it may be sufficient to clean/brighten and recoat every two years. A power washer may be necessary to properly clean your fence.



Figure 6

The diagrams and instructions in this brochure are for illustration purposes only and are not meant to replace a licensed professional. Any construction or use of the product must be in accordance with all local zoning and/or building codes. The consumer assumes all risks and liability associated with the construction or use of this product. The consumer or contractor should take all necessary steps to ensure the safety of everyone involved in the project, including, but not limited to, wearing the appropriate safety equipment. EXCEPT AS CONTAINED IN THE WRITTEN LIMITED WARRANTY, THE WARRANTOR DOES NOT PROVIDE ANY OTHER WARRANTY, EITHER EXPRESS OR IMPLIED, AND SHALL NOT BE LIABLE FOR ANY DAMAGES, INCLUDING CONSEQUENTIAL DAMAGES.