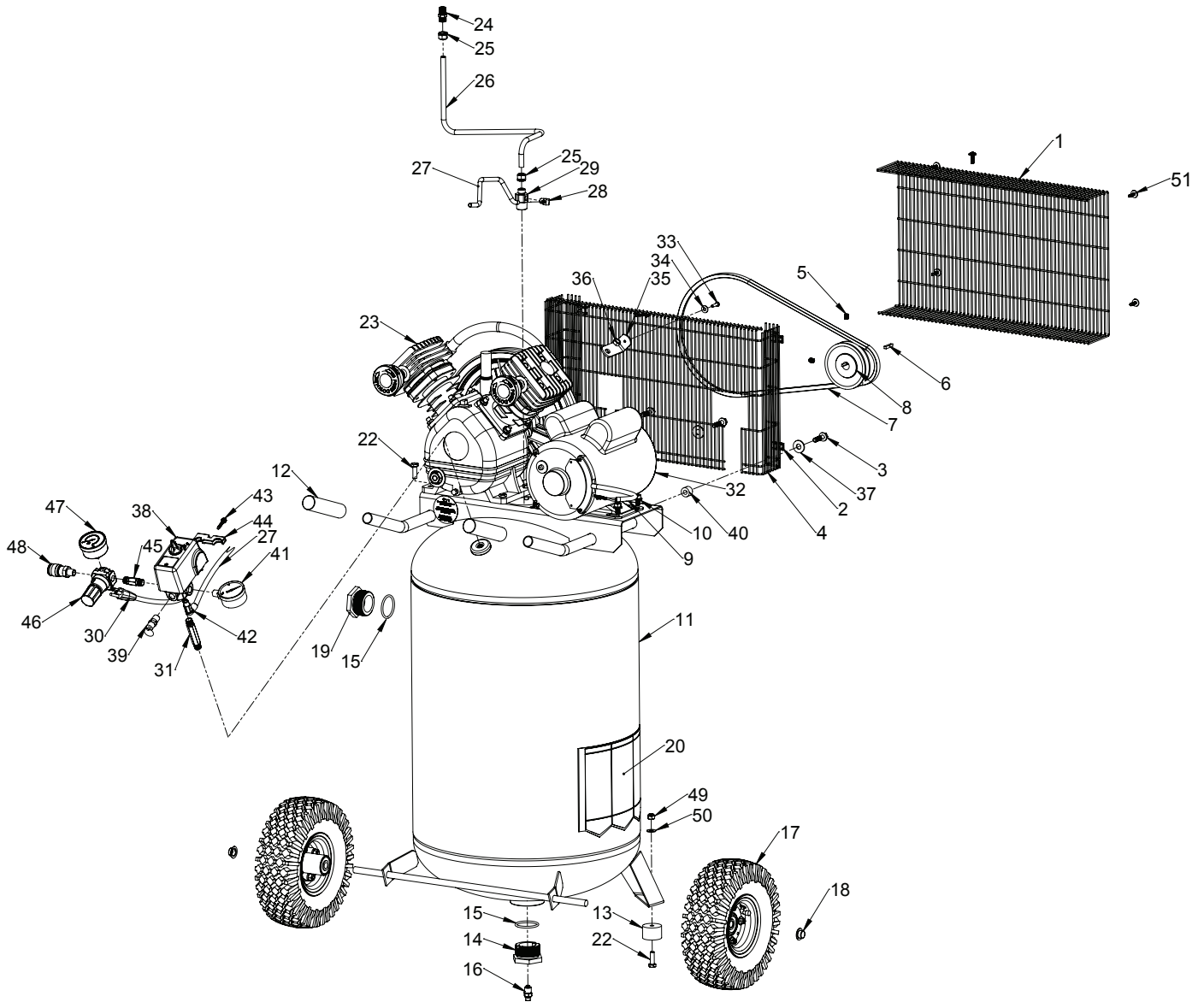


## Parts drawing for DXCMLA1683066



### Parts list for DXCMLA1683066

Item Number	Part Number	Description	Qty. Required
1	125-0198	Beltguard (outer).	1
2	103-0205	U-nut, spring	5
3	059-0410	Bolt, 5/16-18 x 1.25	3
4	125-0197	Beltguard (inner)	1
5	061-0238	Setscrew, 5/16"-18 x 3/8"	2
6	146-0016	Key	1
7	007-0010	V-Belt, 4L-460	1
8	006-0018	Pulley	1
9	026-0233	Cord, interconnect	1
10	059-0012	Bolt, 5/16 x .50	4
11	153-0184	Tank assembly (includes items 12-19)	1
12	093-0031	Handle grip	2
13	094-0192	Vibration pad	2
14	512-0035	Bushing, 1-1/2 NPSM x 1/4 NPT	1

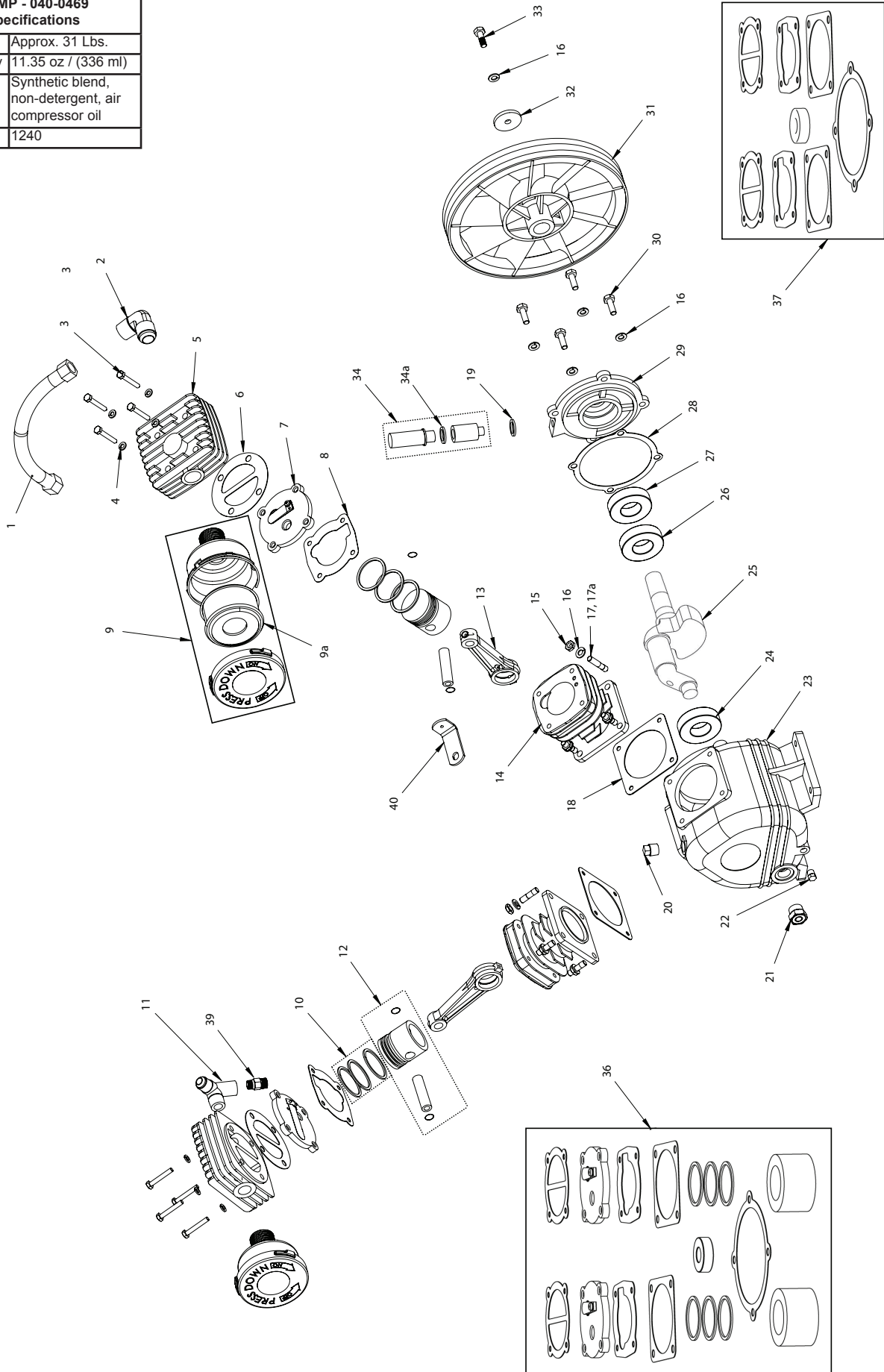
Item Number	Part Number	Description	Qty. Required
15	513-0002	O-Ring 1-1/2	2
16	072-0006	Petcock	1
17	095-0038	Wheel, 10" x 3.5	2
18	033-0001	Hubcap 1/2"	2
19	512-0039	Pipe plug, 1-1/2 NPSM	1
20	098-3870	Label, warning	1
21	098-2856 (not shown)	Label, warning	1
22	059-0009	Bolt, 5/16" x 1"	6
23	040-0386 (See pages 3 & 4)	Pump assembly, V-Twin	1
24	068-0092	Adapter, straight 1/4 NPT to 9/16-24	1
25	058-0007	Nut, 3/8" O.D. tube	2
26	145-0478	Tube, transfer	1
27	145-0324	Tube, bleeder 1/4" x 28"	1
28	064-0056	Elbow, 90° brass	1
29	031-0037	Check Valve, 1/2" x 3/8"	1
30	026-0030	Cord, power	1
31	065-0005	Nipple, 1/4" x 2-1/2"	1
32	160-0345	Motor (BT198K18.00M) (See capacitor table below)	1
or	160-0354	Motor (56S34D1.8M) (See capacitor table below)	
33	061-0212	Screw, #10-32 x 3/4"	1
34	060-0146	Washer #10	1
35	114-0619	Bracket, beltguard	1
36	058-0174	Nut, M8	1
37	060-0023	Washer, 3/8"	3
38	034-0184	Switch	1
39	136-0077	Valve, safety	1
40	060-0217	Spacer	3
41	032-0025	Gauge	1
42	136-0090	Bleeder valve	1
43	061-0216	Screw	1
44	071-0033	Strain relief	1
45	065-0033	Nipple, 1/4" x 1.69"	1
46	019-0282	Regulator	1
47	032-0092	Gauge	1
48	036-0031	Quick connect	1
49	058-0129	Nut, 5/16-18	2
50	060-0156	Washer, 5/16	2
51	061-0255	Screw, M5 x 20mm	5

### CAPACITORS

	Start capacitor	Start capacitor cover	Run capacitor	Run capacitor cover
<b>Better motor capacitors</b>	166-0180 (0901080)	166-0182 (0104045)	166-0181 (0901040)	166-0182 (0104045)
	166-0195 (D250400NNCA)	166-0182 (0104045)	166-0196 (CBB60)	166-0182 (0104045)
	166-0198 (BT198K18-166-0198)	166-0200 (BT198K18-166-0200)	166-0199 (BT198K18-166-0199)	166-0200 (BT198K18-166-0200)
<b>Zhengli motor capacitors</b>	166-0208 (2901)	166-0210 (1401)	166-0209 (1501)	166-0210 (1401)

# Parts drawing for pump 040-0469 (V-TWIN)

PUMP - 040-0469 Specifications	
Weight	Approx. 31 Lbs.
Oil Capacity	11.35 oz / (336 ml)
Lubrication	Synthetic blend, non-detergent, air compressor oil
Max RPM	1240



## Parts list for pump 040-0469 (V-TWIN)

Item Number	Part Number	Description	Qty. Required
1	145-0486	Tube, with compression nuts	1
2	065-0107	Elbow	1
3	061-0238	Socket head cap screw, M6 x 40mm	8
4	060-0224	Washer, M6	8
5	042-0121	Head, cylinder	2
6	046-0302	Gasket, cylinder head	2
7	043-0207	Valve plate assy (includes items 6 & 8)	2
8	046-0303	Gasket, cylinder	2
9	019-0305	Filter assembly (includes item 9A)	2
9A	019-0328	Filter element	2
10	054-0250	Ring Set	2
11	069-0028	Tee fitting	1
12	048-0121	Piston assembly	2
13	047-0099	Rod	2
14	050-0065	Cylinder	2
15	058-0188	Nut, Hex M8	8
16	060-0222	Lock washer, M8	13
17	059-0420	Stud bolt, M8 x 32	8
17a	059-0460	Stud bolt, M8 x 35	1
18	046-0363	Gasket, crankcase	2
19	060-0195	Washer, breather	1
20	056-0078	Oil fill plug	1
21	032-0126	Oil sight glass w/o-ring	1
22	062-0066	Oil drain plug	1
23	049-0061	Crankcase	1
24	051-0103	Bearing, ball 204	1
25	053-0107	Crankshaft	1
26	051-0104	Bearing, ball 205	1
27	046-0306	Oil seal	1
28	046-0364	Gasket, front cover	1
29	045-0059	Carrier	1
30	059-0415	Bolt, M8 x 20	4
31	044-0082	Flywheel, A groove	1
32	060-0225	Washer, Flat	1
33	059-0416	Bolt, M8 x 35	1
34	056-0079	Breather	1
34a	060-0236	Washer, breather	1
35	146-0026	Key <i>not shown</i>	1
36	165-0277	Overhaul kit, (includes items 6-8, 9A, 10, 18, 27 and 28)	1
37	046-0307	Gaskets, complete set (includes items 6, 8, 18, 27 & 28)	1
38	040-0469	Pump assembly (includes items 1-35)	1
39	068-0092	Connector	1
40	114-0619	Bracket	1