

# KitchenAid® Electric Built-in Cooktop

## PRODUCT MODEL NUMBERS

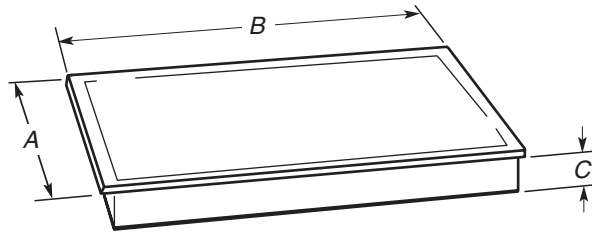
KECC056R	KECC566R
KECC506R	KECC567R
KECC507R	KECC568R
KECC508R	KECV568R

**Electrical:** A 4-wire or 3-wire, single phase, 240 volt, 60 Hz., AC only electrical supply is required on a separate, 40-amp circuit, fused on both sides of the line. Use 8 gauge copper wire.

**NOTE:** The 15" (38.1 cm) model series requires a 20-amp circuit. Use 12 gauge copper wire.

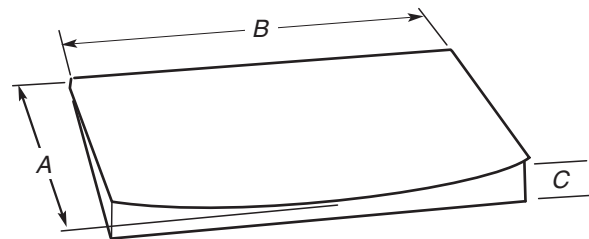
## OVERALL DIMENSIONS

### Straight-edge cooktop



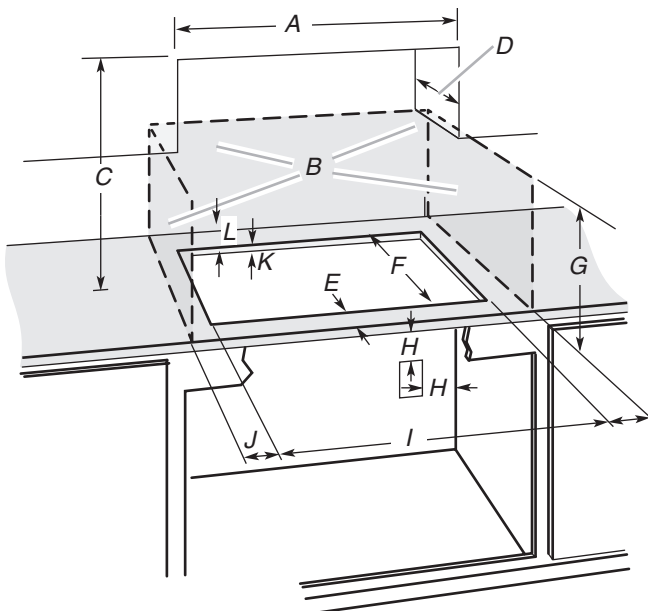
- A. 21<sup>5</sup>/<sub>16</sub>" (54.1 cm)
- B. 16<sup>9</sup>/<sub>16</sub>" (42.1 cm)  
30<sup>3</sup>/<sub>16</sub>" (77.1 cm)  
36<sup>5</sup>/<sub>16</sub>" (92.3 cm)
- C. 2<sup>7</sup>/<sub>8</sub>" (7.3 cm)

### Curved-edge cooktop

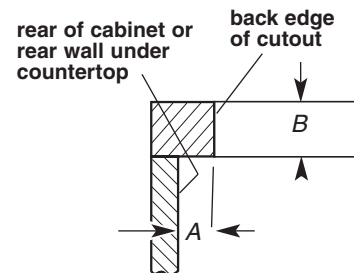


- A. 22<sup>1</sup>/<sub>8</sub>" (56.1 cm)
- B. 16<sup>9</sup>/<sub>16</sub>" (42.1 cm)  
30<sup>3</sup>/<sub>16</sub>" (77.1 cm)  
36<sup>5</sup>/<sub>16</sub>" (92.3 cm)
- C. 2<sup>7</sup>/<sub>8</sub>" (7.3 cm)

## CABINET OPENING DIMENSIONS



### For model 15" (38.1 cm) model only:



- A. 1<sup>1</sup>/<sub>16</sub>" (1.7 cm) min.
- B. 1<sup>1</sup>/<sub>2</sub>" (3.8 cm) max.

- F. 20<sup>1</sup>/<sub>2</sub>" (52 cm)
- G. 18" (45.7 cm) minimum clearance from upper cabinet to countertop within minimum horizontal clearances to cooktop
- H. Junction box or outlet; 12" (30.5 cm) minimum from bottom of countertop; 10" (25.4 cm) from right side of cabinet
- I. 14<sup>1</sup>/<sub>2</sub>" (36.8 cm) on 15" (38.1 cm) models; 29<sup>1</sup>/<sub>2</sub>" (74.9 cm) on 30" (76.2 cm) models; 35<sup>1</sup>/<sub>2</sub>" (90.2 cm) on 36" (91.4 cm) models
- J. 1" (2.5 cm) minimum distance to nearest left and right side combustible surface above cooktop
- K. 1<sup>1</sup>/<sub>2</sub>" (3.8 cm) max. counter thickness on 15" (38.1 cm) models. See following illustration.
- L. 1" (2.5 cm) minimum clearance between back wall and countertop

- A. 15" (38.1 cm) on 15" (38.1 cm) models; 30" (76.2 cm) on 30" (76.2 cm) models; 36" (91.4 cm) on 36" (91.4 cm) models
- B. Combustible area above countertop (shown by dashed box above)
- C. 30" (76.2 cm) minimum clearance between top of cooktop platform and bottom of unprotected wood or metal cabinet (24" [61 cm] minimum clearance if bottom of wood or metal cabinet is protected by not less than 1/4" [0.6 cm] flame retardant millboard covered with not less than No. 28 MSG sheet steel, 0.015" [0.04 cm] stainless steel, or 0.024" [0.06 cm] aluminum or 0.020" [0.05 cm] copper)
- D. 13" (33 cm) recommended upper cabinet depth
- E. 2" (5.1 cm)