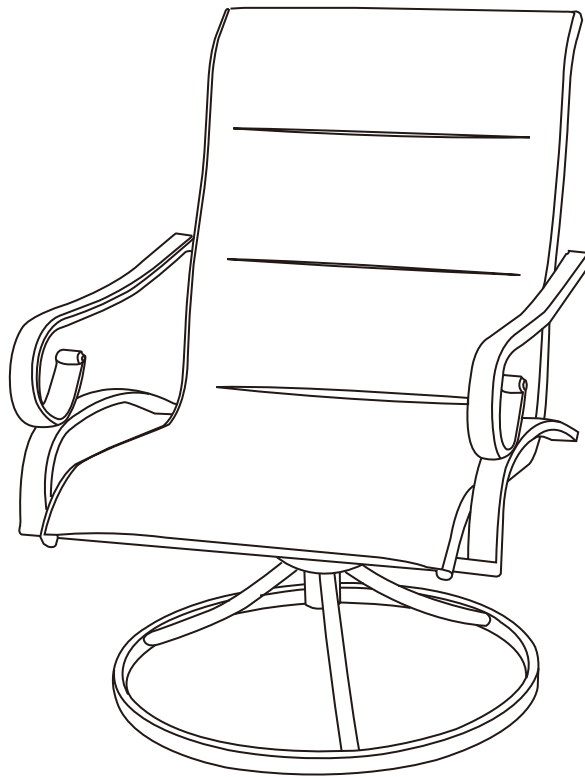




1003159678
Model RTS877Z

USE AND CARE GUIDE

Crestridge Padded Sling Swivel Lounge Chair - Conley Denim (2-Pack)



Questions, problems, missing parts? Before returning to the store,
call Hampton Bay Customer Service.
8 a.m. - 7 p.m., EST, Monday - Friday, 9 a.m. - 6 p.m., EST, Saturday

1-855-HD-HAMPTON

HAMPTONBAY.COM

THANK YOU

We appreciate the trust and confidence you have placed in Hampton Bay through the purchase of this dining set. We strive to continually create quality products designed to enhance your home. Visit us online to see our full line of products available for your home improvement needs. Thank you for choosing Hampton Bay!

Table of Contents


Table of Contents.....	2	Swivel Rocker Chair Assembly.....	5
Safety Information	2	Care and Cleaning.....	10
Product Caution	2		
Safety Warnings	2		
Warranty	2		
What is Covered	2		
What is Not Covered	2		
Pre-Assembly	3		
Planning Assembly	3		
Hardware Included	3		
Swivel Rocker Chair Package Contents	4		


Safety Information


PRODUCT CAUTION

This set was made for the explicit purpose of providing outdoor functions and is not to be used as a toy. This product is intended for normal outdoor use; however, the manufacturer recommends storing and / or covering this set when any formidable / severe weather is approaching. Do not locate this product near open flames. Do not use this product as a support. Do not shake, lean or climb on the product. Children under the age of 10, near the product, should be supervised by a competent adult at all times.

SAFETY WARNINGS

 **WARNING:** Weight limit for the swivel rocker chairs is 250 lb (113.39 kg) for each seat.

 **CAUTION:** When not in use, secure the product in a cool and covered location.

 **WARNING:** Please keep children out of the assembly area before assembly.

 **WARNING:** Do not place heavy objects on the swivel rocker chair.

Warranty

2 YEAR FRAME AND 2 YEAR FABRIC LIMITED WARRANTY

WHAT IS COVERED

We warrant the frames to be free of manufacturing defects to the original purchaser for two years, and a two year limited warranty for the fabric.

WHAT IS NOT COVERED

It remains the customer's responsibility for freight and packaging charges to and from our service center. This warranty does not cover commercial use, hardware, acts of nature, fire, freezing and abusive use. In addition, purchased parts are not covered under this warranty. We reserve the right to make substitutions with similar merchandise, if the model in question is no longer in production.

Contact the Customer Service Team at 1-855-HD-HAMPTON or visit www.hamptonbay.com.

Pre-Assembly

PLANNING ASSEMBLY

Read all instructions before assembly.

To avoid damaging this product, assemble it on a soft, non-abrasive surface such as carpet or cardboard.

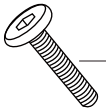


NOTE: More than one person may be required to assemble this product.

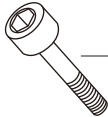
HARDWARE INCLUDED



NOTE: Hardware not shown to actual size.



AA



BB



CC



DD



EE



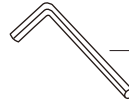
FF



GG



HH



II

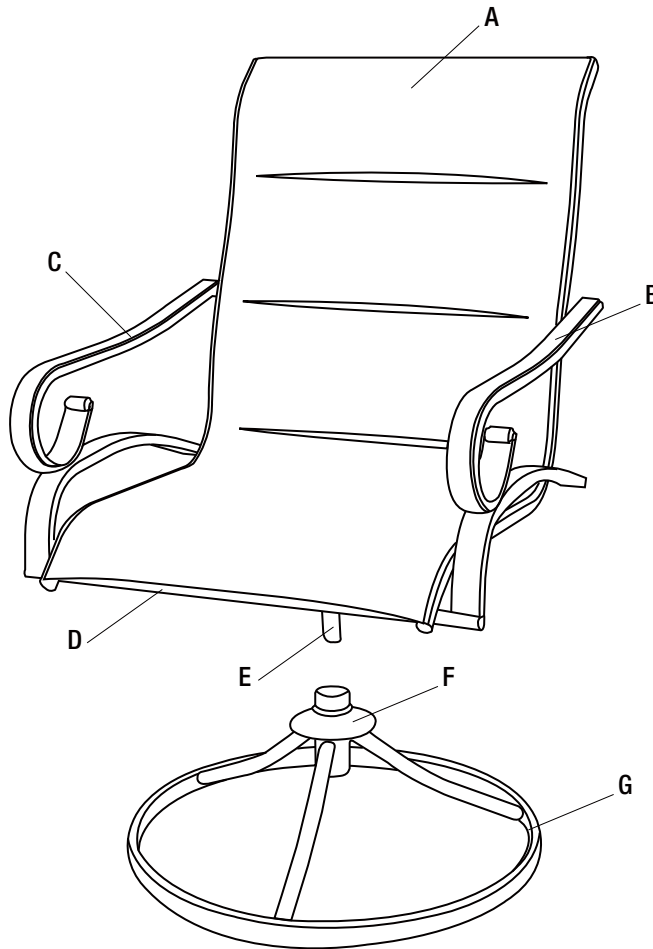


JJ

Part	Description	Quantity
AA	M6x35 BOLT	7+1
BB	M8x45 BOLT	4+1
CC	d8.5xD17x1.6 WASHER	8+1
DD	d6.5xD13x1.0 WASHER	6+1
EE	d6.5xD30x2.0 WASHER	1+1
FF	WASHER	2
GG	M8x1.25 JAM NUT	4+1
HH	4 mm ALLEN KEY WRENCH	1
II	6 mm ALLEN KEY WRENCH	1
JJ	10 & 13 mm ALLEN KEY WRENCH	1

Pre-Assembly (continued)

SWIVEL ROCKER CHAIR PACKAGE CONTENTS



Part	Description	Quantity
A	Seat Assembly	1
B	Left Arm	1
C	Right Arm	1
D	Support	1
E	Seat Post	1
F	Decorative Plastic Cover D130	1
G	Base Assembly	1

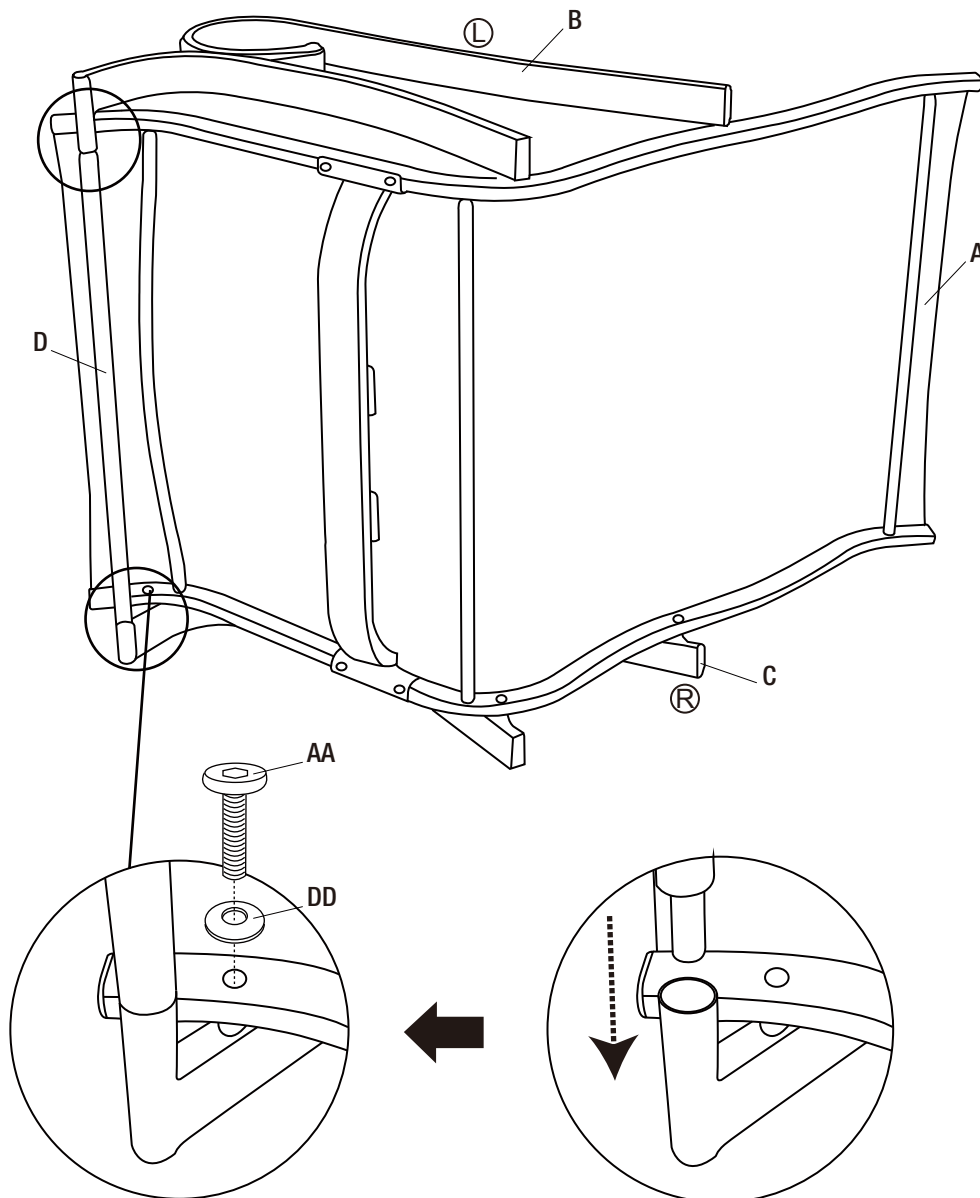
Swivel Rocker Chair Assembly

1 Connecting the swivel rocker chair seat assembly to the swivel rocker chair legs and support

- Place the right arm (C) onto a non-abrasive surface, such as a carpet.
- Insert the support (D) into the arms (B and C). At the front of the seat assembly (A), fasten the arms (B and C) to the seat assembly (A) by using M6x35 bolts (AA) and d6.5xD13x1.0 washers (DD).



NOTE: Loosely tighten all the bolts using the hex wrench (HH).



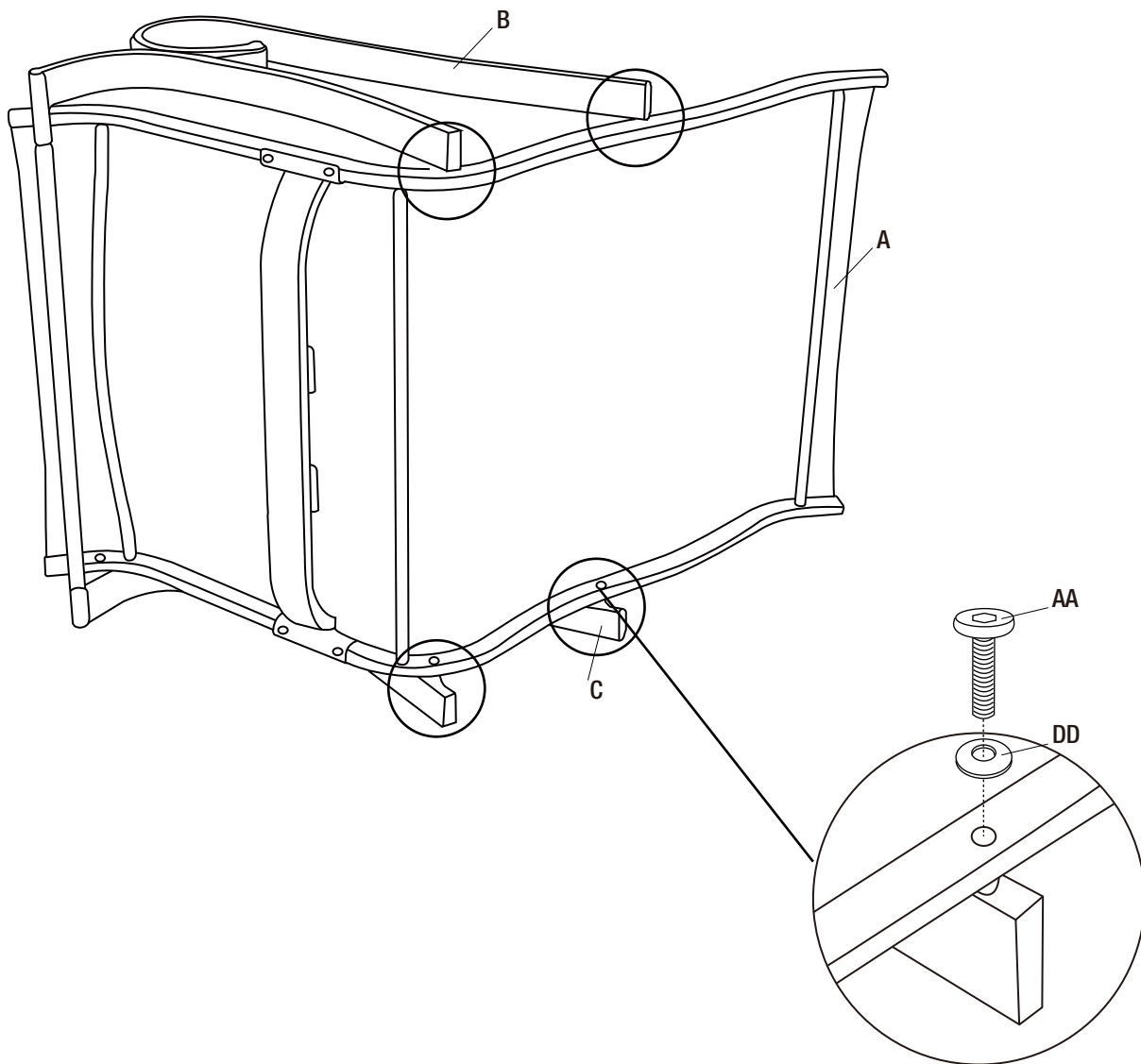
Swivel Rocker Chair Assembly (continued)

2 Connecting the swivel rocker chair seat assembly to the swivel rocker chair arms

- Fasten the arms (B and C) to the back of the seat assembly (A) by using M6x35 bolts (AA) and d6.5xD13x1.0 washers (DD).



NOTE: Loosely tighten all the bolts using the hex wrench (HH).



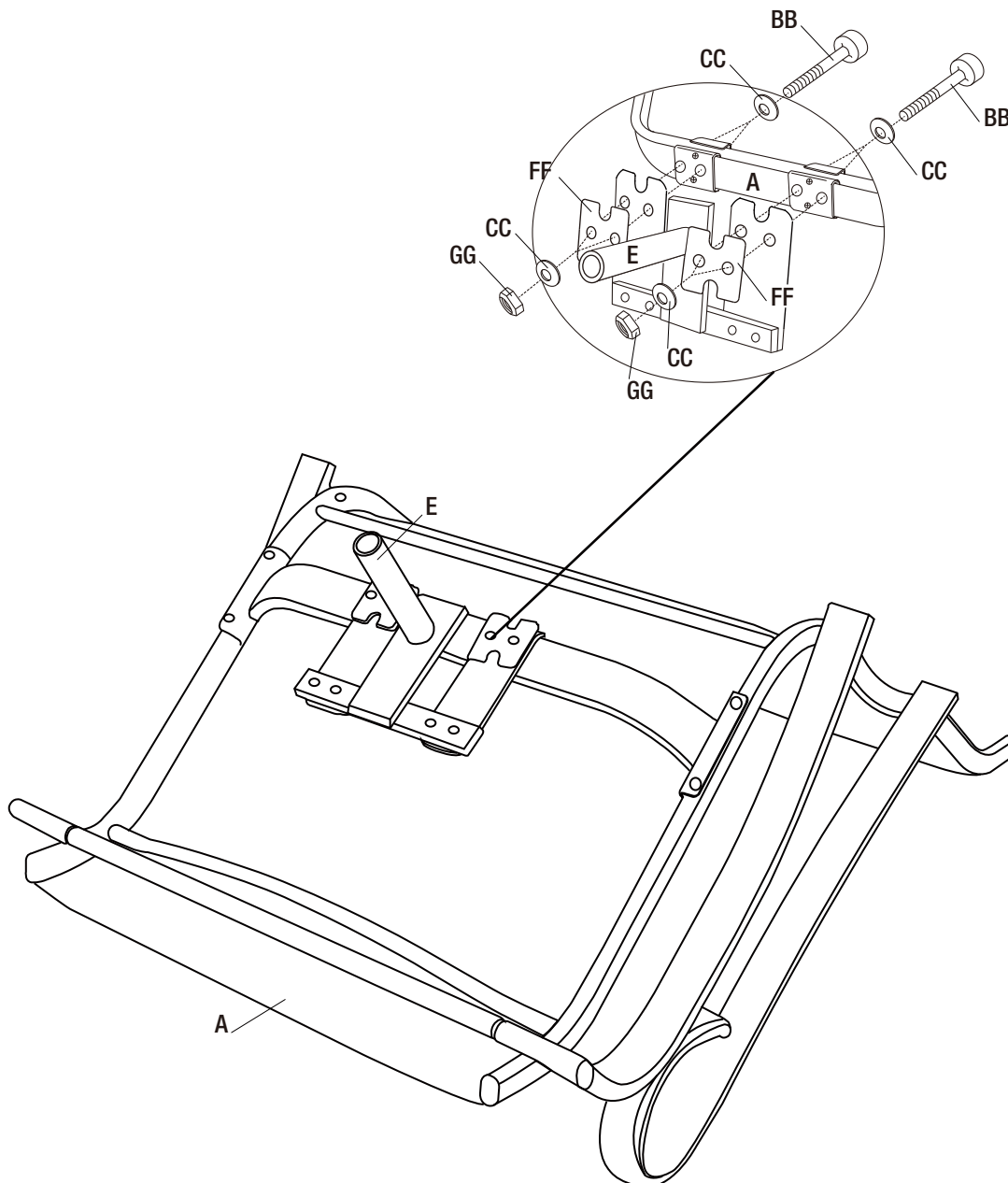
Swivel Rocker Chair Assembly (continued)

3 Connecting the swivel rocker chair seat post to the swivel rocker chair seat assembly

- Turn the swivel rocker chair upside down and place the seat post (E) onto the brace of the seat assembly (A). Fasten them together by using M8x45 bolts (BB), d8.5xD17x1.6 washers (CC and FF) and M8x1.25 jam nuts (GG).



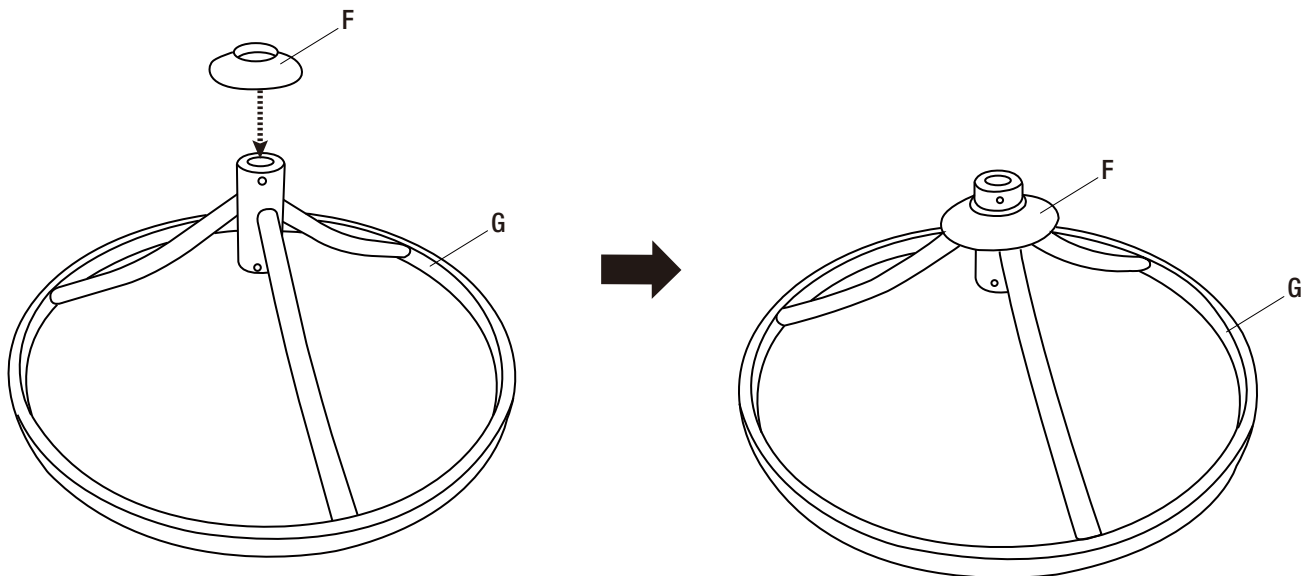
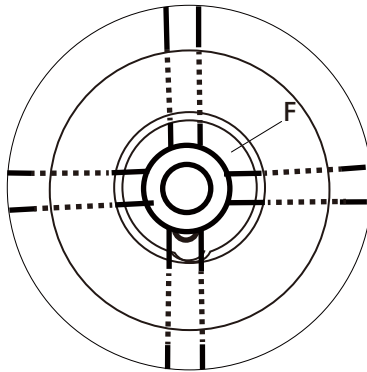
NOTE: Loosely tighten all the bolts using the hex wrenches (II and JJ).



Swivel Rocker Chair Assembly (continued)

4 Connecting the swivel rocker chair decorative plastic cover to the swivel rocker chair base assembly

- Place the decorative plastic cover (F) on the base assembly (G).



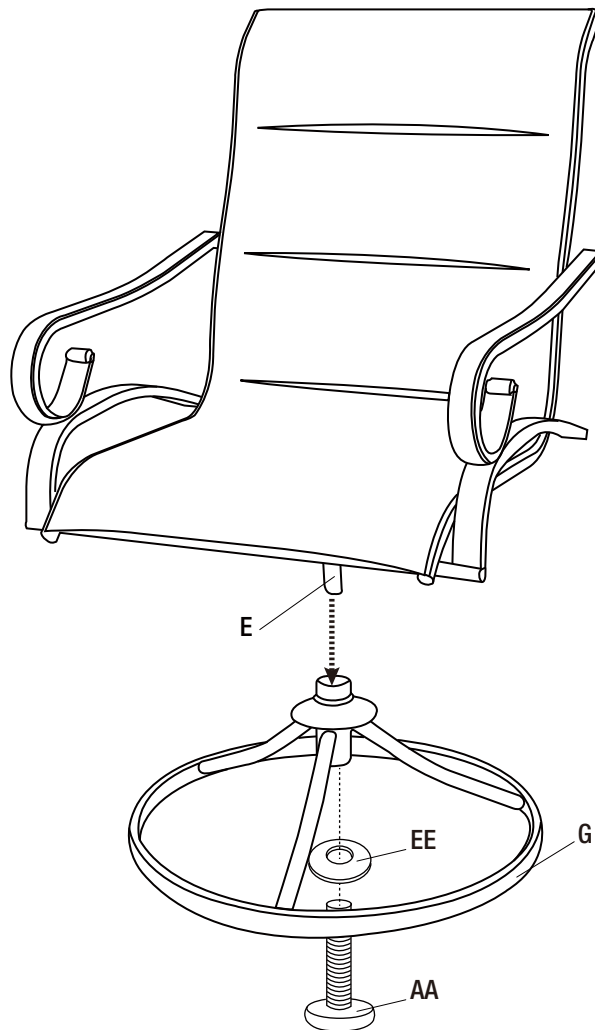
Swivel Rocker Chair Assembly (continued)

5 Connecting the swivel rocker chair seat post to the swivel rocker chair base assembly

- Insert the seat post (E) into the hole located in the center of the base assembly (G). Fasten them together by using M6x35 bolts (AA) and d6.5xD30x2.0 washers (EE).



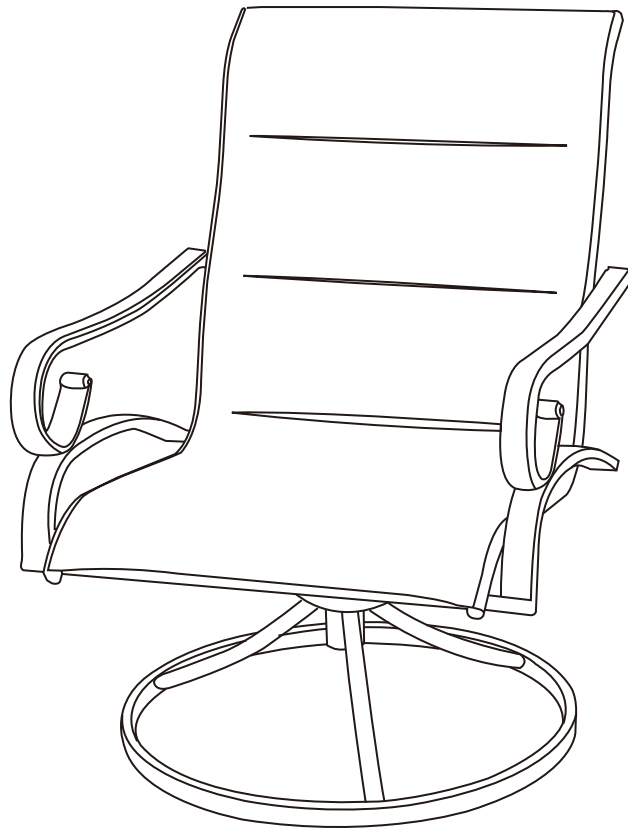
NOTE: Loosely tighten all the bolts using the hex wrench (HH).



Swivel Rocker Chair Assembly (continued)

6 Tightening the bolts

- Once all of the bolts are in place, fully tighten the bolts.
- Ensure all connections are secure before use.



Care and Cleaning

- For best results, clean the set with a damp cloth and dry thoroughly. This will help prevent mildew by removing dirt particles that may accumulate.
- Do not clean with abrasive materials, bleach, or solvents.
- Store the set in a dry, sheltered place when not in use.
- Keep the set away from fire, extreme heat, freezing conditions, and inclement weather such as rain, hail, sleet, snow, or wind.



Questions, problems, missing parts? Before returning to the store,
call Hampton Bay Customer Service.
8 a.m. - 7 p.m., EST, Monday - Friday, 9 a.m. - 6 p.m., EST, Saturday

1-855-HD-HAMPTON

HAMPTONBAY.COM

Retain this manual for future use.