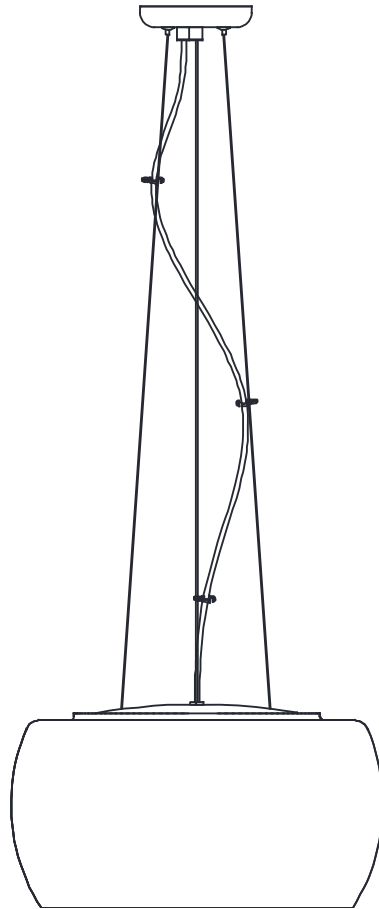


USE AND CARE GUIDE

5-LIGHT LED PENDANT



Questions, problems, missing parts? Before returning to the store,
call Home Decorators Collection Customer Service
8 a.m. - 7 p.m., EST, Monday-Friday, 9 a.m. - 6 p.m., EST, Saturday

1-800-986-3460

HOMEDEPOT.COM/HOMEDECORATORS

THANK YOU

We appreciate the trust and confidence you have placed in Home Decorators Collection through the purchase of this light fixture. We strive to continually create quality products designed to enhance your home. Visit us online to see our full line of products available for your home improvement needs. Thank you for choosing Home Decorators Collection!

Table of Contents

Table of Contents.....	2	Hardware Included.....	3
Safety Information.....	2	Package Contents	4
Warranty.....	2	Installation	5
Five (5) Year Warranty	2	Care and Cleaning	7
What is Covered	2	Troubleshooting.....	7
What is Not Covered	2	FCC statement	7
Pre-Installation	3	Service Parts	8
Planning Installation	3	Model Type	8
Tools Required.....	3		

Safety Information

READ AND SAVE THESE INSTRUCTIONS.

- For your protection and safety, carefully read and understand the information provided in this manual completely before attempting to assemble, install, or operate this product. Failure to do so could lead to electrical shock, fire, or other injuries that could be hazardous or even fatal.
- Before touching any wire, use a voltage tester to make sure it is not live.
- When replacing fuses, turn off the main power first. Make sure your hands and feet are dry, and place one hand behind your back to prevent electricity from making a complete circuit through your chest. Touch a plug fuse only by its insulated rim. Remove cartridge fuses with a fuse puller.
- Use tools with insulated handles and ladders made of wood or fiberglass.
- To protect children, place a safety cover over any unused outlets.



DANGER: Before starting installation of this fixture or removal of a previous fixture, disconnect the power by turning off the circuit breaker, removing the fuse at the fuse box, or tripping the breaker that controls that circuit. Tape a sign to the panel warning others to leave the circuit alone while you work.



CAUTION: CONSULT A QUALIFIED ELECTRICIAN IF YOU HAVE ANY ELECTRICAL QUESTIONS. If you have any non-electrical questions about this fixture, please call our Customer Service Team at 1-800-986-3460 or visit HOMEDEPOT.COM/HOMEDECORATORS. Please reference your SKU (1002 270 276 / 1001 998 186) or UPC (802513171617).

Warranty

FIVE (5) YEAR WARRANTY

WHAT IS COVERED

The manufacturer warrants this fixture to be free from defects in materials and workmanship for a period of five (5) years from date of purchase. This warranty applies only to the original consumer purchaser and only to products used in normal use and service. If this product is found to be defective, the manufacturer's only obligation, and your exclusive remedy, is the repair or replacement of the product at the manufacturer's discretion, provided that the product has not been damaged through misuse, abuse, accident, modifications, alteration, neglect, or mishandling. This warranty shall not apply to any product that is found to have been improperly installed, set-up, or used in any way not in accordance with the instructions supplied with the product. This warranty shall not apply to a failure of the product as a result of an accident, misuse, abuse, negligence, alteration, faulty installation, or any other failure not relating to faulty material or workmanship. This warranty shall not apply to the finish on any portion of the product, such as surface and/or weathering, as this is considered normal wear and tear.

WHAT IS NOT COVERED

The manufacturer does not warrant and specifically disclaims any warranty, whether expressed or implied, of fitness for a particular purpose, other than the warranty contained herein. The manufacturer specifically disclaims any liability and shall not be liable for any consequential or incidental loss or damage, including but not limited to any labor/expense costs involved in the replacement or repair of said product.

Contact the Customer Service Team at 1-800-986-3460 or visit HOMEDEPOT.COM/HOMEDECORATORS.

Pre-Installation

PLANNING INSTALLATION

Read all instructions before installing.

To avoid damaging this product, place it on a soft, non-abrasive surface, such as carpet or cardboard.

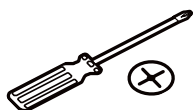


IMPORTANT: Inspect the wire insulation for any cuts, abrasions, or exposed copper that may have occurred during shipping. If there is a defect in the wire, do not attempt installation. Please call the Customer Service Team at 1-800-986-3460.



NOTE: The LED has been permanently installed in this lamp. The LED does not need to be replaced. Do not attempt to remove or replace the LED. Do not touch the LED or electrical connection directly with hands.

TOOLS REQUIRED (NOT INCLUDED)



Phillips Screwdriver



Wire Stripper



Pliers



Safety Goggles



Electrical Tape



Flat head Screwdriver

TOOLS REQUIRED (INCLUDED)



Gloves



NOTE: Please remove the protective film before hanging the crystal drops.

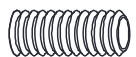
HARDWARE INCLUDED



NOTE: Hardware not shown to actual size.



AA



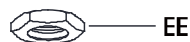
BB



CC



DD



EE



FF



GG



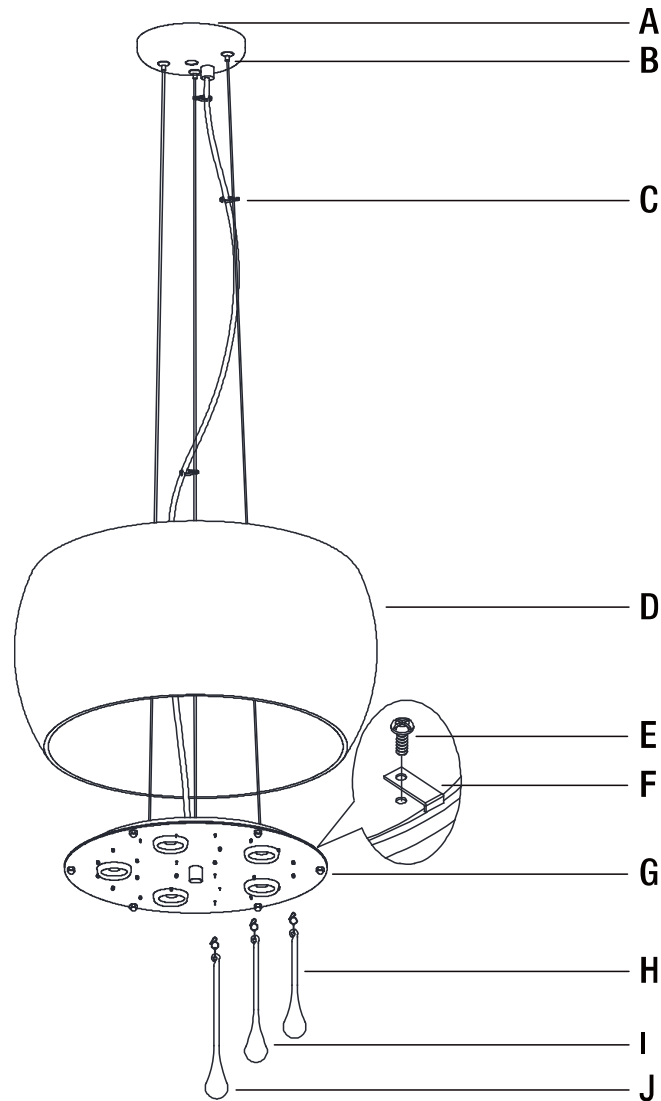
HH

Part	Description	Quantity
AA	Mounting bracket	1
BB	Threaded tube	1
CC	Green ground screw (Preassembled to mounting bracket (AA))	1
DD	Lock washer	1

Part	Description	Quantity
EE	Hex nut	1
FF	Outlet box screw	2
GG	Wire connector	3
HH	Finial	1

Pre-Installation (continued)

PACKAGE CONTENTS



Part	Description	Quantity
A	Canopy	1
B	Button	3
C	Wire clip	5
D	Glass shade	1
E	Screw (Preassembled to fixture body (G))	3

Part	Description	Quantity
F	"L" bracket (Preassembled to fixture body (G))	3
G	Fixture body	1
H	Small crystal drop	16
I	Medium crystal drop	8
J	Big crystal drop	4

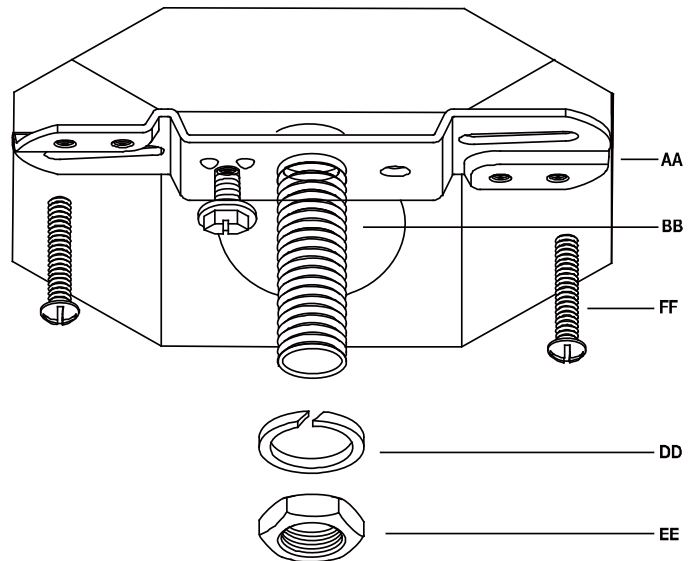
Installation

1 Preparing the mounting bracket

- Fasten the mounting bracket (AA) onto the outlet box using two outlet box screws (FF).
- Screw the threaded tube (BB) into the mounting bracket (AA), and secure it using the lock washer (DD) and hex nut (EE).

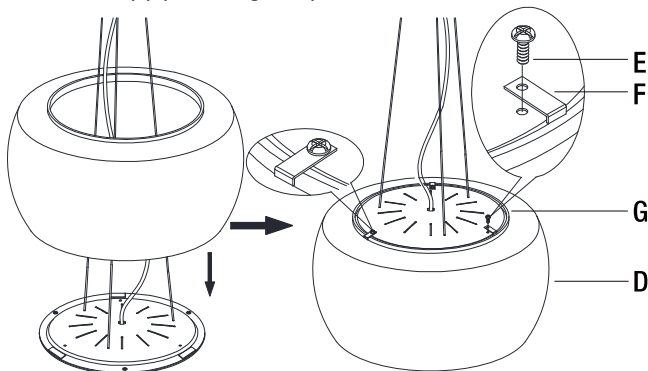


NOTE: The threaded tube (BB) should extend long enough to protrude through the canopy (A) when it is mounted. (Adjust as needed.)



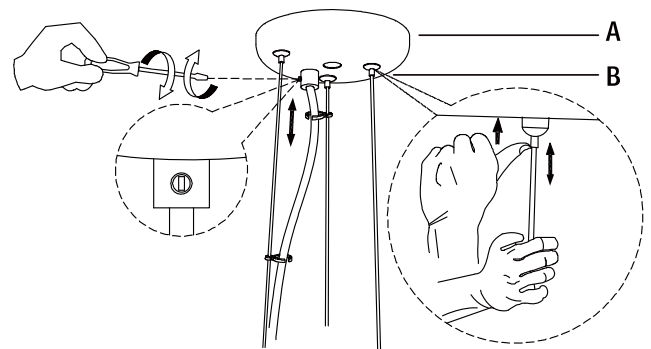
2 Assembling the glass shade to the fixture body

- Loosen the three screws (E) and slip the "L" brackets (F).
- Place the glass shade (D) over the fixture body (G). Slip the "L" brackets (F) to hold the glass shade (D) and fasten the screws (E) (do not tighten.)



3 Adjusting the height of the fixture body

- Adjusting the steel wires length:
 1. Reduce the steel wires length: Push the steel wires into the canopy (A) to adjust the steel wires to the desired length.
 2. Increase the steel wires length: Press the buttons (B) under the canopy (A), pull the steel from the canopy to adjust the steel wires to desired length. Release the buttons (B) to hold the steel wires in position, as shown in the diagram.
- Loosen the plastic screw by using a flat head screwdriver (not provided) and adjust the fixture wire to the desired length. Then tighten the plastic screw back into the hole as shown in the diagram.



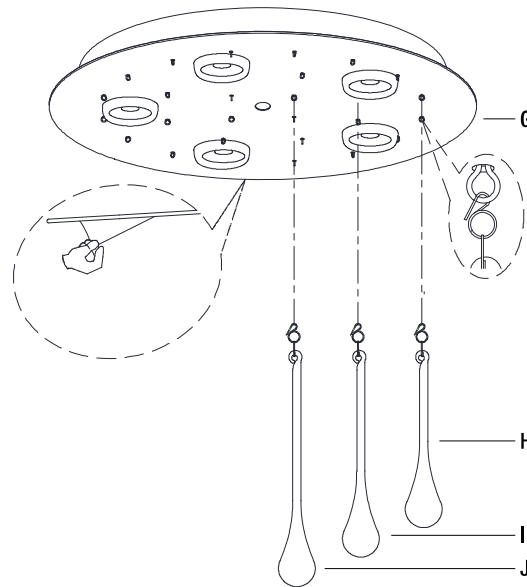
Installation (continued)

4 Hanging the crystal drops

- Hook the crystal drops (H), (I), and (J) to the fixture body (G) as the diagram shows.

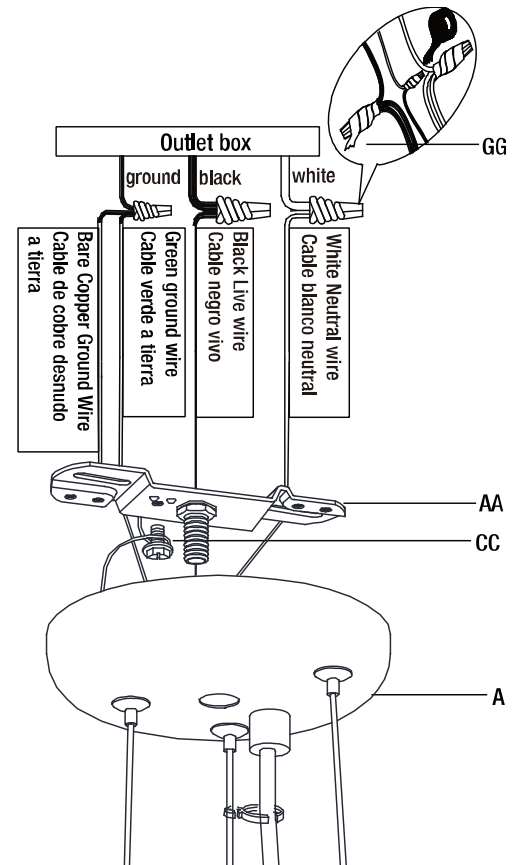


NOTE: Please remove the protective film before hanging the crystal drops.



5 Connecting the wires

- Strip 3/4 in. of insulation from wire ends.
- Connect the black live wire from the canopy (A) to the black wire from the outlet box and the white neutral wire from the canopy (A) to the white wire from the outlet box. Twist the stripped ends together with pliers.
- Loop the bare copper ground wire from the canopy (A) under the head of the green ground screw (CC) on the round mounting bracket (AA), then connect it and green ground wire from the canopy (A) together to the ground conductor from the supply circuit.
- Cover the wire connections with the wire connectors (GG). Tape the wire connectors (GG) and wires together. Carefully position all wires inside the outlet box.



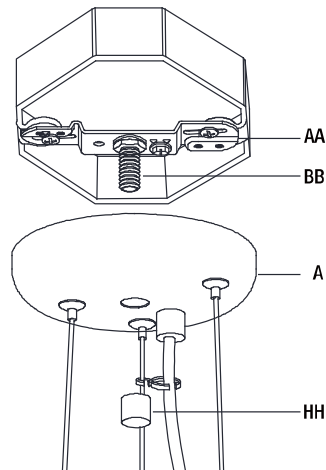
NOTE: The black live wire is labeled and marked "Black live wire/ Cable negro vivo," the white neutral wire is labeled and marked "White neutral wire/ Cable blanco neutral," and the green ground wire is labeled and marked "Green ground wire/ Cable verde a tierra." The bare copper ground wire from the canopy is also labeled and marked "Bare copper ground Wire/ Cable de cobre desnudo a tierra."



Installation (continued)

6 Attaching the canopy body to the outlet box

- Place the canopy (A) over the outlet box and allow the threaded tube (BB) to come through the hole of the canopy (A). Tighten the finial (HH) to the protruding threaded tube (BB) on the mounting bracket (AA) until the canopy (A) is held firmly against the ceiling.



Care and Cleaning

- Do not use any cleaners with chemicals, solvents, or harsh abrasives. Use only a dry, soft cloth to dust or wipe carefully.
- To clean the fixture, disconnect power by turning off the circuit breaker or by removing the fuse at the fuse box. Use a dry or slightly dampened, clean cloth to wipe the exterior surface of the fixture.

Troubleshooting

Problem	Possible Cause	Solution
The LED will not light.	The LED is burned out.	Discontinue the use of the lamp.
	The power is off.	Ensure the power supply is turned on.
	The power cord is not plugged in.	Ensure the power cord is plugged into the outlet.
	The circuit breaker is off.	Ensure the circuit breaker is in the "ON" position.
The fuse blows, or the circuit breaker trips, when the light is turned on.	There are crossed wires, or the power wire is grounding out.	Discontinue use of the lamp. Check the wire connections. Contact a qualified electrician or call the Customer Care Service Team at 1-800-986-3460.

FCC Statement

This device complies with part 15 of the FCC Rules. Operation is subject to the following two conditions:

- (1) This device may not cause harmful interference, and
- (2) this device must accept any interference received, including interference that may cause undesired operation.



CAUTION: Any changes or modifications not expressly approved by the party responsible for compliance could void the user's authority to operate the equipment.

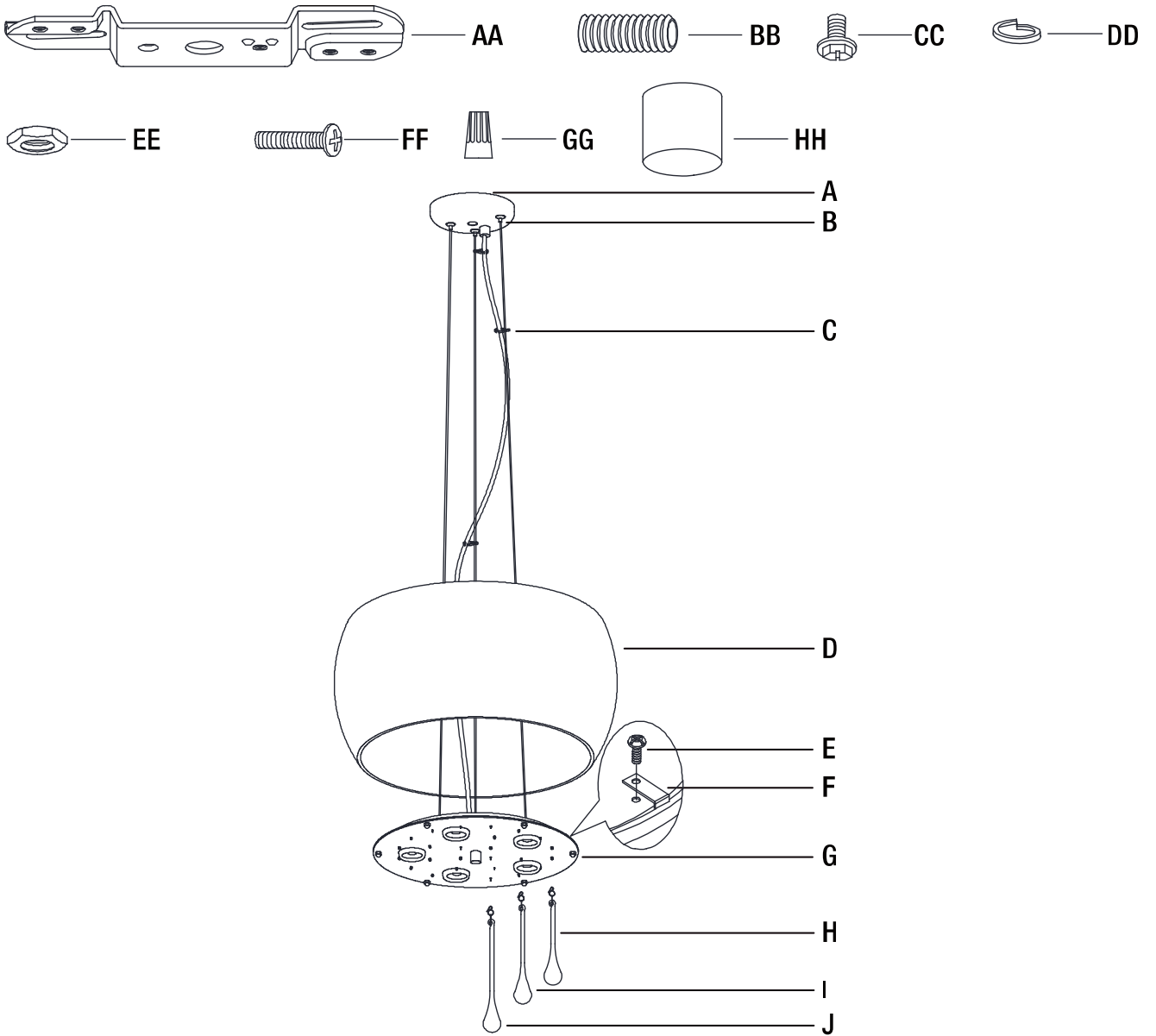


NOTE: This equipment has been tested and found to comply with the limits for a Class B digital device, pursuant to part 15 of the FCC Rules. These limits are designed to provide reasonable protection against harmful interference in a residential installation. This equipment generates, uses and can radiate radio frequency energy and, if not installed and used in accordance with the instructions, may cause harmful interference to radio communications. However, there is no guarantee that interference will not occur in a particular installation. If this equipment does cause harmful interference to radio or television reception, which can be determined by turning the equipment off and on, the user is encouraged to try to correct the interference by one or more of the following measures:

- Reorient or relocate the receiving antenna.
- Increase the separation between the equipment and receiver.
- Connect the equipment into an outlet on a circuit different from that to which the receiver is connected.
- Consult the dealer or an experienced radio/TV technician for help.

Service Parts

MODEL TYPE: 17161



Part	Description
AA	Mounting bracket
BB	Threaded tube
CC	Green ground screw (Preassembled to mounting bracket (AA))
DD	Lock washer
EE	Hex nut
FF	Outlet box screw
GG	Wire connector
HH	Finial
A	Canopy

Part	Description
B	Push button
C	Wire clip
D	Glass shade
E	Screw (Preassembled to fixture body (G))
F	"L" bracket (Preassembled to fixture body (G))
G	Fixture body
H	Small crystal drop
I	Medium crystal drop
J	Big crystal drop

HOME DECORATORS COLLECTION

Questions, problems, missing parts? Before returning to the store,
call Home Decorators Collection Customer Service
8 a.m. - 7 p.m., EST, Monday-Friday, 9 a.m. - 6 p.m., EST, Saturday

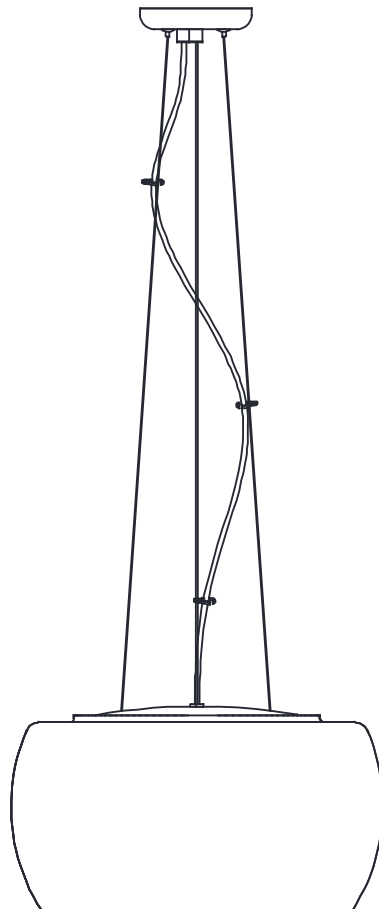
1-800-986-3460

[HOMEDEPOT.COM/HOMEDECORATORS](https://www.homedepot.com/homedecorators)

Retain this manual for future use.

GUÍA DE USO Y MANTENIMIENTO

LÁMPARA COLGANTE LED DE 5 LUCES



¿Preguntas, problemas o piezas faltantes? Antes de regresar a la tienda, llama al Servicio al Cliente de Home Decorators Collection, de 8 a.m. a 7 p.m., hora estándar del Este, de Lunes a Viernes, y de 9 a.m. a 6 p.m., hora estándar del Este, Sábados.

1-800-986-3460

HOMEDEPOT.COM/HOMEDECORATORS

GRACIAS POR TU COMPRA

Apreciamos la confianza que has depositado en Home Decorators Collection al comprar esta lámpara. Nos esforzamos para continuamente crear productos de calidad diseñados para mejorar tu hogar. Visítanos por Internet para ver nuestra línea completa de productos disponibles para las necesidades de mejoras de tu hogar. ¡Gracias por elegir Home Decorators Collection!

Índice

Índice	2	Aparillage Incluido	3
Información de Seguridad.....	2	Contenido del Paquete	4
Garantía.....	2	Instalación	5
Cinco (5) Años de Garantía.....	2	Cuidado y Limpieza	7
Incluido	2	Solución de Problemas	7
No Incluido	2	Declaración de la FCC.....	7
Pre-Instalación	3	Partes de Servicio.....	8
Planificación de Instalación	3	Modelo	8
Herramientas Necesarias.....	3		

Información de Seguridad

LEA CUIDADOSAMENTE Y GUARDE LAS SIGUIENTES INSTRUCCIONES.

- Para su protección y seguridad, lea cuidadosamente y entienda completamente la información suministrada en este manual antes de tratar de armar, instalar u operar este producto. El no seguir las instrucciones puede resultar en un corto circuito, incendio u otros daños peligrosos y en algunos casos fatales.
- Antes de tocar cualquier cable, asegúrese de usar un medidor de voltage para verificar que el cable no este activo.
- Apague la fuente de alimentación principal antes de reemplazar los fusibles. Asegúrese que sus manos y pies esten secos, coloque una mano detrás de la espalda para prevenir un circuito cerrado a través de su pecho. Solo sujete el fusible por la parte aislada. Utilice un extractor de fusibles para remover los cartuchos de fusibles.
- Use herramientas con mango aislado y escaleras de madera o fibra de vidrio.
- Para proteger a los niños, coloque un covertor de seguridad en todas las salidas eléctricas que no están siendo utilizadas.



PELIGRO : Antes de comenzar la instalación de esta lámpara o antes de remover la lámpara existente, apague el interruptor automático del circuito eléctrico, retire el fusible de la caja de fusibles, o dispare el interruptor automático para desconectar la corriente eléctrica. Adhiera una señalización en el panel indicando a otras personas que no deben tocar el circuito mientras usted esté trabajando.



CUIDADO : CONSULTE A UN ELECTRICISTA CALIFICADO SI TIENE ALGUNA PREGUNTA ACERCA DE LA INSTALACIÓN ELÉCTRICA. Si usted tiene alguna otra pregunta acerca de esta lámpara, por favor contacte a nuestro Equipo de Servicio al Cliente al 1-800-986-3460 o visite nuestra página web HOMEDEPOT.COM/HOMEDECORATORS. Refiérase al numero SKU (1002 270 276 / 1001 998 186) o UPC (802513171617).

Garantía

CINCO (5) AÑOS DE GARANTÍA

Incluido

El fabricante garantiza que esta lámpara no presentará defectos materiales o de fabricación por un periodo de cinco (5) años a partir de la fecha de compra. Esta garantía es válida sólo para el comprador original y sólo cubre productos en uso y funciones normales. Si se descubre algún defecto en este producto, la única obligación y solución exclusiva del fabricante, a criterio del mismo, será reparar o reemplazar el producto siempre y cuando el defecto no sea resultado de un mal uso, abuso, accidente, modificaciones, alteraciones, negligencia o manejo indebido. Esta garantía no cubre ningún producto instalado, configurado o usado incorrectamente sin seguir las instrucciones adjuntas al producto. Esta garantía no cubre fallas del producto a consecuencia de un accidente, mal uso, abuso, negligencia, modificaciones o instalaciones defectuosas, o cualquier otra falla no relacionada con defectos materiales o de fabricación. Esta garantía no se aplica al acabado de ninguna parte del producto, como el de la superficie, ni al deterioro por condiciones ambientales, ya que eso se considera un desgaste normal.

No Incluido

El fabricante no garantiza y se exime especialmente de cualquier garantía, explícita o implícita, de la capacidad del producto de asumir una función específica, distinta de la indicada en la garantía incluida en la presente. El fabricante se exime específicamente de cualquier obligación y no es responsable de daños o pérdida directa o indirecta, incluidos cualquier costo de mano de obra o gastos relacionados con el reemplazo o reparación de dicho producto.

Comuníquese con el Equipo de Servicio al Cliente al 1-800-986-3460 o visita HOMEDEPOT.COM/HOMEDECORATORS.

Pre-Instalación

PLANIFICACIÓN DE LA INSTALACIÓN

Lea todas las instrucciones antes de comenzar la instalación.

Para evitar dañar el producto, colócalo sobre una superficie suave, no abrasiva, como por ejemplo una alfombra o cartón.

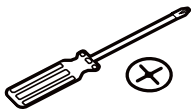


IMPORTANTE : Revisa que el aislamiento de los cables no haya sufrido ningún corte, abrasión ni tenga filamentos de cobre expuestos debidos al envío. Si hay un defecto en el cable suspenda el ensamblaje. Por favor llama a nuestro Equipo de Servicio al Cliente al 1-800-986-3460.



NOTA: El LED en esta lámpara ha sido instalado de forma permanente. No necesita reemplazar el LED. No trate de remover o reemplazar el LED. No toque el LED o las conexiones eléctricas directamente con las manos.

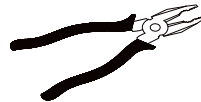
HERRAMIENTAS REQUERIDAS (NO INCLUIDAS)



Destornillador Phillips



Pelador de Cables



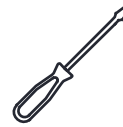
Alicate



Gafas de Seguridad



Cinta Eléctrica



Destornillador Plano

HERRAMIENTAS REQUERIDAS (INCLUIDAS)



Guantes

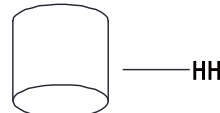
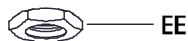


NOTA: Por favor, use guantes durante la instalación con el fin para proteger el accesorio.

HERRAMIENTAS INCLUIDAS



NOTA: Las herramientas no se muestran a escala.

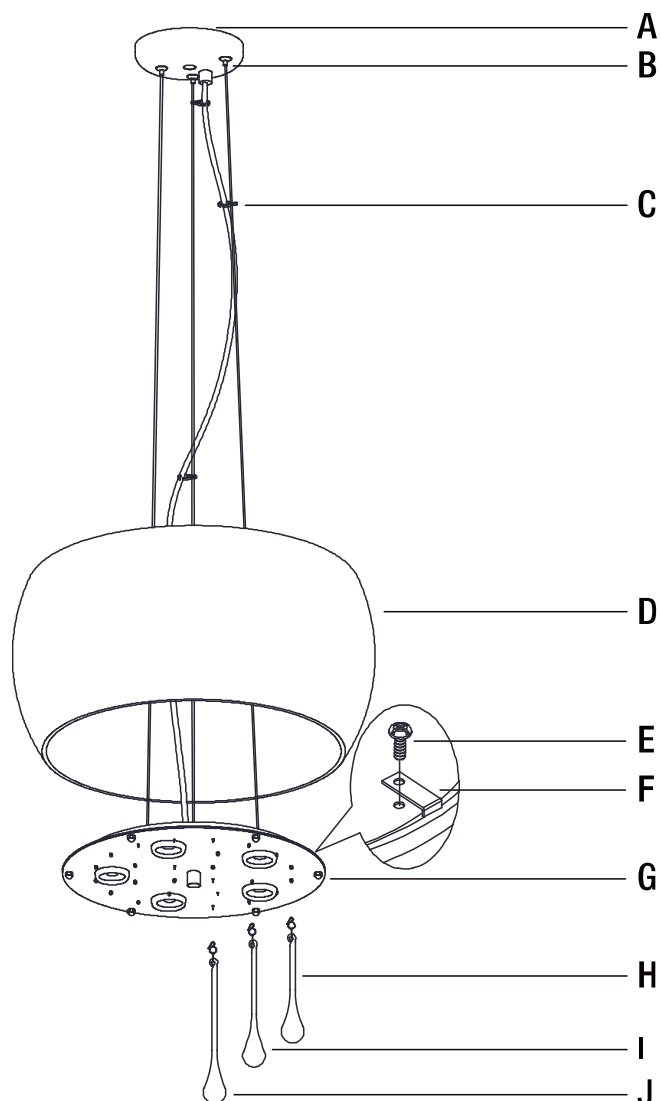


Pieza	Descripción	Cantidad
AA	Soporte de montaje	1
BB	Tubo roscado	1
CC	Tornillo verde a tierra (Preinstalado al soporte de montaje (AA))	1
DD	Arandela de seguridad	1

Pieza	Descripción	Cantidad
EE	Tuerca hexagonal	1
FF	Tornillo de la caja eléctrica (corto)	2
GG	Conector de cable	3
HH	Remate	1

Pre-Instalación (continuación)

CONTENIDO DEL PAQUETE



Pieza	Descripción	Cantidad
A	Dosel	1
B	Botón de presión	3
C	Presilla del cable	5
D	Campana de vidrio	1
E	Tornillo (Pre-ensamblado al cuerpo de la lámpara (G))	3

Pieza	Descripción	Cantidad
F	Soporte en "L" (Pre-instalado al cuerpo de la lámpara (G))	3
G	Cuerpo de la lámpara	1
H	Lágrima de cristal pequeña	16
I	Lágrima de cristal mediana	8
J	Lágrima de cristal grande	4

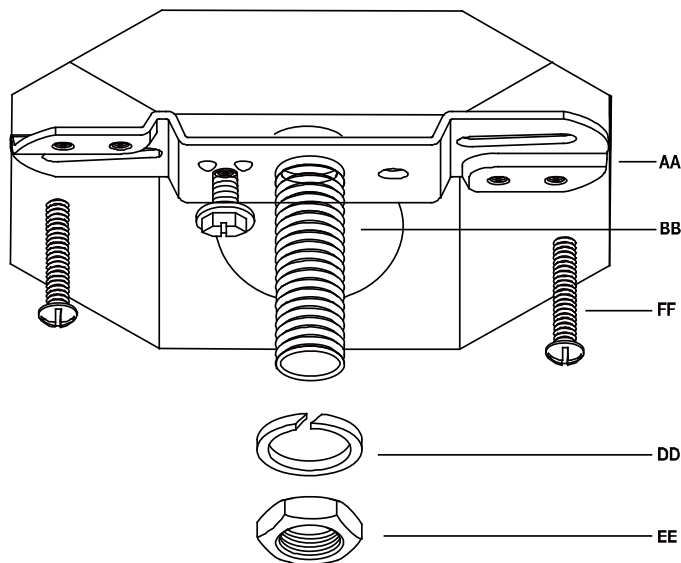
Instalación

1 Preparando el soporte de montaje

- Asegure el soporte de montaje (AA) a la caja eléctrica usando los dos tornillos de la caja eléctrica (FF).
- Enrosque el tubo roscado (BB) en el soporte de montaje (AA), y asegúrelo usando la arandela de seguridad (DD) y la tuerca hexagonal (EE).

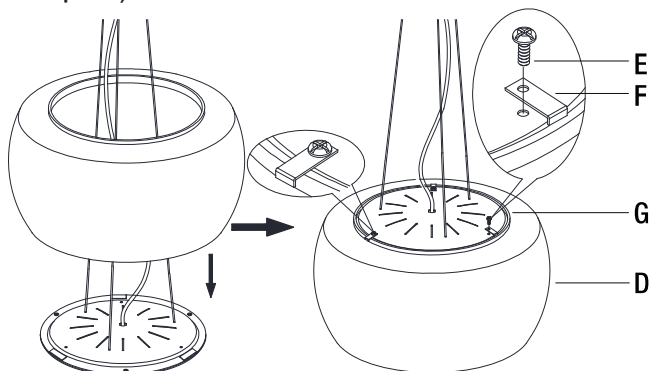


NOTA: El tubo roscado (BB) debe extenderse lo suficiente para sobresalir a través del dosel (A) cuando este esté montado. (Ajuste como sea necesario).



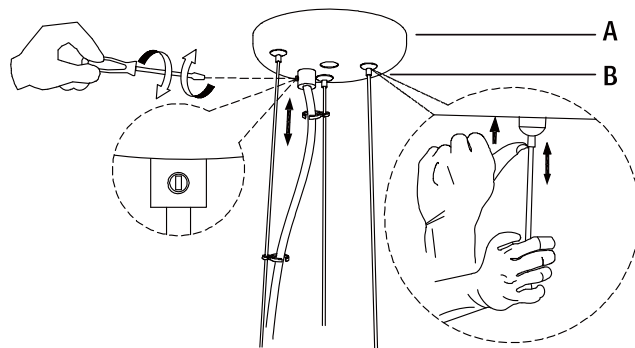
2 Adjuntando la campana al cuerpo de la lámpara

- Afloje los tres tornillos (E) y deslice los soportes en "L" (F).
- Coloque la campana de vidrio (D) sobre el cuerpo de la lámpara (G). Deslice los soportes "L" (F) para sostener la campana de vidrio (D) y asegure los tornillos (E) (no los apriete)



3 Adjuntando la altura del cuerpo de la lámpara

- Ajuste de la longitud de los cables de acero:
 1. Reducir la longitud de los cables de acero: meta a presión los cables de acero en la base (A) para ajustar los cables de acero a la longitud deseada.
 2. Aumentar la longitud de los cables de acero: pulse los botones (B) bajo la base (A), saque el cable de acero de la base para ajustar los cables de acero a la longitud deseada. Suelte los botones (B) para sujetar los cables de acero en su posición, tal y como se muestra en el diagrama.
- Afloje el tornillo de plástico usando el destornillador plano (no provisto) y ajuste el cable de la lámpara a la altura deseada. Luego apriete el tornillo de plástico nuevamente en el orificio como se muestra en el diagrama.



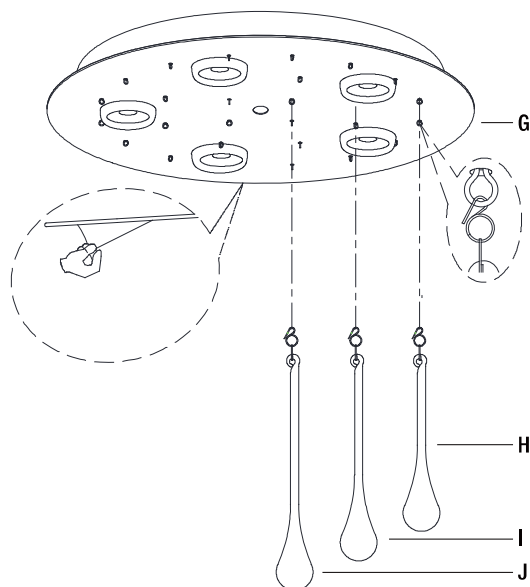
Instalación (continuación)

4 Colgando las lágrimas de cristal

- Enganche las lágrimas de cristal (H) (I), y (J) al cuerpo de la lámpara (G) como se muestra en el diagrama.



NOTA: Favor de retirar la lámina protectora antes de colocar las lágrimas de cristal.

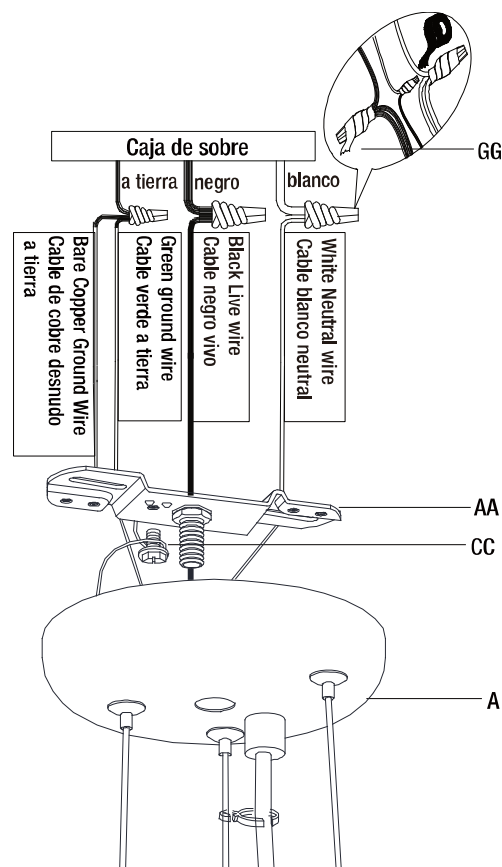


5 Realizando la conexión eléctrica

- Pelar el aislamiento del extremo de los cables 3/4 pulgadas.
- Conecte el cable negro del dosel (A) con el cable negro de la caja eléctrica, y el cable blanco del dosel (A) con el cable blanco de la caja eléctrica. Junte y tuerza los extremos de los cables con el alicate.
- El cable desnudo de cobre a tierra del dosel (A) debe enroscarse una vuelta en el tornillo verde a tierra (CC) en el soporte de montaje (AA), luego conéctelo al cable verde a tierra del dosel (A) junto al cable conductor a tierra del circuito de alimentación.
- Cubra los extremos de los cables con los conectores (GG). Cubra los conectores de los cables (GG) junto con los cables utilizando la cinta aislante, e introduzca los cables cuidadosamente dentro de la caja eléctrica.



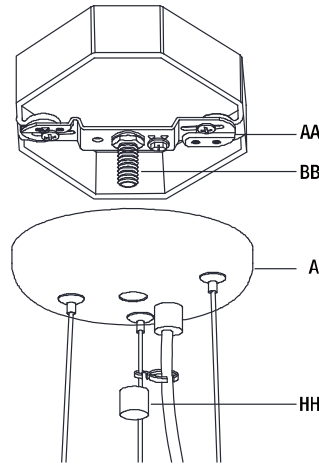
NOTA: El cable negro está etiquetado y marcado "Black Live Wire/Cable Negro Vivo", el cable neutro está etiquetado y marcado "White Neutral Wire/Cable Blanco Neutral". El cable verde a tierra de la lámpara está etiquetado y marcado "Green Ground Wire/Cable Verde a Tierra." El cable de cobre desnudo también está etiquetado y marcado "Bare Copper Ground Wire/Cable Desnudo de Cobre a Tierra".



Instalación (continuación)

6 Adjuntando el dosel a la caja de salida

- Ponga el dosel (A) sobre la caja de salida y deje que el tubo roscado (BB) pase a través del agujero del dosel (A). Luego apriete el remate (HH) al tubo roscado (BB) que sobresale el la tira de montaje (AA) hasta que el dosel (A) esté firmemente sostenido contra el techo.



Mantenimiento y Limpieza

- No use limpiadores con químicos, solventes ni productos abrasivos. Use sólo un paño suave y seco para desempolvar o limpiar con cuidado.
- Para limpiar la lámpara, primero corta el suministro de electricidad, apagando el interruptor automático o retirando el fusible correspondiente en la caja de fusibles. Seguidamente, usa un paño limpio, seco o ligeramente húmedo (usa sólo agua limpia, nunca un solvente) para limpiar el exterior de la lámpara.

Solución de problemas

Problema	Posible Causa	Solución
El LED no enciende	El LED está quemado.	Discontinúe el uso de la lámpara.
	La electricidad está apagada.	Asegúrese de que el suministro de electricidad esté encendido.
	Interruptor defectuoso.	Pruebe o reemplaze el interruptor.
	Conexión defectuosa del cable.	Revise el cableado.
El fusible se funde o el interruptor automático se activa cuando se enciende la luz.	Los cables están cruzados o el cable de alimentación está haciendo tierra.	Deje de usar la lámpara. Revise las conexiones de cables. Contacte a un electricista calificado o llame al equipo de Servicio al Cliente al 1-800-986-3460.

Declaración de la FCC

Este dispositivo cumple con la Parte 15 de las reglas de la FCC. Su operación está sujeta a las siguientes dos condiciones:

- (1) Este dispositivo no causará interferencia dañina y
- (2) este dispositivo acepta cualquier interferencia recibida, incluyendo interferencia que cause alguna operación no deseada.



PRECAUCION: Cualquier cambio o modificación no expresada como aprobada por la parte responsable del cumplimiento puede anular la autoridad del usuario para operar el equipo.

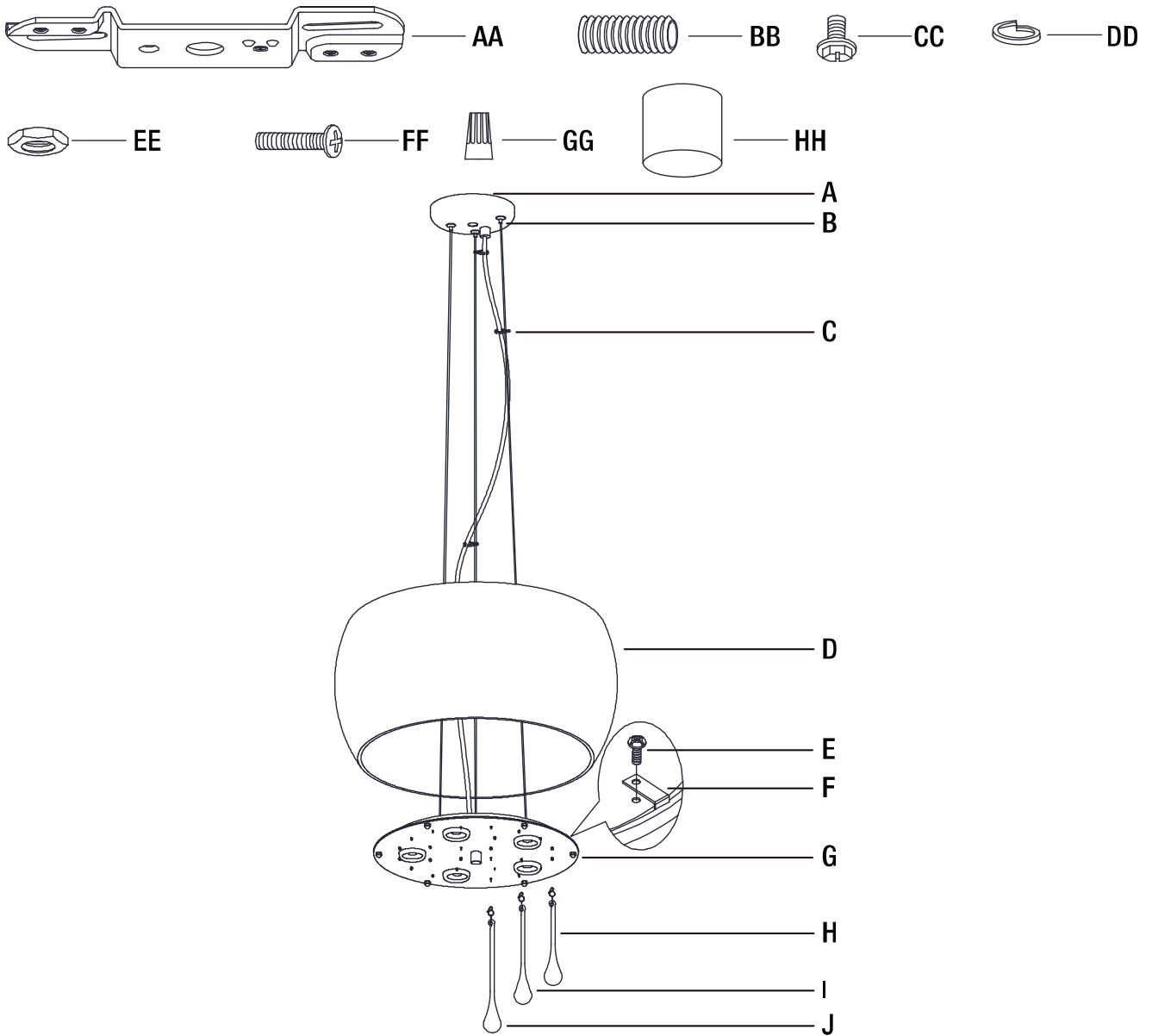


Nota: Este equipo ha sido probado y cumple con los límites de la Clase B dispositivos digitales, pertinentes a la parte 15 de las reglas de la FCC. Estos límites están diseñados para proveer protección razonable en contra de alguna interferencia dañina a la instalación residencial. Este equipo genera, usa e irradia energía de frecuencia radial si se instala y se usa inadecuadamente de acuerdo a las instrucciones. Puede causar interferencia dañina a las radiocomunicaciones. No hay garantía que esta interferencia no ocurrirá en una instalación particular. Si este equipo causase alguna interferencia dañina a la recepción de la radio o la televisión, la cual puede ser comprobada apagando y encendiendo el dispositivo se recomienda que el usuario corrija la interferencia usando una de las siguientes medidas:

- Reoriente o relocalice la antena receptora.
- Incremente el espacio entre el equipo y el receptor.
- Conecte el equipo en un tomacorrientes que tenga un circuito diferente al que el receptor esta conectado.
- Consulte el distribuidor o un técnico experimentado de radio/TV para mas ayuda.

Piezas de remplazo

MODELO: 17161



Pieza	Descripción
AA	Soporte de montaje
BB	Tubo roscado
CC	Tornillo verde a tierra (Preinstalado al soporte de montaje (AA))
DD	Arandela de seguridad
EE	Tuerca hexagonal
FF	Tornillo de la caja eléctrica (corto)
GG	Conector de cable
HH	Remate
A	Dosel

Pieza	Descripción
B	Botón de presión
C	Presilla del cable
D	Campana de vidrio
E	Tornillo (Pre-ensamblado al cuerpo de la lámpara (G))
F	Soporte en "L" (Pre-instalado al cuerpo de la lámpara (G))
G	Cuerpo de la lámpara
H	Lágrima de cristal pequeña
I	Lágrima de cristal mediana
J	Lágrima de cristal grande

HOME DECORATORS COLLECTION

¿Preguntas, problemas o piezas faltantes? Antes de regresar a la tienda,
llama al Servicio al Cliente de Home Decorators Collection, de 8 a.m. a 7 p.m.,
hora estándar del Este, de Lunes a Viernes, y de 9 a.m. a 6 p.m., hora estándar del Este, Sábados.

1-800-986-3460

[HOMEDEPOT.COM/HOMEDECORATORS](https://www.homedepot.com/homedecorators)

Conserva este manual para referencias futuras.