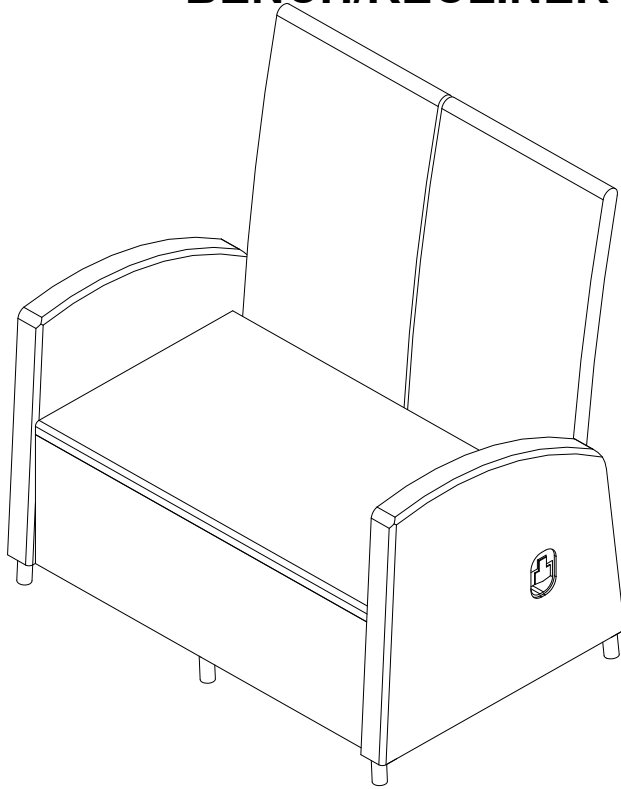


# ASSEMBLY INSTRUCTIONS

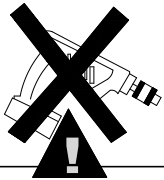
## BENCH/RECLINER



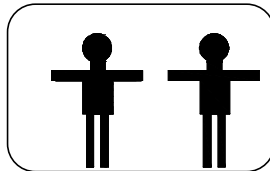
### REPLACEMENT PARTS

Please do not contact the company purchased from as we can help you faster.

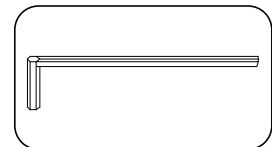
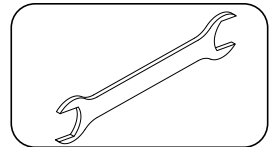
Order replacement parts and hardware at "[boltonfurniture.com](http://boltonfurniture.com)"



- . Use of power tool to assemble this product will invalidate any claim and damage this product making it unsafe!!!
- . Please assemble on a clean soft surface to avoid damage.

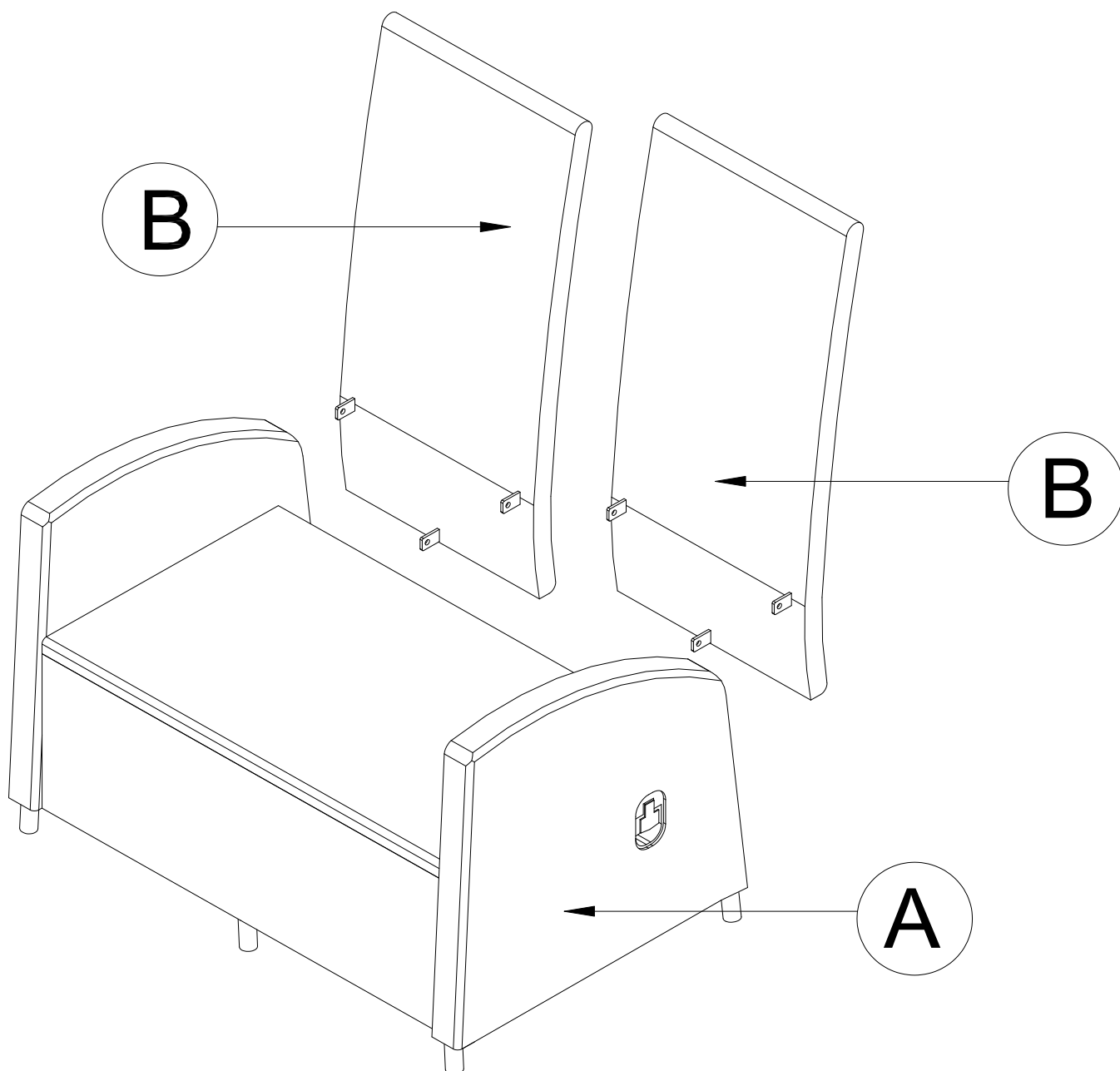


### Tool Included

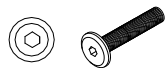


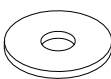
[www.boltonfurniture.com](http://www.boltonfurniture.com)

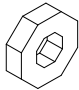
# Part List-Bench/Recliner

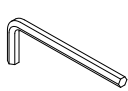



Identifying the hardware-Identify the hardware using the illustrations below.

**C**  **06**  
**M8X50mm**

**D**  **06**

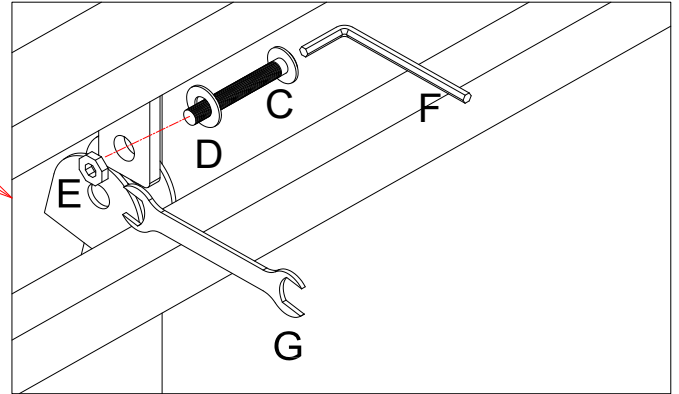
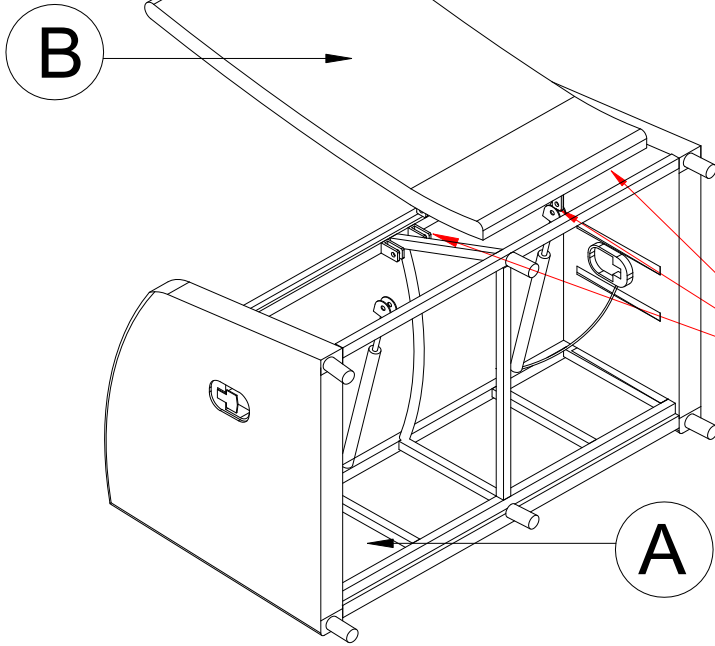
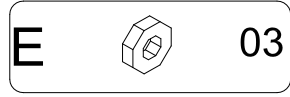
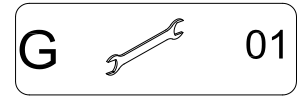
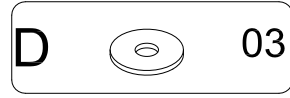
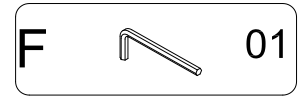
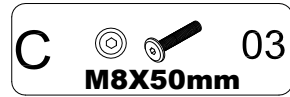
**E**  **06**

**F**  **01**

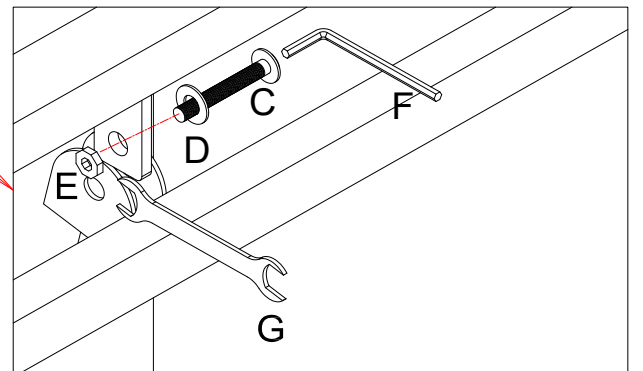
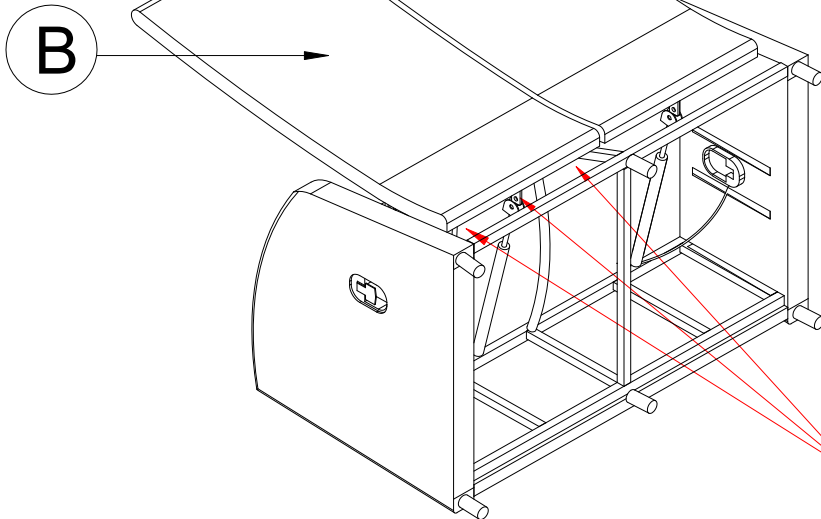
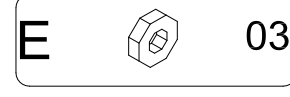
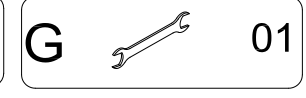
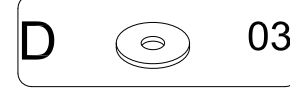
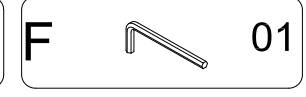
**G**  **01**

[www.boltonfurniture.com](http://www.boltonfurniture.com)

# STEP 1



# STEP 2



# STEP 3

