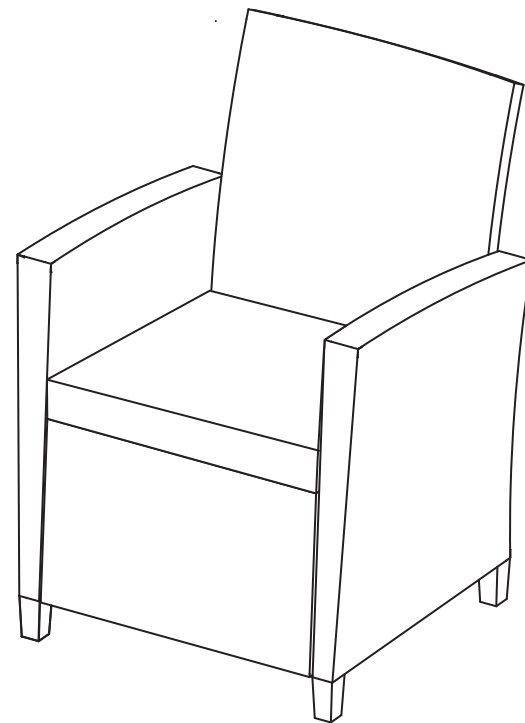




MALMO CONVERSATION SET-SINGLE CHAIR

MODEL # 88-520 ASSEMBLY INSTRUCTIONS



READ & SAVE BELOW INSTRUCTIONS BEFORE ASSEMBLY

1. PLEASE SEPARATE AND IDENTIFY ALL PARTS, ENSURING YOU HAVE ALL OF THE PARTS LISTED.
2. FOLLOW STEP BY STEP INSTRUCTIONS FOR ASSEMBLY.
3. TO AVOID ANY SCRATCHES DURING ASSEMBLY, PLEASE ASSEMBLE ON A SOFT MAT OR SIMILAR.

PARTS LIST

CODE	PARTS	QTY.
A		1
B		1
C		1
D		1
E		1
F		4
G		1

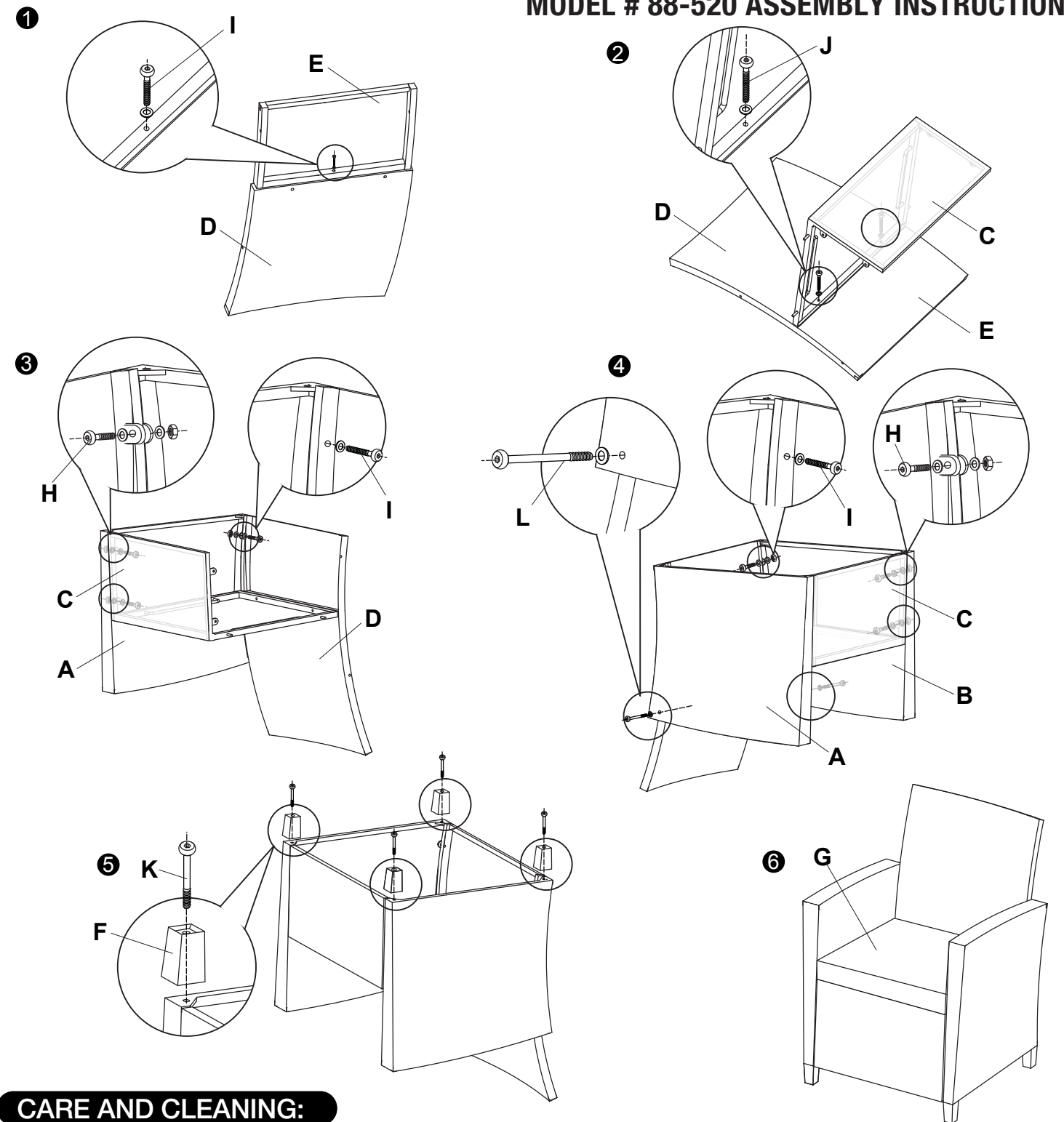
HARDWARE LIST

CODE	PARTS	QTY.
H		4
I		3
J		2
K		4
L		2
M		1
N		1



MALMO CONVERSATION SET-SINGLE CHAIR

MODEL # 88-520 ASSEMBLY INSTRUCTIONS



CARE AND CLEANING:

1. TO CLEAN, WIPE WITH DAMP CLOTH. DO NOT USE BLEACH, ACID SOLVENTS OR ABRASIVE CLEANERS ON ARTIFICIAL WICKER OR FRAME PARTS.
2. PLEASE DO NOT PUT ANY TRANSPARENT GLASSY SUBSTANCE OR SIMILAR ON THE UNIT TO AVOID POTENTIAL SUNLIGHT FOCUSING DAMAGE.
3. DURING VARYING WEATHER CONDITIONS AND WINTER PERIOD, WE STRONGLY RECOMMEND THAT THE UNIT BE STORED IN A DRY AREA WITH A SUITABLE COVER. BEFORE STORAGE, PLEASE ENSURE THE UNIT IS CLEAN AND DRY.
4. PERIODICALLY CHECK AND ENSURE THAT ALL THE SCREWS ARE COMPLETELY TIGHTENED.
5. DO NOT STAND OR CLIMB ON UNIT.



2525 State Street
Columbus, IN USA 47201-7494
812-314-6275 • 1-888-915-5110
Made in China / Hecho en China

See other great outdoor furniture by Cosco at www.coscoproducts.com

4358-6642B