

SPEAKMAN COMPANY

S-2460 Installation, Maintenance & Operation Instructions

ADJUSTA-SPRAY® SHOWERHEAD

DESCRIPTION

Polished chrome plated solid brass ADJUSTA-SPRAY wall mounted showerhead, 2" face. 60 spray channels at three different angles to allow a full coverage shower. Drilled for but less mounting bolts. Water conserving pressure compensating AUTOFLO® device reduces flow to 2.5 GPM/9.46LPM maximum to meet existing ANSI A112.18.1M Standard. Vandal resistant standard. ½" NPTF back inlet.

SPECIFICATIONS

SUPPLY INLET: ½" NPTF
 FLOW RATE: 2.5 GPM/9.46LPM MAXIMUM
 FLOW CONTROL: VARIABLE
 SHIPPING WEIGHT: 1.7 LBS.

OPTIONS

- AP – Anchor Plate Assembly with Mounting Screws

INSTALLATION

Apply pipe thread tape in a clockwise direction to threads of supply nipple. Pipe joint compound may be used instead of tape. Turning in a clockwise direction, thread the showerhead on to the supply nipple. Tighten & position with a strap wrench or a pair of soft jaw pliers. Mark and drill holes for mounting screws (not provided). Note: If necessary, remove showerhead and use proper screw anchor (3)(not provided). Turn the water supply on and check for leaks. Tighten mounting screws (3).

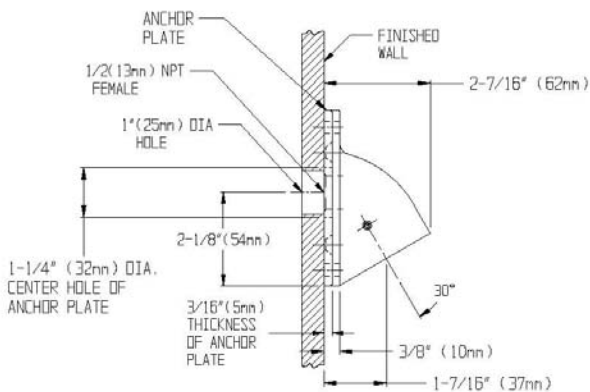
OPERATION

To adjust the spray pattern of the showerhead, loosen the side set screw with a 3/32" hex wrench, then rotate the spray face with a 3/16" hex wrench to the desired spray. Tighten the side set screw.

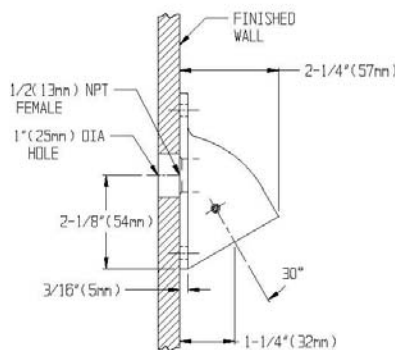
MAINTENANCE

The gleaming finish of your SPEAKMAN WATERSAVER® showerhead can be cleaned by using mild soap and warm water. Dry immediately with a soft, clean cloth for best results. The flow control device limits water flow to 2.5 gallons per minute. The small orifices may become clogged with scale and other minerals found in potable water. To clean the flow regulator, remove the showerhead from the wall, pull out the locking tab, dislodge the flow regulator and clean as necessary.

ROUGH-IN MEASUREMENTS



S-2460-AP



S-2460

