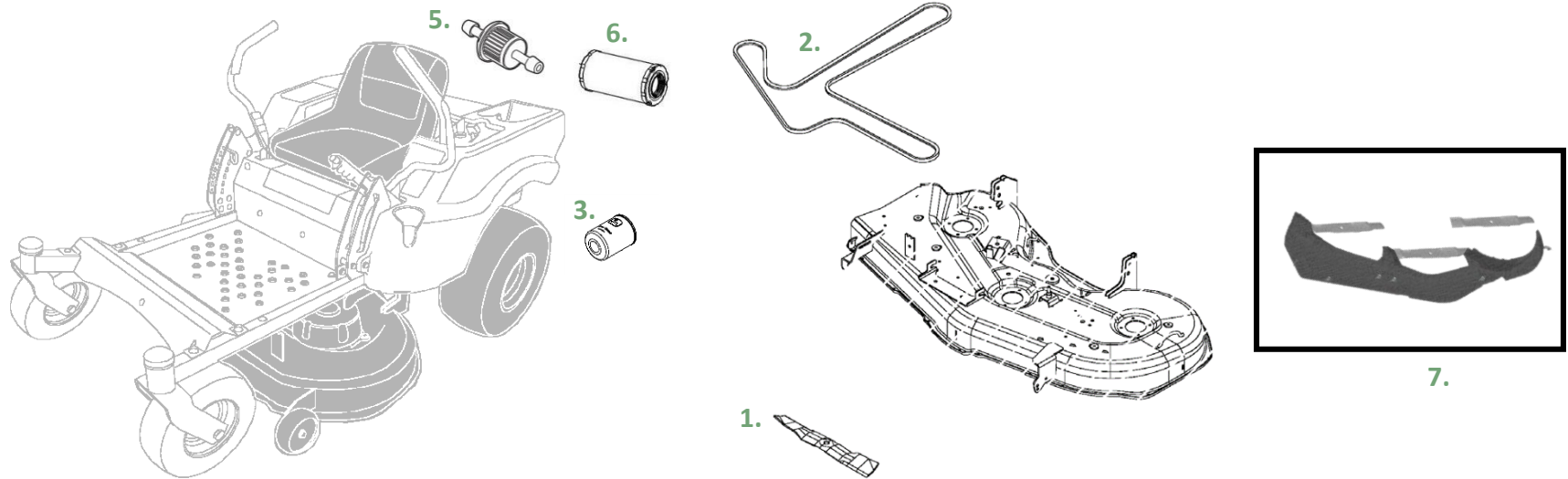


# John Deere Z535M ZTrak™

## Parts and Maintenance Information



Key	Description	Part Number	THD Store SKU	THD Online SKU
1.	62 inch Mower Blade	GY22622	NA	300742568
2.	62 inch Mower Deck Belt	M172963	See Local John Deere Dealer	See Local John Deere Dealer
3.	Oil Filter	GY20577	226-963	100175070
4.	Oil	TY22029	226-971	100127512
5.	Fuel Filter	GY20709	289-625	100126418
6.	Air Filter	GY22623	NA	300742648
7.	Mulch Kit	BM21890	See Local John Deere Dealer	303338358

# John Deere Z535M ZTrak™

## Parts and Maintenance Information

- Service Intervals

After 8 Hours	Every 100 Hours or Annually (Whichever Comes First)
Check mower deck level	Replace air filter element(s)
Every 50 hours or Annually (Whichever Comes First)	Replace fuel filter
Change engine oil	Check mower belt
Change engine oil filter	Sharpen / replace mower blades
Lubricate mower deck spindles	Clean underside of deck
Lubricate mower idler arm	Check tire pressure
Check mower deck level	Clean engine cooling fins
Clean air intake screens	Every 200 Hours
	Check / adjust engine valve clearance. See your John Deere dealer for this service.

For complete parts information for ZTrak™ Mowers: Visit your local John Deere Dealer or [www.Deere.com](http://www.Deere.com)

\*Refer to Operators Manual for a complete listing of service intervals.