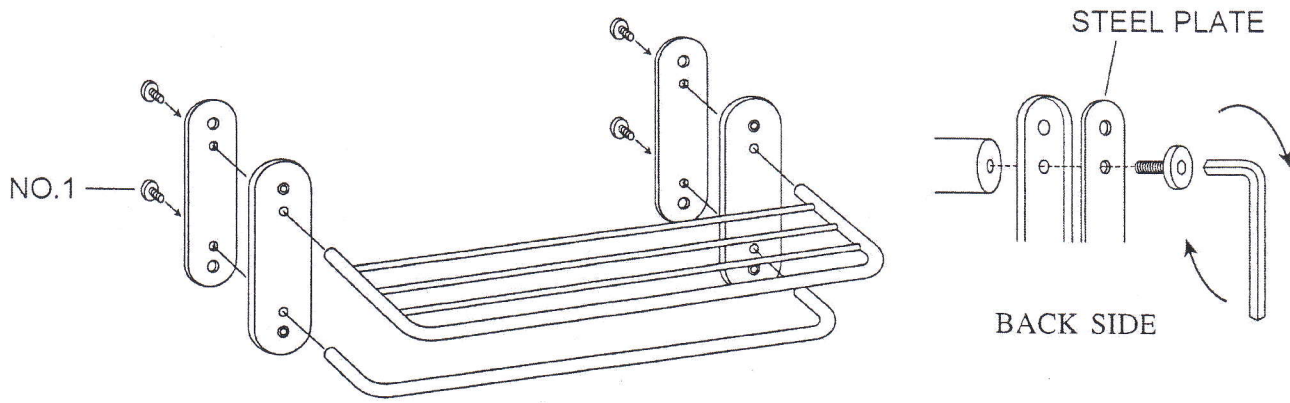
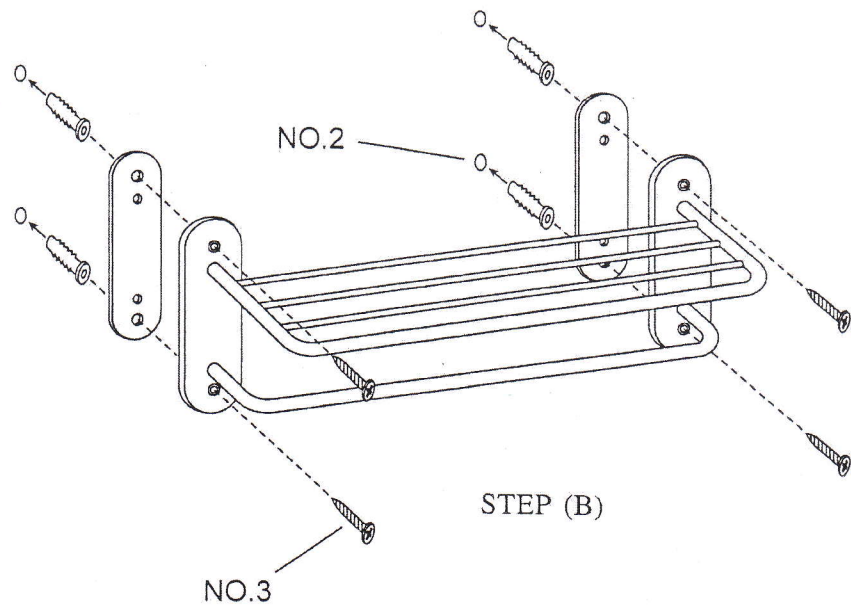


ASSEMBLY INSTRUCTION SHEET FOR TOWEL RACK

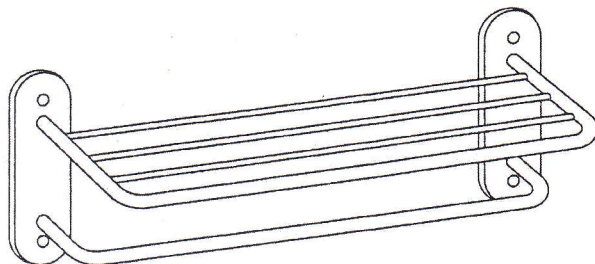


STEP (A)

INSERT PLASTIC PLUG
(NO. 2 HARDWARE) INTO
PREDRILLED HOLE



STEP (B)



COMPLETE SET

NO.1		4 PC
NO.2		4 PC
NO.3		4 PC
		1 PC