

SPACE SAVER
Mounting Systems

No Studs Required

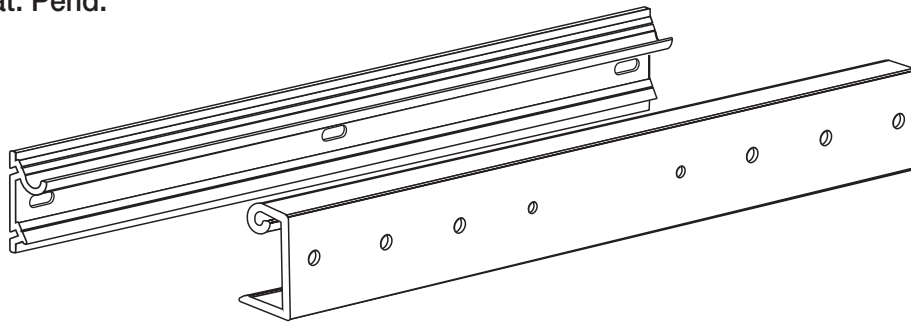
Compatible with

VESA

100/200/300/400

Fixed Wall Mount for Flat Panel TVs

Pat. Pend.



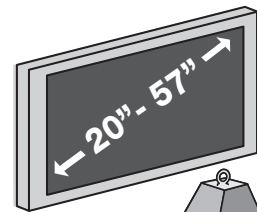
Assembly Instructions

MODEL: 69570

Fits Most: **20" - 57" Screen Sizes**

Max. Weight: **100 lbs (45.3 kgs)**

Lifetime Warranty



Products Through Innovation

If you have any questions please don't hesitate to contact us at:

Si usted tiene alguna pregunta no dude contactarnos por:

Toll free number: Teléfono gratuito:

800-293-2923

**BEFORE YOU BEGIN, MAKE SURE YOU CAREFULLY READ AND UNDERSTAND THE INSTRUCTIONS IN THIS MANUAL**

Our goal is to make this installation easy for you. Please follow the instructions in the order presented in this manual and be sure to observe all warnings and Instructions.

IMPORTANT WARNINGS AND CAUTIONS!

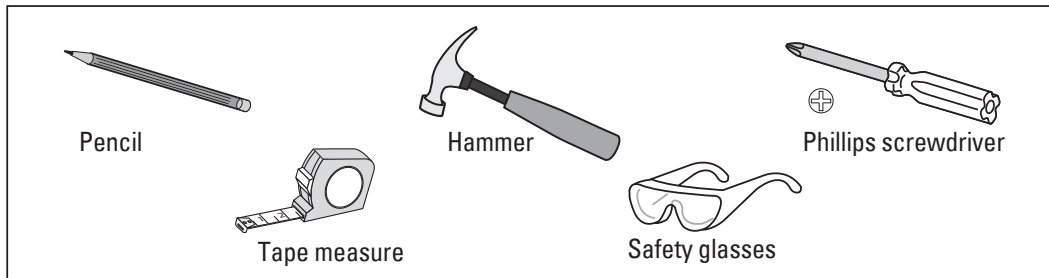
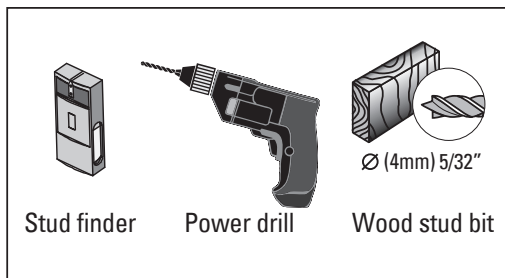
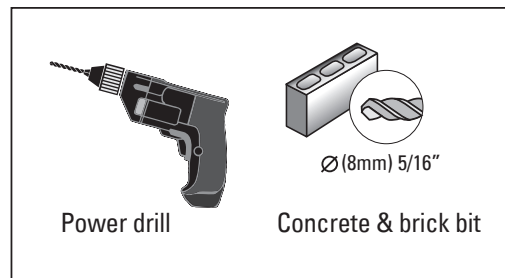
WARNING: Failure to provide adequate structural strength for this component can result in physical injury and/or damage to equipment. It is the installer's responsibility to make sure the structure to which this component is attached can support four times the combined weight of all equipment. Reinforce the structure as required before installing the component.

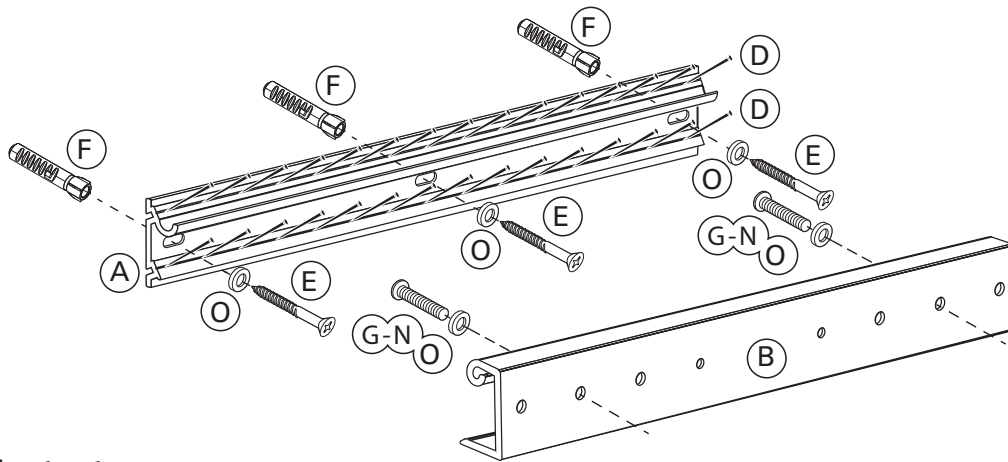
WARNING: Improper installation can result in serious physical injury. This mount has been tested to support 100 lbs (45.4 kgs.) Do not exceed that weight.

WARNING: Safety measures must be observed at all times during the installation of this product. Use proper safety gear and tools during the installation process to prevent physical injury.

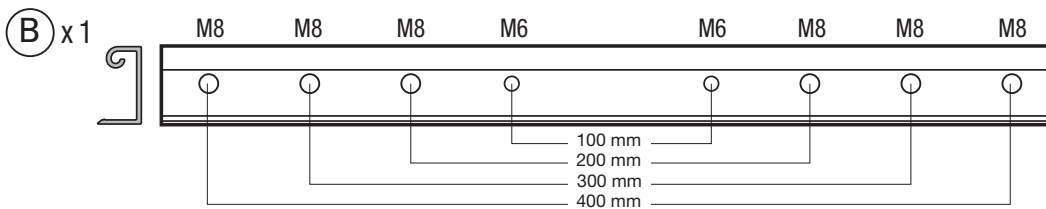
CAUTION: Do not install on a structure that is prone to vibration, movement or chance of impact. Doing so could result in damage to the panel display and/or mounting surface.

CAUTION: Do not install near a heater, direct sunlight or any other source of direct heat. Doing so could result in damage to the panel display and could increase the risk of fire.

Required Tools**For Sheetrock™/ Plasterboard****Additional Tools for mounting on Wood Studs****Additional Tools for mounting on Brick or Concrete Walls**



Content



(C) x1 Level	(D) x30 Steel Nails	(E) x3 6x 50mm	(F) x3 8x 50mm	(G) x2 M4 16mm	(H) x4 M4 30mm
(I) x2 M5 16mm	(J) x4 M5 30mm	(K) x2 M6 16mm	(L) x4 M6 30mm	(M) x2 M8 16mm	(N) x4 M8 30mm
(O) x7 M5	(P) x4 Spacer	(Q) x2 10*3/4	(R) x2 Plastic blank		

Step: 1

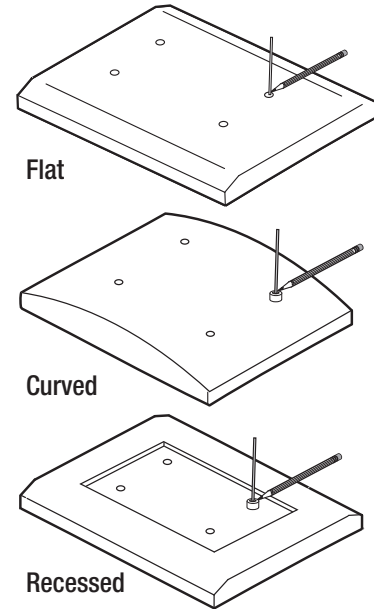
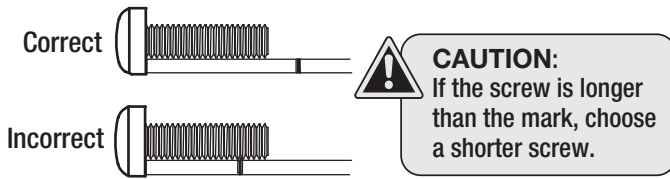
IDENTIFYING THE CORRECT SCREW LENGTH FOR YOUR TV

Insert a straw or toothpick into one of the mounting holes on the back of your TV.

If your TV is curved or recessed, place the proper sized spacer (P) on top of one of the mounting holes first.

Use a pencil to mark the depth of the mounting hole.

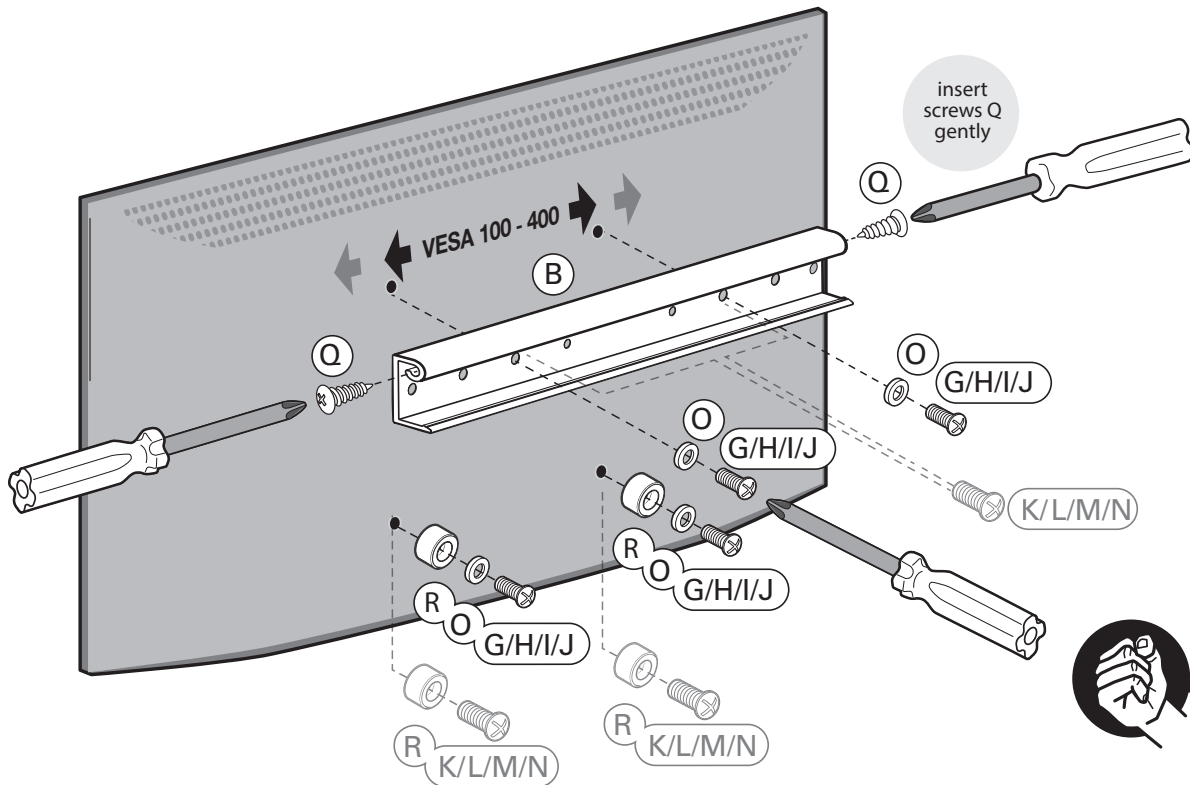
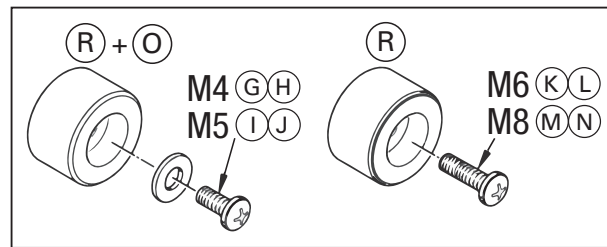
Determine the proper screw length to use by comparing the mark with the various screws provided (G – N).



Step: 2

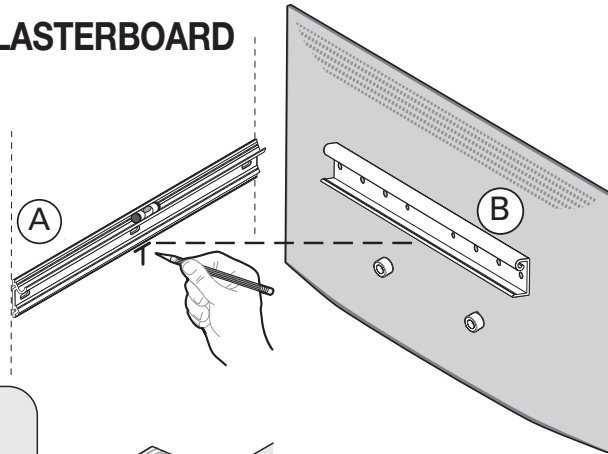
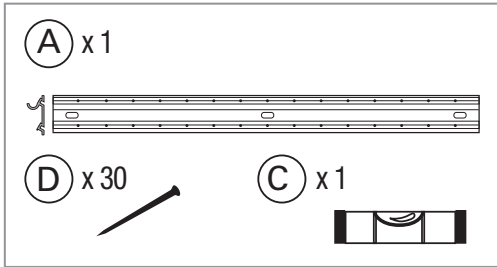
ATTACHING THE VESA PLATE (B) TO YOUR TV

Adding plastic blanks (N)

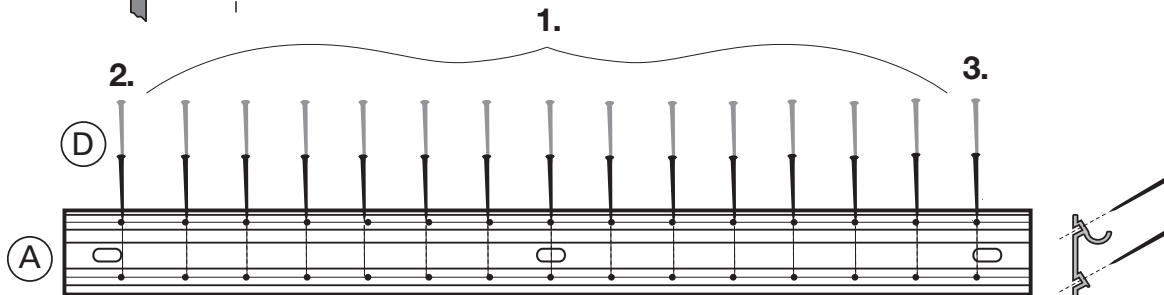
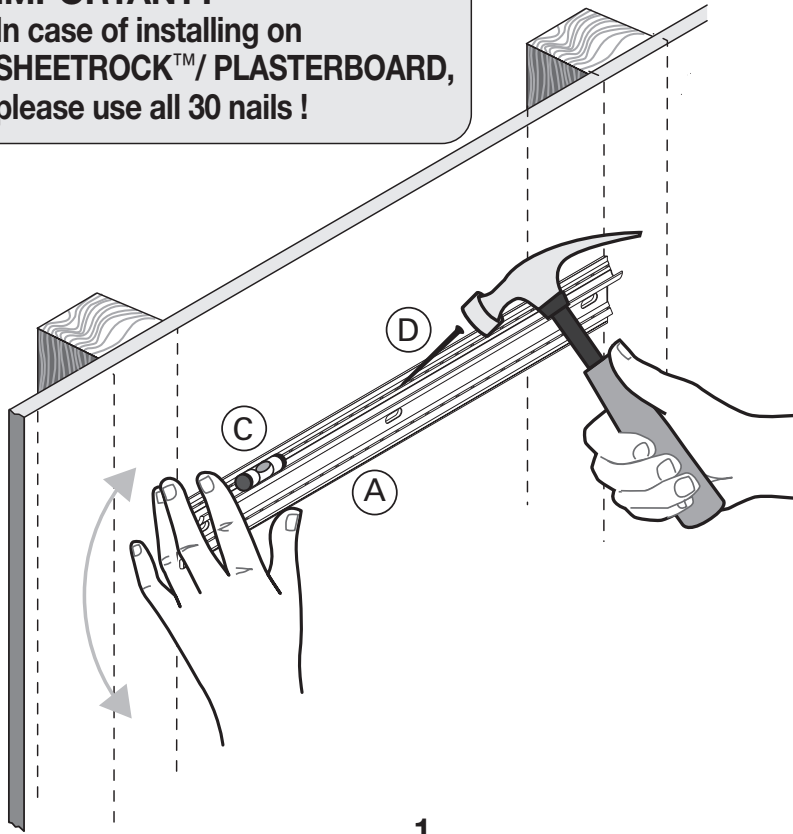


Step: 3 Option 1

MOUNTING ON SHEETROCK™/ PLASTERBOARD

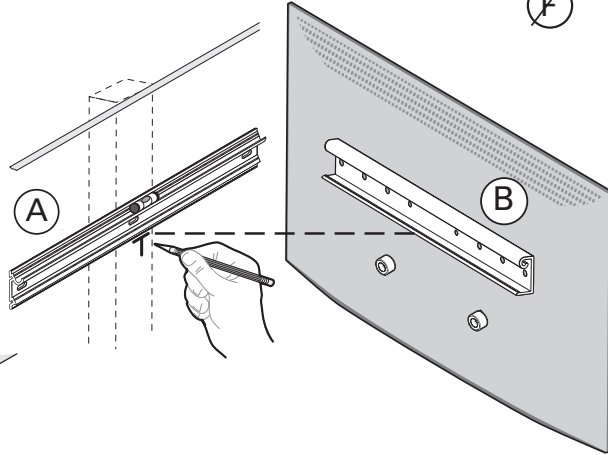
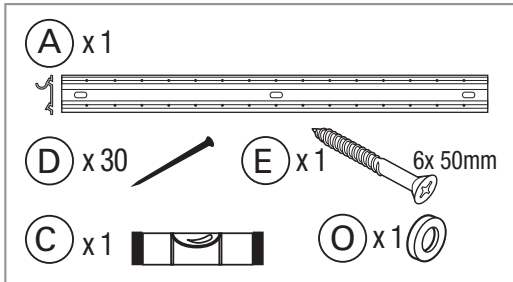


IMPORTANT:
In case of installing on
SHEETROCK™/ PLASTERBOARD,
please use all 30 nails !

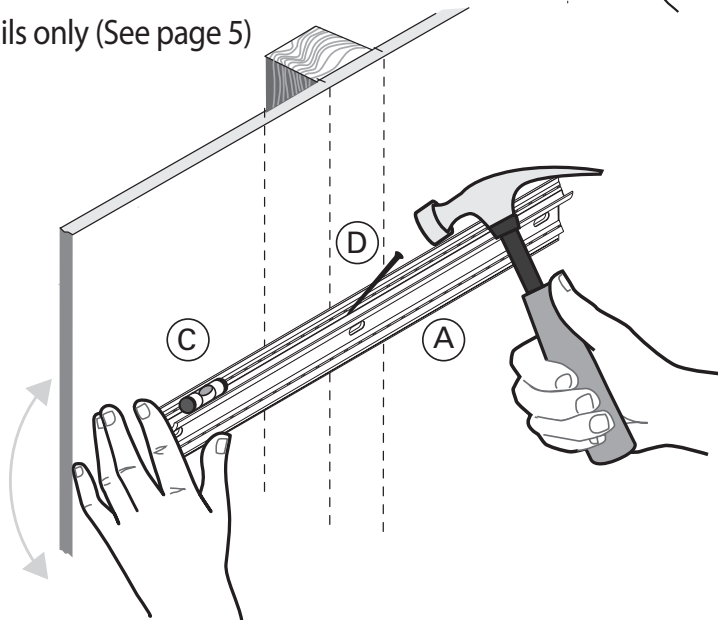


Step: 3 Option 2

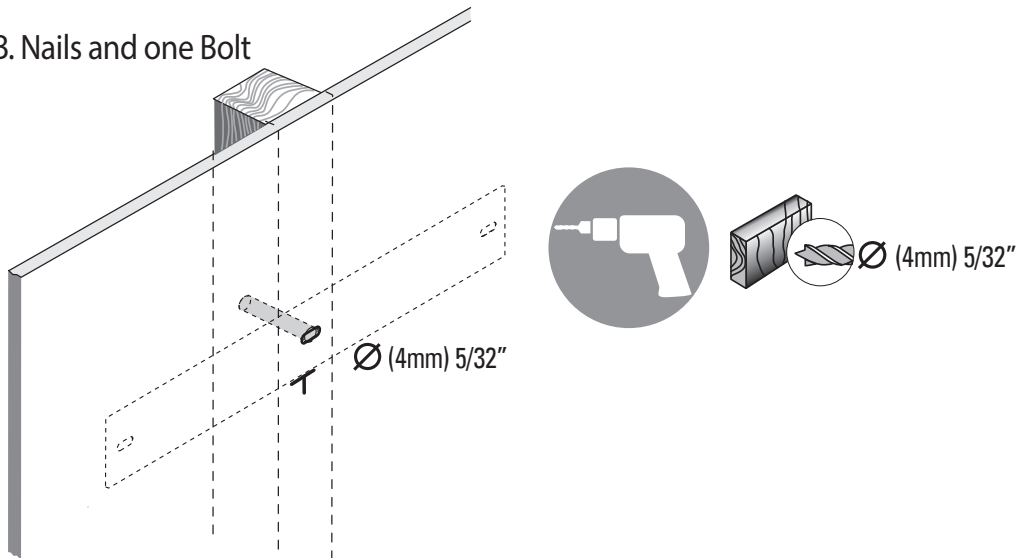
MOUNTING ON SHEETROCK™/ PLASTERBOARD AND ONE WOOD STUD

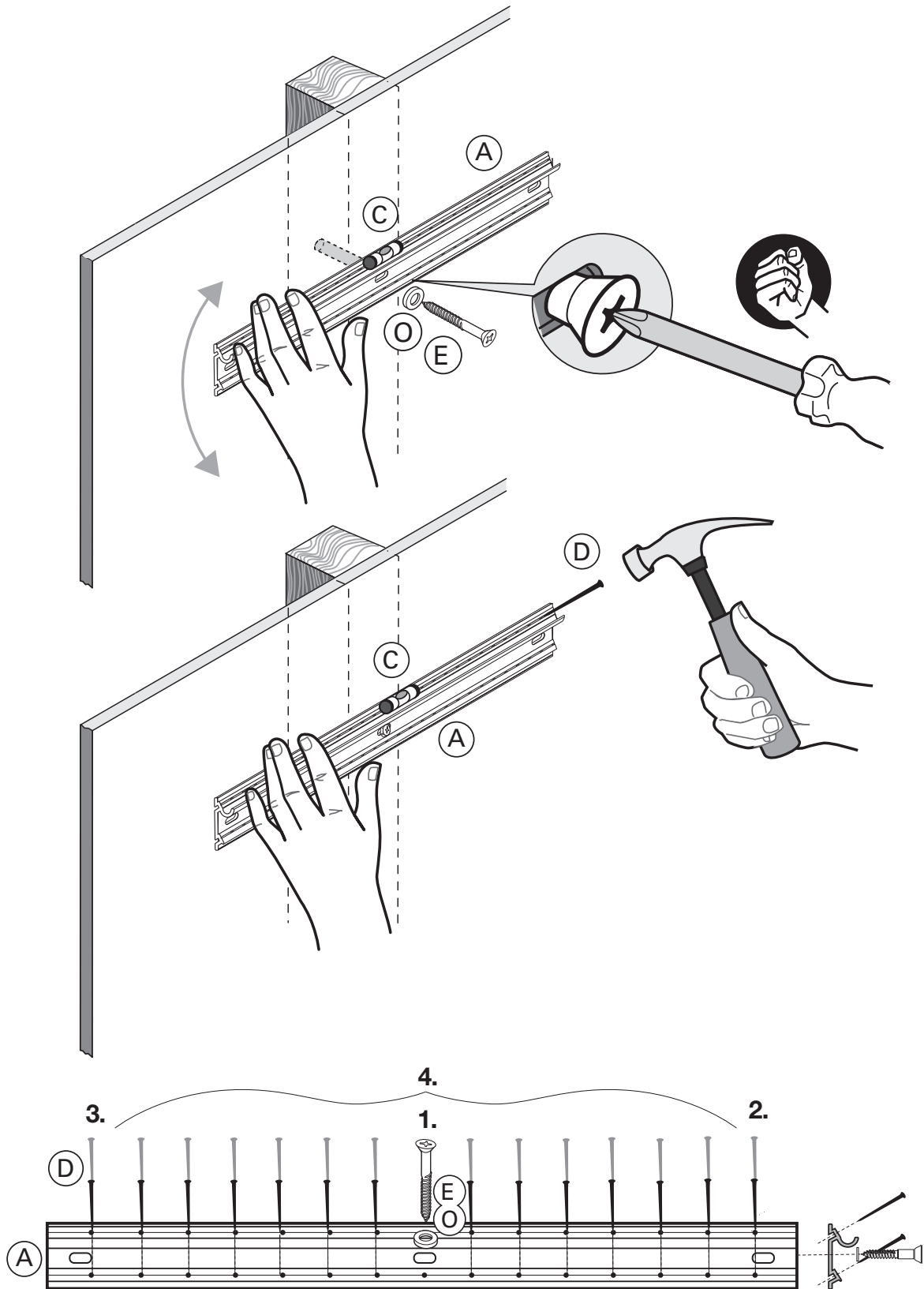


A. Nails only (See page 5)



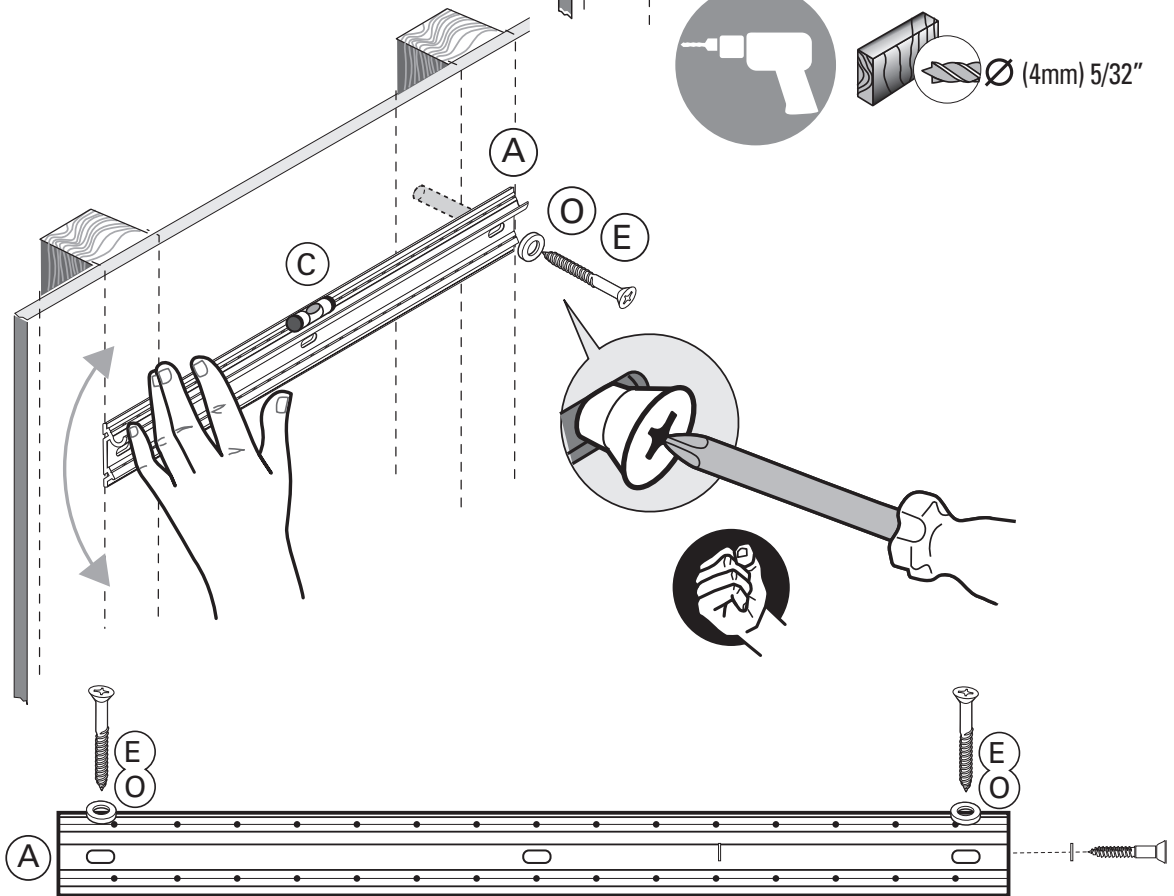
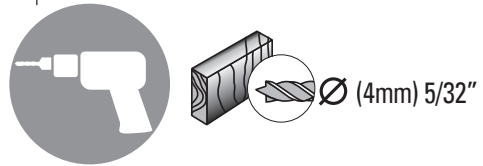
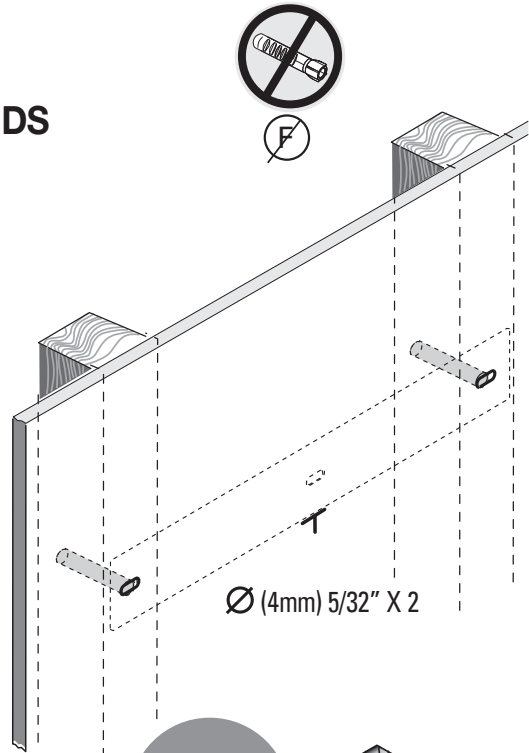
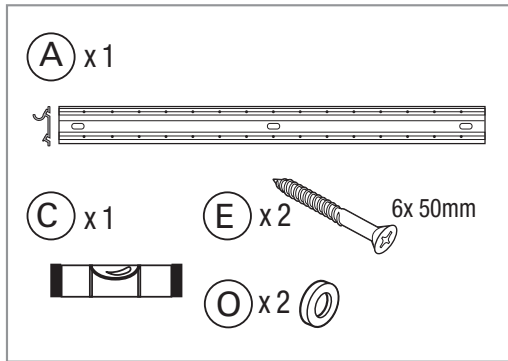
B. Nails and one Bolt





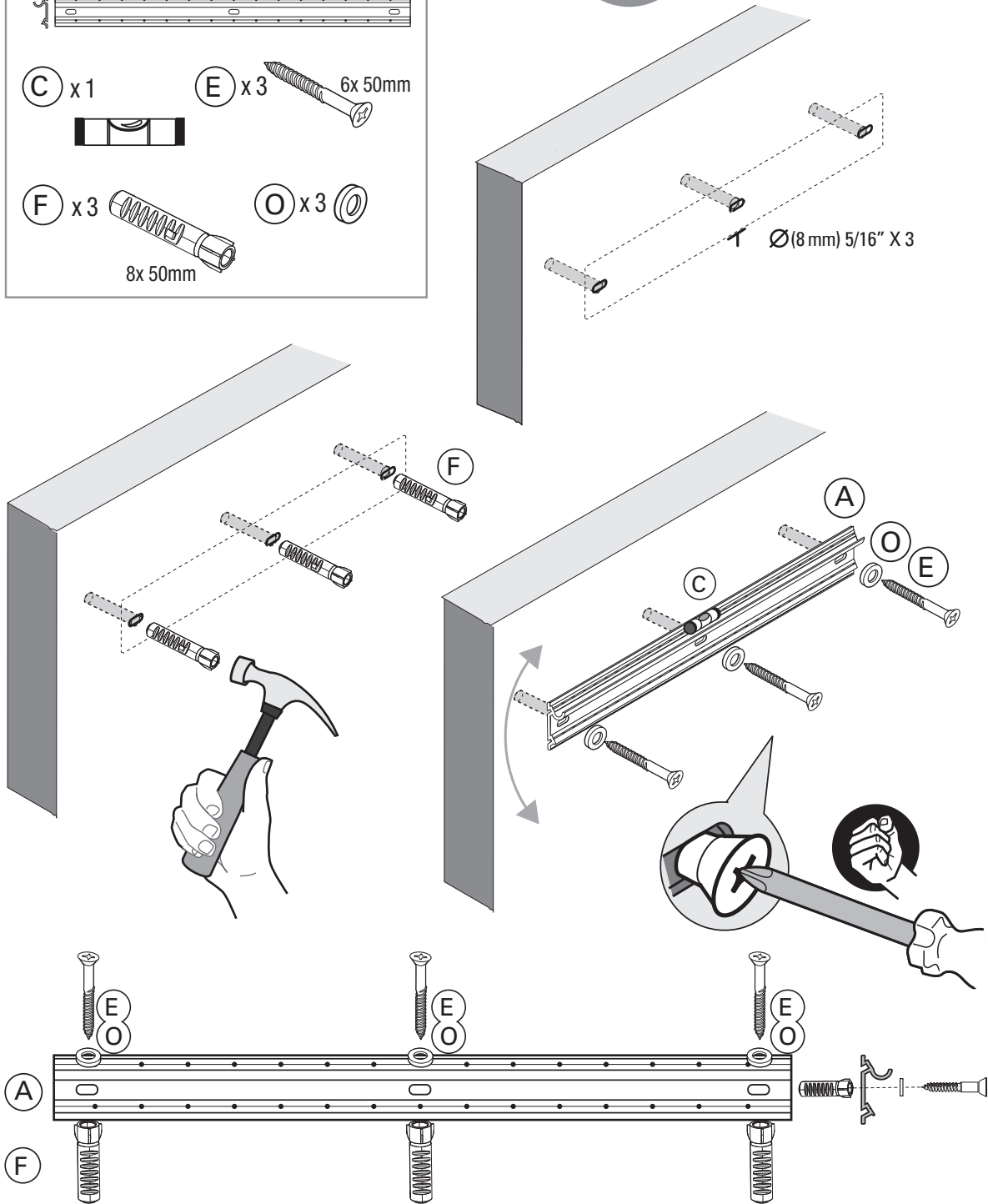
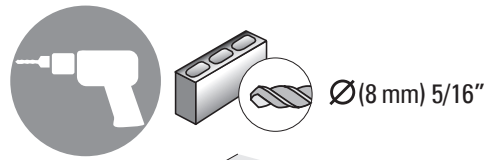
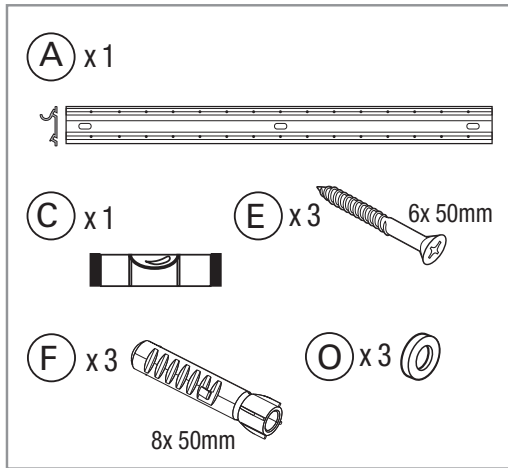
Step: 3 Option 3

MOUNTING ON TWO WOOD STUDS



Step: 3 Option 4

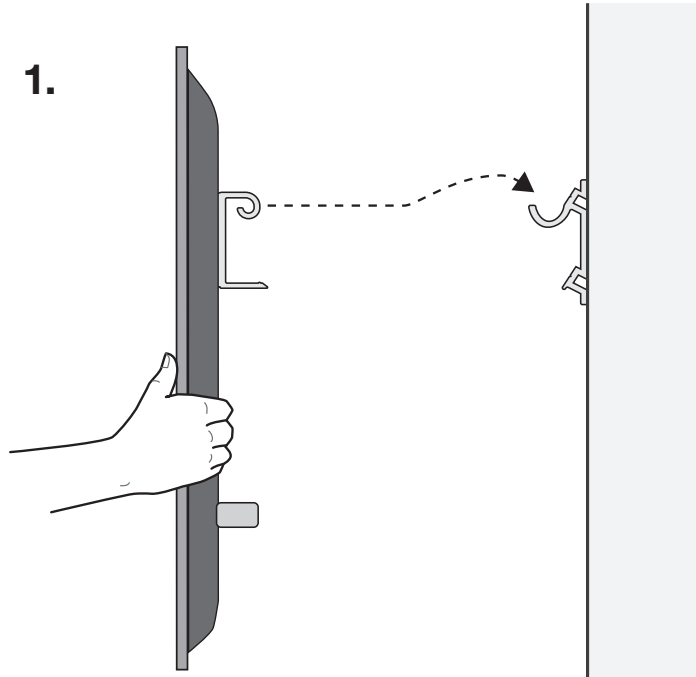
MOUNTING ON BRICK OR CONCRETE



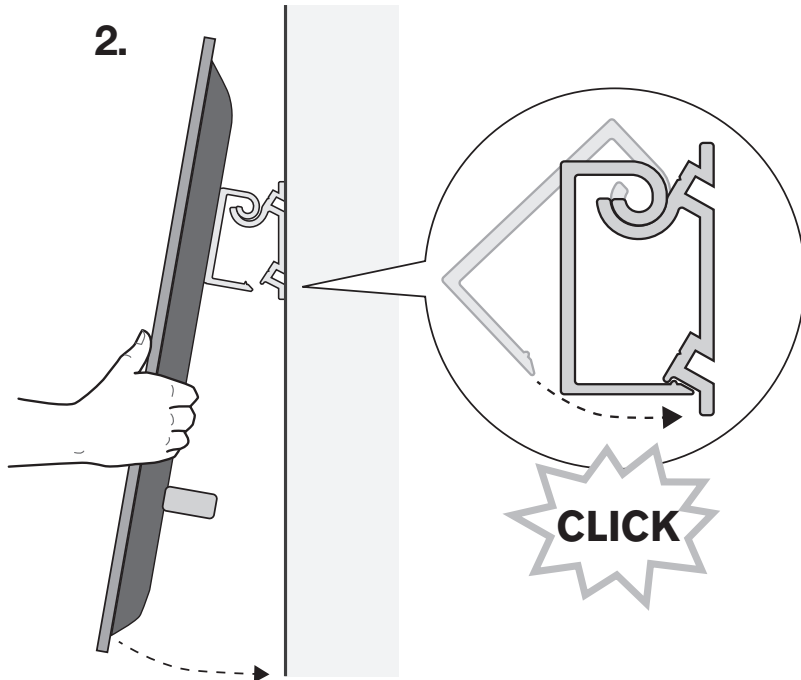
Step: 4

HANGING YOUR TV SET

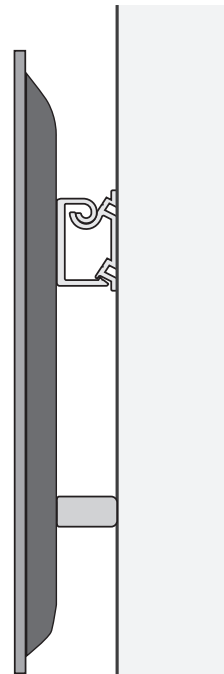
1.



2.

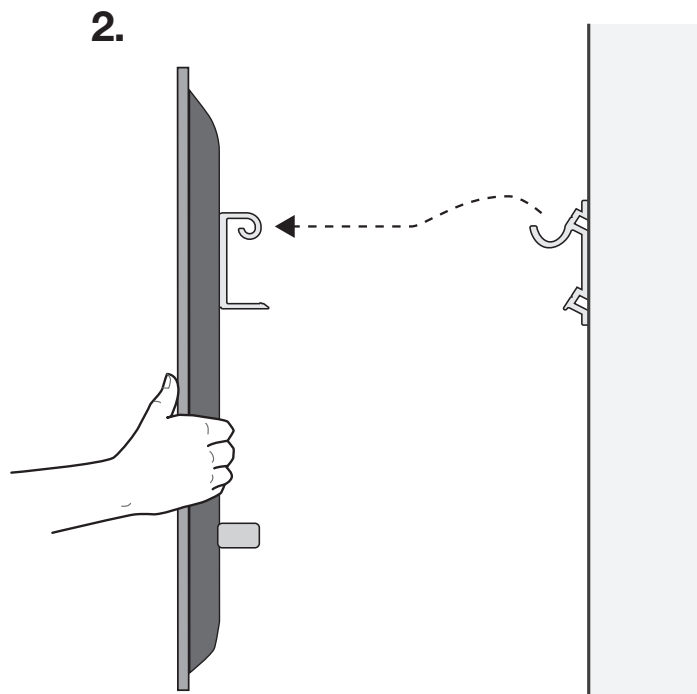
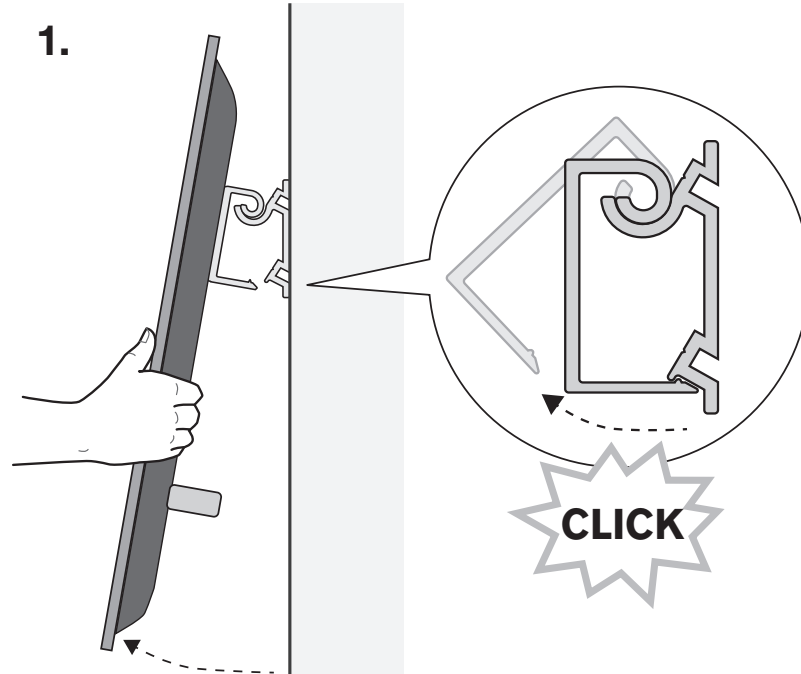


3.



Step: 5

REMOVING YOUR TV SET



TV mounting System
Compatible with all VESA options from 100-400.



Products Through Innovation

450 Seventh Ave., Suite 2809

New York, N.Y. 10123,

Tel. 212-239-8230

Fax. 212-239-8240

www.stcny.com

