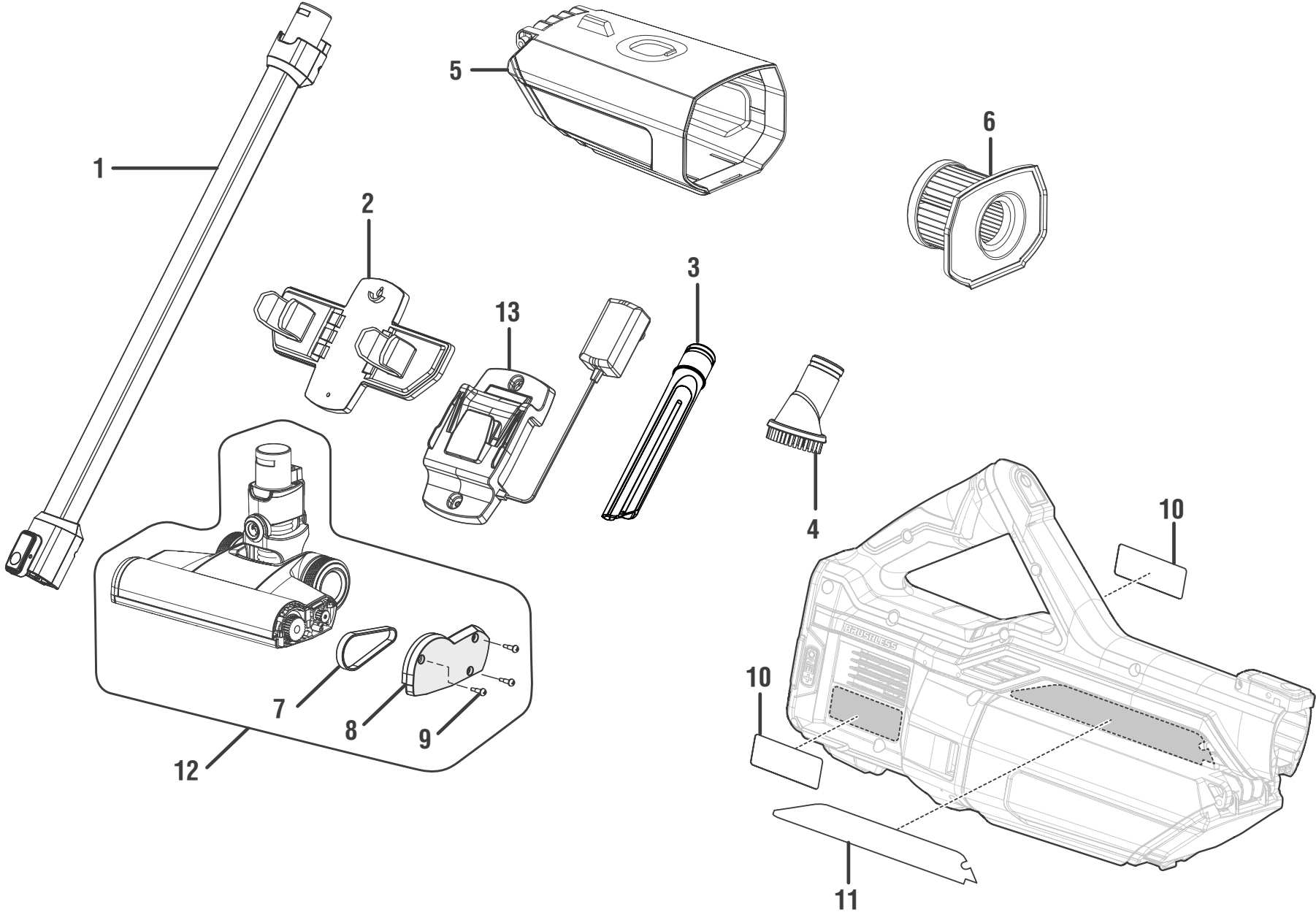


RYOBI
18 Volt One+™ Stick Vac
Model No. P718
Repair Sheet

ONE WORLD TECHNOLOGIES, INC.
P.O. Box1288 • Phone 1-800-525-2579
www.ryobitools.com

RYOBI 18 VOLT STICK VAC – MODEL NUMBER P718



RYOBI 18 VOLT STICK VAC – MODEL NUMBER P718

The model number will be found on a label attached to the motor housing. Always mention the model number in all correspondence regarding your **STICK VACUUM** or when ordering parts.

PARTS LIST

KEY NO.	PART NUMBER	DESCRIPTION	QTY
1	313279001	Extension Wand Assembly.....	1
2	204907001	Accessory Mounting Plate Assembly.....	1
3	534281002	Crevice Tool Accessory	1
4	313281001	Dust Brush Accessory.....	1
5	204908001	Dust Cup Assembly.....	1
6	313282002	Air Filter Assembly	1
7	564680001	Belt	1
8	313555001	Belt Door Assembly (Inc. Key No. 9).....	1
9	662744001	Screw (M3 x 8 mm, Pan Hd.)	3
10	940304497	Logo Label	2
11	941121920	Data Label	1
12	313280001	Roller Bar Assembly (Inc. Key Nos. 7-9).....	1
13	140377001	P180 Charger Cradle (For use with all serialized units outside the serial range listed below under part number 140377002)	1
	140377002	P180 Charger Cradle (For use with the following serialized units only: From 17415D050001 to 17415D059999 From 17421D050001 to 17421D050801).....	1
	Not Shown:		
	995000314	Operator's Manual (961152808)	
	10-3-18 (Rev:05)		