


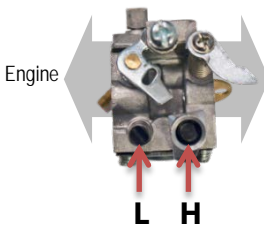

<b>Subject</b>	Carburetor Tamper Resistance
<b>For model</b>	All power cuts, chain saws, blowers, grass trimmers, hedge trimmers, brush cutters, edgers
<b>Country</b>	USA
<b>Description</b>	EPA (US Environmental Protection Agency) regulations require tamper proof carburetors to assure engines maintain exhaust emission compliance. Carburetor service and high altitude adjustments can be made by Authorized Service Centers or Factory Service Centers.

**Replacing carburetors:** Carburetor service requiring full carburetor replacement – confirm H and L needles are set to factory settings.

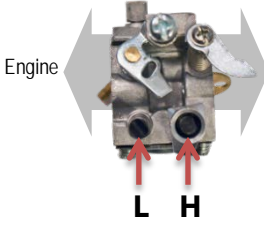

Consult the appropriate repair manual and/or operator’s manuals for the proper carburetor settings for a specific machine.

Reference Makita/Dolmar Technical bulletin **2012-03M** and **2012-41**

### COMPACT CLASS CHAIN SAWS: EA3201S35B, PS-32C (WALBRO TYPE)

CEMENTED CARBURETOR	TAMPER RESISTANT CARBURETOR	REQUIRED TOOLS	FACTORY SETTINGS	HIGH ALTITUDE SETTINGS
	<p>PN 168779-0 Walbro type EX 207</p>  <p>Engine ← → Air Filter</p>	<p>PN 957340030</p> 	<p>L=⊖ H=⊖</p> <p>Walbro L=1-1/2 H=4-1/2</p>	
Replace with tamper resistant type if service is required		Available only for Makita Factory and Authorized Service Centers.		

### COMPACT CLASS CHAIN SAWS: EA3201S35B, PS-32C (ZAMA TYPE)

CEMENTED CARBURETOR	TAMPER RESISTANT CARBURETOR	REQUIRED TOOLS	FACTORY SETTINGS	HIGH ALTITUDE SETTINGS
	<p>PN 168849-5 Zama type DM29</p>  <p>Engine ← → Air Filter</p>	<p>PN 957340030</p> 	<p>L=⊖ H=⊖</p> <p>Zama L=1-1/2 H=2-1/2</p>	
Not Applicable		Available only for Makita Factory and Authorized Service Centers.		

## FARM CLASS CHAIN SAWS: EA3601F40B, PS-352

CEMENTED CARBURETOR	TAMPER RESISTANT CARBURETOR	REQUIRED TOOLS	FACTORY SETTINGS	HIGH ALTITUDE SETTINGS
---------------------	-----------------------------	----------------	------------------	------------------------

**PN 168819-4**  
Zama type  
C1Q

**Not Applicable**

**PN (not yet available)**

Available only for Makita Factory and Authorized Service Centers.

**L=0**  
**H=0**

**L=1-1/4**  
**H=1-1/4**

## FARM CLASS CHAIN SAWS: EA4300F40B, PS-351, PS-421

CEMENTED CARBURETOR	TAMPER RESISTANT CARBURETOR	REQUIRED TOOLS	FACTORY SETTINGS	HIGH ALTITUDE SETTINGS
---------------------	-----------------------------	----------------	------------------	------------------------

**PN 195-153-200**  
Zama type  
DM23

**Not Applicable**

**PN 957340020**

Available only for Makita Factory and Authorized Service Centers.

**L=0**  
**H=0**

**L=1-1/2**  
**H=2-1/4**

## MID-RANGE FARM & PRO CHAIN SAWS: DCS5121, EA5000P53G, PS-510, PS-5105

CEMENTED CARBURETOR	TAMPER RESISTANT CARBURETOR	REQUIRED TOOLS	FACTORY SETTINGS	HIGH ALTITUDE SETTINGS
---------------------	-----------------------------	----------------	------------------	------------------------

**PN 181-153-301**  
Zama type  
DM20

**Not Applicable**

**PN 957340020**

Available only for Makita Factory and Authorized Service Centers.

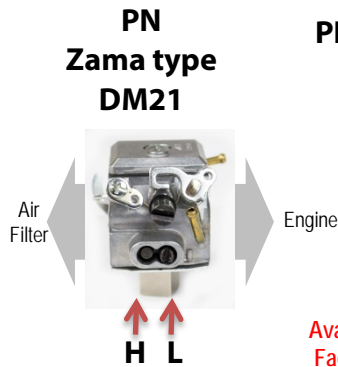
**L=0**  
**H=0**

**L=1-1/2**  
**H=1-1/2**

## POWER CUTTERS: EA6100P53G, PS-6100

CEMENTED CARBURETOR	TAMPER RESISTANT CARBURETOR	REQUIRED TOOLS	FACTORY SETTINGS	HIGH ALTITUDE SETTINGS
---------------------	-----------------------------	----------------	------------------	------------------------

Not Applicable



PN 957340020



L=⊖  
H=0

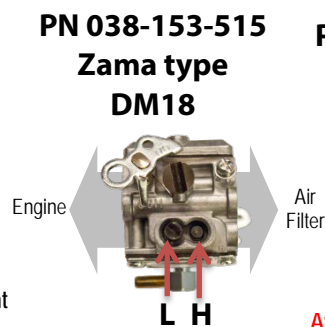
L=1-1/2  
H=2-1/2

Available only for Makita Factory and Authorized Service Centers.

## PRO CLASS CHAIN SAW: DCS642120, PS-6400, PS-7310, PS-7910

CEMENTED CARBURETOR	TAMPER RESISTANT CARBURETOR	REQUIRED TOOLS	FACTORY SETTINGS	HIGH ALTITUDE SETTINGS
---------------------	-----------------------------	----------------	------------------	------------------------

Replace with tamper resistant type if service is required



PN 957340020



L=⊖  
H=0

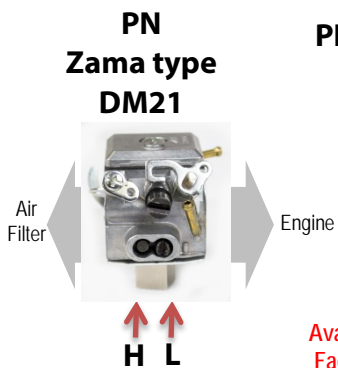
L=1-1/4  
H=1-1/2

Available only for Makita Factory and Authorized Service Centers.

## POWER CUTTERS: EK6101, PC-6114

CEMENTED CARBURETOR	TAMPER RESISTANT CARBURETOR	REQUIRED TOOLS	FACTORY SETTINGS	HIGH ALTITUDE SETTINGS
---------------------	-----------------------------	----------------	------------------	------------------------

Not Applicable



PN 957340020



L=⊖  
H=0

L=1-1/2  
H=2-1/2

Available only for Makita Factory and Authorized Service Centers.

## POWER CUTTERS: DPC7331, EK7301, PC-7414

CEMENTED CARBURETOR	TAMPER RESISTANT CARBURETOR	REQUIRED TOOLS	FACTORY SETTINGS	HIGH ALTITUDE SETTINGS
---------------------	-----------------------------	----------------	------------------	------------------------

Replace with tamper resistant type if service is required

**PN 395-151-025**  
**Walbro type**  
**WJ-131**

**H L**

**PN 957340030**

Available only for Makita Factory and Authorized Service Centers.

**L = 0**  
**H = 0**

**L = 1-3/8**  
**H = 1-1/8**

## MM4 POWER CUTTERS: EK7651H

CEMENTED CARBURETOR	TAMPER RESISTANT CARBURETOR	REQUIRED TOOLS	FACTORY SETTINGS	HIGH ALTITUDE SETTINGS
---------------------	-----------------------------	----------------	------------------	------------------------

**Not Applicable**

**PN 168815-2**  
**Walbro type**  
**WT-1066**

**L H**

**PN 957340030**

Available only for Makita Factory and Authorized Service Centers.

**L = 0**  
**H = 0**

**L = 2-1/4**  
**H = 2-3/8**

**L = 2-1/4**  
**H = 1-3/4**

## POWER CUTTERS: EK8100, PC-8216

CEMENTED CARBURETOR	TAMPER RESISTANT CARBURETOR	REQUIRED TOOLS	FACTORY SETTINGS	HIGH ALTITUDE SETTINGS
---------------------	-----------------------------	----------------	------------------	------------------------

Replace with tamper resistant type if service is required

**PN 395-151-025**  
**Walbro type**  
**WJ-131**

**H L**

**PN 957340030**

Available only for Makita Factory and Authorized Service Centers.

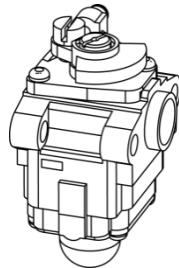
**L = 0**  
**H = 0**

**L = 1-1/4**  
**H = 1**

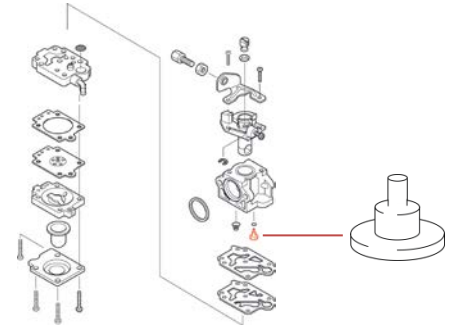
**BBX7600, BBX7600CA, BBX7600N, PB-7600.4, PB-7601.4, PB-7602.4**

CARBURETOR	JET SIZE
------------	----------

**PN 597-60010-00**  
Walbro type WYK-260



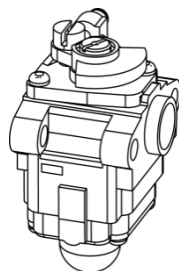
**Factory Standard jet= #60 Standard**  
**High Altitude jet= #59**



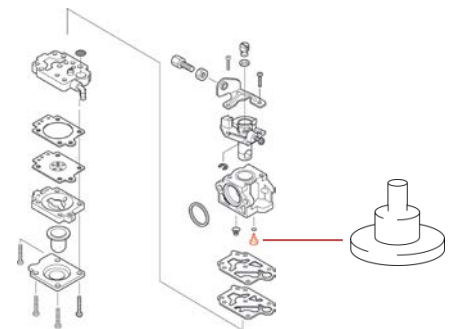
**EB7650WH, EB7650TH**

CARBURETOR	JET SIZE
------------	----------

**PN 168859-2**  
Walbro type WYK-427



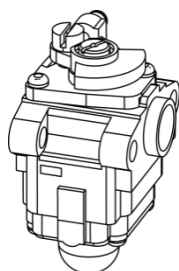
**Factory Standard jet= #60 Standard**  
**High Altitude jet= #59**



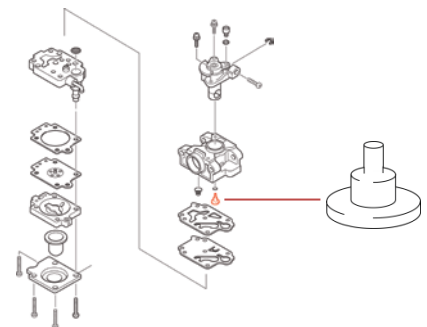
**EM2650LH, EM2652LHN, EN5550SH, EN5950SH, EN7350SH, EM2650UH, EN4950H, EE2650H, EY2650H25H, EN4951SH, PE254.4, MS-246.4C, MS-256.4C, CS-246.4C, ME-246.4, MH-246.4DS**

CARBURETOR	JET SIZE
------------	----------

**PN 168762-7**  
Walbro type WYL-287A



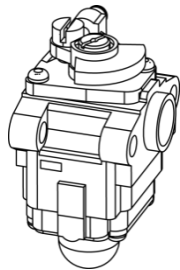
**Factory Standard Jet = #33.5 Long**  
**High Altitude Jet = #32 Long**



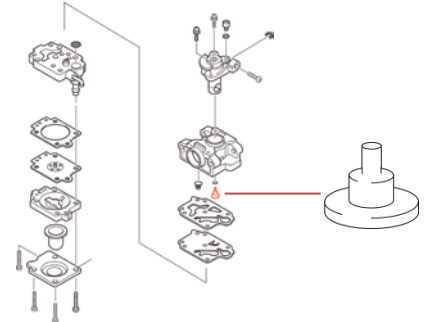
## BHX2500, BHX2500CA, PB-250.4, PB-251.4

CARBURETOR	JET SIZE
------------	----------

**PN 168641-9**  
**Walbro type WYL-213A**



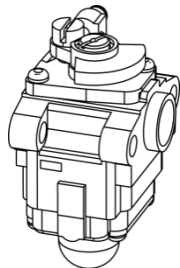
**Factory Standard jet = #38.5 Standard**  
**High Altitude jet = #37**



## EM4251, EM4251CA, EM4250, EM4250CA, MS-251.4

CARBURETOR	JET SIZE
------------	----------

**PN 168497-0**  
**Walbro type WYL-125**



**Factory Standard jet = #34.5 Long**  
**High Altitude jet =**

