



All products meet or exceed building codes

2-5 Business Day Delivery

Provide a drawing, we will provide your material list.

Custom Colors on large projects

**Residential & Commercial**

# EZ Handrail® & Screen Rooms

Aluminum Railing, Curved Baluster, Glass Baluster, Round ADA Handrails & EZ Screen Room

RESIDENTIAL & COMMERCIAL





# About Us

## EZ Handrail® manufactured by Madden Manufacturing Co

Madden Manufacturing is a privately held and family owned company with a small business feel, known for its quality products, consistent history of success, and innovation.

Founded in 1985, owners Mike and Mary Anne Madden, pride themselves in forging a company that brings quality "Made in America" products to market. Their dedication and innovation in the building material and manufacturing industry has been recognized nationally as well as leading to the award of twelve patents.

Within Madden Manufacturing you'll find a highly skilled team of professionals offering decades of knowledge matched with state of the art welding, powder coating, and fabrication systems to ensure your success with every project.

Madden proudly services the entire continental US, most items ship same day or next day including manufactured items. Whether it's a small residential deck or large scale commercial project, make EZ Handrail® and The Home Depot your team of choice.



Powder coat finish meets AAMA 2604 & 2605 specifications

# Residential & Commercial Products

## Table of Contents

Page 3-4 EZ Handrail® 1" square baluster kits

Page 5-6 EZ Handrail® Curved Baluster Kits

Page 7-8 EZ Glass Handrail® Kits

Page 9-11 EZ Round Handrail®

Page 12-14 EZ Screen Room®  
Exclusive Zika Screen®



Visit our website for  
Installation instructions,  
Engineered Drawings,  
Installed Photos

[www.ezhandrail.com](http://www.ezhandrail.com)





# Railing Kits

Visit our website for  
Installation instructions,  
Engineered Drawings,  
Installed Photos



---

100% aluminum alloy  
for superior strength

---

4 stock colors available

---

Family-friendly construction protects  
kids and pets from constant  
splinters, and protruding nail heads.

---

International Building Code  
compliant (IBC), site specific  
drawings available

---

Powder coat finish for  
extraordinary durability and style

---

Custom colors available  
for large projects

---

Assembles and installs between  
existing posts or with EZ posts

---

RESIDENTIAL & COMMERCIAL



573.365.7085  
[www.ezhandrail.com](http://www.ezhandrail.com)



### 1" Sq. Aluminum Baluster (Picket)

**Railing Kits** Kits include rails, balusters, mounting brackets, and fasteners for wood, concrete, metal. Posts sold separately.

Model#	Description
EZ6RW	6 ft. x 36 in. Aluminum White 1 in. Baluster Railing
EZ6RHB	6 ft. x 36 in. Aluminum Textured Black 1 in. Baluster Railing
EZ6RBZ	6 ft. x 36 in. Aluminum Bronze 1 in. Baluster Railing
EZ6RDT	6 ft. x 36 in. Aluminum Desert Tan 1 in. Baluster Railing
EZ6CW	6 ft. x 42 in. Aluminum White 1 in. Baluster Railing
EZ6CHB	6 ft. x 42 in. Aluminum Textured Black 1 in. Baluster Railing
EZ6CBZ	6 ft. x 42 in. Aluminum Bronze 1 in. Baluster Railing
EZ6CDT	6 ft. x 42 in. Aluminum Desert Tan 1 in. Baluster Railing
EZ8RW	8 ft. x 36 in. Aluminum White 1 in. Baluster Railing
EZ8RHB	8 ft. x 36 in. Aluminum Textured Black 1 in. Baluster Railing
EZ8RBZ	8 ft. x 36 in. Aluminum Bronze 1 in. Baluster Railing
EZ8RDT	8 ft. x 36 in. Aluminum Desert Tan 1 in. Baluster Railing
EZ8CW	8 ft. x 42 in. Aluminum White 1 in. Baluster Railing
EZ8CHB	8 ft. x 42 in. Aluminum Textured Black 1 in. Baluster Railing
EZ8CBZ	8 ft. x 42 in. Aluminum Bronze 1 in. Baluster Railing
EZ8CDT	8 ft. x 42 in. Aluminum Desert Tan 1 in. Baluster Railing

6' Rail Section



**Ships unassembled**  
Ask about our pre-built section

### EZ Posts (Welded base)

Compatible with all products Post kits include: post cap and fasteners to mount to wood, concrete, and metal. Base covers sold separately.

Model#	Description
EZPRW-W	3 in. x 3 in. x 38 in. White Aluminum Post with Welded Base
EZPRHB-W	3 in. x 3 in. x 38 in. Textured Black Aluminum Post with Welded Base
EZPRBZ-W	3 in. x 3 in. x 38 in. Bronze Aluminum Post with Welded Base
EZPRDT-W	3 in. x 3 in. x 38 in. Desert Tan Aluminum Post with Welded Base
EZPRCV-W	3 in. x 3 in. x 38 in. Copper Vein Aluminum Post with Welded Base
EZPRSV-W	3 in. x 3 in. x 38 in. Silver Vein Aluminum Post with Welded Base
EZPCW-W	3 in. x 3 in. x 44 in. White Aluminum Post with Welded Base
EZPCHB-W	3 in. x 3 in. x 44 in. Textured Black Aluminum Post with Welded Base
EZPCBZ-W	3 in. x 3 in. x 44 in. Bronze Aluminum Post with Welded Base
EZPCDT-W	3 in. x 3 in. x 44 in. Desert Tan Aluminum Post with Welded Base
EZPCCV-W	3 in. x 3 in. x 44 in. Copper Vein Aluminum Post with Welded Base
EZPCSV-W	3 in. x 3 in. x 44 in. Silver Vein Aluminum Post with Welded Base

### EZ Base Covers; Compatible with all EZ 3x3 Posts

EZBCW-LP	3 in. x 3 in. White Aluminum EZ Post Low Profile Base Cover
EZBCHB-LP	3 in. x 3 in. Textured Black Aluminum EZ Post Low Profile Base Cover
EZBCBZ-LP	3 in. x 3 in. Bronze Aluminum EZ Post Low Profile Base Cover
EZBCDT-LP	3 in. x 3 in. Desert Tan EZ Post Low Profile Base Cover
EZBCCV-LP	3 in. x 3 in. Copper Vein Aluminum EZ Post Low Profile Base Cover
EZBCSV-LP	3 in. x 3 in. Silver Vein Aluminum EZ Post Low Profile Base Cover

### 5" x 5" Welded Base Plate



Also comes in:

White, Bronze, Desert Tan, Copper Vein, Silver Vein



Textured Black

### EZ Base Covers



Also comes in:

White, Bronze, Desert Tan, Copper Vein

### Mounting Accessories

Model#	Description
EZPMW	Pivot Mount Kit White Aluminum (2 top rail & 2 bottom rail mounts)
EZPMHB	Pivot Mount Kit Textured Black Aluminum (2 top rail & 2 bottom rail mounts)
EZPMB	Pivot Mount Kit Bronze Aluminum (2 top rail & 2 bottom rail mounts)
EZPMDT	Pivot Mount Desert Tan Aluminum (2 top rail & 2 bottom rail mounts)
EZTBPM2W	Level 1 Mount Top and Bottom White Post Mount Kit for 2.75 in. EZ Handrail®
EZTBPM2HB	Level 1 Mount Top and Bottom Textured Black Post Mount Kit for 2.75 in. EZ Handrail®
EZTBPM2BZ	Level 1 Mount Top and Bottom Bronze Post Mount Kit for 2.75 in. EZ Handrail®
EZTBPM2DT	Level 1 Mount Top and Bottom Desert Tan Post Mount Kit for 2.75 in. EZ Handrail®
EZ3BALL-W	3 in. x 3 in. White Ball Post Cap for EZ Handrail® Posts
EZ3BALL-HB	3 in. x 3 in. Textured Black Ball Post Cap for EZ Handrail® Posts
EZ3BALL-BZ	3 in. x 3 in. Bronze Ball Post Cap for EZ Handrail® Posts
EZ3BALL-DT	3 in. x 3 in. Desert Tan Ball Post Cap for EZ Handrail® Posts
EZ3BALL-CV	3 in. x 3 in. Copper Vein Ball Post Cap for EZ Handrail® Posts
EZ3BALL-SV	3 in. x 3 in. Silver Vein Ball Post Cap for EZ Handrail® Posts

### Level Kits:



Textured Black

Also comes in:

White, Bronze, Desert Tan

### Pivot Kits for Stairs & Compound Angles:

Also comes in:

White, Bronze, Desert Tan



Textured Black

### Ball Post Cap:

Also comes in:

White, Bronze, Desert Tan



Textured Black



# Curved Balusters



---

100% aluminum alloy  
for superior strength

---

6 stock colors available

---

Family-friendly construction protects  
kids and pets from constant  
splinters, and protruding nail heads.

---

Powder coat finish for  
extraordinary durability and style

---

Quickly assembles and installs  
between existing posts or with  
EZ posts

---

Custom colors available  
for large projects.

---

International Building Code  
compliant (IBC), site specific  
drawings available

---

RESIDENTIAL & COMMERCIAL



ALUMINUM HANDRAIL

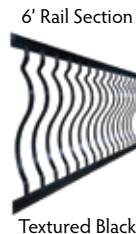
573.365.7085  
[www.ezhandrail.com](http://www.ezhandrail.com)



## EZ Curved Baluster Railing & Baluster Kits

Kits include rails, curved balusters, mounting brackets, and fasteners for wood, concrete, metal. Posts sold separately.

Model#	Description
<b>EZCB6R-HB</b>	6 ft. x 36 in. Textured Black Aluminum Curved Baluster Straight Railing Kit
<b>EZCB6C-HB</b>	6 ft. x 42 in. Textured Black Aluminum Curved Baluster Straight Railing Kit
<b>EZCB6R-SK-HB</b>	6 ft. x 36 in. Textured Black Aluminum Curved Baluster Stair Railing Kit
<b>EZCB6C-SK-HB</b>	6 ft. x 42 in. Textured Black Aluminum Curved Baluster Stair Railing Kit
<b>EZCB8R-HB</b>	8 ft. x 36 in. Textured Black Aluminum Curved Baluster Straight Railing Kit
<b>EZCB8C-HB</b>	8 ft. x 42 in. Textured Black Aluminum Curved Baluster Straight Railing Kit
<b>EZCB8R-SK-HB</b>	8 ft. x 36 in. Textured Black Aluminum Curved Baluster Stair Railing Kit
<b>EZCB8C-SK-HB</b>	8 ft. x 42 in. Textured Black Aluminum Curved Balusters Stair Railing Kit



Textured Black

## EZ Baluster Packs

<b>EZCB5PKT30-HB</b>	1 in. x 30 1/2 in. Aluminum Textured Black Curved Balusters (5-Pack)
<b>EZCB5PKT36-HB</b>	1 in. x 36 1/2 in. Aluminum Textured Black Curved Balusters (5-Pack)
<b>EZCB10PKT30-HB</b>	1 in. x 30 1/2 in. Aluminum Textured Black Curved Balusters (10-Pack)
<b>EZCB10PKT36-HB</b>	1 in. x 36 1/2 in. Aluminum Textured Black Curved Balusters (10-Pack)



Textured Black

## EZ Post Kits (Welded base)

Compatible with all products. Post includes Pyramid Cap.

Model#	Description
<b>EZPRW-W</b>	3 in. x 3 in. x 38 in. White Aluminum Post with Welded Base
<b>EZPRBZ-W</b>	3 in. x 3 in. x 38 in. Bronze Aluminum Post with Welded Base
<b>EZPRHB-W</b>	3 in. x 3 in. x 38 in. Textured Black Aluminum Post with Welded Base
<b>EZPRCV-W</b>	3 in. x 3 in. x 38 in. Copper Vein Aluminum Post with Welded Base
<b>EZPRSV-W</b>	3 in. x 3 in. x 38 in. Silver Vein Aluminum Post with Welded Base
<b>EZPRDT-W</b>	3 in. x 3 in. x 38 in. Desert Tan Post with Welded Base
<b>EZPCW-W</b>	3 in. x 3 in. x 44 in. White Aluminum Post with Welded Base
<b>EZPCBZ-W</b>	3 in. x 3 in. x 44 in. Bronze Aluminum Post with Welded Base
<b>EZPCHB-W</b>	3 in. x 3 in. x 44 in. Textured Black Aluminum Post with Welded Base
<b>EZPCCV-W</b>	3 in. x 3 in. x 44 in. Copper Vein Aluminum Post with Welded Base
<b>EZPCSV-W</b>	3 in. x 3 in. x 44 in. Silver Vein Aluminum Post with Welded Base
<b>EZPCDT-W</b>	3 in. x 3 in. x 44 in. Desert Tan Post with Welded Base
<b>EZBCW-LP</b>	3 in. x 3 in. White Aluminum EZ Post Low Profile Base Cover
<b>EZBCBZ-LP</b>	3 in. x 3 in. Bronze Aluminum EZ Post Low Profile Base Cover
<b>EZBCHB-LP</b>	3 in. x 3 in. Textured Black Aluminum EZ Post Low Profile Base Cover
<b>EZBCCV-LP</b>	3 in. x 3 in. Copper Vein Aluminum EZ Post Low Profile Base Cover
<b>EZBCSV-LP</b>	3 in. x 3 in. Silver Vein Aluminum EZ Post Low Profile Base Cover



## Mounting Kits and Accessories

Model#	Description
<b>EZCB4-HB</b>	Curved Baluster Textured Black Straight Bracket Kit (4-Piece)
<b>EZCB4SK-HB</b>	Curved Baluster Textured Black Stair Bracket Kit (4-Piece)
<b>EZ3BALL-W</b>	3 in. x 3 in. White Ball Post Cap for EZ Handrail® Posts
<b>EZ3BALL-BZ</b>	3 in. x 3 in. Bronze Ball Post Cap for EZ Handrail® Posts
<b>EZ3BALL-HB</b>	3 in. x 3 in. Textured Black Ball Post Cap for EZ Handrail® Posts
<b>EZ3BALL-CV</b>	3 in. x 3 in. Copper Vein Ball Post Cap for EZ Handrail® Posts
<b>EZ3BALL-SV</b>	3 in. x 3 in. Silver Vein Ball Post Cap for EZ Handrail® Posts

## Post Caps

### Level Kits:



Textured Black

### Ball Post Cap:

Also comes in:

White, Bronze, Desert Tan, Copper Vein, Silver Vein



### Pivot Kits:



Textured Black



**Ships unassembled**  
Ask about our pre-built section

**Post Kit includes: 5" x 5" Welded Base Plate + Pyramid Cap**

**2 - 5 Day Lead Times support@ezhandrail.com**



573.365.7085





# 8" Glass Baluster Railing Kits



Includes 1/4 in. clear tempered glass with 100% aluminum alloy framing for superior strength

Low maintenance powder coat finish frame

Family-friendly construction protects kids and pets from constant splinters, and protruding nail heads.

Rubber silicone glass locking system contains UV inhibitors and anti-fungal properties to maintain beauty and structural integrity

4 stock colors available

Quickly assembles and installs between existing posts or with EZ posts

International Building Code Compliant (IBC), site specific drawings available



# Solid Glass Panel Railing Kits

RESIDENTIAL & COMMERCIAL



573.365.7085

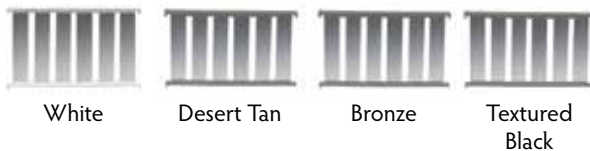
[www.ezhandrail.com](http://www.ezhandrail.com)



### EZ 8" Glass Baluster Railing Kits

Kits include rails, glass balusters, mounting brackets, and fasteners for wood, concrete, metal. Posts sold separately. **5 Day Leadtime**

Model#	Description
<b>EZG600</b>	6 ft. x 36 in. White Aluminum Frame Glass Baluster Railing Kit
<b>EZG610</b>	6 ft. x 36 in. Bronze Aluminum Frame Glass Baluster Railing Kit
<b>EZG615</b>	6 ft. x 36 in. Textured Black Aluminum Frame Glass Baluster Railing Kit
<b>EZG660</b>	6 ft. x 36 in. Desert Tan Aluminum Frame Glass Baluster Railing Kit
<b>EZG620</b>	6 ft. x 42 in. White Aluminum Frame Glass Baluster Railing Kit
<b>EZG630</b>	6 ft. x 42 in. Bronze Aluminum Frame Glass Baluster Railing Kit
<b>EZG635</b>	6 ft. x 42 in. Textured Black Aluminum Frame Glass Baluster Railing Kit
<b>EZG665</b>	6 ft. x 42 in. Desert Tan Aluminum Frame Glass Baluster Railing Kit
<b>EZG800</b>	8 ft. x 36 in. White Aluminum Frame Glass Baluster Railing Kit
<b>EZG810</b>	8 ft. x 36 in. Bronze Aluminum Frame Glass Baluster Railing Kit
<b>EZG815</b>	8 ft. x 36 in. Textured Black Aluminum Frame Glass Baluster Railing Kit
<b>EZG860</b>	8 ft. x 36 in. Desert Tan Aluminum Frame Glass Baluster Railing Kit
<b>EZG820</b>	8 ft. x 42 in. White Aluminum Frame Glass Baluster Railing Kit
<b>EZG830</b>	8 ft. x 42 in. Bronze Aluminum Frame Glass Baluster Railing Kit
<b>EZG842</b>	8 ft. x 42 in. Textured Black Aluminum Frame Glass Baluster Railing Kit
<b>EZG865</b>	8 ft. x 42 in. Desert Tan Aluminum Frame Glass Baluster Railing Kit



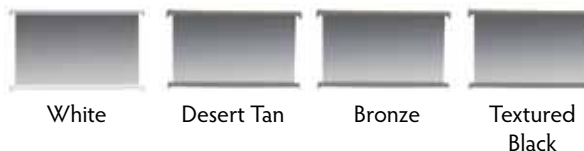
**Ships unassembled**

### EZ Solid Glass Panel Railing

Kits include rails, solid glass panels, mounting brackets, and fasteners for wood, concrete, metal. Posts sold separately. **(1/4" Glass Sold Separately, 21 Day Leadtime)**

Model#	Description
<b>EZG600-NG</b>	6 ft. x 36 In. White Aluminum Railing Frame for Solid Glass Panels
<b>EZG615-NG</b>	6 ft. x 36 In. Textured Black Aluminum Railing Frame for Solid Glass Panels
<b>EZG610-NG</b>	6 ft. x 36 In. Bronze Aluminum Railing Frame for Solid Glass Panels
<b>EZG660-NG</b>	6 ft. x 36 In. Desert Tan Railing Frame for Solid Glass Panels
<b>EZG620-NG</b>	6 ft. x 42 In. White Aluminum Railing Frame for Solid Glass Panels
<b>EZG635-NG</b>	6 ft. x 42 In. Textured Black Aluminum Railing Frame for Solid Glass Panels
<b>EZG630-NG</b>	6 ft. x 42 In. Bronze Aluminum Railing Frame for Solid Glass Panels
<b>EZG665-NG</b>	6 ft. x 42 In. Desert Tan Railing Frame for Solid Glass Panels
<b>EZG800-NG</b>	8 ft. x 36 In. White Aluminum Railing Frame for Solid Glass Panels
<b>EZG815-NG</b>	8 ft. x 36 In. Textured Black Aluminum Railing Frame for Solid Glass Panels
<b>EZG810-NG</b>	8 ft. x 36 In. Bronze Aluminum Railing Frame for Solid Glass Panels
<b>EZG860-NG</b>	8 ft. x 36 In. Desert Tan Railing Frame for Solid Glass Panels
<b>EZG820-NG</b>	8 ft. x 42 In. White Aluminum Railing Frame for Solid Glass Panels
<b>EZG842-NG</b>	8 ft. x 42 In. Textured Black Aluminum Railing Frame for Solid Glass Panels
<b>EZG830-NG</b>	8 ft. x 42 In. Bronze Aluminum Railing Frame for Solid Glass Panels
<b>EZG865-NG</b>	8 ft. x 42 In. Desert Tan Railing Frame for Solid Glass Panels
<b>EZGSQFT-PANEL</b>	1/4 In. Tempered Glass Panels - Custom Sized per order

Glass Kits compatible with all EZ Posts shown previously



### Additional Components & Accessories:

Model#	Description
<b>EZG105</b>	EZ Glass Railing Top & Bottom White Post Mounts
<b>EZG107</b>	EZ Glass Railing Top & Bottom Textured Black Post Mounts
<b>EZG106</b>	EZ Glass Railing Top & Bottom Bronze Post Mounts
<b>EZG108</b>	EZ Glass Railing Top & Bottom Desert Tan Post Mounts
<b>EZPMW</b>	Pivot Mount Kit White Aluminum (2 top rail & 2 bottom rail mounts)
<b>EZPMHB</b>	Pivot Mount Kit Textured Black Aluminum (2 top rail & 2 bottom rail mounts)
<b>EZPMB</b>	Pivot Mount Kit Bronze Aluminum (2 top rail & 2 bottom rail mounts)
<b>EZPMDT</b>	Pivot Mount Kit Desert Tan Aluminum (2 top rail & 2 bottom rail mounts)
<b>EZG110</b>	25 ft. Silicone Glass Spline for White Glass Railing
<b>EZG111</b>	25 ft. Silicone Glass Spline for Bronze and Black Glass Railing
<b>EZG112</b>	1 in. Silicone Glass Setting Blocks (16 pcs)
<b>EZG825</b>	8 in. x 30 in Tempered Glass Baluster for Residential 36 in. Railing
<b>EZG835</b>	8 in. x 35 in Tempered Glass Baluster for Residential 42 in. Railing
<b>EZG120</b>	3.75 in. Silicone Glass Spacer for White Glass Baluster Railing (18 pcs)
<b>EZG121</b>	3.75 in. Silicone Glass Spacer for Textured Black Glass Baluster Railing (18 pcs)

(Use when Railing Kit is cut into two sections)




Use pivot mounts for stairs & compound angles. See photo on page 3. Model #'s on page 2







# Round ADA Handrail Kits & Components



---

6 stock colors available

---

1.9" diameter handrail

---

Powder coat finish for  
extraordinary durability and style

---

ADA Code Compliant

---

Custom colors available  
for large projects

---

Quickly assembles and  
installs to existing posts/walls  
or with EZ posts

---

RESIDENTIAL & COMMERCIAL



ALUMINUM HANDRAIL

573.365.7085  
[www.ezhandrail.com](http://www.ezhandrail.com)



### EZ ADA 1.9" Round Handrail Kits

with Wall Return Ends & Brackets

All models include wall returns and mounting brackets for interior & exterior use

### EZ ADA 1.9" Round Handrail Kits

with End Caps & Brackets

All models include end caps and mounting brackets for interior & exterior use

Model# & Description	Model# & Description
<b>EZA3KWR-W</b> 1.9 in. x 36 in. Round White Aluminum Handrail	<b>EZA8KWR-W</b> 1.9 in. x 96 in. Round White Aluminum Handrail
<b>EZA3KWR-HB</b> 1.9 in. x 36 in. Round Textured Black Aluminum Handrail	<b>EZA8KWR-HB</b> 1.9 in. x 96 in. Round Textured Black Aluminum Handrail
<b>EZA3KWR-BZ</b> 1.9 in. x 36 in. Round Charcoal Bronze Aluminum Handrail	<b>EZA8KWR-BZ</b> 1.9 in. x 96 in. Round Charcoal Bronze Aluminum Handrail
<b>EZA3KWR-DT</b> 1.9 in. x 36 in. Round Desert Tan Aluminum Handrail	<b>EZA8KWR-DT</b> 1.9 in. x 96 in. Round Desert Tan Aluminum Handrail
<b>EZA3KWR-CV</b> 1.9 in. x 36 in. Round Copper Vein Aluminum Handrail	<b>EZA8KWR-CV</b> 1.9 in. x 96 in. Round Copper Vein Aluminum Handrail
<b>EZA3KWR-SV</b> 1.9 in. x 36 in. Round Silver Vein Aluminum Handrail	<b>EZA8KWR-SV</b> 1.9 in. x 96 in. Round Silver Vein Aluminum Handrail
<b>EZA4KWR-W</b> 1.9 in. x 48 in. Round White Aluminum Handrail	<b>EZA12KWR-W</b> 1.9 in. x 144 in. Round White Aluminum Handrail
<b>EZA4KWR-HB</b> 1.9 in. x 48 in. Round Textured Black Aluminum Handrail	<b>EZA12KWR-HB</b> 1.9 in. x 144 in. Round Textured Black Aluminum Handrail
<b>EZA4KWR-BZ</b> 1.9 in. x 48 in. Round Charcoal Bronze Aluminum Handrail	<b>EZA12KWR-BZ</b> 1.9 in. x 144 in. Round Charcoal Bronze Aluminum Handrail
<b>EZA4KWR-DT</b> 1.9 in. x 48 in. Round Desert Tan Aluminum Handrail	<b>EZA12KWR-DT</b> 1.9 in. x 144 in. Round Desert Tan Aluminum Handrail
<b>EZA4KWR-CV</b> 1.9 in. x 48 in. Round Copper Vein Aluminum Handrail	<b>EZA12KWR-CV</b> 1.9 in. x 144 in. Round Copper Vein Aluminum Handrail
<b>EZA4KWR-SV</b> 1.9 in. x 48 in. Round Silver Vein Aluminum Handrail	<b>EZA12KWR-SV</b> 1.9 in. x 144 in. Round Silver Vein Aluminum Handrail
<b>EZA6KWR-W</b> 1.9 in. x 72 in. Round White Aluminum Handrail	<b>EZA16KWR-W</b> 1.9 in. x 192 in. Round White Aluminum Handrail
<b>EZA6KWR-HB</b> 1.9 in. x 72 in. Round Textured Black Aluminum Handrail	<b>EZA16KWR-HB</b> 1.9 in. x 192 in. Round Textured Black Aluminum Handrail
<b>EZA6KWR-BZ</b> 1.9 in. x 72 in. Round Charcoal Bronze Aluminum Handrail	<b>EZA16KWR-BZ</b> 1.9 in. x 192 in. Round Charcoal Bronze Aluminum Handrail
<b>EZA6KWR-DT</b> 1.9 in. x 72 in. Round Desert Tan Aluminum Handrail	<b>EZA16KWR-DT</b> 1.9 in. x 192 in. Round Desert Tan Aluminum Handrail
<b>EZA6KWR-CV</b> 1.9 in. x 72 in. Round Copper Vein Aluminum Handrail	<b>EZA16KWR-CV</b> 1.9 in. x 192 in. Round Copper Vein Aluminum Handrail
<b>EZA6KWR-SV</b> 1.9 in. x 72 in. Round Silver Vein Aluminum Handrail	<b>EZA16KWR-SV</b> 1.9 in. x 192 in. Round Silver Vein Aluminum Handrail

Model# & Description	Model# & Description
<b>EZA3KIT-W</b> 1.9 in. x 36 in. Round White Aluminum Handrail	<b>EZA8KIT-W</b> 1.9 in. x 96 in. Round White Aluminum Handrail
<b>EZA3KIT-HB</b> 1.9 in. x 36 in. Round Textured Black Aluminum Handrail	<b>EZA8KIT-HB</b> 1.9 in. x 96 in. Round Textured Black Aluminum Handrail
<b>EZA3KIT-BZ</b> 1.9 in. x 36 in. Round Charcoal Bronze Aluminum Handrail	<b>EZA8KIT-BZ</b> 1.9 in. x 96 in. Round Charcoal Bronze Aluminum Handrail
<b>EZA3KIT-DT</b> 1.9 in. x 36 in. Round Desert Tan Aluminum Handrail	<b>EZA8KIT-DT</b> 1.9 in. x 96 in. Round Desert Tan Aluminum Handrail
<b>EZA3KIT-CV</b> 1.9 in. x 36 in. Round Copper Vein Aluminum Handrail	<b>EZA8KIT-CV</b> 1.9 in. x 96 in. Round Copper Vein Aluminum Handrail
<b>EZA3KIT-SV</b> 1.9 in. x 36 in. Round Silver Vein Aluminum Handrail	<b>EZA8KIT-SV</b> 1.9 in. x 96 in. Round Silver Vein Aluminum Handrail
<b>EZA4KIT-W</b> 1.9 in. x 48 in. Round White Aluminum Handrail	<b>EZA12KIT-W</b> 1.9 in. x 144 in. Round White Aluminum Handrail
<b>EZA4KIT-HB</b> 1.9 in. x 48 in. Round Textured Black Aluminum Handrail	<b>EZA12KIT-HB</b> 1.9 in. x 144 in. Round Textured Black Aluminum Handrail
<b>EZA4KIT-BZ</b> 1.9 in. x 48 in. Round Charcoal Bronze Aluminum Handrail	<b>EZA12KIT-BZ</b> 1.9 in. x 144 in. Round Charcoal Bronze Aluminum Handrail
<b>EZA4KIT-DT</b> 1.9 in. x 48 in. Round Desert Tan Aluminum Handrail	<b>EZA12KIT-DT</b> 1.9 in. x 144 in. Round Desert Tan Aluminum Handrail
<b>EZA4KIT-CV</b> 1.9 in. x 48 in. Round Copper Vein Aluminum Handrail	<b>EZA12KIT-CV</b> 1.9 in. x 144 in. Round Copper Vein Aluminum Handrail
<b>EZA4KIT-SV</b> 1.9 in. x 48 in. Round Silver Vein Aluminum Handrail	<b>EZA12KIT-SV</b> 1.9 in. x 144 in. Round Silver Vein Aluminum Handrail
<b>EZA6KIT-W</b> 1.9 in. x 72 in. Round White Aluminum Handrail	<b>EZA16KIT-W</b> 1.9 in. x 192 in. Round White Aluminum Handrail
<b>EZA6KIT-HB</b> 1.9 in. x 72 in. Round Textured Black Aluminum Handrail	<b>EZA16KIT-HB</b> 1.9 in. x 192 in. Round Textured Black Aluminum Handrail
<b>EZA6KIT-BZ</b> 1.9 in. x 72 in. Round Charcoal Bronze Aluminum Handrail	<b>EZA16KIT-BZ</b> 1.9 in. x 192 in. Round Charcoal Bronze Aluminum Handrail
<b>EZA6KIT-DT</b> 1.9 in. x 72 in. Round Desert Tan Aluminum Handrail	<b>EZA16KIT-DT</b> 1.9 in. x 192 in. Round Desert Tan Aluminum Handrail
<b>EZA6KIT-CV</b> 1.9 in. x 72 in. Round Copper Vein Aluminum Handrail	<b>EZA16KIT-CV</b> 1.9 in. x 192 in. Round Copper Vein Aluminum Handrail
<b>EZA6KIT-SV</b> 1.9 in. x 72 in. Round Silver Vein Aluminum Handrail	<b>EZA16KIT-SV</b> 1.9 in. x 192 in. Round Silver Vein Aluminum Handrail

Round Handrail Kits compatible with all EZ Posts shown previously



Textured Black



Copper Vein

Charcoal Bronze

White



Silver Vein

Desert Tan



White



Copper Vein

Charcoal Bronze

Textured Black



Silver Vein

Desert Tan

**Ships unassembled**

\* Brackets unassembled to fit your install needs

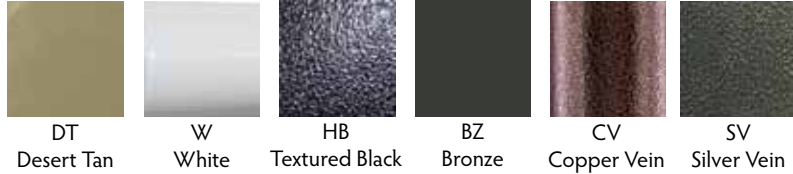




# ADA 1.9" Round Handrail & Components

All components include necessary 3" splices for attachment

Components come in these colors  
Use color code in place of "X" for model



**Model No.** EZA100-6X  
**Description** Aluminum ADA Handrail 1.9" Round x 6 ft.(pipe only)



**Model No.** EZA100-8X  
**Description** Aluminum ADA Handrail 1.9" Round x 8 ft. (pipe only)



**Model No.** EZA100-24X  
**Description** Aluminum ADA Handrail 1.9" Round x 24 ft. (pipe only)



**Model No.** EZA200-X  
**Description** ADA Handrail Wall Bracket



**Model No.** EZA575-X  
**Description** ADA Handrail Wall Return (Cap doesn't fit)



**Model No.** EZA300-X  
**Description** ADA Handrail End Loop (410 End Caps Sold Separately)



**Model No.** EZA325-X  
**Description** ADA Stair End Loop (410 End Caps Sold Separately)



**Model No.** EZA400-X (no splice)  
**Description** ADA Handrail End Bracket (wall mount, exterior fit)



**Model No.** EZA410-X (no splice)  
**Description** ADA Handrail End Cap (interior fit)



**Model No.** EZA500-X  
**Description** ADA Handrail Miter Elbow 90°



**Model No.** EZA712-X  
**Description** ADA Handrail 1-12 Slope Ramp Elbow



**Model No.** EZA734-X  
**Description** ADA Handrail 34 Degree Stair Elbow



**Model No.** EZA585-X  
**Description** ADA Handrail Radius Elbow 90°



**Model No.** EZA555-X (no splice)  
**Description** ADA Handrail Adjustable Angle



**Model No.** EZA600-M  
**Description** ADA Handrail 3" Internal Splice - Mill



**Model No.** EZA650-M  
**Description** ADA Handrail 5" Internal Splice - Mill



**Model No.** EZTUPX  
**Description** Touch-up Paint 1 oz. (only available in Desert Tan, White, Bronze, Textured Black)





# EZ Screen Rooms



RESIDENTIAL & COMMERCIAL



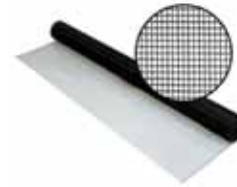
ALUMINUM HANDRAIL

573.365.7085  
[www.ezhandrail.com](http://www.ezhandrail.com)

Visit our website for directions



# EZ Screen Room Extrusions & Components



## 1 x 2 Open Back -

Available in 8',10',12',24' lengths

Model #	Description
<b>OB1X8-W</b>	8 ft. x 1 in. x 2 in. White Open Back Aluminum Extrusion
<b>OB1X8-BZ</b>	8 ft. x 1 in. x 2 in. Bronze Open Back Aluminum Extrusion
<b>OB1X10-W</b>	10 ft. x 1 in. x 2 in. White Open Back Aluminum Extrusion
<b>OB1X10-BZ</b>	10 ft. x 1 in. x 2 in. Bronze Open Back Aluminum Extrusion
<b>OB1X12-W</b>	12 ft. x 1 in. x 2 in. White Open Back Aluminum Extrusion
<b>OB1X12-BZ</b>	12 ft. x 1 in. x 2 in. Bronze Open Back Aluminum Extrusion
<b>OB1X24-W</b>	24 ft. x 1 in. x 2 in. White Open Back Aluminum Extrusion
<b>OB1X24-BZ</b>	24 ft. x 1 in. x 2 in. Bronze Open Back Aluminum Extrusion

## 2 x 2 Post -

Available in 8',10',12',24' lengths

Model #	Description
<b>PH2X8-W</b>	8 ft. x 2 in. x 2 in. White Aluminum Extrusion w/Spline Track
<b>PH2X8-BZ</b>	8 ft. x 2 in. x 2 in. Bronze Aluminum Extrusion w/Spline Track
<b>PH2X10-W</b>	10 ft. x 2 in. x 2 in. White Aluminum Extrusion w/Spline Track
<b>PH2X10-BZ</b>	10 ft. x 2 in. x 2 in. Bronze Aluminum Extrusion w/Spline Track
<b>PH2X12-W</b>	12 ft. x 2 in. x 2 in. White Aluminum Extrusion w/Spline Track
<b>PH2X12-BZ</b>	12 ft. x 2 in. x 2 in. Bronze Aluminum Extrusion w/Spline Track
<b>PH2X24-W</b>	24 ft. x 2 in. x 2 in. White Aluminum Extrusion w/Spline Track
<b>PH2X24-BZ</b>	24 ft. x 2 in. x 2 in. Bronze Aluminum Extrusion w/Spline Track

## Fiberglass Screen

18 x 14 Mesh, Charcoal

Model #	Description
<b>SCREEN48</b>	Charcoal Black Screen, Fiberglass 4' X 100' Roll
<b>SCREEN60</b>	Charcoal Black Screen, Fiberglass 5' X 100' Roll
<b>SCREEN72</b>	Charcoal Black Screen, Fiberglass 6' X 100' Roll
<b>SCREEN84</b>	Charcoal Black Screen, Fiberglass 7' X 100' Roll
<b>SCREEN96</b>	Charcoal Black Screen, Fiberglass 8' X 100' Roll
<b>SCREEN108</b>	Charcoal Black Screen, Fiberglass 9' X 100' Roll

## Screen Doors

Includes handle, closer, door stop & sweep (require door frame)

**SD3068-WH**  
36 in. x 80 in. White Field Reversible Screen Door w/8" Kick Plate - Hardware incl.



**SD3068-BZ**  
36 in. x 80 in. Bronze Field Reversible Screen Door w/8" Kick Plate - Hardware incl.



**EZSR100SBLK**  
100 ft. Black flat Spline  
**EZSR1000S-RL**  
1000 ft. Black flat Spline



**EZSRFOW**  
White Fasteners Only Kit  
**EZSRFOBZ**  
Bronze Fasteners Only Kit



**EZSRCCW**  
White L - Angle Capri Clip with Fasteners  
**EZSRCCBZ**  
Bronze L - Angle Capri Clip with Fasteners



**EZSRSRDEH**  
Screen Roller Tool

## Screen Wall Kits

Model #	Description
<b>EZSR810CRW</b>	8' Wide X 10' Tall White Aluminum Screen Panel Kit w/ Fiberglass Screen
<b>EZSR810CRBZ</b>	8' Wide X 10' Tall Bronze Aluminum Screen Panel Kit w/ Fiberglass Screen

## Screen Rail Kits

Model #	Description
<b>EZSRK88R-WH</b>	8 ft. W x 8 ft. H White Aluminum 36" Screen Rail Kit w/ Fiberglass Screen
<b>EZSRK88R-BZ</b>	8 ft. W x 8 ft. H Bronze Aluminum 36" Screen Rail Kit w/ Fiberglass Screen
<b>EZSRK88C-WH</b>	8 ft. W x 8 ft. H White Aluminum 42" Screen Rail Kit w/ Fiberglass Screen
<b>EZSRK88C-BZ</b>	8 ft. W x 8 ft. H Bronze Aluminum 42" Screen Rail Kit w/ Fiberglass Screen

## SCREEN RAIL COMPONENTS (A LA CARTE):

<b>OB2X8-WH</b>	8 ft. Aluminum 2x2 in. White Open Back for Screen Rail
<b>OB2X8-BZ</b>	8 ft. Aluminum 2x2 in. Bronze Open Back for Screen Rail
<b>TSM8-WH-P</b>	Top Snap Plate White 8 ft. Mates with Screen Rail 2x2 Open Back
<b>TSM8-BZ-P</b>	Top Snap Plate Bronze 8 ft. Mates with Screen Rail 2x2 Open Back
<b>PKT34-WH</b>	1 in. x 38 in. White Aluminum Baluster
<b>PKT34-BZ</b>	1 in. x 38 in. Bronze Aluminum Baluster
<b>PKT38-WH</b>	1 in. x 38 in. White Aluminum Baluster
<b>PKT38-BZ</b>	1 in. x 38 in. Bronze Aluminum Baluster



573.365.7085





## Step by step Instructions

### Step 1

Measure and cut the (A) 2x2" Open Back bottom AND (A) 2x2" Midrail to fit firmly between your vertical posts or walls. Using wood or concrete screws, fasten ONLY the 2x2" bottom rail along the floor with the open side up. **IMPORTANT** – Make sure the spline groove is facing the desired direction. We recommend facing the screen in for elevated enclosures.

### Step 2

BEFORE cutting the two pieces of the (B) Railing Snap, align the end holes equidistant from each vertical post or wall. Then cut equal amounts from both ends of each Railing Snap so the pieces fit with uniform hole spacing in opening. \*Ensure holes align for both pieces.

### Step 3

Align (C) 1" Sq. Balusters holes to predrilled holes on the smooth side of (B) Railing Snap. Fasten each baluster with two 1.5" SMS fasteners. Continue fastening all necessary balusters.

### Step 4

Repeat Step 3 at the other end of the (C) "1" Sq. Balusters" to create your railing section

### Step 5

Snap railing section into secured (A) 2x2" Bottom Rail.

### Step 6

Snap (A) 2x2" Top Rail onto railing assembly. **IMPORTANT:** make sure that the spline grooves face the same direction (diagram A).

### Step 7

Secure top rail to existing posts or walls with (D) Capri Clips and (F) 3/4" Self Drilling Fasteners.

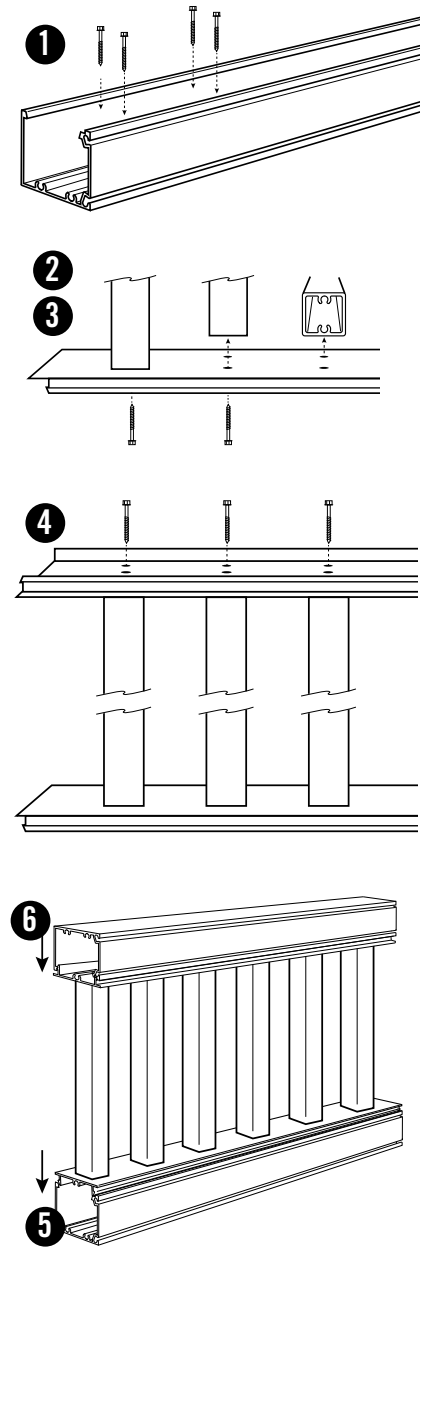
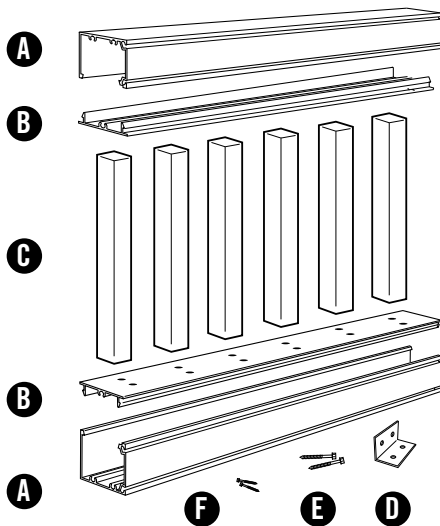
## Overview:

This instruction set shows the fabrication of the integrated railing portion of your screen enclosure. Additional steps are necessary for a complete screen enclosure.

## Parts:

- A. (2) 2x2" Open back (top and bottom rails)
- B. (2) Railing snap (top and bottom rails)
- C. (20) 1" Square Balusters per 8' ft.
- D. (2) Capri Clips
- E. (4) 1.5" Fasteners per baluster
- F. (8) 3/4" Self Drilling Fasteners

Kits come in 8' lengths



**IMPORTANT**  
Make sure the spline groove is facing the desired direction.





**1. For a time of 10 years the manufacture warrants to the original purchaser that the item will not peel or blister as a direct result of defects solely arising from its manufacture process.**

**Notice of Claims**

To procure performance of Madden Manufacturing 's obligation under this warranty, you must simply notify Madden Manufacturing of your claim within thirty (30) days after the occurrence of damage covered by this warranty. Your notice must be in writing, mailed by certified mail or delivered to Madden Manufacturing, Warranty Service (PO Box 466 Lake Ozark, MO 65049). This notice must (a) describe the defect claimed to exist, (b) give your name as it appears on this warranty, (c) give the purchase date and the name and address of the contractor who installed the product, and (d) include proof of purchase along with photos.

**Inspection**

Madden Manufacturing shall be given a reasonable opportunity to inspect the alleged defect on the property, or it may require a sample of the installed material sent in, before any repair, refinishing or replacement is begun. Madden Manufacturing or its appointee shall perform its inspection within one hundred twenty (120) days after receiving notice of the claim unless prevented by weather or other causes not under its reasonable control in which case Madden Manufacturing will inspect within a reasonable time.

**Settlement**

If after inspection it is determined that your claim is covered by this warranty, Madden Manufacturing shall, at its option, either, (a) repair, (b) refinish or (c) replace those items found to have the defects warranted against or pay an amount in cash equivalent to the cost of the remedy elected by Madden Manufacturing based upon Madden Manufacturing reserves the right to discontinue any of its products or make any changes in any of items products or make any changes in any of its products during the term of this warranty. If the products covered by this warranty are not available, Madden Manufacturing shall have the right to substitute a product that, in Madden Manufacturing's sole discretion, is of equal quality or value. It is recognized that, in the event of such substitution, a perfect match may not always be possible. Your rights under this warranty shall end when Madden Manufacturing makes a repair, refinishing, replacement or payment under this warranty.

**Limitations**

Madden Manufacturing cannot be responsible of damages from causes outside of its control. The following are samples of external causes of product failure which are not manufacturing defects and which are not covered by this warranty:

- (a) Normal weathering: normal weathering is defined as exposure to sunlight and extremes of weather and atmosphere which will cause any colored or painted surface to gradually fade, chalk or suffer an accumulation of surface dirt, stains or fungus. The severity of any of these conditions depends upon the geographical location of your home, the cleanliness of the air in your area and many other local influences over which Madden Manufacturing has no control:
- (b) Damage caused by faulty or improper installation or application of the handrail, or settlement, distortion, or warping.
- (c) Earthquake, hurricane, tornado, cyclone, gale, lightning, fire, acts of God, flood, wind-borne objects, ice, or weather of a catastrophic nature as defined by the United States Weather Bureau:
- (d) Damage caused by atmospheric pollution, acid rain, salt spray, and other harmful chemicals, fumes or vapors directly applied to the handrail or in the atmosphere:
- (e) Lap abrasion, vandalism, misuse, physical abuse, riot, insurrection or civil disorder:
- (f) Negligence in, or failure to provide, reasonable and necessary maintenance of the handrail to prevent an accumulation of surface dirt, chalk, staining, salt, mildew or fungus.

**BRIEFLY, WE ASSUME THE RESPONSIBILITY ONLY FOR DAMAGES WHICH ARE CAUSED BY MANUFACTURING DEFECTS IN OUR PRODUCT. MADDEN MANUFACTURING SHALL NOT BE RESPONSIBLE FOR ANY INJURIES TO PERSONS OR DAMAGES TO PURCHASER'S PREMISES OR THE CONTENTS THEREIN NOR FOR INCIDENTAL, SPECIAL OR CONSEQUENTIAL DAMAGES. NO DISTRIBUTOR, DEALER, CONTRACTOR OR APPLICATOR IS AUTHORIZED TO OBLIGATE MADDEN MANUFACTURING IN ANY MANNER EXCEPT TO AUTHENTICATE THE ISSUANCE OF THIS WARRANTY.**

**Documentation of Issuance**

In the event of a claim under this warranty, you agree to supply adequate and reasonable proof upon Madden Manufacturing's request that you are the person to whom the warranty was originally issued.