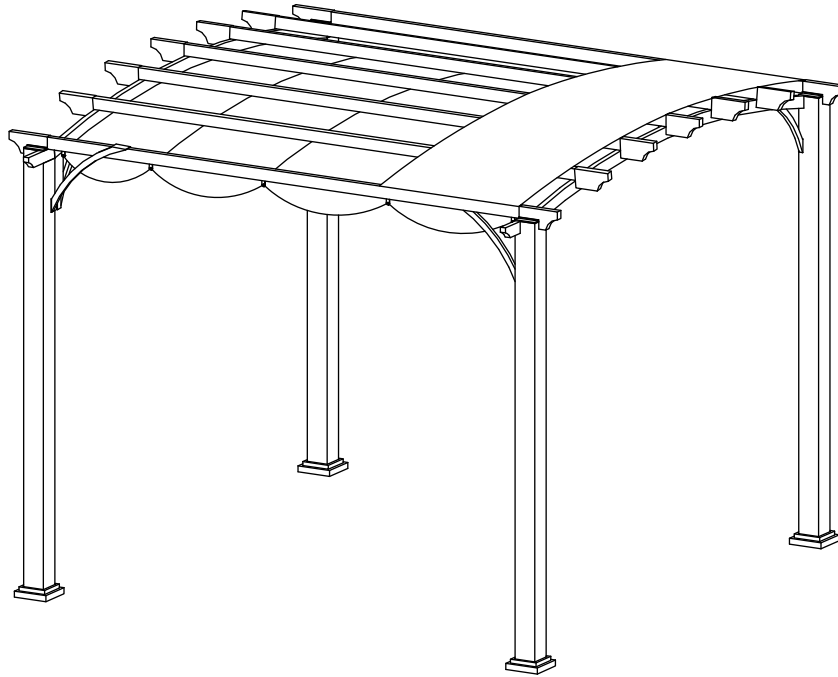


10'x10' pergola Instruction Manuel

D-PG141PCO



IMPORTANT

Thank you very much for choosing Sunjoy Group.

Please take time to read these instructions thoroughly and follow each step carefully for safe and easy operation. Keep this manual for future reference.

We would like to hear from you with any comments or suggestions. You can call us toll-free at 1-866-578-6569 from 8:00 a.m. EST to 8:00 p.m. PST. You can also send the email to customer.care@sunjoygroup.com or visit www.sunjoyonline.com to get tech. assistance or to place your replacement part order form.


Production Number:xxxxxxx


Table of Contents


Table of Contents.....	2	Pre-Assembly	3
Safety Information.....	2	Planning assembly.....	3
Warranty.....	2	Hardware Included.....	3
What is Covered	2	Package Contents	4
What is Not Covered	2	Assembly	6
		Care and Cleaning	10


Safety Information

1. More than six people are required for this assembly.
2. Some parts may contain sharp edges. Wear protective gloves.
3. When assembling and using this product, basic safety precautions should always be followed to reduce the risk of personal injury and damage to equipment. Please read all instructions before assembly and usage.

 **DANGER:** This unit is heavy! Do not assemble this item alone.

 **WARNING:** Do not leave the pergola where there is a risk of high wind, as possible damage will occur to the structure.

 **WARNING:** Keep all flame and heat sources away from this pergola fabric. This pergola is made with fabric that meets CPAI-84 specifications for flame resistance. It is not fire proof. The fabric will burn if left in continuous contact with any flame source. The application of any foreign substance to the pergola fabric may render the flame-resistant properties ineffective.

 **CAUTION:** Do not climb on top of the pergola. Falling off the pergola can result in serious injury, possibly even death.

NOTICE: For outdoor use only.

Warranty

1 YEAR WARRANTY

WHAT IS COVERED

This limited warranty is extended to the original purchaser and applies to defects in materials and workmanship of your item provided the item is maintained with care and used only for personal, residential purposes. The item is warranted to be free from defects in material or workmanship for a period of 1 years.

WHAT IS NOT COVERED

We do not reimburse for transportation of delivery costs, or compensate the individual or any outside party for assembling or disassembling the product.

Pre-Assembly

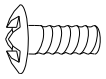
PLANNING ASSEMBLY

Before beginning assembly of this product, make sure all parts are present. Compare parts with the Hardware Included and Package Contents lists. If any part is missing or damaged, do not attempt to assemble the product. Contact customer service for replacement parts.

HARDWARE INCLUDED



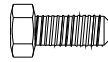
NOTE: Hardware not shown to actual size.



___AA



___BB



___CC



___DD



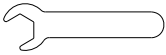
___EE



___FF



___GG



___Z

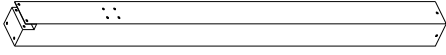
Part	Description	Quantity
AA	M6 X 15 Bolt	30
BB	M6 Washer (Large)	130
CC	M6 X 20 Bolt	82
DD	M6 X 45 Bolt	8
EE	M6 X 75 Bolt	10
FF	∅ 6*180 "7" Type Stake	16
GG	M6 X 80 Setscrew	16
Z	M6 Wrench	1

ADDITIONAL HARDWARE

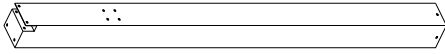
Part	Description	Quantity
AA	M6 X 15 Bolt	2
BB	M6 Washer (Large)	7
CC	M6 X 20 Bolt	5
DD	M6 X 45 Bolt	1
EE	M6 X 75 Bolt	1
FF	∅ 6*180 "7" Type Stake	1
GG	M6 X 80 Setscrew	1
Z	M6 Wrench	1

Pre-Assembly (continued)

PACKAGE CONTENTS



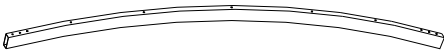
___A1



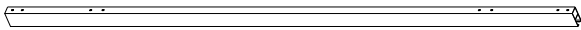
___A2



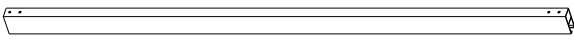
___B1



___B2



___C

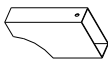


___D

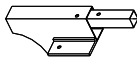


___D

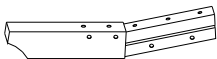
___E



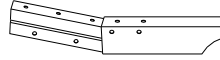
___F



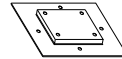
___G



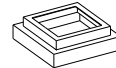
___H



___I



___J



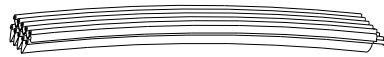
___K



___L



___M



___N



___O



___P



___Q1



___Q2



___R1



___R2

Pre-Assembly (continued)

Part	Description	Quantity
A1	Post 1	2
A2	Post 2	2
B1	Curve Bar1 (With Magnet)	1
B2	Curve Bar 2	1
C	Side small beam	2
D	Middle small beam	1
E	Small beam	4
F	Decorative cover 1	10
G	Decorative cover 2	4
H	Left curve beam connector	2
I	Right curve beam connector	2
J	Stake base	4
K	Stake cover	4
L	Wheel 1	10
M	Wheel 2	5
N	Canopy	1
O	Top cover	1
P	Connector curve	4
Q1	Left Curve support 1	2
Q2	Right Curve support 1	2
R1	Left Curve support 2	2
R2	Right Curve support 2	2

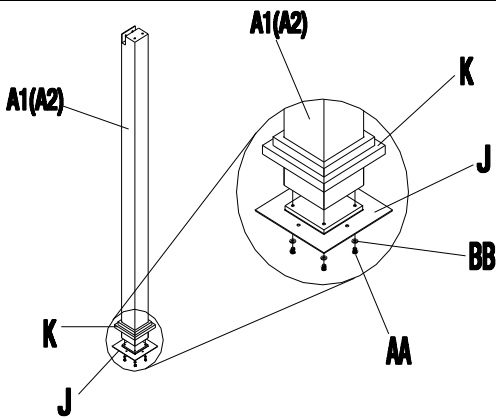
Assembly

1 Connecting the Stakes

- Insert the Stake Covers (K) into the posts (A1&A2). Connect the Stake Bases (J) to the Posts (A1&A2) using Bolts (AA) and Washers (BB).



NOTE: To avoid destroying the finish, do not put the parts on the ground directly.

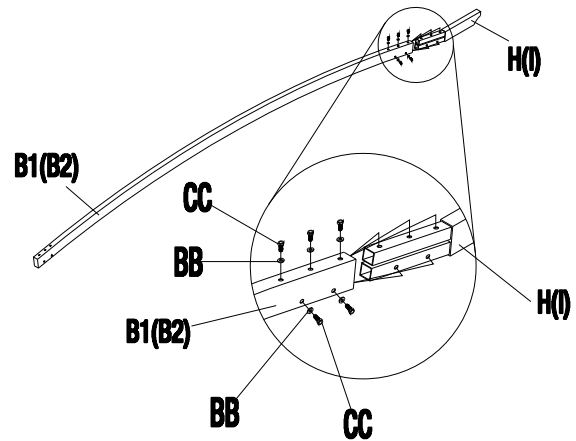


2 Attaching the Curve Beams

- Attach the Curve Beam Connectors (H&I) to the Curve Bars (B1&B2) using Bolts (CC) and Washers (BB).



NOTE: To avoid destroying the finish, do not put the parts on the ground directly.

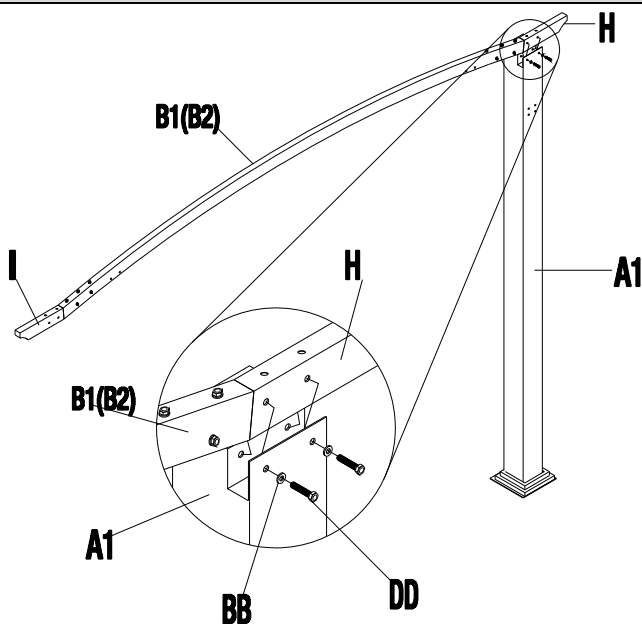


3 Attaching the Curve Beam

- Attach the assembled Curve Beam Connectors (H&I) to the Posts (A1&A2) using Bolts (DD) and Washers (BB).



NOTE: To avoid destroying the finish, do not put the parts on the ground directly.

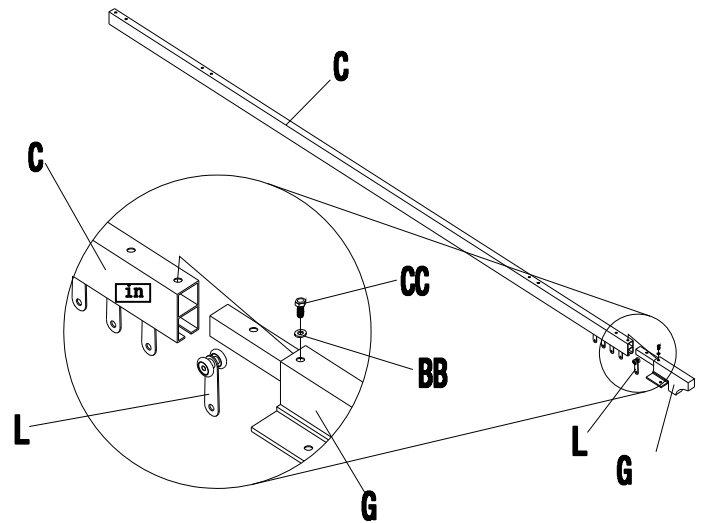


4 Inserting Wheels into the Beams

- Insert five Wheel 1 (L) parts into the Side Small Beam (C). Then insert the Right Decorative Cover 2 parts (G2) into the Side Small Beams (C) and secure together using Bolts (CC) and Washers (BB). Leave one bolt hole open for the Top Cover (O).



NOTE: To avoid destroying the finish, do not put the parts on the ground directly.



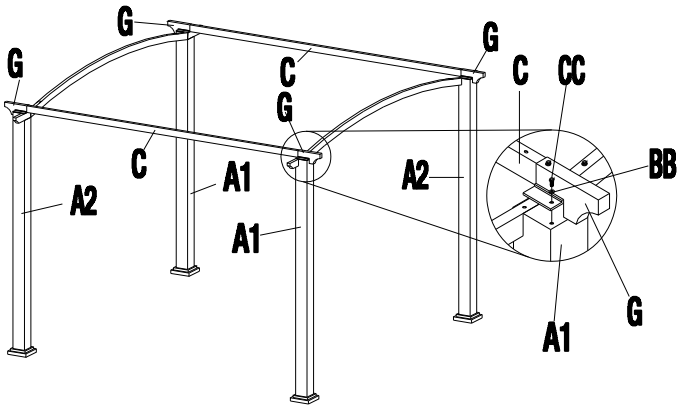
Assembly (continued)

5-1 Attaching Decorative Cover 2

- Attach the assembled Decorative Cover 2 (G) parts to the Posts (A1&A2) using Bolts (CC) and Washers (BB). Note that the side with the *in* symbol is the lining.



NOTE: To avoid destroying the finish, do not put the parts on the ground directly.

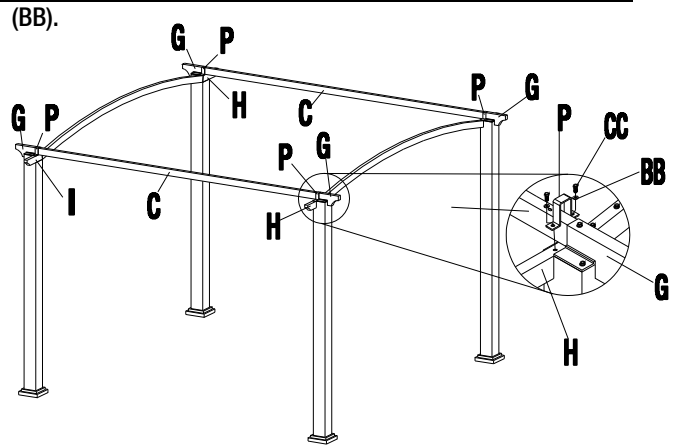


5-2 Connecting the Side Small Beams

- Connector curves (P) on the Side Small Beams (C) and connect them to the Curve Bar Connectors (H&I) using Bolts (CC) and Washers (BB).



NOTE: To avoid destroying the finish, do not put the parts on the ground directly.

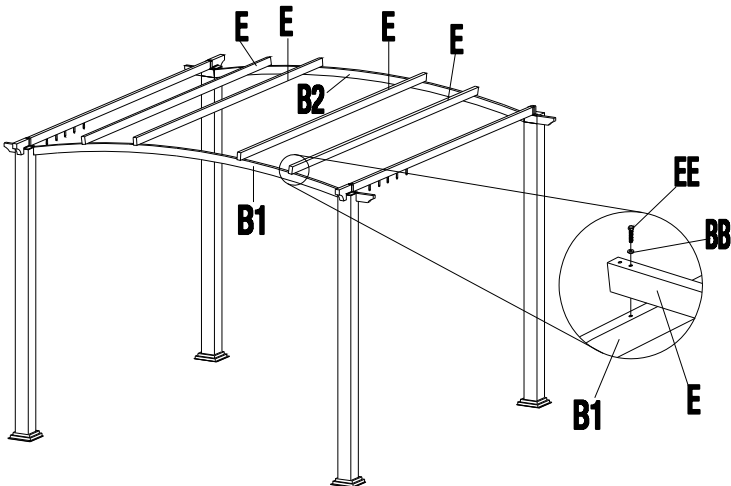


6 Attaching the Small Beams

- Connect the Small Beams (E) to the Curve Bars (B1&B2) using Bolts (EE) and Washers (BB).



NOTE: To avoid destroying the finish, do not put the parts on the ground directly.

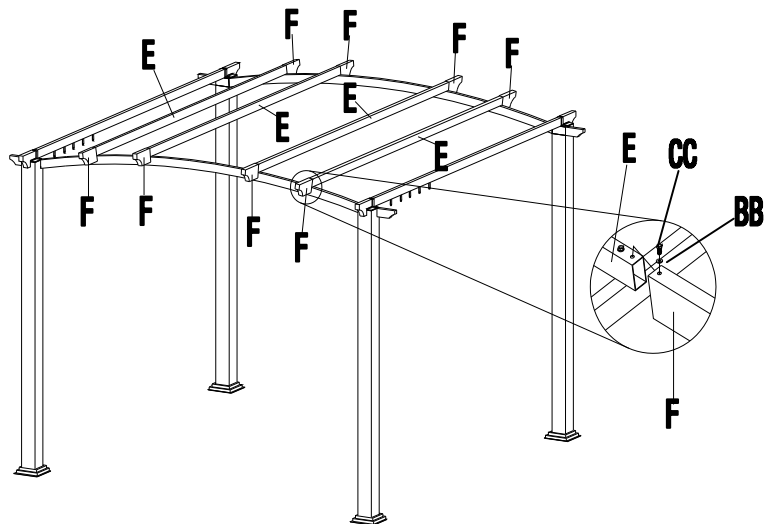


7 Attaching the Decorative Covers

- Attach the Decorative Covers (F) to the ends of the Small Beams (E) using Bolts (CC) and Washers (BB).



NOTE: To avoid destroying the finish, do not put the parts on the ground directly.



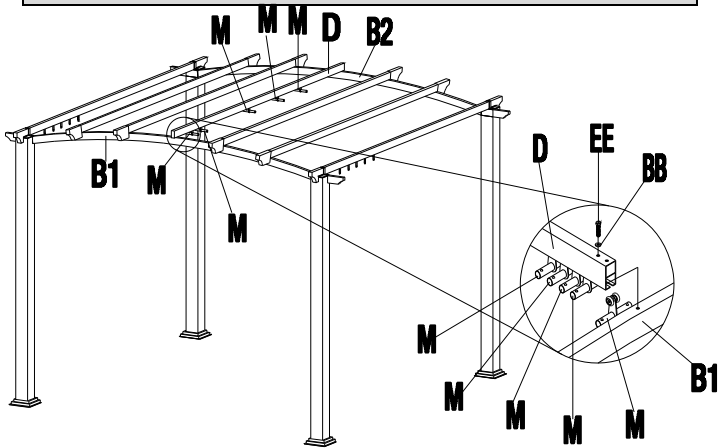
Assembly (continued)

8 Inserting Wheel 2

- Insert the Wheel 2 (M) parts into the Middle Small Beam (D), then connect the Middle Small Beam (D) to the Curve Bars (B1&B2) using Bolts (EE) and Washers (BB).



NOTE: To avoid destroying the finish, do not put the parts on the ground directly.

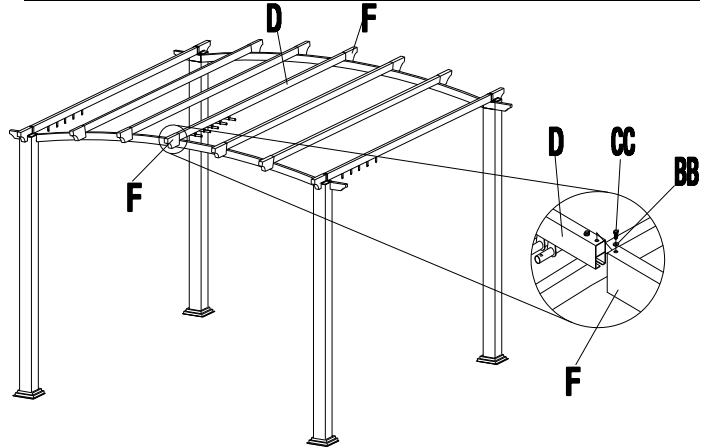


9-1 Inserting the Decorative Cover

- Insert the Decorative Cover 1 (F) to the ends of the Middle Small Beams (D). Secure together using Bolts (CC) and Washers (BB).



NOTE: To avoid destroying the finish, do not put the parts on the ground directly.

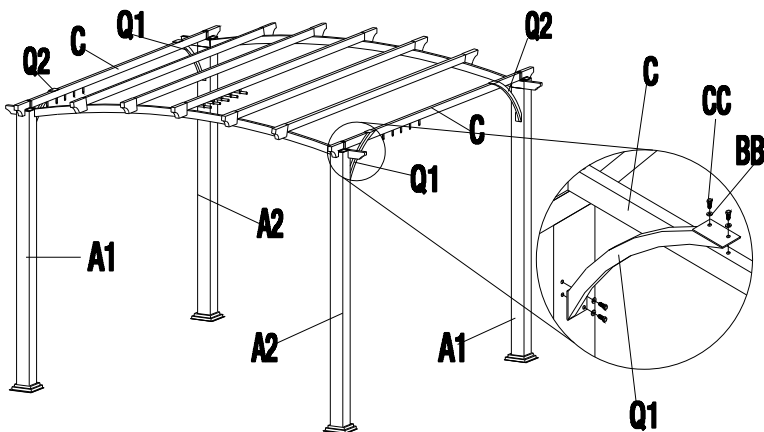


9-2 Attaching Curve Support 1

- Attach the Left Curve Support 1 (Q1) on the Post (A2) and the Side Small Beam (C) by Bolt (CC) and Washer (BB). Attach the Right Curve support 1 (Q2) in the same way.



NOTE: To avoid destroying the finish, do not put the parts on the ground directly.

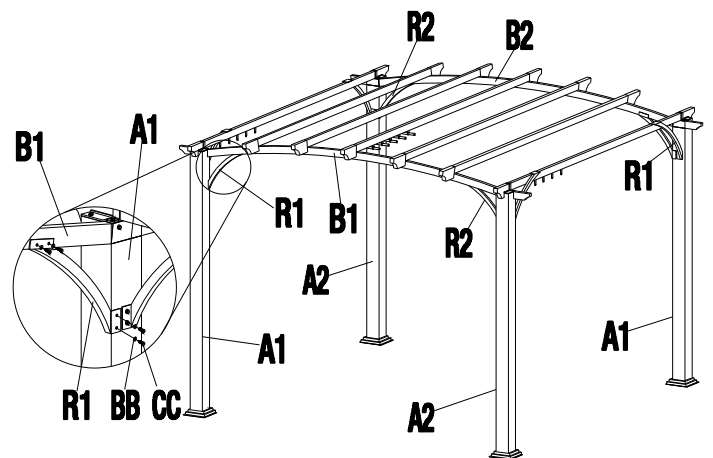


9-3 Attaching the Curve Support 2

- Attach the Left Curve Support 2 (R1) on the Post (A1&A2) and Curve Bar (B1&B2) with Bolt(CC) and Washer(BB). Attach the Right Curve Support 2 (R2) in the same way.



NOTE: To avoid destroying the finish, do not put the parts on the ground directly.



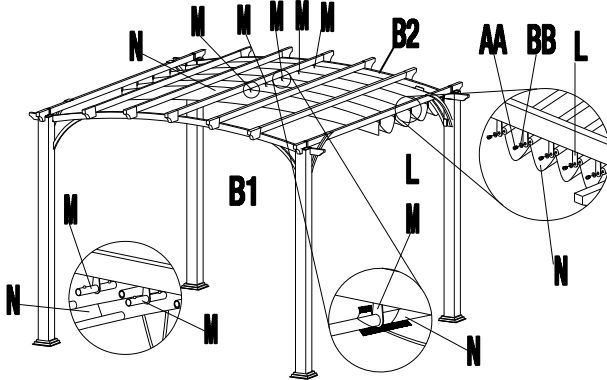
Assembly (continued)

10 Attaching the Canopy

- ❑ Note: You will need at least 3 people to complete this step.
- ❑ Separate the middle of the beams on the Canopy (N). Insert these 2 parts into each Wheel 2 (M). Stick the cloth buckle that is in the middle of the Canopy (N). Connect the canopy beam with the Wheel 1 (L) using Bolts (AA) and Washers (BB).



NOTE: To avoid destroying the finish, do not put the parts on the ground directly.

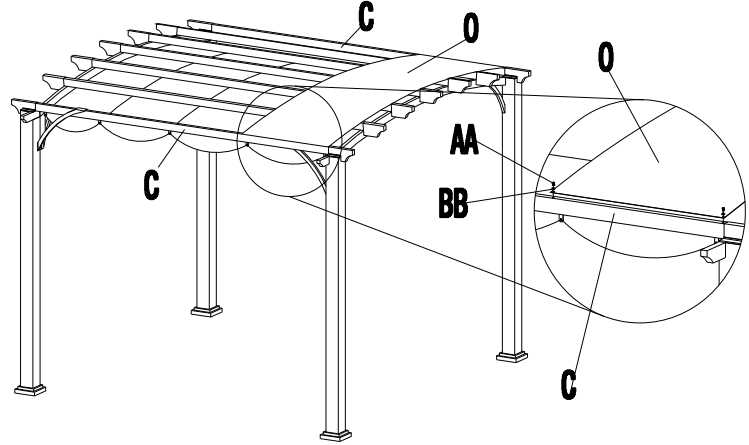


11 Attaching the Top cover

- ❑ Attach one side of the Top Cover (O) to the bolt hole left open from step 4. Tighten the other side to the Side Small Beam (C).



NOTE: To avoid destroying the finish, do not put the parts on the ground directly.

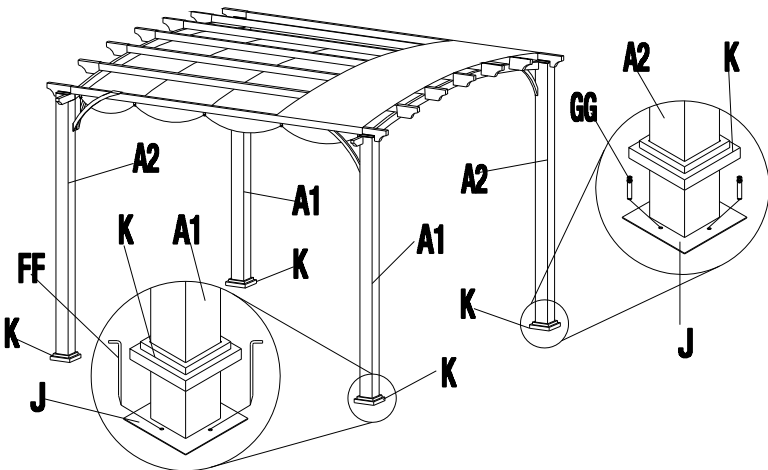


12 Securing the Gazebo

- ❑ Secure the assembled gazebo to the lawn with the Stakes (FF). Alternatively, you can use the Setscrews (GG) to secure the assembled gazebo on the cement court.



NOTE: To avoid destroying the finish, do not put the parts on the ground directly.



Care and Cleaning

- Before using, clean the pergola completely with a soft dry towel.
- Anchor the pergola to the ground with stakes for added safety. Stakes are provided to secure the pergola in the ground. If you wish to secure the pergola on concrete and wood surfaces, use anchors suited for these surfaces (anchors not included).
- When not in use, store in a cool, dry area.

Made in China
2017-08