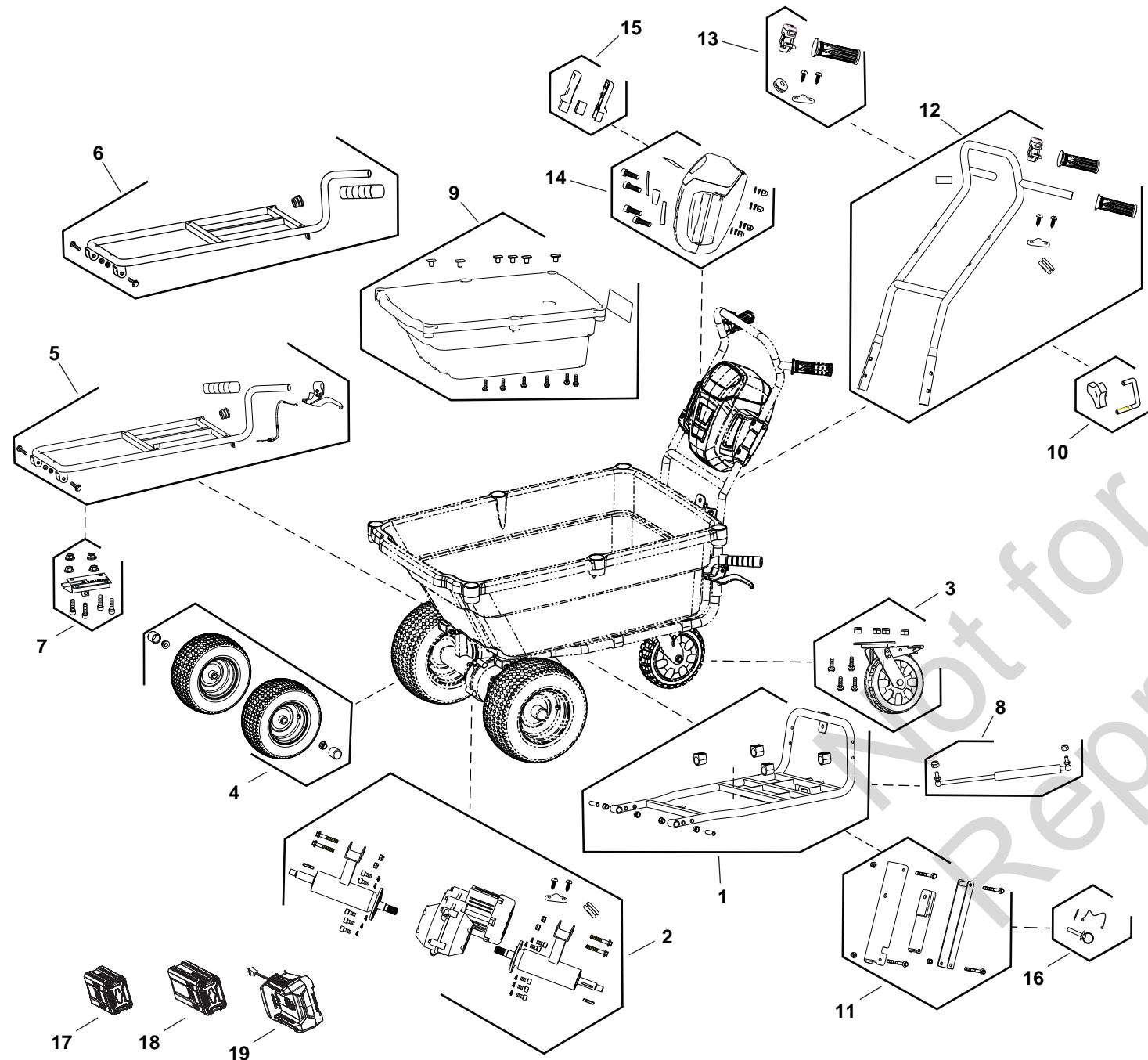
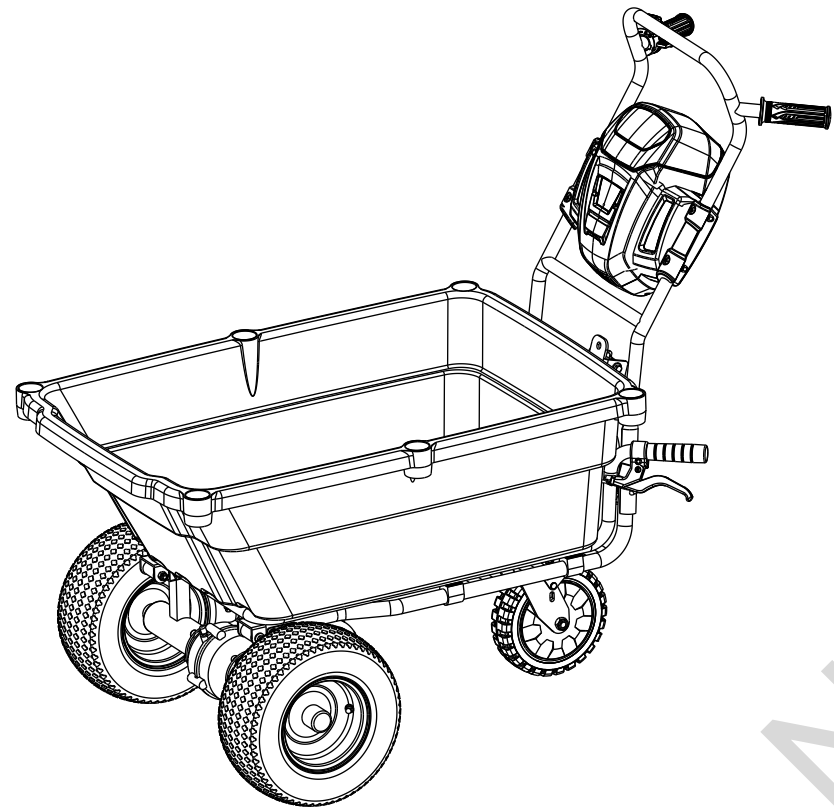


# EXPLODED VIEW



# PARTS LIST

ITEM NO.	PART NO.	DESCRIPTION	CONTEXT	QTY
1	771648	KIT, BOTTOM FRAME		1
2	771649	KIT, MOTOR & TRANSMISSION		1
3	771650	KIT, CASTER		1
4	771651	KIT, TIRES		1
5	771652	KIT, BUCKET FIXTURE, DUMPABLE		1
6	771653	KIT, BUCKET FIXTURE, STATIONARY		1
7	771654	KIT, LOCK		1
8	771655	KIT, SPRING		1
9	771656	KIT, BUCKET	(North America)	1
9	771657	KIT, BUCKET	(Europe)	1
9	771658	KIT, BUCKET	(Australia)	1
10	771659	KIT, PIN & KNOB		2
11	771660	KIT, HITCH		1
12	771661	KIT, HANDLE		1
13	771662	KIT, THROTTLE		1
14	771663	KIT, PANEL	(North America)	1
14	771664	KIT, PANEL	(Europe)	1
14	771665	KIT, PANEL	(Australia)	1
15	771666	KIT, SAFETY KEY		1
16	771667	KIT, LOCK & PIN		2
17	1760266	BATTERY, 2AH	(North America)	1
17	1760514	BATTERY, 2AH	(Europe)	1
17	1760426	BATTERY, 2AH	(Australia)	1
18	1760265	BATTERY, 4AH	(North America)	1
18	1760515	BATTERY, 4AH	(Europe)	1
18	1760427	BATTERY, 4AH	(Australia)	1
19	1760263	CHARGER, RAPID	(North America)	1
19	1760264	CHARGER, RAPID	(Europe)	1
19	1760428	CHARGER, RAPID	(Australia)	1



Briggs & Stratton Corporation  
P.O. Box 702  
Milwaukee, WI 53201

TOLL-FREE HELPLINE: 1-800-317-7833



©2017 Briggs & Stratton Corporation  
Victa is a trademark of Briggs & Stratton Australia Pty. Ltd.  
ABN 13 006 576 856

All rights reserved. No part of this booklet may be reproduced by any means without prior written permission. All information herein is subject to change without notice.

80027350 Rev: A (09/15/17)

**Products**

Mfg. No.	Description
1696858-00	SXDUC82, 82V Utility Cart
1696884-00	ESXDUC82, 82V Utility Cart
1696878-00	V82VUC, 82V Utility Cart

Not for  
Reproduction