



Accessory Installation Instructions

- 513TB-18 18" Towel bar
- 513TB-24 24" Towel bar
- 513TR Towel ring
- 513RH Robe hook
- 513TP Toilet paper holder



513TB-18 & 513TB-24



513TR



513RH



513TP

Feature Highlights

- Metal construction
- Standard finish is polished chrome

Finish Options

Append appropriate-suffix to model number

- STN Satin Nickel
- ORB Oil Rubbed Bronze

Warranty

- Limited Lifetime - to the original end purchaser in residential/consumer installations
- 5 years - for commercial installations

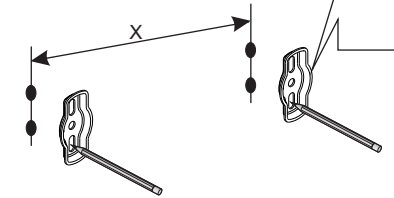
For California Residents

WARNING: This product contains chemicals known to the State of California to cause cancer, birth defects, or other reproductive harm.

MEASUREMENT BEFORE INSTALLATION

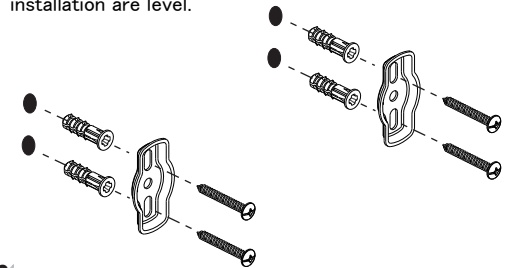
MODEL NO.	LENGTH X=inch
513TB-18	18
513TB-24	24

use B size Drill (0.238)



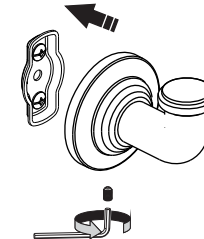
1

Measure and mark holes as listed in the above table. Drill screw mounting holes using a B size drill bit (0.238). **IMPORTANT:** Ensure that the holes you have drilled for installation are level.



2

Affix your mounting hardware to the wall using your mounting screws. For walls with brick or other types of masonry we suggest using nylon plugs. For cavity walls we suggest using toggle anchors if you are unable to screw into studs.



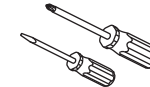
3

After securing your mounting hardware to the wall, place the mounting end of your accessory onto the mounting hardware as is shown in the picture above. Affix your accessory to the mounting hardware using the Allen wrench provided with the product.

RECOMMENDED TOOLS AND MATERIALS



Drill



Flathead Screwdriver,
Phillips Screwdriver



Tape Measure

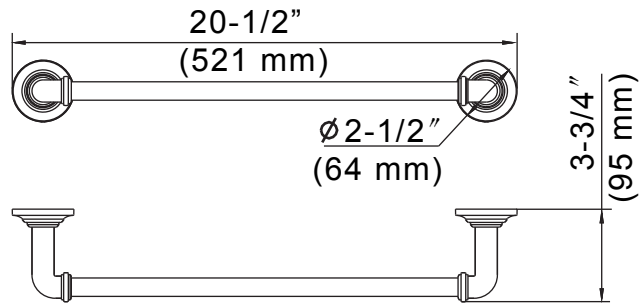


Allen Wrench

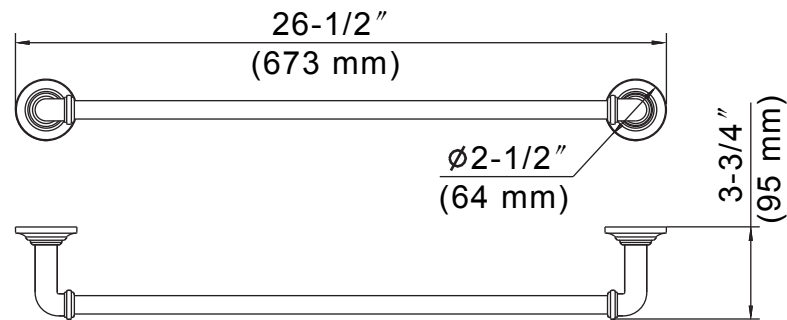
■ All specifications subject to change without prior notice.

ACCESSORIES INSTRUCTIONS

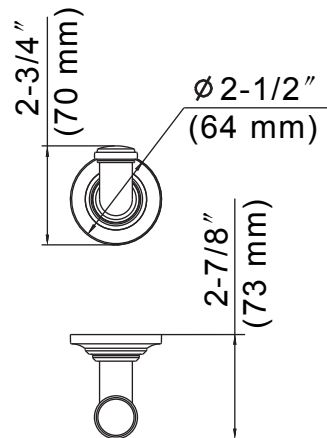
DIMENSIONS



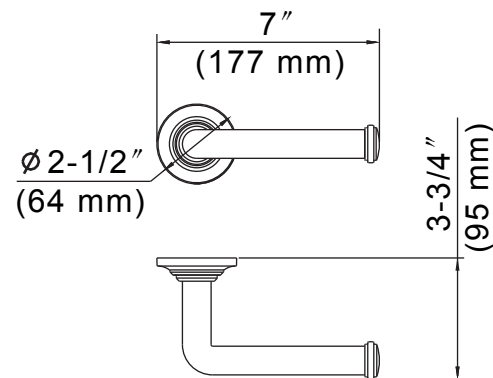
513TB-18



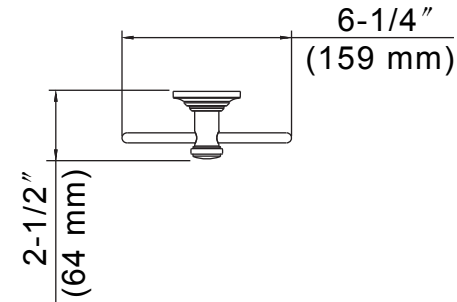
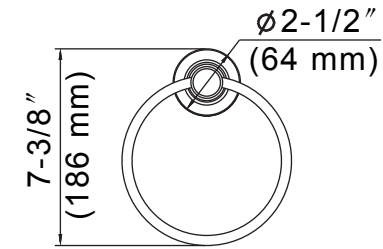
513TB-24



513RH



513TP



513TR

IMPORTANT CLEANING INSTRUCTIONS

- ▲ To ensure that your Symmons product will continue to look as beautiful as the day it was installed, please follow these simple cleaning instructions.
 1. To clean the finish on your Symmons product, rinse with clean water, wipe with a soft damp cloth and blot dry with a soft cotton cloth or towel.
 2. If heavy cleaning is required start by cleaning as described in Step 1. Use a mild liquid soap or liquid glass cleaner to remove any remaining surface buildup. Rinse product with clean water to remove any remaining cleaning solution and blot dry with a soft cotton cloth or towel.
- ▲ Do not use cleaning products containing abrasives, acids, alcohol, bleach or foaming compounds. If any unintentional splashing or overspray of these types of cleaning products comes in contact with your Symmons product, immediately rinse it with clean water and blot dry with a clean soft cotton cloth or towel.