

Additional Products



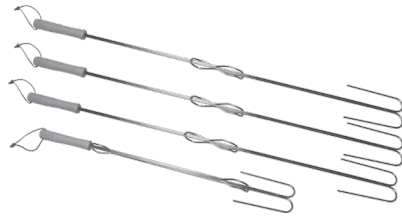
Firepits



Stoves



Cast Iron Sandwich Irons



Safety Roasting Sticks



Cast Iron Products

Popcorn Popper

Model CCP



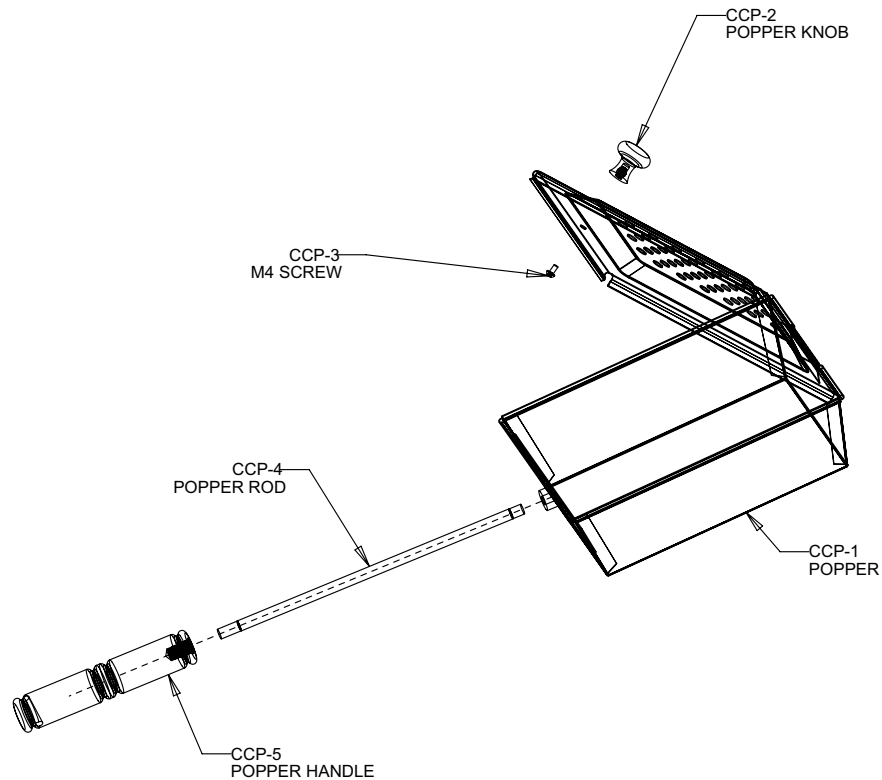
Look for these and other great Camp Chef products at your local retailer or visit us online at CampChef.com



Assembly Instructions

Assembly Instructions

1. Assemble the popper knob (CCP-2) to the popper lid (CCP-1) using the machine screw (CCP-3)
2. Screw the popper rod (CCP-4) into the popper (CCP-1)
Note: The end of the popper rod (CCP-4) with the short threads should screw into the popper (CCP-1)
3. Screw the popper handle (CCP-5) onto the popper rod (CCP-4)
Note: The end of the popper rod (CCP-4) with the long threads should screw into the popper handle (CCP-5)



0214_CCP_Bifold



Popcorn Popper

Model CCP

Instructions

1. Open Popcorn Popper and add 2 Tablespoons of oil to popper. Spread oil evenly over the bottom of the popper.
2. Add 1/2 cup of popcorn kernels to popcorn popper. Close the lid and shake to coat the kernels with oil.
3. Ignite your camp stove and set the temperature between LOW and MEDIUM. Can also be cooked over a medium flame campfire.
4. Place Popcorn Popper over the flame. Shake the popcorn popper after 10 seconds to rotate the kernels. Shake every 10 seconds until popcorn begins to pop. We recommend using oven mitts while shaking the popcorn popper to protect hands from oil splatters.
5. As soon as the popcorn begins to pop constantly shake the unit. Shake the popcorn popper back and forth as well as from side to side. This keeps the popped corn from burning.
6. The popcorn will pop more and more frequently as it cooks. As soon as the popping sound slows, remove the unit from the flame. Pour popcorn into a serving bowl; season as desired and serve.

Care Instructions

Your popcorn popper is made of seasoned steel, subsequently it will need some care and maintenance to insure that it stays in great condition for years to come.

- After each use, wipe out any remaining popcorn.
- Wash with warm, soapy water. Dry completely.
- Use Camp Chef conditioner or oil and rub over the entire surface of the popcorn popper. This product will rust if not properly conditioned.
- Store the popcorn popper in a clean dry place.

3985 N 75 W Hyde Park, UT 84318 • CampChef.com • 800.650.2433

Camp Chef is a registered trademark of Logan Outdoor Products