

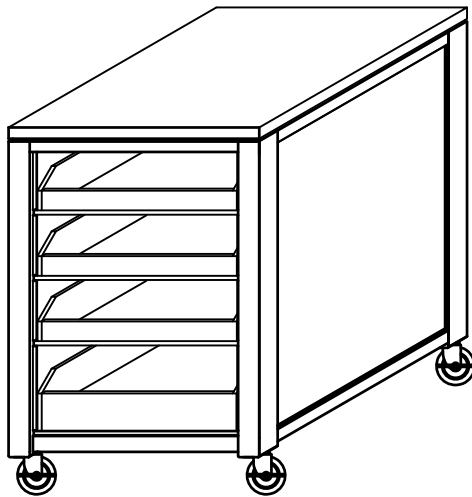
HOME DECORATORS COLLECTION

BF-24800 CART WITH PULL-OUT TRAYS-31"H

INV#07951

ASSEMBLY INSTRUCTIONS

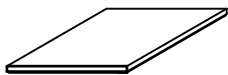
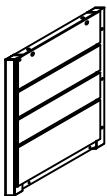
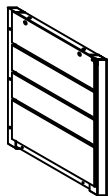
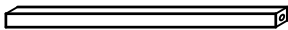

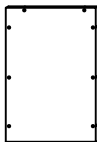
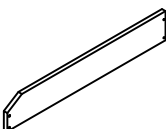
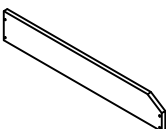
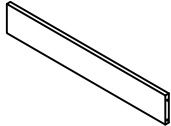
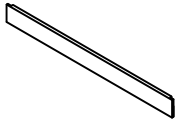
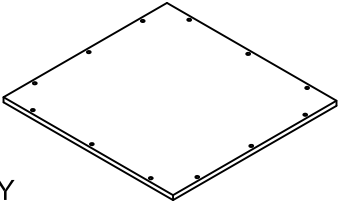
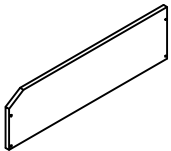
Made In China



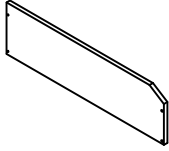
Thank you for purchasing this quality product. Be sure to check all packing material carefully for small parts, which may have come loose inside the carton during shipment. Count all parts and material hardware, then compare with parts list to be sure all parts are present. If any parts are missing or damaged, phone, fax, or mail to our Customer Service Department for efficient and speedy service. Please indicate the model number and code letter of part(s) needed.

IMPORTANT NOTE: Follow instructions listed below in proper sequence as numbered to assure fast, easy and correct assembly.

PARTS LIST

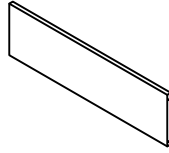
<p>A</p>  <p>TOP PANEL-1PC</p>	<p>B</p>  <p>LEFT SIDE PANEL-1PC</p>	<p>C</p>  <p>RIGHT SIDE PANEL-1PC</p>
<p>D</p>  <p>ADORNING PANEL-1PC</p>	<p>E</p>  <p>BOTTOM PANEL-1PC</p>	<p>F</p>  <p>BACK PANEL-1PC</p>
<p>G</p>  <p>SMALL LEFT TRAY PANEL SIDES-3PCS</p>	<p>H</p>  <p>SMALL RIGHT TRAY PANEL SIDES-3PCS</p>	<p>I</p>  <p>SMALL TRAY PANEL BACKS-3PCS</p>
<p>J</p>  <p>SMALL TRAY PANEL FORNTS-3PCS</p>	<p>K</p>  <p>TRAY PANEL BOTTOMS-4PCS</p>	<p>L</p>  <p>LARGE LEFT TRAY PANEL SIDE-1PC</p>

M



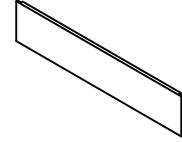
LARGE RIGHT TRAY PANEL SIDE-1PC

N



LARGE TRAY PANEL BACK-1PC

O



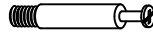
LARGE TRAY PANEL FORNT-1PC

P



CAM-TOOL-1PC

Q



CAM-BOLTS-14PCS

R



CAM-LOCKS-14PCS

S

11mm×1"



SCREWS-4PCS

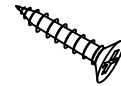
T



ALLEN WRENCH-1PC

U

6mm×3/4"



SCREWS-80PCS

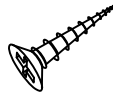
V



CASTERS-4PCS

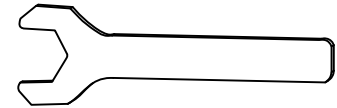
W

8mm×1"



SCREW-1PC

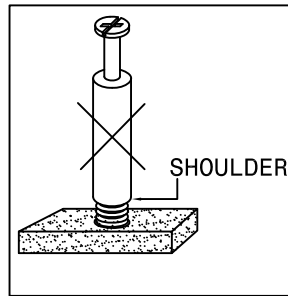
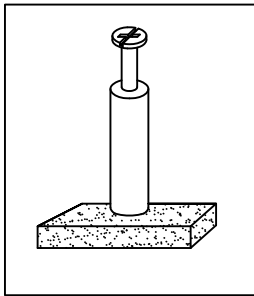
X



SPANNER-1PC

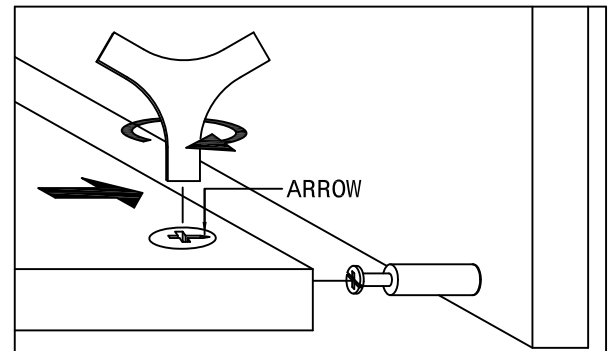
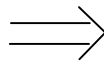
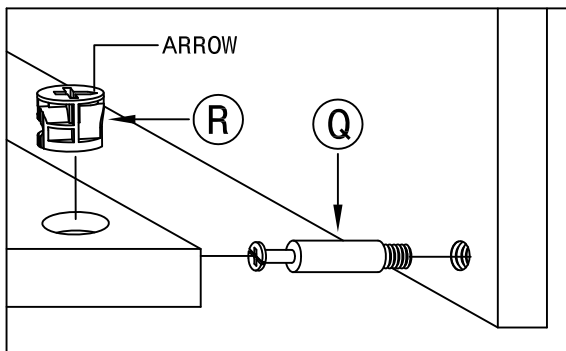
NOTE:THE SURFACE WITH THE STICKER IS THE BACK SIDE.

NOTE: • UPON OPENING THOROUGHLY CLEAN ALL WOODS SURFACES TO REMOVE DUST AND DIRT THAT MAY HAVE SETTLED ONTO FINISH DURING SHIPMENT. IN ORDER TO PREVENT DAMAGE DURING ASSEMBLY, PLEASE ASSEMBLE THIS ITEM WITH AT LEAST TWO PEOPLE.

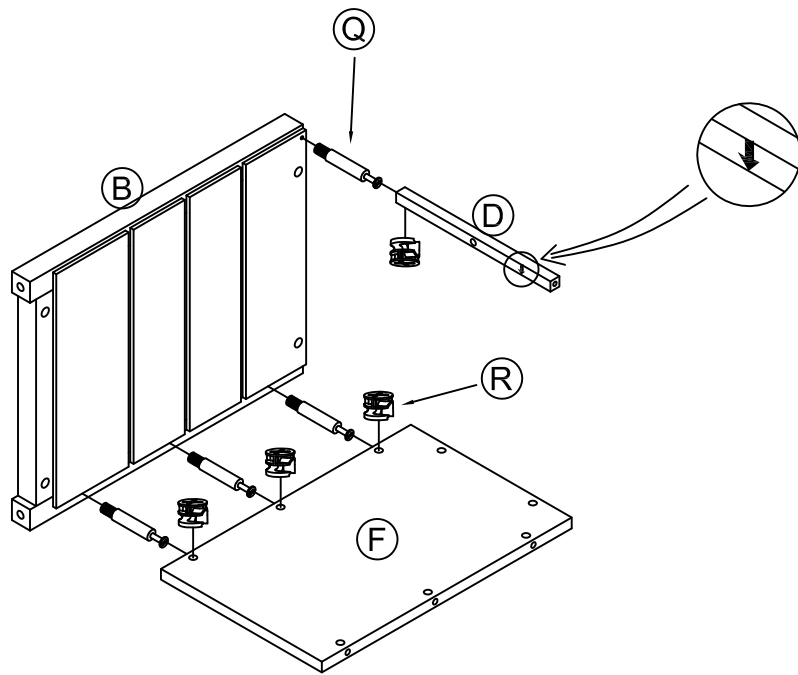


NOTE: TURN THE CAM-BOLT SCREWS UNTIL THEY ARE TIGHT, THE SHOULDER SHOULD BE AGAINST THE SURFACE OF THE PART.

HOW TO USE THE CAM-TOOL

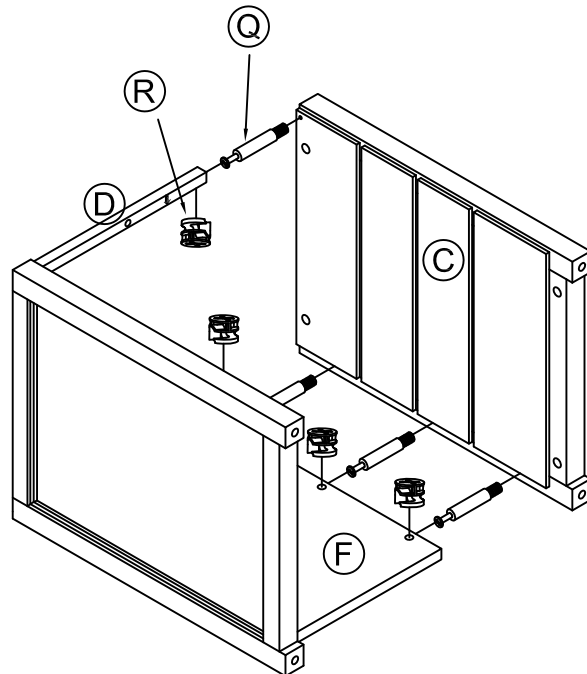


NOTE: • THE ARROWS ON THE HIDDEN CAM-LOCKS SHOULD POINT TO THE CAM-BOLTS



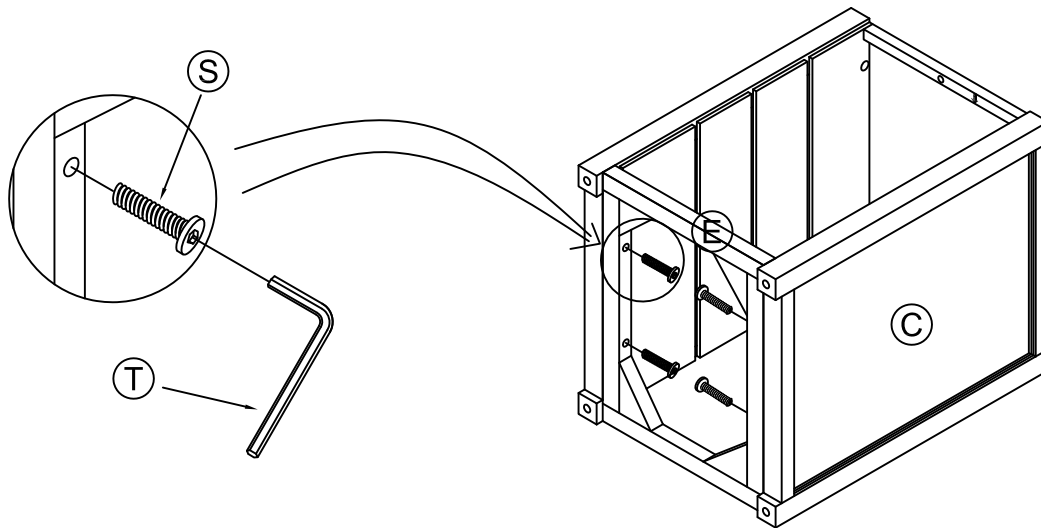
1) . ASSEMBLE THE LEFT SIDE PANEL (B) .

- ROTATE THE 4 CAM-BOLTS(Q) INTO THE HOLES IN THE LEFT SIDE PANEL(B) .
- PLACE THE CAM-BOLTS(Q) INTO THE HOLES IN THE PANELS(D/F) AND USING 4 CAM-LOCKS(R) .



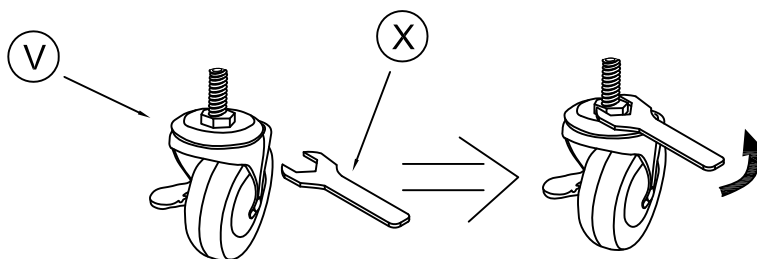
2) . ASSEMBLE THE RIGHT SIDE PANEL (C) .

- ROTATE THE 4 CAM-BOLTS(Q) INTO THE HOLES IN THE RIGHT SIDE PANEL(C) .
- PLACE THE CAM-BOLTS(Q) INTO THE HOLES IN THE PANELS(D/F) AND USING 4 CAM-LOCKS(R) .

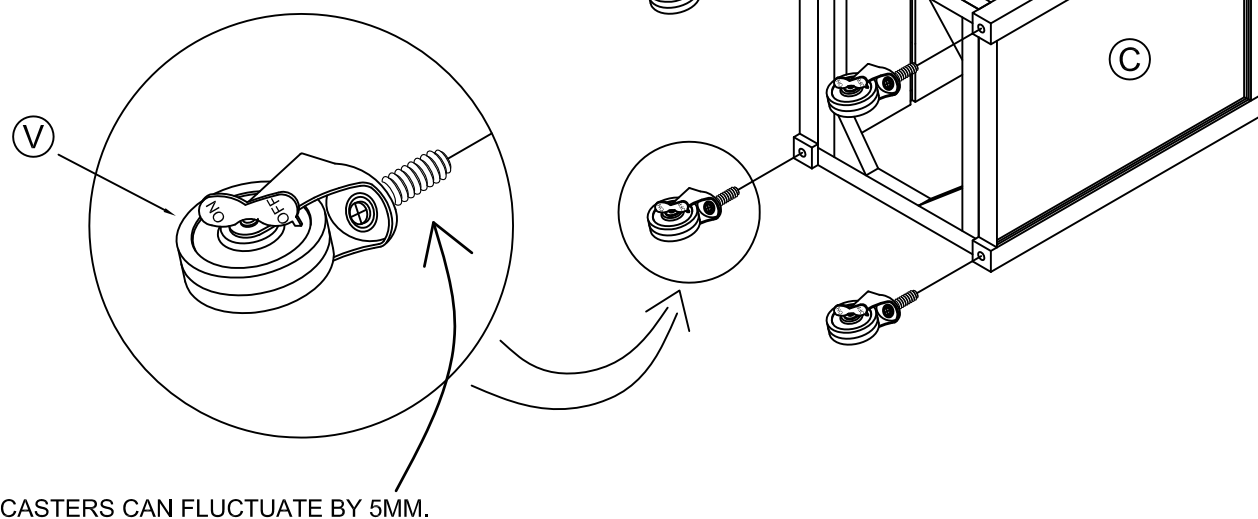


3) . ASSEMBLE THE BOTTOM PANEL (E) .

- ATTACH THE BOTTOM PANEL (E) TO SIDE PANELS (B/C) USING 4 SCREWS (S) .

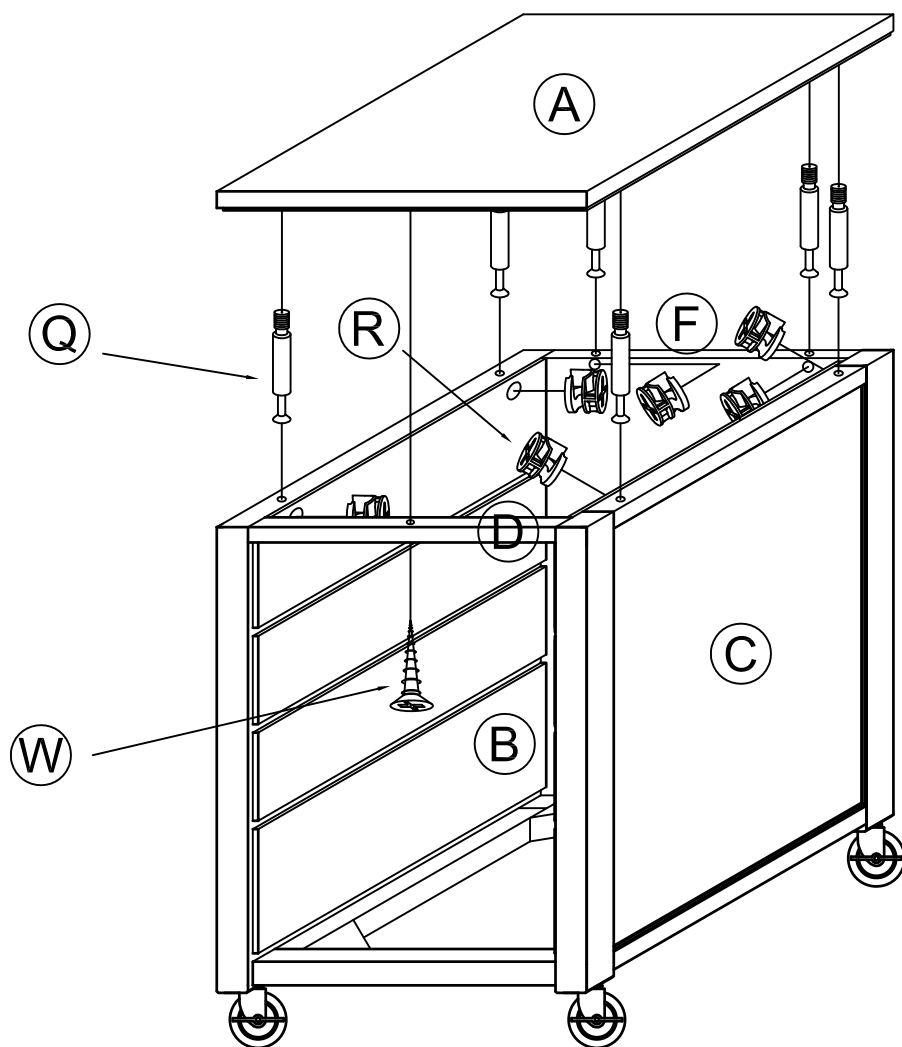


TURN THE BRAKE ON.



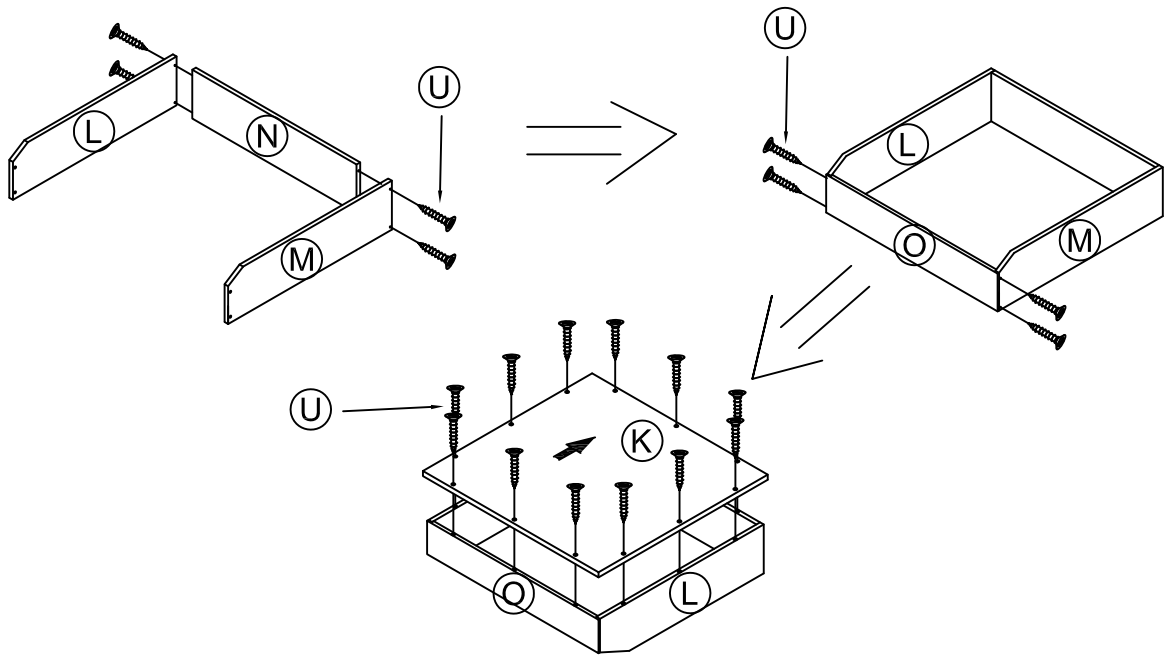
4) . ASSEMBLE THE CASTERS (V) .

- ROTATE THE 4 CASTERS (V) INTO THE HOLES IN THE SIDE PANEL (B/C) USING SPANNER (X) .



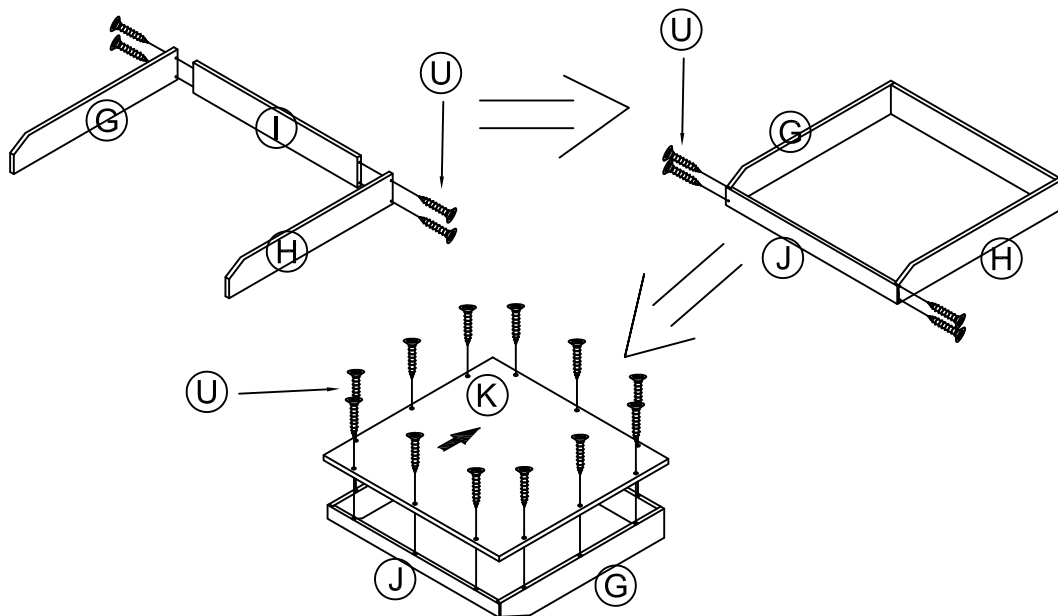
5) . ASSEMBLE THE TOP PANEL (A) .

- ROTATE THE 6 CAM-BOLTS(Q) INTO THE HOLES IN THE TOP PANEL(A) .
- PLACE THE CAM-BOLTS(Q) INTO THE HOLES IN THE PANELS(B/C/F) AND USING 6 CAM-LOCKS(R) .
- ROTATE THE SCREW(W) INTO THE HOLE IN THE PANEL(D) .



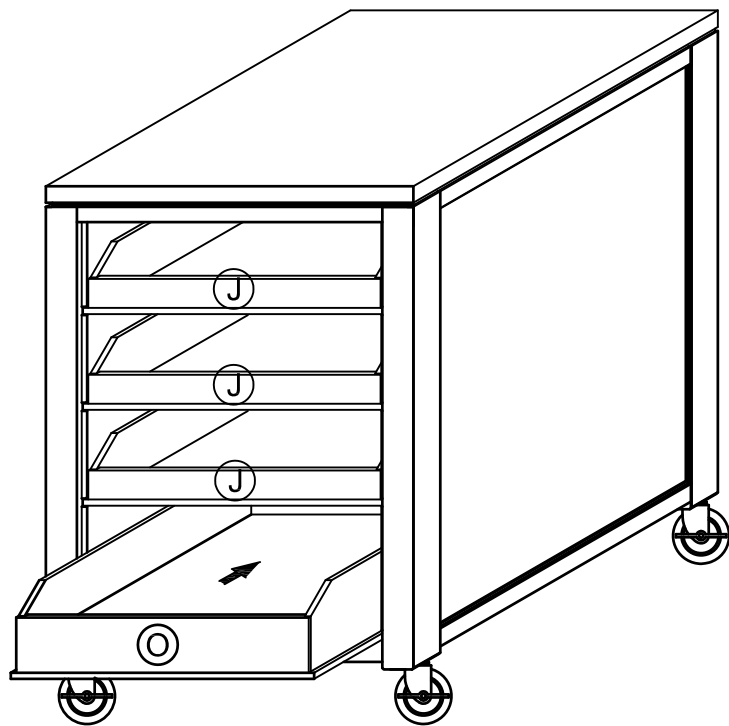
6) . ASSEMBLE THE LARGE TRAY.

- ATTACH LARGE TRAY PANEL SIDES(L/M) TO LARGE TRAY PANEL BACK(N) USING 4 SCREWS(U) .
- ATTACH LARGE TRAY PANEL FORNT(O) BETWEEN LARGE LEFT TRAY PANEL SIDE(L) AND LARGE RIGHT TRAY PANEL SIDE(M) USING 4 SCREWS(U) .
- ATTACH TRAY PANEL BOTTOM(K) TO PANEL (L/M/N/O) USING 12 SCREWS(U) .



7) . ASSEMBLE THE SMALL TRAY.

- ATTACH SMALL TRAY PANEL SIDES(G/H) TO SMALL TRAY PANEL BACK(I) USING 4 SCREWS(U) .
- ATTACH SMALL TRAY PANEL FORNT(J) BETWEEN SMALL LEFT TRAY PANEL SIDE(G) AND SMALL RIGHT TRAY PANEL SIDE(H) USING 4 SCREWS(U) .
- ATTACH TRAY PANEL BOTTOM(K) TO PANEL (G/H/I/J) USING 12 SCREWS(U) .



8) . ASSEMBLE THE TRAYS.

- INSERT ALL THE TRAYS INTO THE SLIDERS.