

# ASSEMBLING & INSTALLATION INSTRUCTIONS PRODUCT# 4823 4824 4825

## For Ceiling Mount Fixtures

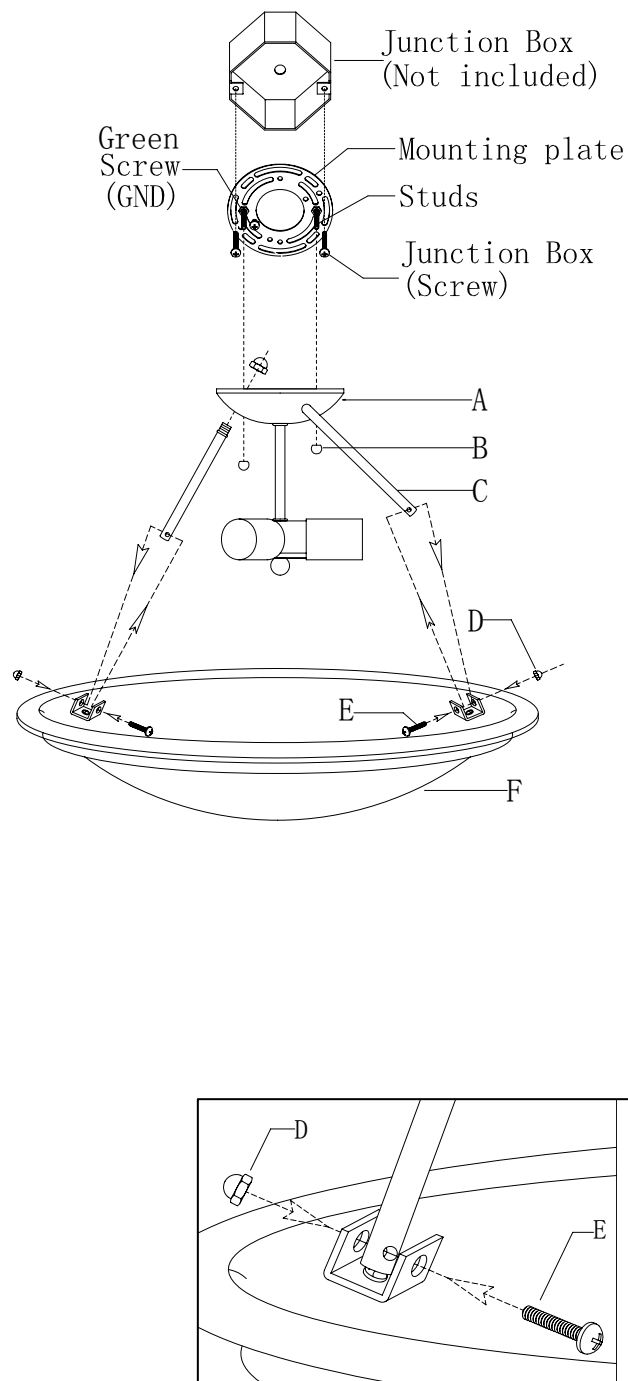
**WARNING! SHUT POWER OFF AT FUSE OR CIRCUIT BREAKER .**

### MOUNTING THE FIXTURE (Fig.1)

1. Shut off the power at the circuit breaker box. Remove old fixture and all hardware from Junction Box.
2. Carefully unpack your new fixture and lay out all the parts on a clear area. Take care not to lose any small parts necessary for installation.
3. Thread the two studs into the pre-drilled holes in the Mounting plate spaced the same distance apart as the holes in the canopy of fixture body(A).
4. Attach the Mounting plate to the Junction Box with the two Junction Box Screws as shown. The side of the Mounting plate marked "GND" must face out.
5. Attach the end screw of pipe(C) insert the canopy hole , lock it securely with the big hex nut. Attach the fixture body (A) to the glass shade(F), aligning end pipe's hole of fixture body with hook's holes in glass shade, attach the screw(E) into the holes , lock it securely with the hex nut(D).
6. While holding the fixture body towards the ceiling, connect the electrical wires as Shown in Fig.2, making sure that all wire nuts are secured. You may have to wrap the connections with electrical tape. If your outlet has a ground wire (green or bare copper), connect the fixture ground wire to it. Otherwise connect fixture's ground wire directly to the Mounting strap with the green screw provided. After wires are connected, tuck them carefully inside the Junction Box.
7. Attach the fixture body to the junction box, aligning screws on mounting plate with mounting holes in canopy and lock it securely with the ball nut (B).
8. Install the light bulbs in accordance with the fixture's specifications. **NOTE: DO NOT EXCEED THE SPECIFIED WATTAGE.**




**Your installation is now complete. Return power to the junction box and test the fixture.**

**Fig.1**



MIN 90°C SUPPLY CONDUCTORS

**Fig.2**

<p>FIXTURE WIRES Black or Smooth</p>  <p>HOUSE WIRES Black (Hot)</p>	<p>FIXTURE WIRES White or Ribbed</p>  <p>HOUSE WIRES White (Neutral)</p>	<p>FIXTURE WIRES Bare Copper (Ground)</p>  <p>HOUSE WIRES Green or Bare Copper (Ground)</p>
---	---	--