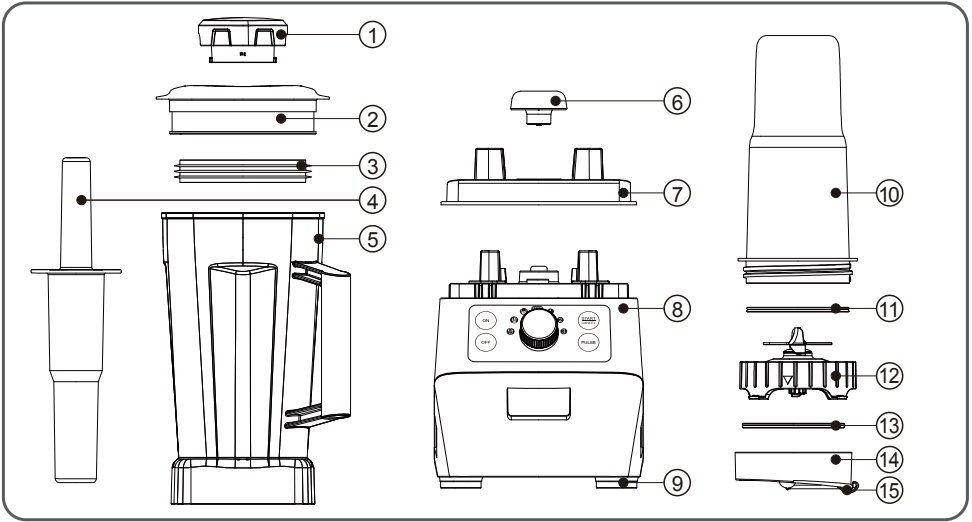
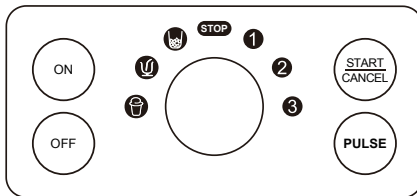


# Parts & features



|                 |                   |                         |
|-----------------|-------------------|-------------------------|
| ① Measuring cup | ⑥ Drive clutch    | ⑪ Personal jar seal     |
| ② Jar lid       | ⑦ Top housing pad | ⑫ Personal jar assembly |
| ③ Jar seal      | ⑧ Main Unit       | ⑬ Personal jar seal     |
| ④ Temper        | ⑨ Rubber feet     | ⑭ Personal jar cover    |
| ⑤ Jar           | ⑩ Personal jar    | ⑮ Seal cover            |

## Control panel



- STOP** : When knob set at 0, the machine stop and not operate.
- 1 2 3** : 1, 2, 3 are low/middle/high speed.
- Pulse** : Set the knob at any position instead of 0, push pulse button the machine will operate at high speed. Release the button the machine stop.
- P** : Set the knob here, the machine operate 1 second On, 4 seconds off, repeat this for 12 cycles, then auto stop, total 1 minute.
- P** : Set the knob here, the machine speed increase gradually to high for 0~10s, keep high speed for rest 50s, then auto stop, total 1 minute.