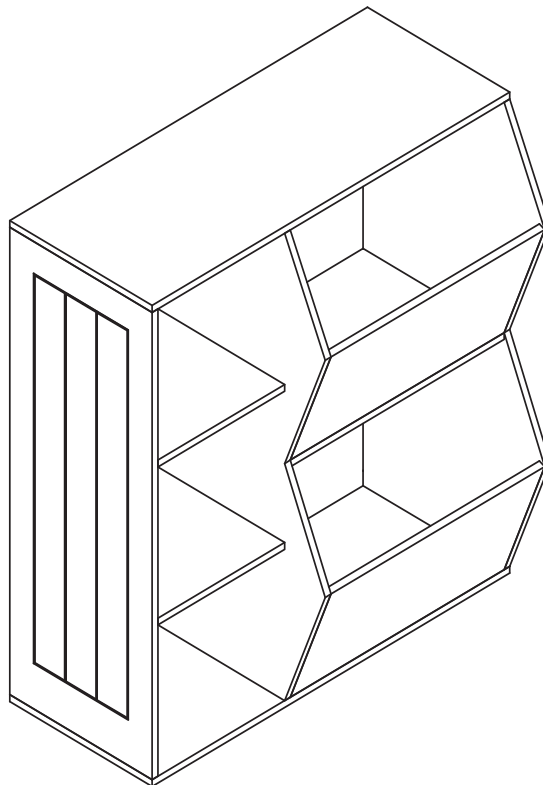




## ASSEMBLY INSTRUCTIONS



### RiverRidge® Kids Toy Organizer with Cubbies and Veggie Bins

ITEM#: 02-146 White

ITEM#: 02-147 Gray

#### **ADULT ASSEMBLY REQUIRED**

This product requires assembly by an adult because of small parts. Care should be taken in unpacking and assembling this item to keep small parts away from children. During assembly children should be kept away from the product due to possible risk of injury.

#### **WARNING SEE FULL WARNING ON PAGE 2**

Young children can be seriously injured or killed if furniture tips over.  
Don't use this item for a TV stand or place heavy objects on top of item.  
Always use angle-braces or anchors to secure furniture to the wall.

This product is suitable for children 3 years and older.

EACH CABINET WILL HOLD UP TO 20 POUNDS PER CUBBY, 30 POUNDS PER VEGGIE BIN AND 25 POUNDS PER TOP SHELF OR A TOTAL OF 145 POUNDS. DO NOT LOAD EACH CUBBY WITH MORE THAN 20 POUNDS, EACH VEGGIE BIN WITH MORE THAN 30 POUNDS OR THE TOP SHELF WITH MORE THAN 25 POUNDS. IF OVERLOADED WITH MORE THAN 20 POUNDS PER CUBBY, 30 POUNDS PER VEGGIE BIN OR 25 POUNDS ON THE TOP SHELF, THIS MAY CAUSE DAMAGE TO THE CABINET AND MAY CAUSE SERIOUS INJURY OR DEATH.

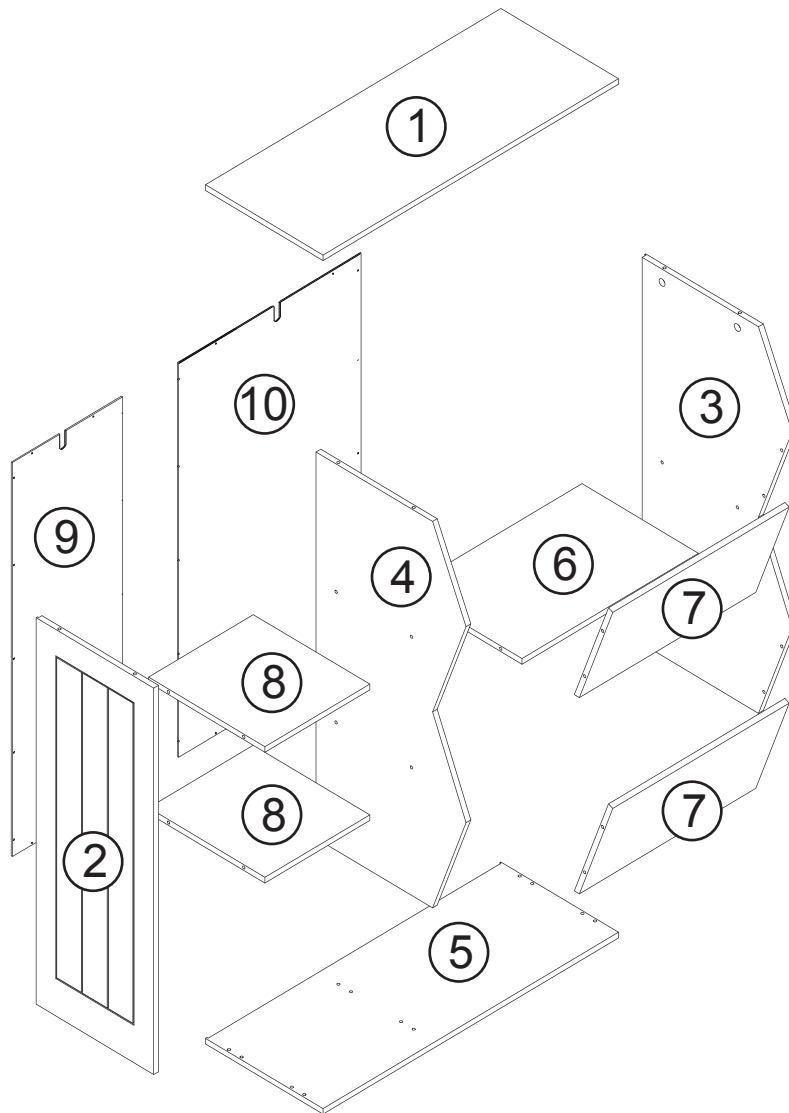


# WARNING

**SERIOUS OR FATAL INJURIES CAN OCCUR FROM FURNITURE TIP-OVER. TO HELP PREVENT TIP-OVER:**







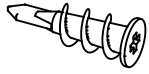


- **Always use tip over restraints and/or wall anchors to secure furniture to the wall**
- **Place heaviest items in the lowest drawers/bins or shelves**
- **Do not set TV's or other heavy objects on the top of this product**
- **Never allow children to climb or hang on to the drawers/bins, doors or shelves of furniture**
- **Never open more than one drawer at a time or defeat or remove any drawer interlock system**

# PARTS LIST



| NO | QTY  | DESCRIPTION      |
|----|------|------------------|
| 1  | 1PC  | Top Board        |
| 2  | 1PC  | Left Side Panel  |
| 3  | 1PC  | Right Side Panel |
| 4  | 1PC  | Middle Panel     |
| 5  | 1PC  | Bottom Board     |
| 6  | 1PC  | Large Shelf      |
| 7  | 2PCS | Front Panel      |
| 8  | 2PCS | Small Shelf      |
| 9  | 1PC  | Small Back Board |
| 10 | 1PC  | Large Back Board |

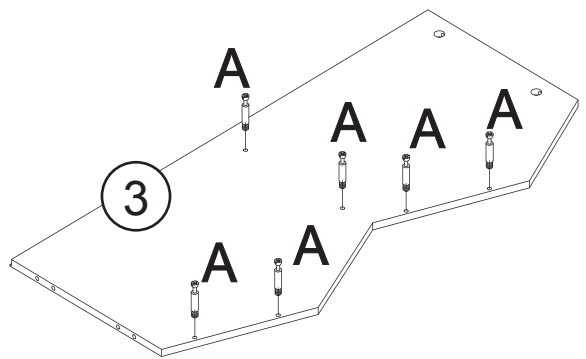
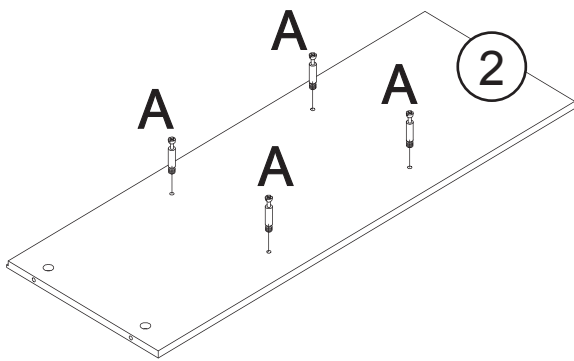
# PARTS LIST

| NO | PARTS   | QTY   | DESCRIPTION               |
|----|---|-------|---------------------------|
| A  |    | 26PCS | Cam Bolt                  |
| B  |    | 26PCS | Cam Lock                  |
| C  |    | 6PCS  | Wood Dowel                |
| D  |    | 6PCS  | Screw (4x35mm)            |
| E  |    | 24PCS | Screw (2.5x12mm)          |
| G  |    | 2PCS  | Adjustable Anchor Bracket |
| H  |    | 2PCS  | Plastic Anchor            |
| J  |   | 2PCS  | Screw (4x30mm)            |
| K  |  | 2PCS  | Screw (4x10mm)            |

**TOOLS NEEDED FOR ASSEMBLY: FLAT & PHILLIPS SCREWDRIVER (NOT INCLUDED)  
THE USE OF A POWER SCREWDRIVER IS NOT RECOMMENDED FOR ASSEMBLY  
DO NOT USE ITEM IF ANY PARTS ARE MISSING OR DAMAGED**

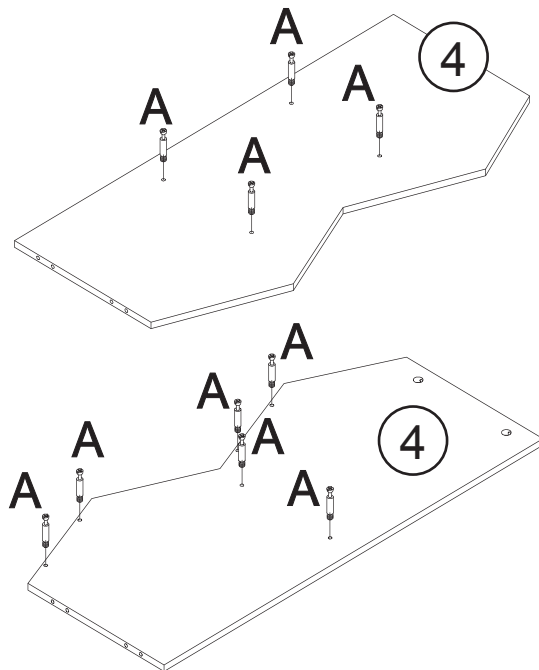
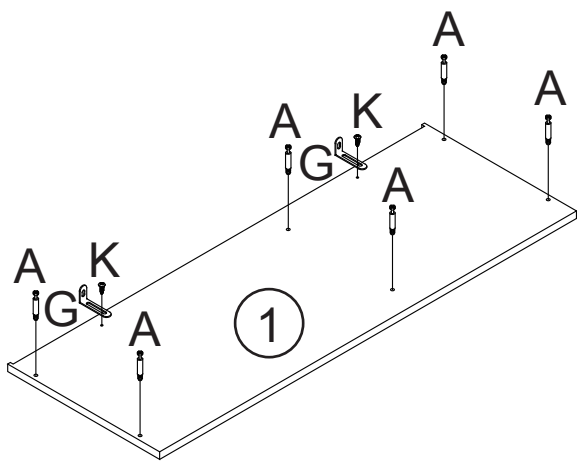
To order replacement parts at no cost to you, email [customer.service@ssi-rr.com](mailto:customer.service@ssi-rr.com), call 1-(844)-223-5201 or order parts online at [www.riverridgehome.com](http://www.riverridgehome.com). Only valid in the United States. If purchased outside of the United States, please contact retailer where purchased.

## STEP 1



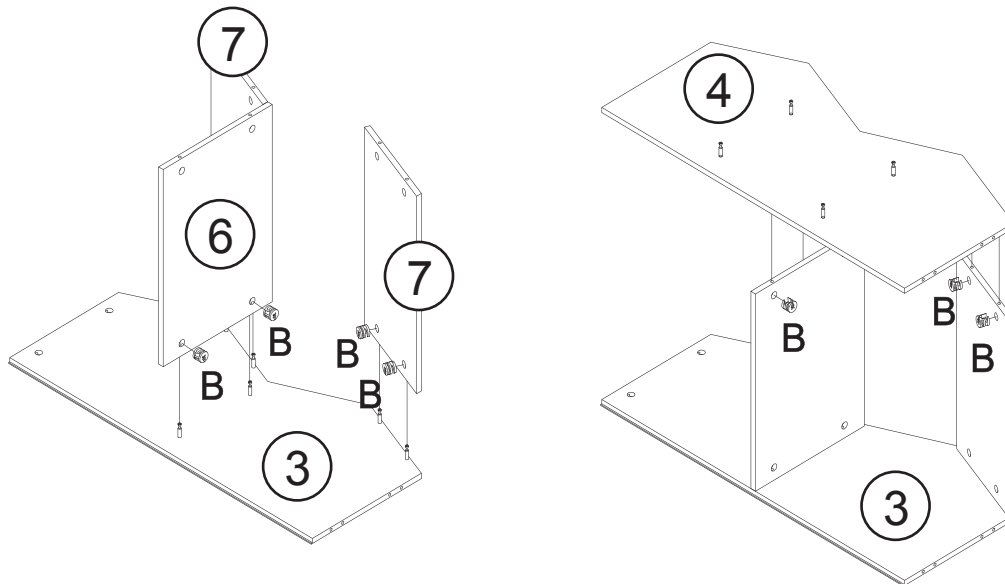
1. Screw 4 cam bolts (A) into cam bolt holes on left side panel (2) and tighten to left side panel (2).
2. Screw 6 cam bolts (A) into cam bolt holes on right side panel (3) and tighten to right side panel (3).

## STEP 2



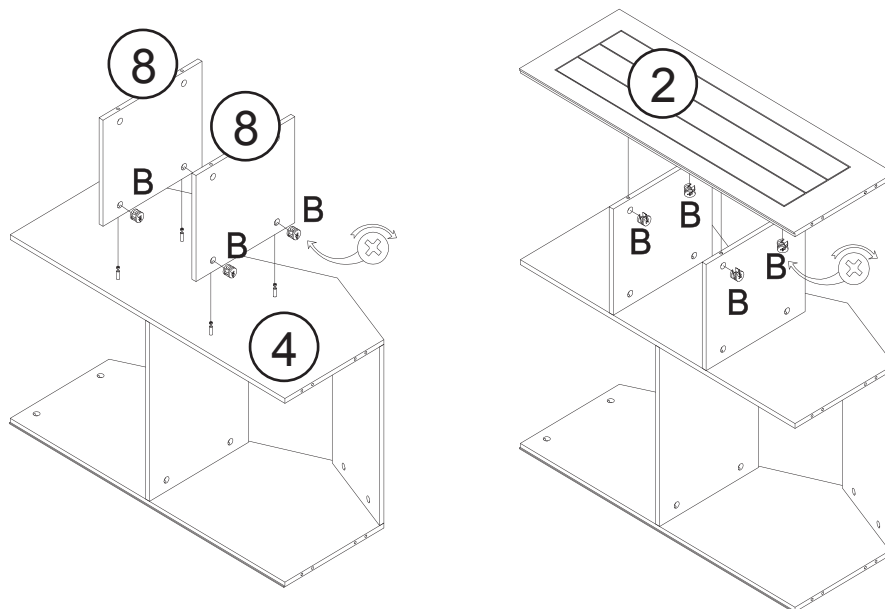
1. Insert 2 screws (K) through holes on adjustable anchor bracket (G), then tighten to top board (1).
2. Screw 6 cam bolts (A) into cam bolt holes on top board (1) and tighten.
3. Screw 4 cam bolts (A) into cam bolt holes on middle panel (4) and tighten.
4. Screw 6 cam bolts (A) into cam bolt holes on the other side of middle panel (4) and tighten.

## STEP 3



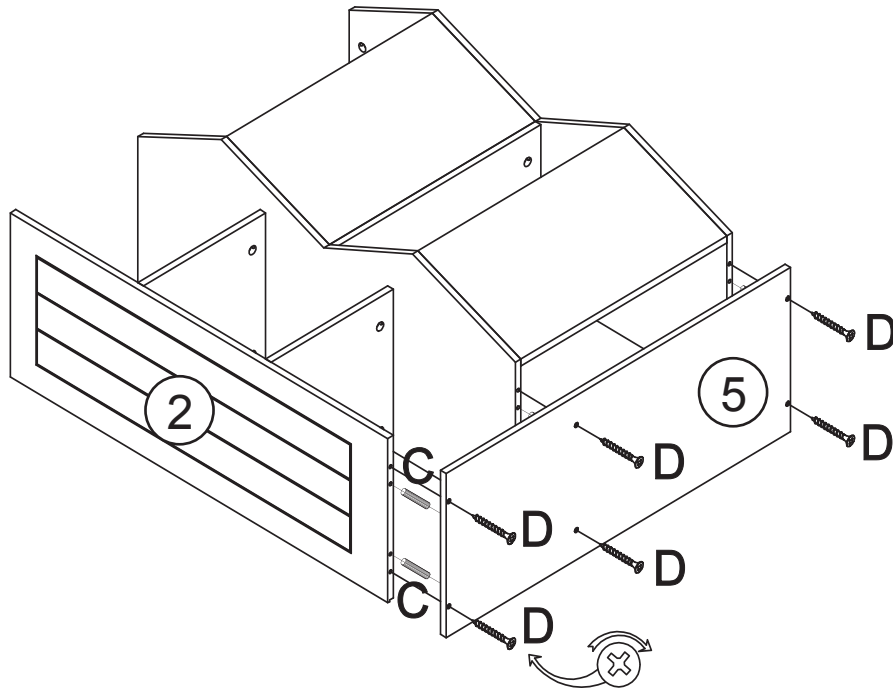
1. Attach front panels (7) and large shelf (6) to right side panel (3) by inserting cam bolts (A) into cam lock holes on front panel (7) and large shelf (6).
2. Insert 6 cam locks (B) into cam lock holes on front panel (7) and large shelf (6) and rotate clockwise to secure cam bolts in place.
3. Attach middle panel (4) to front panels (7) and large shelf (6) by inserting cam bolts (A) into cam lock holes on front panel (7) and large shelf (6).
4. Insert 6 cam locks (B) into cam lock holes on front panel (7) and large shelf (6) and rotate clockwise to secure cam bolts in place.

## STEP 4



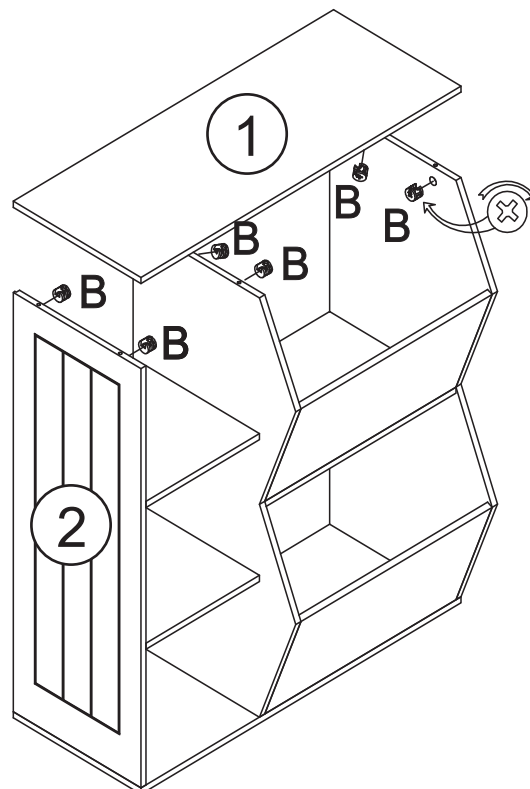
1. Attach 2 small shelves (8) to middle panel (4) by inserting cam bolts (A) into cam lock holes on small shelves (8).
2. Insert 4 cam locks (B) into cam lock holes on small shelves (8) and rotate clockwise to secure cam bolts in place.
3. Attach left side panel (2) to 2 small shelves (8) by inserting cam bolts (A) into cam lock holes on small shelves (8).
4. Insert 4 cam locks (B) into cam lock holes on small shelves (8) and rotate clockwise to secure cam bolts in place.

## STEP 5



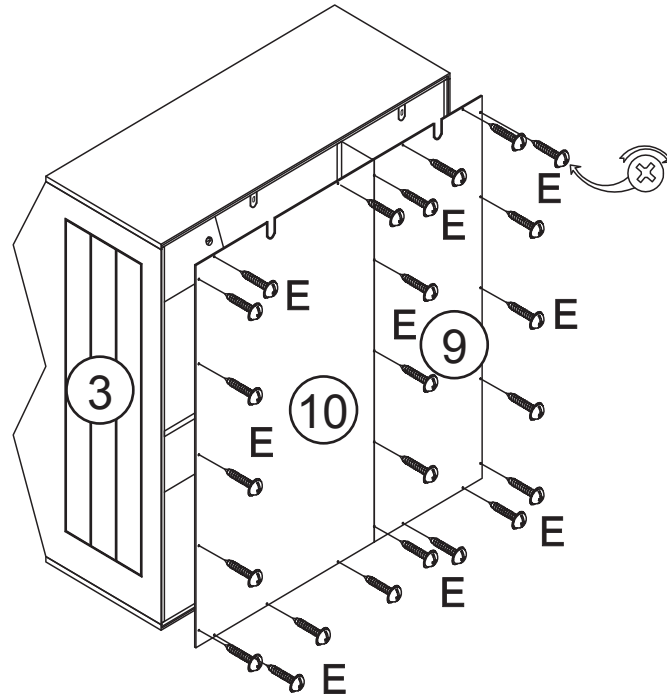
1. Insert 6 wood dowels (C) into wood dowel holes on end of left side panel (2), middle panel (4) and right side panel (3).
2. Attach bottom board (5) to left side panel (2), middle panel (4) and right side panel (3) by inserting 6 screws (D) through holes on bottom board (5) and tighten to left side panel (2), middle panel (4) and right side panel (3).

## STEP 6



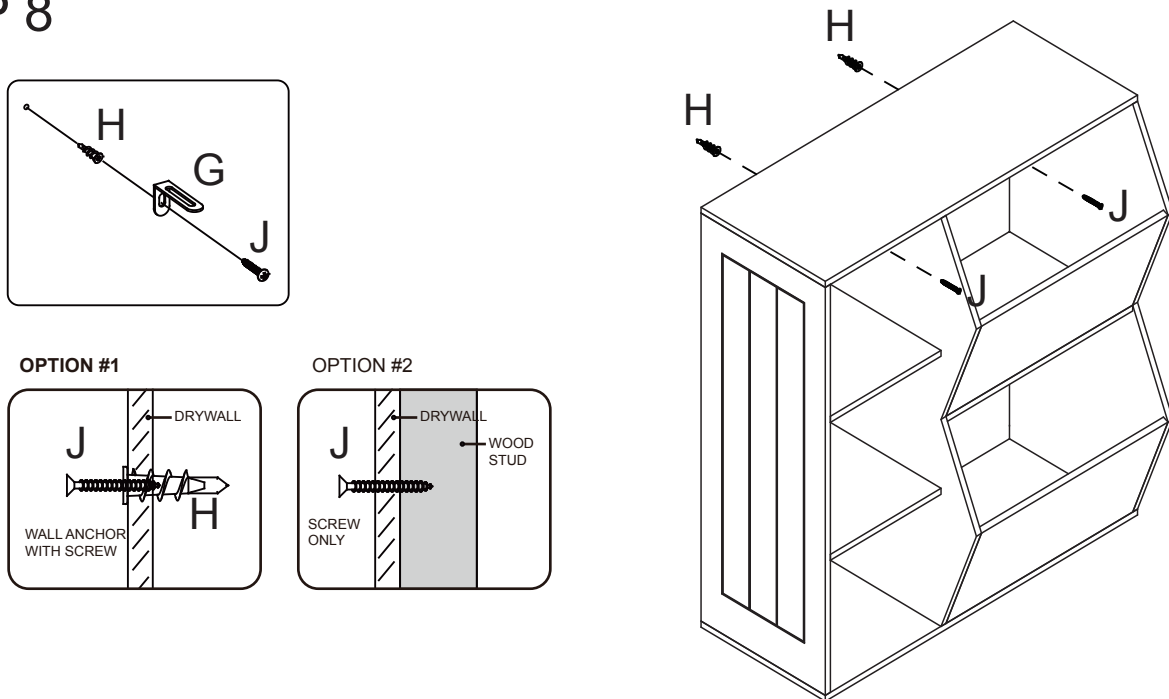
1. Attach top board (1) to pre-assembled unit by inserting cam bolts (A) into cam lock holes on end of left side panel (2), middle panel (4) and right side panel (3).
2. Insert 6 cam locks (B) into cam lock holes on end of left side panel (2), middle panel (4) and right side panel (3) and rotate clockwise to secure cam bolts in place.

## STEP 7



1. Attach large back board (10) and small back board (9) to pre-assembled cabinet.
2. Insert 24 screws (E) through holes in large back board (10) and small back board (9) and tighten to back of cabinet.

## STEP 8



### Option #1: Securing to Drywall

1. Position cabinet against wall in desired location. Using a pencil, make 2 small marks on wall through holes on brackets (G). Move cabinet away from wall and screw 2 plastic anchors (H) into wall on pencil marks.
2. Place cabinet against wall, insert 2 screws (J) through hole on anchor brackets (G), then tighten to plastic anchors (H).

### Option #2: Securing to Drywall and Wood Stud

1. Position cabinet against wall in desired location. Insert 2 screws (J) through hole on brackets (G), then tighten through drywall and into wood stud.

\*Tip: Anchor bracket (G) can be adjusted to correct distance from wall to cabinet as needed. Once adjusted, be sure to re-tighten bracket inside cabinet for stability.



ATTENTION ADULTS: Cabinet should be checked periodically for damage or loose screws/parts. Take appropriate action necessary to correct hazards such as tightening of screws and taking any damaged parts away from children.

**WARNING  Please make sure your item is secured to the wall, per assembly instructions.**

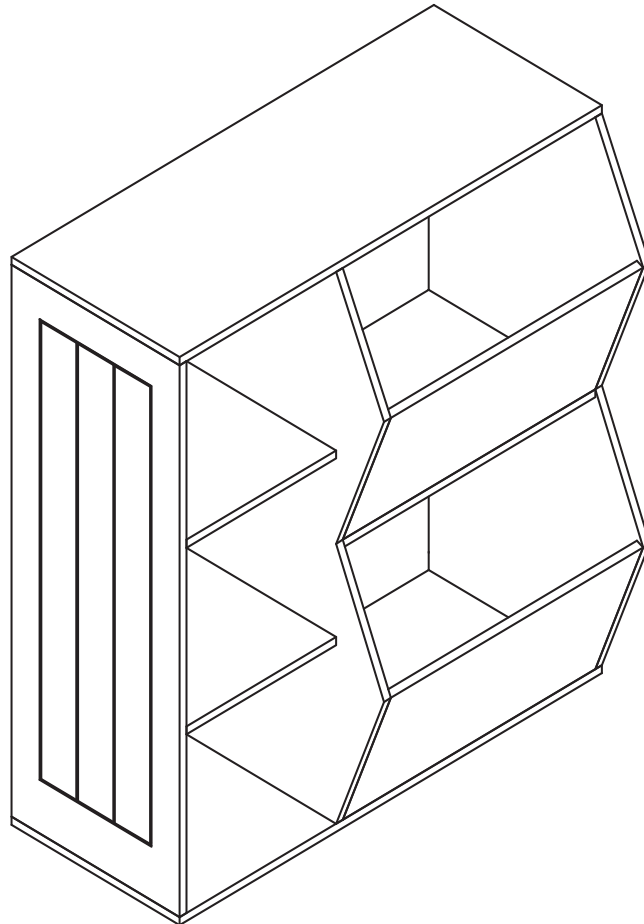
**CARE INSTRUCTIONS:**

Wipe clean with a water dampened cloth. Wipe dry with clean cloth.

**IMPORTANT:**

**Keep assembly instructions for future reference.**

## Enjoy your new RiverRidge® Cabinet!



Thank you for purchasing this RiverRidge® Home item. We hope you enjoy it and consider purchasing other RiverRidge® items.

To order replacement parts at no cost to you, email [customer.service@ssi-rr.com](mailto:customer.service@ssi-rr.com), call 1-(844)-223-5201 or order parts online at [www.riverridgehome.com](http://www.riverridgehome.com). Only valid in the United States. If purchased outside of the United States, please contact retailer where purchased.



RiverRidge® is a registered trademark of Sourcing Solutions, Inc., Hudson, WI 54016