

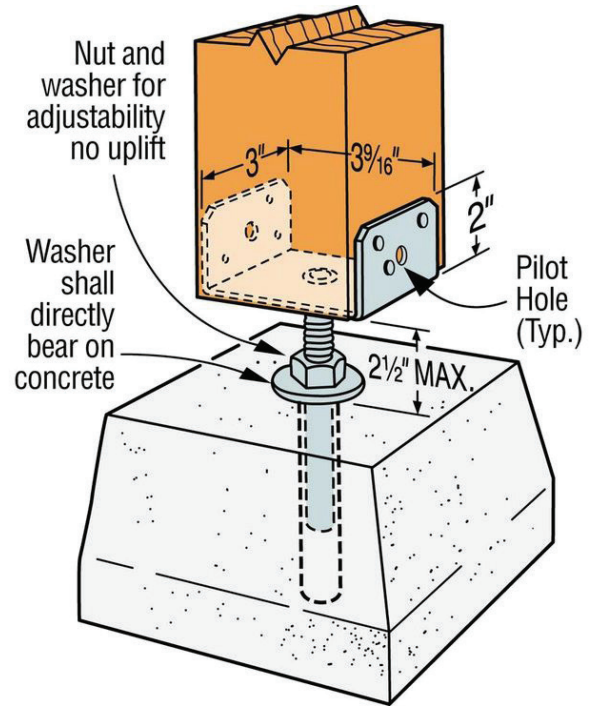
4 x 4 Adjustable Post Bracket

Designed for supporting and securing 4x4 posts or columns to concrete slabs or Pier Block

- Perfect for Decks or Patio Covers
- Can be installed into a pre-drilled hole in existing slab or precast concrete Pier Block

Installation Instructions

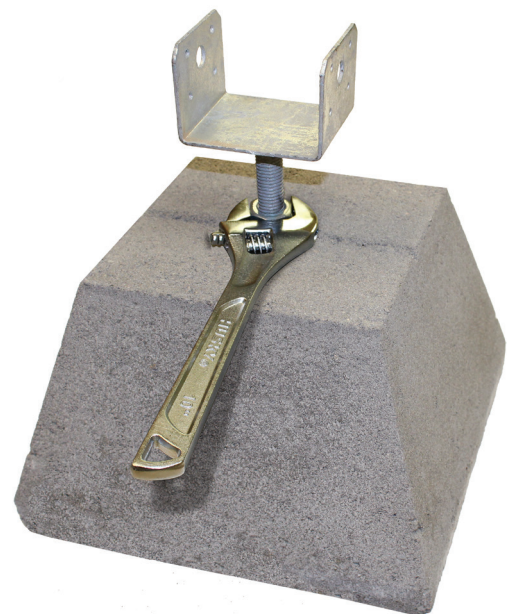
- For existing concrete slab, pre-drill 1" hole a minimum of 3 1/2" deep.
- For Pier Block, insert threaded rod into existing hole.
- Insert threaded rod and adjust nut to desired height. Do not exceed 2 1/2" of clearance between slab and bottom of post.



Adjustable Post Bracket



For Pier Block, insert threaded rod into existing hole.



Adjust nut to desired height.