

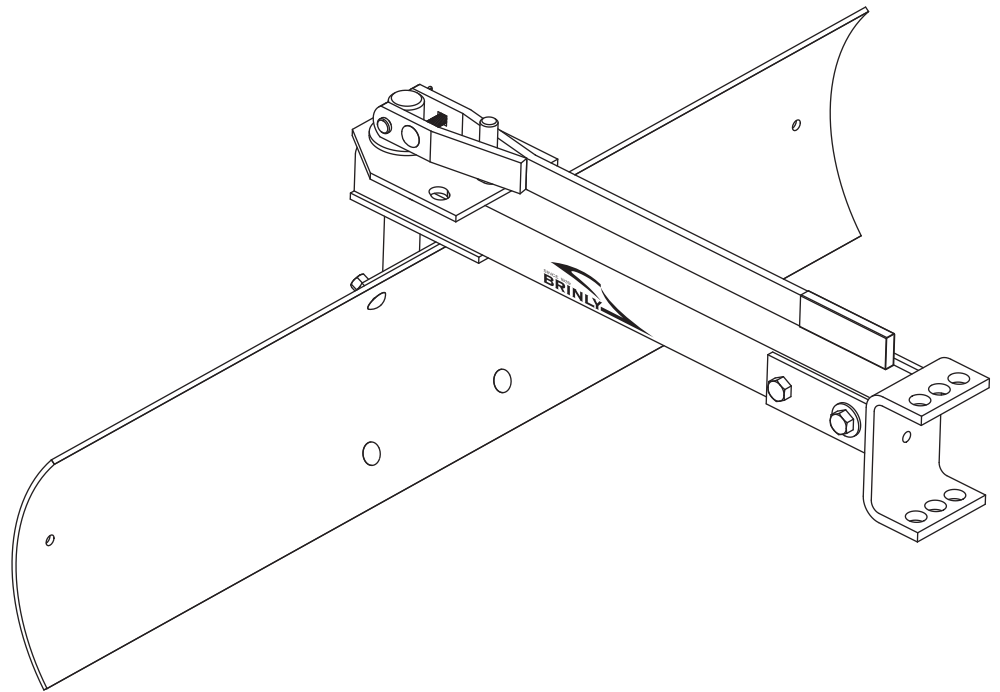
Owner's Manual

42" Grader Blade

MODEL:

BB-56

- Assembly
- Installation
- Operation
- Repair Parts



Recommended for use with Garden Tractors with Grader Blade. Tire chains and wheel weights are recommended.

▲ IMPORTANT This manual contains information for the safety of persons and property. Read it carefully before assembly and operation of the equipment!

For the latest product updates and setup tips:

Visit us on the web!
www.brinly.com

INTRODUCTION

CONGRATULATIONS on the purchase of your new Brinly-Hardy Grader Blade! Your Grader Blade is designed, engineered and manufactured to give you the best possible dependability and performance.

CUSTOMER RESPONSIBILITIES

Please read and retain this manual. The instructions enables you to assemble and maintain your Grader Blade properly. And please, always observe the "Safety" instructions.

TABLE OF CONTENTS

SAFETY.....	2-3
PARTS BREAKDOWN	4-5
ASSEMBLY	5-6
ADJUSTMENT	7
OPERATION AND MAINTENANCE	7
WARRANTY	Back page

PRODUCT COMPATIBILITY

This Grader Blade is designed for use with garden tractors equipped with Sleeve Hitch. Also, tire chains and wheel weights are recommended.

RECORD PURCHASE INFORMATION

Record your purchase information in the spaces provided below:

DATE OF PURCHASE:

COMPANY NAME:

COMPANY PHONE:

SERIAL NUMBER:

SAFETY

SAFETY LABELS

UNDERSTANDING THE MACHINE SAFETY LABELS:

The machine safety labels shown in this section are placed in important areas on your machine to draw attention to potential safety hazards.

On your machine safety labels, the words DANGER, WARNING, and CAUTION are used with this safety-alert symbol. DANGER identifies the most serious hazards.

The operator's manual also explains any potential safety hazards whenever necessary in special safety messages that are identified with the word, CAUTION, and the safety-alert symbol.



SAFETY

TO HELP PREVENT BODILY INJURY DUE TO LOSS OF STABILITY OR CONTROL:

- Read the vehicle's owner's manual, your tractor's owner's manual, and this owner's manual before using this Grader Blade.
- Know controls and how to stop quickly.
- Do not allow children to operate the vehicle, do not allow adults to operate without proper instruction and without having read the owner's manual.
- Do not carry passengers. Keep children and pets a safe distance away.
- Always wear substantial footwear. Do not wear loose fitting clothing that can get caught in moving parts.
- Keep your eyes and mind on your tractor/attachment and area being covered. Don't let other interests distract you.
- Stay alert for holes in the terrain and other hidden hazards.
- Keep the vehicle and attachments in good operating condition and keep safety devices in place.
- Keep all nuts, bolts and screws tight to be sure the equipment is in safe working condition.
- The vehicle and attachments should be stopped and inspected for damage after striking a foreign object. The damage should be repaired before restarting and operating the equipment.
- See tractor equipment owner's manual for safe operation of the equipment.
- Do not drive close to creeks, ditches and public highways.
- Watch out for traffic when crossing or near roadways.
- Before lowering or operating any attachments, ensure bystanders are not near the vehicle.
- Lower the Grader Blade and implement when leaving vehicle unattended.
- Stopping distance increases with speed and weight of attachment. Travel slowly and allow extra time and distance to stop.
- Attachments in the raised and lowered position can cause loss of traction and loss of control on slopes. Stay off steep slopes.
- Travel speed should always be slow enough to maintain control. Attachments in raised and lowered position can change stability of tractor.
- Travel slowly over rough ground.
- Do not let children or an untrained person operate machine.
- Do not let anyone, especially children, ride on this Grader Blade or the towing vehicle.
- Check vehicle brake action before you operate. Adjust or service brakes as necessary.
- Keep all parts in good condition and properly installed. Fix damaged parts immediately. Replace worn or broken parts. Replace all worn or damaged safety and instruction decals.
- Do not modify the Grader Blade or safety devices. Unauthorized modifications to the vehicle or Grader Blade may impair its function and safety, and void the warranty.
- Keep all nuts, bolts and screws tight.
- Always stop the tractor and raise Grader Blade to transport position BEFORE changing blade angle or reversing blade.
- Care should be taken not to "hang" the Grader Blade on surface projections such as corners of concrete driveways.
- Lock tractor lift handle DOWN when installing or removing Grader Blade on Sleeve Hitch.

SAFETY

Read the general safety operating precautions in your towing vehicle operator's manual for additional safety information.

PROTECT BYSTANDERS

- Keep bystanders away when you operate this machine. Before you back look carefully behind for bystanders.
- Before you operate any feature of this machine, observe your surroundings and look for bystanders.

OPERATE SAFELY

- Use this machine for intended purpose only.

TOWING SAFELY

- Stopping distance increases with speed and weight of attachment. Travel slowly and allow extra time and distance to stop.
- Total towing weight must not exceed limits specified in vehicle operator's manual.

KEEP RIDERS OFF HITCH AND ATTACHMENT

- Keep riders off Grader Blade and attachments.
- Riders on a Grader Blade or attachment are subject to injury, such as being struck by objects and being thrown off the attachment during sudden starts, stops and turns.
- Riders obstruct the operator's view, resulting in the attachment being used in an unsafe manner.

KEEP BODY PARTS FROM UNDER Grader Blade AND ATTACHMENTS

Before disconnecting this machine from towing vehicle hitch plate:

- Stop on level ground.
- Stop towing vehicle engine.
- Lock towing vehicle park brake.
- Block wheels of the machine.
- Make sure body parts are not under Grader Blade or attachments.

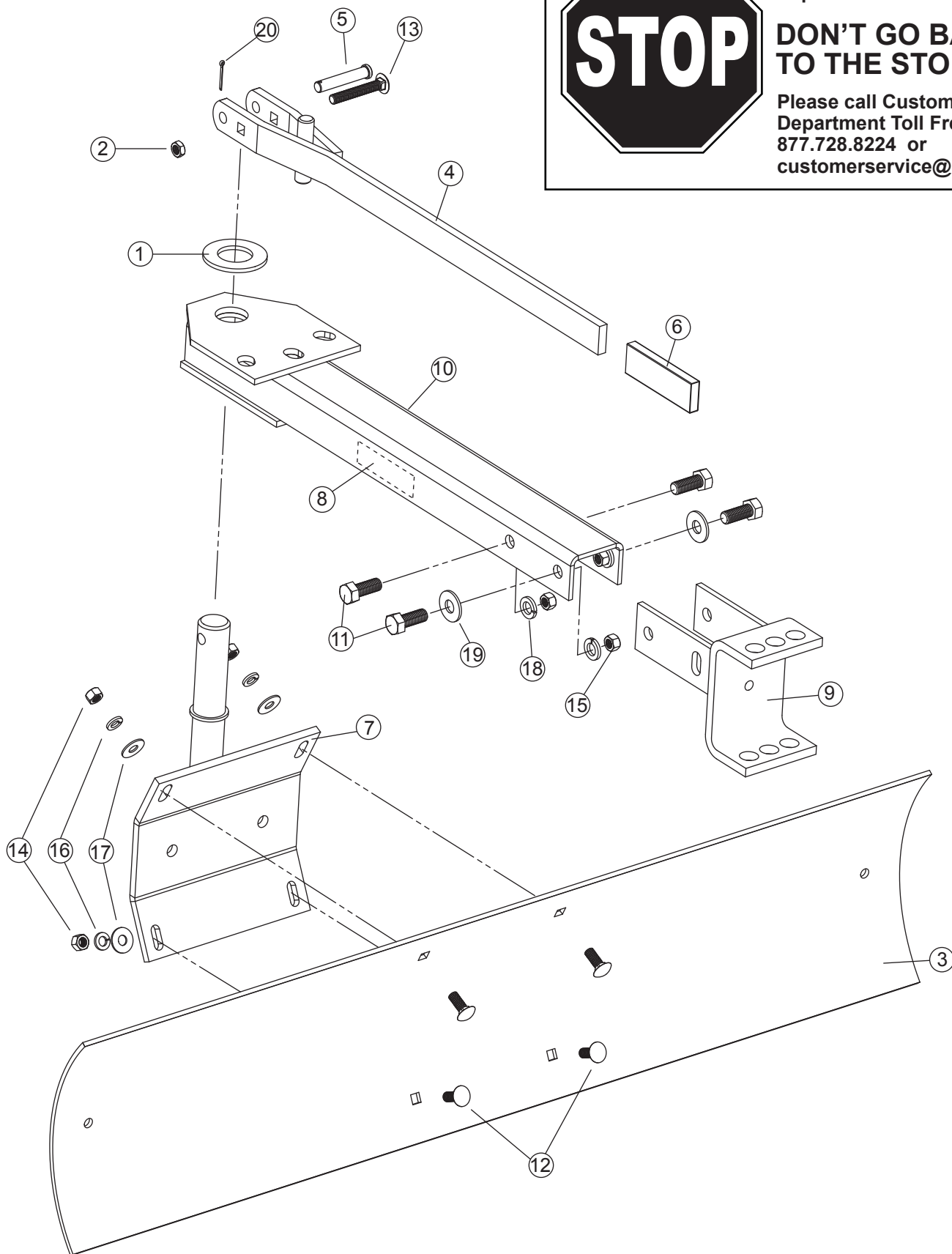
PARTS REFERENCE



Installation Questions?
Missing Parts?
Replacement Parts?

**DON'T GO BACK
TO THE STORE!**

Please call Customer Service
Department Toll Free
877.728.8224 or
customerservice@brinly.com



PARTS REFERENCE

Item #	Part #	Description	Qty
1	45M4440P	Washer, 1-1/4"	1
2	B-1675P	Locknut, 3/8"-16	1
3	B-2375-10	42" Blade Black	1
4	B-2376-10	Angling Bar Black	1
5	B-2578	Clevis Pin, 7/16" x 2-3/8"	1
6	B-3717	Vinyl Grip	1
7	B-2596-10	Blade Mount Black	1
8	B-5922	Brinly Decal	1
9	B-4265-10	Hitch Black	1
10	B-4351-10	Drawbar Black	1

Item #	Part #	Description	Qty
11	2M1620P	Hex Bolt, 1/2" x 1-1/4"	4
12	10M1216P	Carriage Bolt, 3/8" x 1"	4
13	10M1240P	Carriage Bolt, 3/8" x 2-1/2"	1
14	30M1200P	Hex Nut, 3/8"	4
15	30M1600P	Hex Nut, 1/2"	4
16	40M1200P	Lockwasher, 3/8"	4
17	45M1313P	Washer, 3/8"	4
18	40M1600P	Lockwasher, 1/2"	4
19	45M1717P	Washer, 1/2"	2
20	50M0416P	Cotter Pin, 1/8" x 1" SS	1

ASSEMBLY

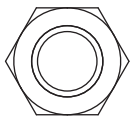
TOOLS REQUIRED:

- (1) 9/16" Wrench
- (2) 3/4" Wrenches
- (1) Pair of Slip Joint Pliers
- (1) Level

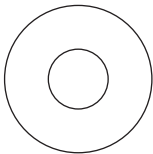
Figure 1

1. Assemble Blade to Blade Mount as shown. Assemble hardware loosely. You will fully tighten in adjustment step later.

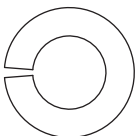
2. Install drawbar down onto the blade mount as shown.



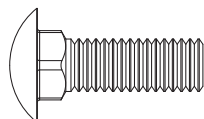
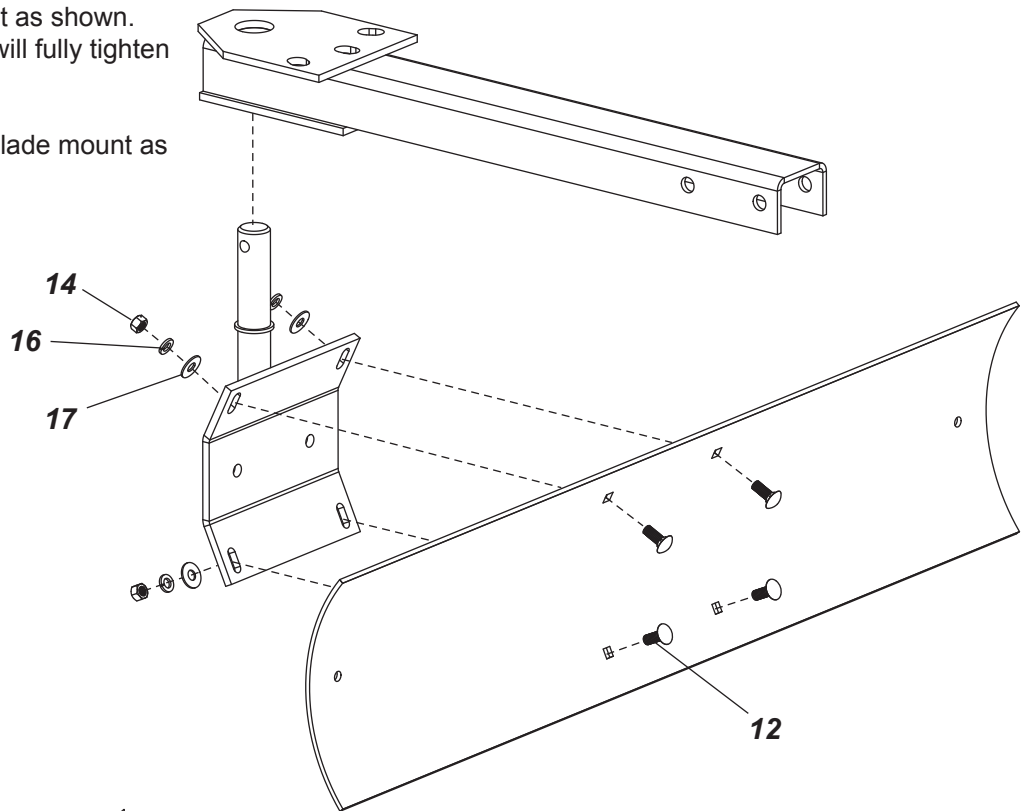
14
3/8" Hex Nut
Qty. 4



16
3/8" Lockwasher
Qty. 4



17
3/8" Washer
Qty. 4

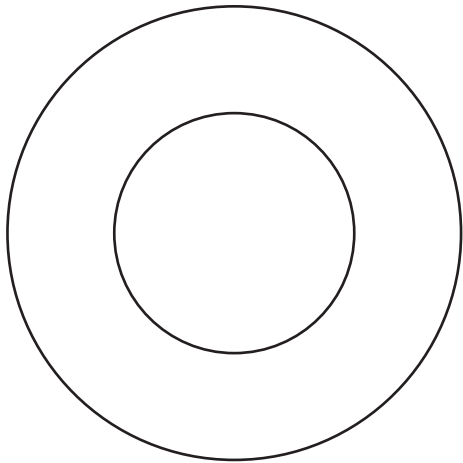
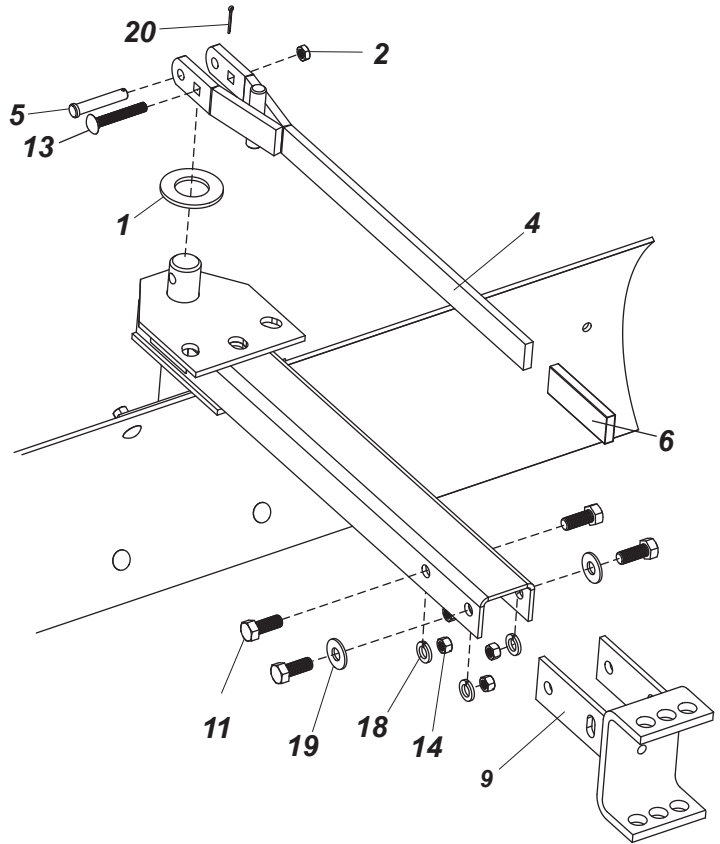


12
3/8" x 1" Carriage Bolt
Qty. 4

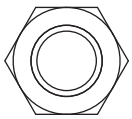
ASSEMBLY

Figure 2

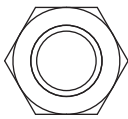
3. Install Large Flat Washer over Drawbar Post. Slide Angling Lever over Drawbar Post and assemble with Clevis Pin and Cotter Pin in outermost holes.
4. Install Carriage Bolt and Locknut into innermost holes.
5. Install Vinyl Grip onto Lever.
6. Assemble Hitch to Drawbar as shown.



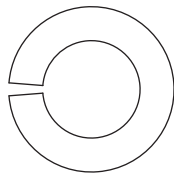
1
1-1/4" Washer
Qty. 1



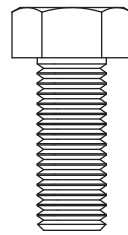
2
3/8" Locknut
Qty. 1



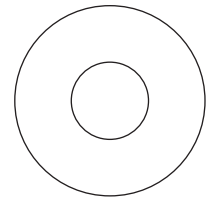
14
3/8" Nut
Qty. 4



18
1/2" Lockwasher
Qty. 4



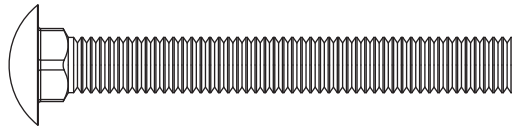
11
1/2" x 1-1/4" Hex Bolt
Qty. 4



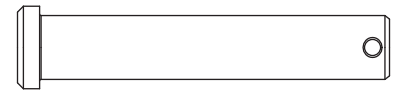
19
1/2" Washer
Qty. 2



20
1/8" x 1" Cotter Pin
Qty. 1



13
3/8" x 2-1/2" Carriage Bolt
Qty. 1



5
Clevis Pin
Qty. 1

ADJUSTMENT

Figure 3

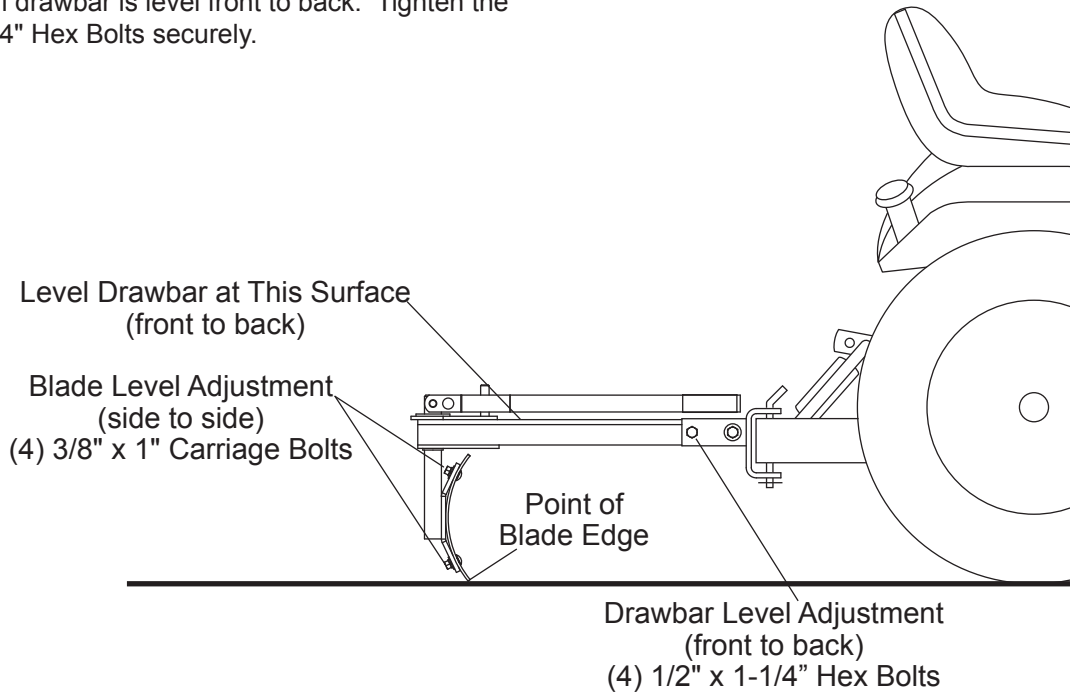
6. Attach the blade to the sleeve hitch on your tractor using the middle holes in the blade hitch.

7. Position the tractor (with blade) on a hard, level surface. Lower the blade and check to make sure it is level, side to side, and then tighten the (4) 3/8" x 1" Carriage Bolts holding the blade to the blade mount.

8. Place a level on the top of the drawbar. Adjust hitch assembly until drawbar is level front to back. Tighten the (4) 1/2" x 1-1/4" Hex Bolts securely.

9. The stabilizer bolts on the hitch should be tightened against the yoke on drawbar to prevent any "side sway" during the operation of the blade.

10. The operating depth of the blade needs to be set now. Make sure the tractor hitch is free to allow blade to go below ground level, but still maintaining a minimum of 5" transport height when raised. Refer to your tractor and/or sleeve hitch manual for any necessary adjustments.



OPERATION

Various blade angles (left and right) are obtained by lifting lever, rotating the blade to the desired angle, then lowering the lever into one of the locking holes.

To use the blade with the tractor in reverse gear, raise the lever, rotate the blade 180 degrees and lock into the desired position.

The rear blade is designed to be used in a variety of light jobs such as leveling, scraping, raking, back filling, snow removal, etc.

The tractor speed while operating the rear blade should be governed by the task to be accomplished.

While grading, do not attempt to cut excessive amounts of hard packed material at a high rate of speed.

NOTE: Operate at a speed which allows loose material that has piled up on the face of the blade to be deposited in low areas.

MAINTENANCE

After the blade edge has worn considerably, it should be rotated (from bottom to top) to provide a "new" edge. Remove the four 3/8" x 1" Carriage Bolts, rotate the blade, and then reassemble the unit with the "new" edge on the surface.

Lubricate all pivoting points with a drop or two of 30 weight oil.

MANUFACTURER'S LIMITED WARRANTY FOR



Pull Behind Accessories

The limited warranty set forth below is given by Brinly-Hardy Company with respect to new merchandise purchased and used in the United States, its possessions and territories.

Brinly-Hardy Company warrants the products listed below against defects in material and workmanship, and will at its option, repair or replace, free of charge, any part found to be defective in materials or workmanship. This limited warranty shall only apply if this product has been assembled, operated, and maintained in accordance with the Operator's manual furnished with the product, and has not been subject to misuse, abuse, commercial use, neglect, accident, improper maintenance, alteration, vandalism, theft, fire, water, or damage because of other peril or natural disaster.

Normal Wear Parts or components thereof are subject to separate terms as follows: All normal wear parts or component failures will be covered on the product for a period of 90 days.

Parts found to be defective within the warranty period will be replaced at our expense. Our obligation under this warranty is expressly limited to the replacement or repair, at our option, of parts found to be defective in material and workmanship.

HOW TO OBTAIN SERVICE: Warranty parts replacements are available, ONLY WITH PROOF OF PURCHASE, through our Pull Behind Accessories Customer Service Department. Call 877-728-8224.

This limited warranty does not provide coverage in the following cases:

- Routine maintenance items such as lubricants and filters.
- Normal deterioration of the exterior finish due to use or exposure.
- Transportation and/or labor charges.
- The warranty does not include commercial and/or rental use.

No implied warranty, including any implied warranty of merchantability of fitness for a particular purpose, applies after the applicable period of express written warranty above as to the part as identified below.

No other express warranty whether written or oral, except as mentioned above, given by any person or entity, including a dealer or retailer, with respect to any product, shall bind Brinly-Hardy Co. During the period of the warranty, the exclusive remedy is repair or replacement of the product as set forth above.

The provisions as set forth in this warranty provide the sole and exclusive remedy arising from the sale. Brinly-Hardy Co. shall not be liable for incidental or consequential loss or damage including, without limitation, expenses incurred for substitute or replacement lawn care services or for rental expenses to temporarily replace a warranted product.

Some states do not allow the exclusion or limitation of incidental or consequential damages, or limitations on how long an implied warranty lasts, so the above exclusions or limitations may not apply to you.

During the warranty period, the exclusive remedy is replacement of the part. In no event shall recovery of any kind be greater than the amount of the purchase price of the product sold. Alteration of safety features of the product shall void this warranty. You assume the risk and liability for loss, damage, or injury to you and your property and/or to others and their property arising out of the misuse or inability to use this product.

This limited warranty shall not extend to anyone other than the original purchaser or to the person for whom it was purchased as a gift.

HOW STATE LAW RELATES TO THIS WARRANTY: This limited warranty gives you specific legal rights, and you may also have other rights which vary from state to state.

IMPORTANT: The Warranty period stated below begins with the PROOF OF PURCHASE. Without the proof of purchase, the Warranty period begins from the date of manufacture determined by the serial number manufacturing date.

Grader Blade WARRANTY PERIOD:

The warranty period for this Grader Blade is 2 Years.