

Features

- Three-function pull-down sprayhead allows you to switch between stream, Sweep® spray and BerrySoft® spray.
- Sweep® spray is a wide, powerful blade of water that sweeps your dishes and sink clean.
- BerrySoft® is a light spray ideal for washing hands, rinsing delicate dishware and prepping fruits and vegetables.
- DockNetik® magnetic docking system securely locks the sprayhead into place when not in use.
- ProMotion® technology allows the pull-down sprayhead to swivel for more comfortable use.
- High-arch 360° rotating swing spout offers vertical clearance for tall cookware and pitchers.
- 9-1/16" (230 mm) swing spout reach.
- 1.5 gpm (5.7 l/min) maximum flow rate at 60 psi (4.14 bar).
- Single lever handle makes adjusting water temperature easy with one hand.
- Temperature memory allows faucet to be turned on and off at the temperature set during prior usage.
- MasterClean™ sprayface withstands mineral buildup to wipe clean easily.
- KOHLER® ceramic disc valves exceed industry longevity standards, ensuring durable performance for life.

Material

- Premium metal construction.
- KOHLER finishes resist corrosion and tarnishing.

Installation

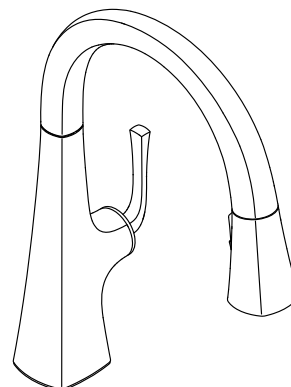
- Deck-mount.
- Single-hole (3-hole escutcheon available; K-22071, sold separately).
- Flexible supply lines simplify installation.

Adapters, Rough-in and Extension Kits

1012715 Range: 2-1/2" (64 mm) - 4-5/8" (118 mm)

Optional Products/Accessories

K-22071



ADA

CSA B651

Codes/Standards

ASME A112.18.1/CSA B125.1

NSF/ANSI 61

NSF/ANSI 372

All applicable US Federal and State material regulations

DOE - Energy Policy Act 1992

California Energy Commission (CEC)

ADA

ICC/ANSI A117.1




CSA B651

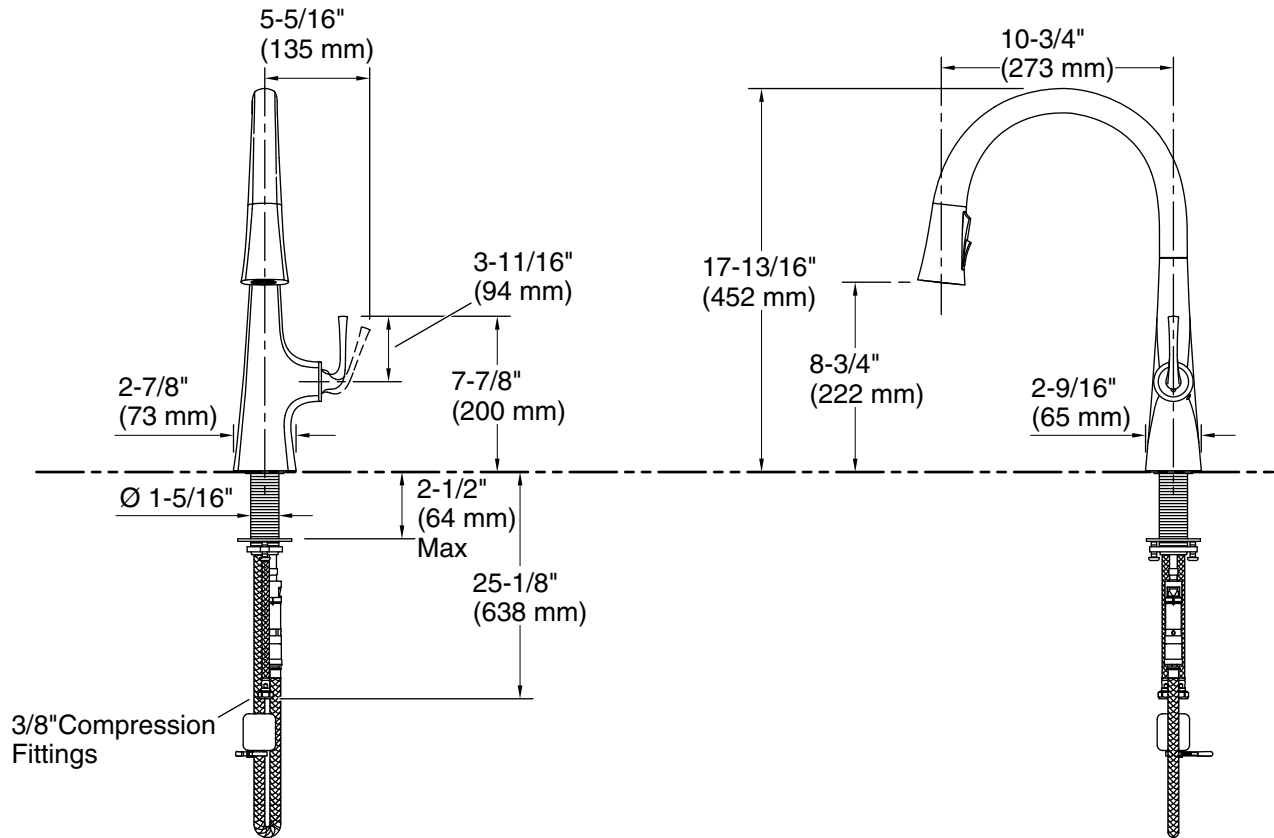
KOHLER® Faucet Lifetime Limited Warranty

See website for detailed warranty information.

Available Colors/Finishes

Color tiles intended for reference only.

Color	Code	Description
	CP	Polished Chrome
	VS	Vibrant® Stainless
	BL	Matte Black



Technical Information

All product dimensions are nominal.

Valve body: Plastic

Drain included: No

Notes

Install this product according to the installation instructions.

ADA, CSA B651 compliant when installed to the specific requirements of these regulations.