

# OWNER'S MANUAL TOP FREEZER REFRIGERATOR

Please read this manual carefully before operating your set and retain it for future reference.

**Model Name**\*\*=color number

LTC20380**	GM-T248Q*
LTC24380**	GM-U652S*DP
LTCS20220*	GM-U552S*DP
LTCS24223*	GM-T208Q*



# TABLE OF CONTENTS

<b>Spanish Version</b>	<b>34</b>	<b>Refrigerator Care and Cleaning</b>	<b>18-19</b>
		Refrigerator Cleaning	18
<b>Important Safety Instructions</b>	<b>2-3</b>	Outside	18
Requirements for Ground Connection	3	Inside Walls	18
		Door Lining & Gaskets	18
		Plastic Parts (Covers and Panel)	18
<b>Parts and Features</b>	<b>4</b>	Back Cover	18
		Replacing Refrigerator Lights	18
		Power Interruptions	19
		When Going on Vacation	19
		When Moving	19
<b>Refrigerator Installation</b>	<b>5-11</b>	<b>About the Automatic Ice Maker</b>	<b>20</b>
Unpacking	5		
Installation	5	<b>Connecting the Water Line</b>	<b>21-23</b>
How to remove and Install the			
Refrigerator Doors	6-8	<b>Troubleshooting Guide</b>	<b>24-29</b>
How to reverse and Install the			
Refrigerator Doors	9-11	<b>Warranty</b>	<b>30-31</b>
Closing and Aligning the doors	12		
<b>Using your Refrigerator</b>	<b>13-15</b>		
Ensuring Proper Air Circulation	13		
Adjusting the Controls	13		
Adjusting Control Settings	14		
Food Storage Guide	14		
Refrigerator Shelves	16		
Ice tray	16		
Pantry Drawer	16		
Crisper and Vegetable Drawer	17		
Crisper Humidity Control	17		
Door Racks	17		
Dairy Compartment	17		

# IMPORTANT SAFETY INSTRUCTIONS

## SAFETY MESSAGES

This manual contains several important safety notices. Always read and obey all of the following safety messages.



This is the safety alert symbol. This symbol is a warning to potential dangers that could cause death, injury or damage to you, others or the product. All safety messages will follow after this warning symbol and the word "DANGER", "CAUTION" or "WARNING". These words mean:

### DANGER

You may be killed or suffer fatal damage if you do not follow instructions.

### WARNING

You may be killed or seriously injured if you do not follow instructions.

### CAUTION

Indicates a potentially hazardous situation which, if not avoided, may result in minor injury or damage to the product.

All safety messages inform you of potential danger, advise you on how to reduce the risk of injury and tell you what can occur if the instructions are not followed.

## WARNING

**To reduce the risk of fire, electrical shock or personal injury, the following precaution measures should be followed:**

- NEVER disconnect the refrigerator by pulling the power cord, always grip the plug firmly and disconnect it directly from the outlet.
- Immediately repair or replace all faulty or damaged service cables. Do not use cords that have cracks or abrasion damage on the length of the cord or on the plug.
- When moving your refrigerator, take care not to roll over the electrical cord.
- **DO NOT** store or use gasoline or other combustible liquids or vapors in proximity with this or any other electrical appliance.
- **DO NOT** permit children to climb, stand or swing from the doors or shelves of the refrigerator. This can cause serious injury to them and damage to the product.
- Keep your fingers away from areas in which they can become caught, such as the doors, hinges and cabinets. Be careful closing the doors when children are near.
- Unplug the refrigerator before cleaning or repairing. **NOTE:** We strongly recommend that any repair services be performed by a qualified professional.
- Before replacing a burned-out light bulb, unplug the refrigerator or shut down the circuit breaker to avoid contact with a live wire (the bulb could break while being replaced). **NOTE:** Setting the control to the OFF position does not disconnect the power from the light bulb circuit.
- Do not keep bottles in the freezer compartment, they could explode after freezing and cause damage.
- For your safety, this product should be properly grounded. Have a qualified professional check the electrical circuit and outlet to ensure a proper ground connection.
- Read all instructions before utilizing the product. Utilize this product only as explicitly expressed in this guide.
- Once the refrigerator is operating, avoid touching cold surfaces of the freezer with damp or wet hands; the skin could become adhered to these surfaces.
- In refrigerators with an automatic ice dispenser, avoid contact with moving parts of the ejector mechanism or with the heating mechanism that discharges the cubes. **DO NOT** place your fingers or hands in the ice dispenser mechanism while the refrigerator is connected.
- **DO NOT** refreeze foods which have already thawed. The Department of Agriculture of the United States, in your Bulletin of Home and Gardens No. 69 establishes that:  
"..You can refreeze food that has thawed if they contain ice crystals or are cold and below 40 °F (4 °C)".  
"..Ground beef, perishable food or seafood that is discolored or has an unpleasant odor should not be frozen or consumed. Consumption of melted ice cream should also be avoided. If the odor or color of food is questionable, discard it. The food may be dangerous to consume".  
"Partial thawing or refreezing reduces the quality of the food, especially fruit, vegetables and prepared meals. The quality of red meat is less affected than that of other foods. Use refrozen products as soon as possible in order to maintain their quality".

 **WARNING:** This product contains chemicals known to the State of California to cause cancer. **Wash hands after handling.**

**KEEP THESE INSTRUCTIONS**

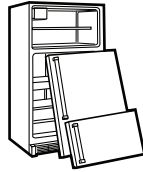


## ⚠ CAUTION

This appliance is not intended for use by children, persons with physical or mental disabilities, persons with reduced sensory or mental capacity, or persons that lack experience or know-how, unless they have supervision or instruction in relation to the use of the appliance by the person responsible for their safety. Children should be supervised to assure that they do not play with the appliance.

## ⚠ DANGER: CHILDREN MAY BECOME TRAPPED

Children becoming trapped or suffocated is not a problem of the past. Discarded and abandoned refrigerators are a hazard, even if they remain there "for just a few days". If you would like to dispose of your old refrigerator, please follow the instructions below to prevent any accidents.



### BEFORE DISPOSING YOUR REFRIGERATOR OR FREEZER WHEN NO LONGER IN USE:

- Remove the doors.
- Leave the shelves in place so that children cannot easily become stuck in them.

## CFC DISPOSAL

Your old refrigerator may have a cooling system that uses CFC's (chlorofluorocarbons). CFC affects the stratospheric layer of the ozone.

If you decide to throw out your old refrigerator, ensure that CFC contaminants are properly disposed of by a qualified professional. If you intentionally remove the CFC refrigerant, you could be subject to fines or prison in accordance with environmental legislation in effect.

## REQUIREMENTS FOR GROUND CONNECTION

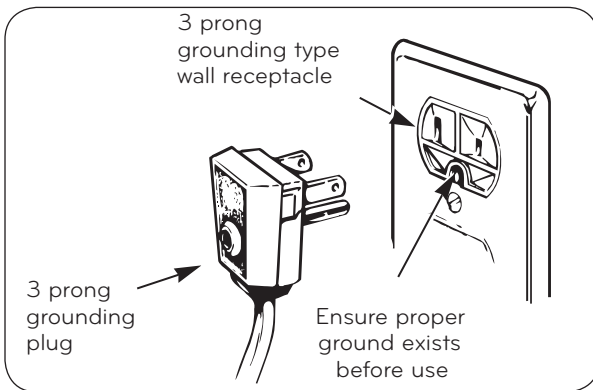
**IMPORTANT:** Attentively read the following.

### TO CONNECT ELECTRICITY

#### ⚠ WARNING

##### ELECTRICAL SHOCK HAZARD

**FOR YOUR PERSONAL SAFETY**, this appliance must be properly grounded. Have a qualified electrician check your wall outlet to ensure that the plug is grounded properly.



### RECOMMENDED GROUNDING METHOD

Your refrigerator must always be plugged to its own outlet which is adequately grounded. The energy current should only be 115 V ~ 60 Hz, AC or 127 V ~ 60 Hz, AC (according to the National rating), and fused at 15 or 20 A. This provides the best performance and prevents an overload which could cause a fire from the overheating of the cables. It is recommended that a separate circuit be used for this appliance, as well as a receptacle that cannot be disconnected with a switch.

Do not use an extension cable.

It is your responsibility and obligation to replace two-prong outlets with that of an adequately grounded three-prong outlet.

**Do not, under any circumstance, cut or extract the third prong from the plug.**

**NOTE:** Before installation, cleaning or replacing light bulbs, you must disconnect the appliance from the power source. When finished, plug the appliance back in and adjust the thermostat to the desired position.

### USE OF EXTENSION CABLES

**We do not recommend the use of extension cables.** However, if you still choose to utilize an extension cable, it is absolutely necessary that it is listed in the UL (in the United States) or CSA (in Canada), that it supports three-pronged plugs and that the electrical current support a minimum of 15 A and 120 V.

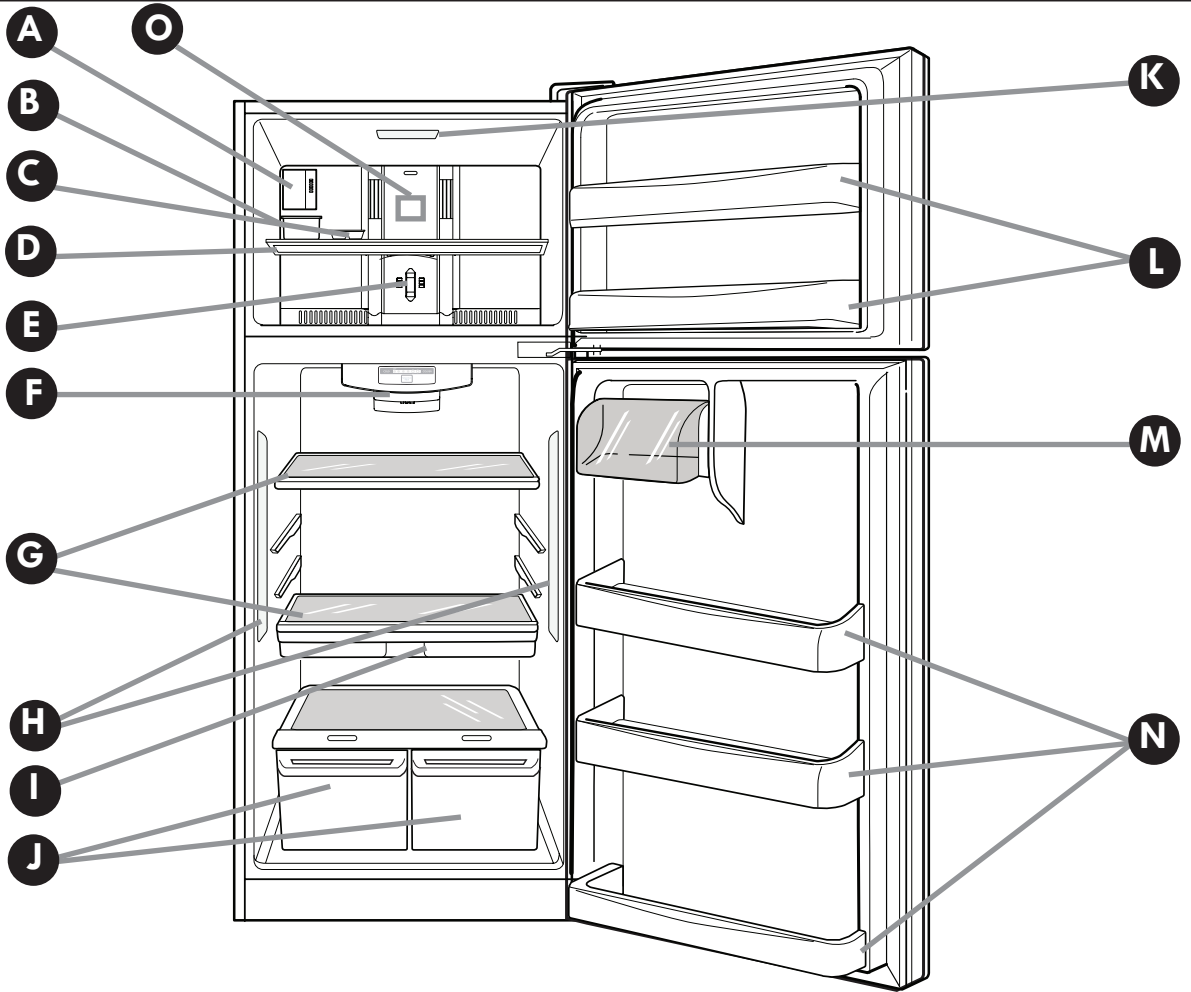
The use of an extension cable will increase the amount of space needed behind the refrigerator.

#### ⚠ WARNING

##### REPLACING ELECTRICAL CABLE

If the power cord is damaged, it must be replaced by our service center or qualified LG technician to avoid any risk.

## PARTS AND FEATURES



Use this page to become more familiar with the parts and features of your refrigerator. Page references are included for your convenience.

NOTE: This guide covers several models. The refrigerator you have purchased may have some or all of the items listed below. The locations of the features shown below may not match your model.

- |   |                                   |
|---|-----------------------------------|
| <b>A</b> Custom Cube Icemaker*            | <b>H</b> Refrigerator Light (LED) |
| <b>B</b> Ice Bin                          | <b>I</b> Pantry Drawer            |
| <b>C</b> Ice Tray*                        | <b>J</b> Crispers                 |
| <b>D</b> Freezer Shelf                    | <b>K</b> Freezer Light (LED)      |
| <b>E</b> Freezer Temperature Control      | <b>L</b> Freezer Door Bins        |
| <b>F</b> Refrigerator Temperature Control | <b>M</b> Dairy Bin                |
| <b>G</b> Shelves                          | <b>N</b> Refrigerator Door Bins   |
|   | <b>O</b> F- Deco Duct             |

\* On some models

# REFRIGERATOR INSTALLATION

## ⚠ WARNING

### EXCESSIVE WEIGHT HAZARD

Use the assistance of two or more persons to move or install the refrigerator. Not following these instructions may cause injury to the back and other parts of the body.

## UNPACKING

Before installing your refrigerator, remove any tape or temporary stickers. Do not remove any stickers that feature warnings, the model serial number or the technical label of the product located on the back of the refrigerator.

To remove adhesive tape residue, rub it well with your fingers and a little liquid detergent. Clean with warm water and let dry.

Do not use sharp instruments, rubbing alcohol, flammable liquids or abrasive cleaning products to remove the adhesive tape or glue. These products can damage the surface of your refrigerator. For more information, see the section on "Important Safety Instructions".

The shelves come already installed in their factory position. Remove the shelves and replace them according to your spacing needs.

### Moving Your Refrigerator:

Your refrigerator is extremely heavy. Make sure you protect the floor when moving your refrigerator for cleaning or servicing. Always pull your refrigerator straight out when moving it. Do not shift from side to side or "walk" the refrigerator when attempting to move it as this can cause damage to the floor.



## ⚠ WARNING

### EXPLOSION HAZARD



Keep all flammable materials and vapors (such as gasoline) away from the refrigerator. Not following these instructions may cause death, explosion or fire

## INSTALLATION

1. Avoid placing the unit near heat sources, direct sunlight, or humidity.
2. To avoid vibration, the unit should be leveled. If needed, adjust the leveling screws to compensate for an unlevelled floor. The front should be slightly taller than the rear to ensure that the doors close properly. The leveling screws can easily be turned by slightly tilting the front of the refrigerator, turning the leveling screws clockwise (  ) to raise it and counter-clockwise (  ) to lower it.
3. Install the refrigerator in an area between 55 °F (13 °C) and 110 °F (43 °C). If the surrounding temperature is lower or higher than previously mentioned, it can adversely affect the unit.

**⚠ CAUTION:** Avoid placing the unit near heat sources, direct sunlight or humidity.

## ONCE INSTALLED

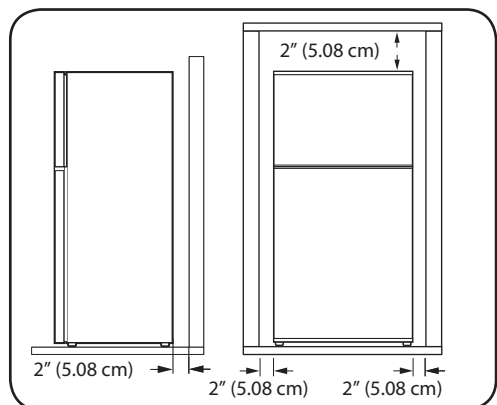
1. Carefully clean your refrigerator and remove and dust accumulated during shipping.
2. Install accessories such as the ice bin, door racks, shelves, etc., in their proper places. These are already packed to prevent any possible damage during shipping.
3. Leave your refrigerator on for 2 to 3 hours before storing food inside. Verify that there is a flow of cold air in the freezer compartment to ensure proper cooling. Your refrigerator is now ready for use.

### ⚠ WARNING:

- Take care when working with the hinges, base cover and stops, etc. You may injure yourself.
- DO not place your hands or any tools in the air vents, the base cover or in the bottom of the refrigerator. This may cause injury or electrical shock.

### Keep a Proper Distance from Adjacent Objects

Please keep the refrigerator at an adequate distance from other objects. Insufficient spacing can reduce the refrigerator's freezing efficiency and increase electricity consumption.



# REFRIGERATOR INSTALLATION

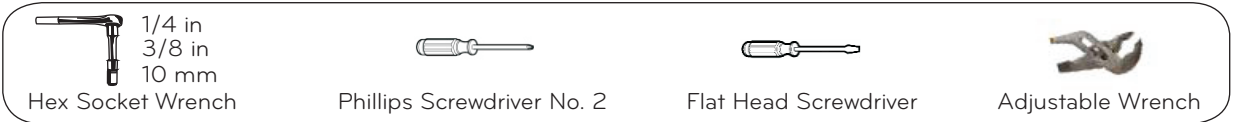
## HOW TO REMOVE AND INSTALL THE REFRIGERATOR DOORS

(For additional support on this topic, including helpful videos, please visit us at: [www.lg.com](http://www.lg.com)).

If entrance is less than 35 inches wide, the refrigerator's door will need to be removed.

**IMPORTANT:** Before starting, turn off and unplug the refrigerator. Remove all food and the racks from the doors.

### TOOLS YOU MIGHT NEED OR USE



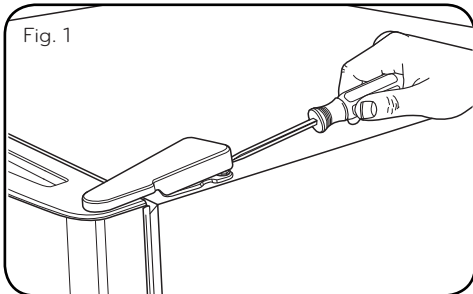
### **⚠ WARNING**

#### **ELECTRICAL SHOCK HAZARD**

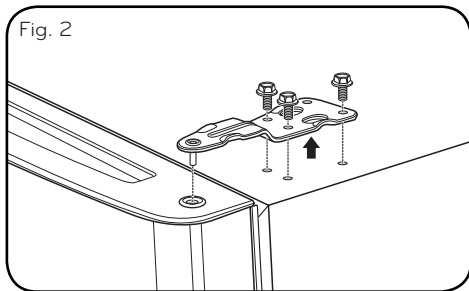
Before you begin, either unplug the refrigerator or turn off the power at the circuit breaker or fuse box. Remove food and any door rack from the refrigerator. Failure to do so could result in death or serious injury.

### 1. Removing Freezer Door

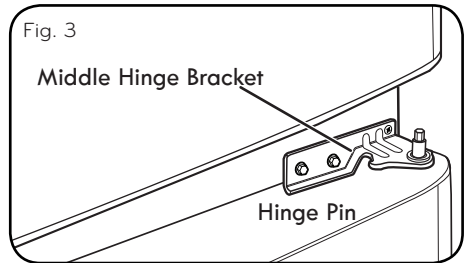
- Gently pry off the Top Hinge Cover with a flat head screwdriver and remove it. See Fig. 1.



- Using 10 mm or 3/8 inch socket wrench, remove the three bolts and lift the Top Hinge (See Fig. 2). Set parts aside.

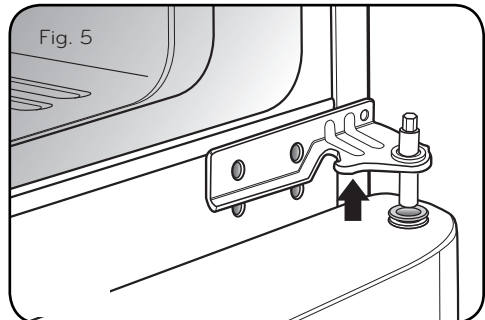
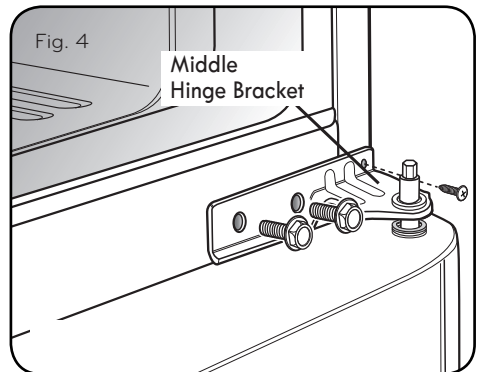


- Lift freezer door slightly and remove it (See Fig. 3) Set parts aside.



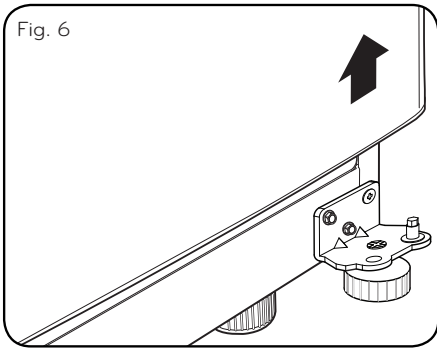
### 2. Removing Refrigerator Door

- Loosen and remove the two bolts and the screw to remove the middle hinge bracket from refrigerator housing (Figure 4). Set parts aside (Figure 5).



- Lift up door slightly and remove it (See Figure 6).

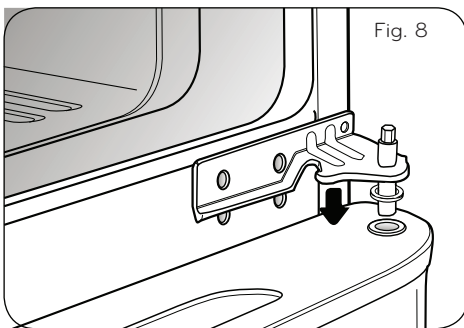
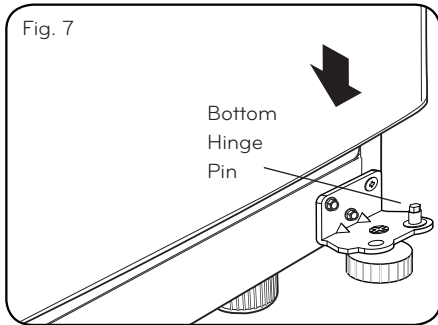
# REFRIGERATOR INSTALLATION



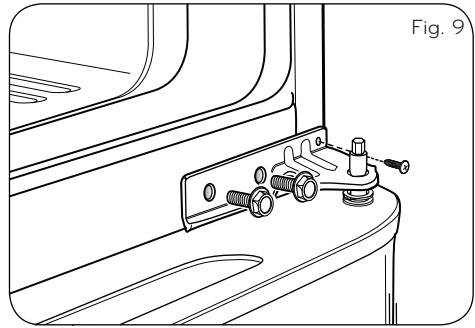
- To replace doors, begin with refrigerator door and then follow with freezer door.

## 3. Replacing Refrigerator Door

- Set door on Bottom Hinge Pin (See Figure 7).
- Place hinge pin of middle bracket inside the hinge pin insert on the top of the door (See Figure 8). Hold the door in place and line up the hinge with the holes in the refrigerator housing.

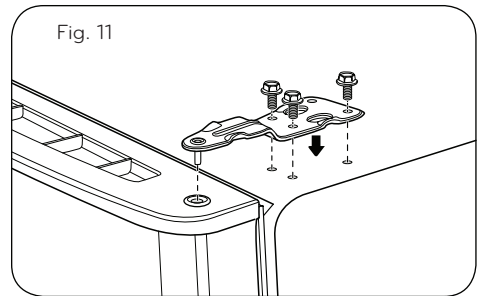
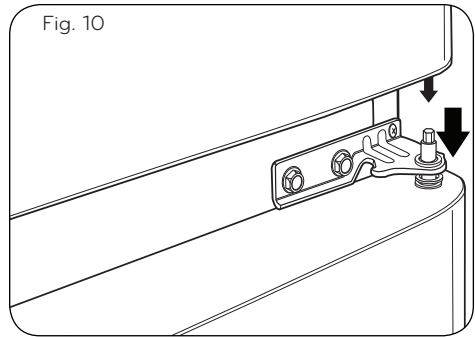


- Use the two bolts and the screw to refasten the middle hinge with the refrigerator housing. See Figure 9.

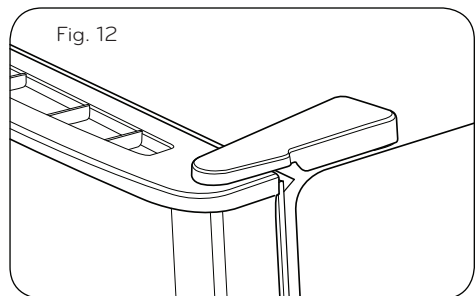


## 4. Replacing Freezer Door

- Set the freezer door onto the Middle Hinge pin (Figure 10).
- Place upper hinge in the top of the freezer door and line up the hinge with the holes in top of refrigerator. Use the three bolts to fasten the hinge (See Figure 11).



- Carefully, force the top hinge cover back into place over hinge (See Figure 12).

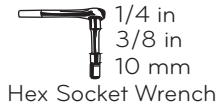


# REFRIGERATOR INSTALLATION

## HOW TO REVERSE AND INSTALL THE REFRIGERATOR DOORS

You may find it more convenient to have the doors converted from the left opening type (factory installed) to the right opening type. Directions refer to the right side as the side on your right as you face the unit.

### TOOLS YOU MIGHT NEED OR USE



Phillips Screwdriver No. 2



Flat Head Screwdriver

### ⚠ WARNING

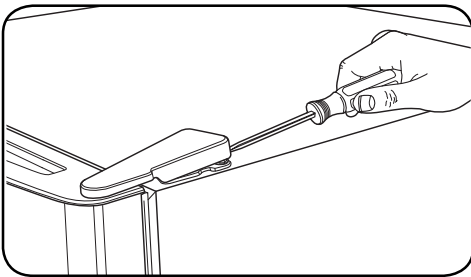
#### ELECTRICAL SHOCK HAZARD

Before you begin, either unplug the refrigerator or turn off the power at the circuit breaker or fuse box. Remove food and any door rack from the refrigerator. Failure to do so could result in death or serious injury.

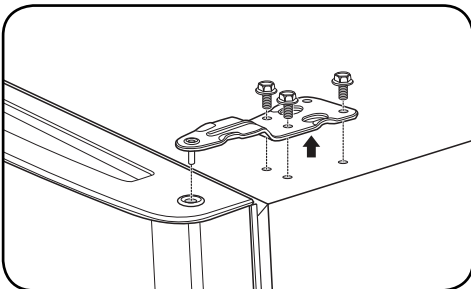
Move the Hinge Pin Insert Bracket to the other side of the door, keeping the same orientation, and move the Hinge Pin Insert into the hole on the left side of the bracket.

### 1. Removing Freezer Door

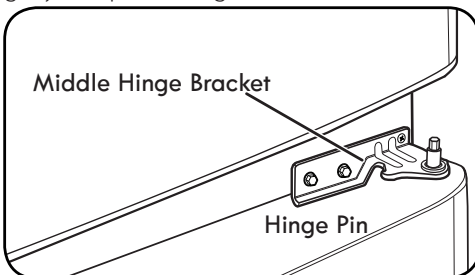
Gently pry off the top hinge cover with a flat head screwdriver and remove.



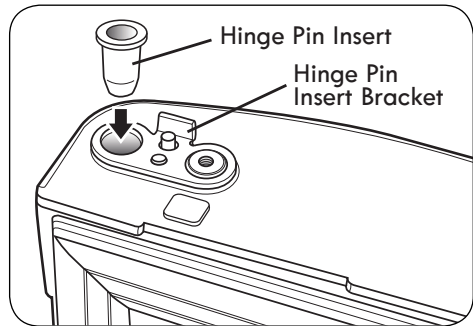
Using 10mm or 3/8 inch socket wrench, remove the three bolts and lift off the top hinge. Set parts aside.



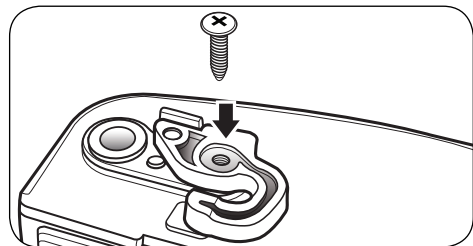
Slightly lift up the refrigerator door and remove it.



Turn the freezer door upside down on a non-scratch surface. Loosen the screw to remove the Door Closer/Stop and Hinge Pin Insert.

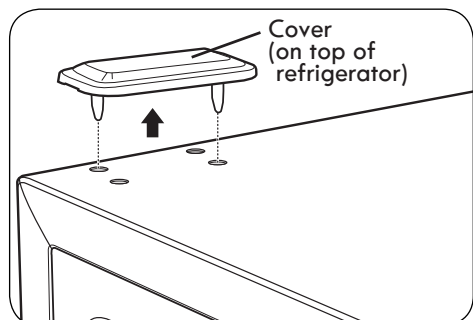


Reverse the Door Closer/Stop by flipping it over. Place it on top of the Hinge Pin Insert Bracket, and tighten both down with the screw.



Pry off the cover on the top left side of the refrigerator to uncover the screw holes.

Set the freezer door and top hinge parts to the side and remove the refrigerator door.

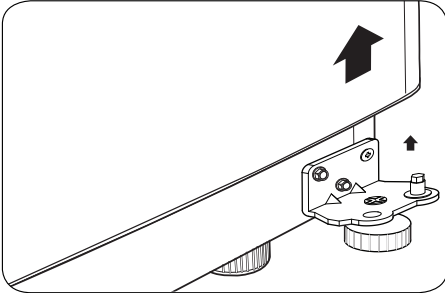
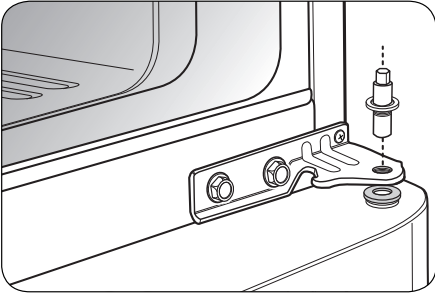


# REFRIGERATOR INSTALLATION

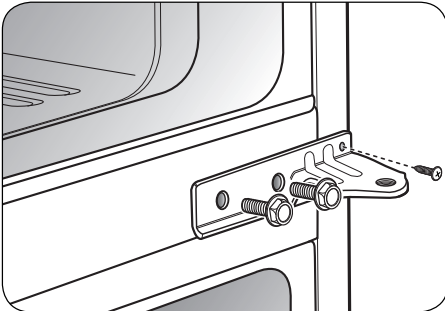
## 2. Reversing and Reinstalling Refrigerator Door

Using a 1/4" socket wrench, loosen and remove Hinge Pin from the Middle Hinge Bracket. Remove washer underneath the middle hinge and set aside.

**NOTE:** At this point the door will be loose. Slightly lift the door and remove it.

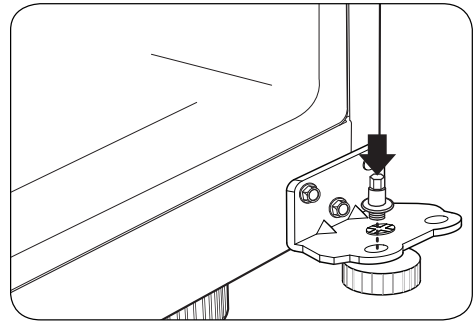
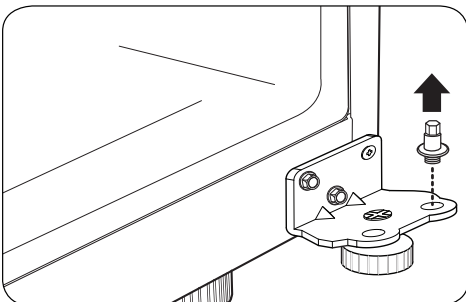


Loosen and remove the two bolts and use the Phillips head screwdriver to remove the Middle Hinge Bracket from the refrigerator housing. Set parts aside.

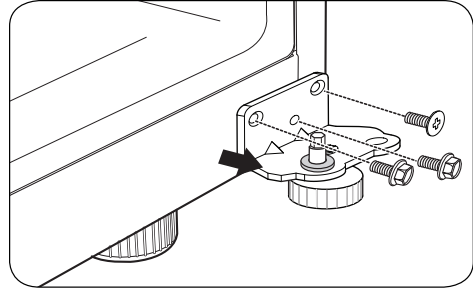


Remove the washer from the Bottom Hinge Pin. Using a 1/4" socket wrench, loosen and remove the Hinge Pin from the Bottom Hinge. Reattach the Hinge Pin to the opposite side of the hinge.

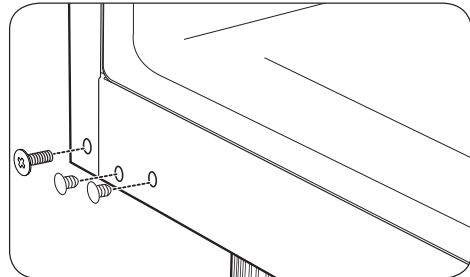
**NOTE:** This is easier to do while the hinge is still attached.



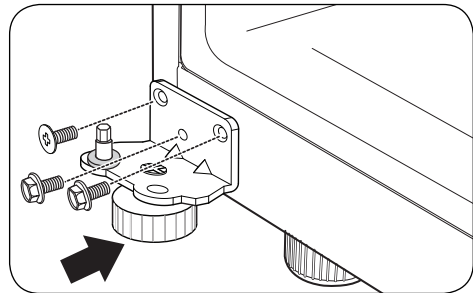
Using a 3/8" socket wrench with a 2-Inch extension and screwdriver, loosen the two bolts and one screw, and remove the Bottom Hinge from right side of the housing.



Remove the Decorative Caps on the bottom of the refrigerator housing. You will need these holes for the Bottom Hinge.



Move the Bottom Hinge to the left side of the housing, keeping the same orientation, and reattach with the two bolts and one screw. The flat screw must be placed on the exterior side of the hinge. Move the Decorative Bolt to the hole on the lower right side of the housing.

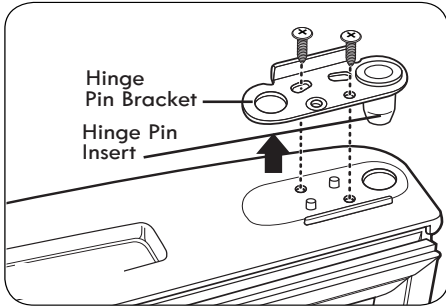


Turn the refrigerator door upside down on a nonscratching surface. Loosen the two screws

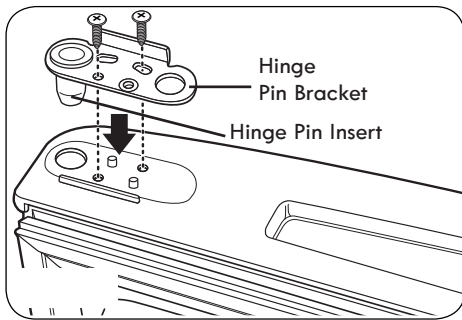
to remove the Bottom Hinge Pin Insert Bracket with the Hinge Pin Insert.



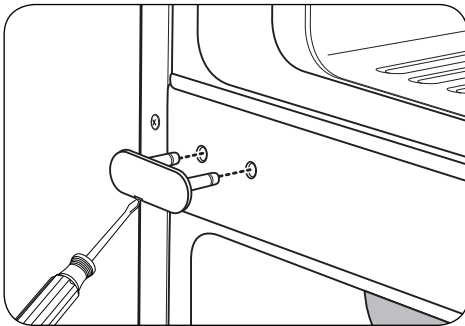
## REFRIGERATOR INSTALLATION



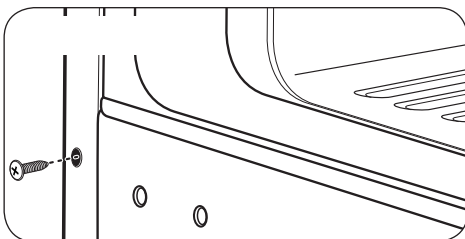
Take out the Hinge Pin Insert and move the Bracket to the other side of the door, keeping the same orientation. Place the Hinge Pin Insert into the left side of the bracket. Tighten the Hinge Pin Bracket to the door.



With a flat-head screwdriver, carefully pry off and remove the cover over the screw holes on the left side of refrigerator housing.

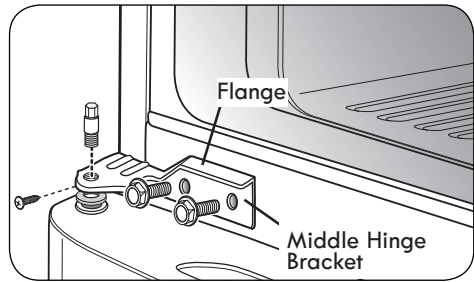


Remove the outer lower Decorative Screw from the housing at the area between the freezer and refrigerator doors. (You will need this hole for the Middle Hinge Bracket.)

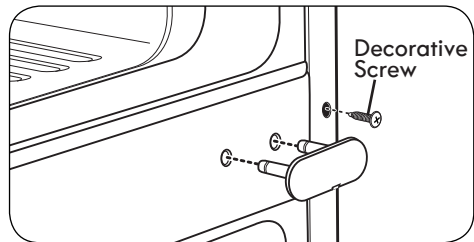


Flip the Middle Hinge Bracket, (flange will now be on top) position it on left side of the refrigerator and reattach with two bolts and a Phillips screwdriver. Place the refrigerator door down over the pin on the bottom hinge. Place the washer between the refrigerator door and middle hinge and re-attach Hinge Pin to Hinge Bracket with a 1/4" socket wrench.

NOTE: Bracket has been flipped, but Hinge Pin stays in the same orientation with its hexagonal end facing upward.

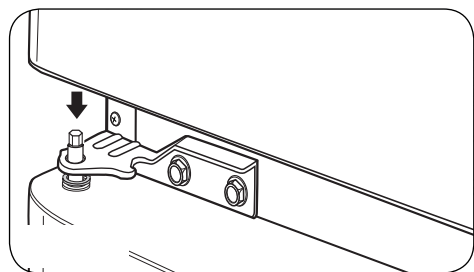


Insert the Decorative Screw into the outer hole on the right side of the housing. Attach cover on the right side. Cover is force-fitted.



### REATTACHING THE DOORS

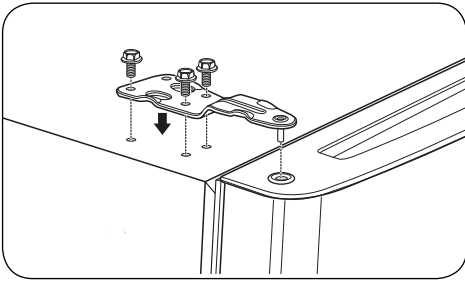
Place the freezer door down over the Hinge Pin on the Middle Hinge Pin Bracket.



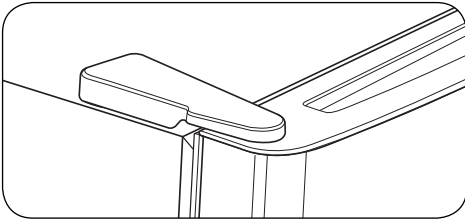
Place the Upper Hinge Pin on top of the freezer door and line up the Upper Hinge with holes on top of the refrigerator. Use the three bolts to replace the Hinge.



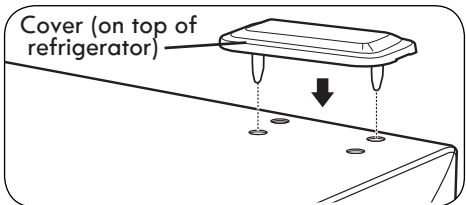
## REFRIGERATOR INSTALLATION



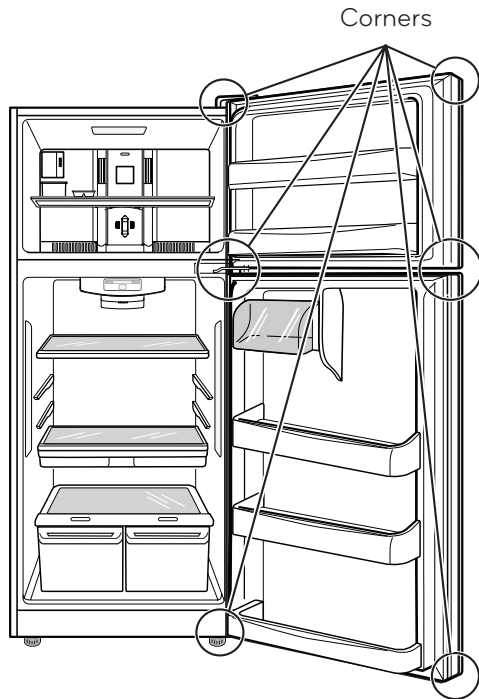
Tighten the bolts. Force-fit Top Hinge Cover over Top Hinge.



Replace cover on the top left side of the refrigerator to the right top to cover the holes. Cover is also force-fitted.



After changing doors, make sure that the corners of the Door Gaskets are not folded over. To ensure a good seal, apply a small amount of silicon grease on the corners of gaskets.



# REFRIGERATOR INSTALLATION

## CLOSING AND ALIGNING THE DOORS

To avoid vibration, the unit must be leveled. If necessary, adjust the Leveling Legs to compensate for unevenness of the floor. The front should be slightly higher than the rear to aid in door closing.

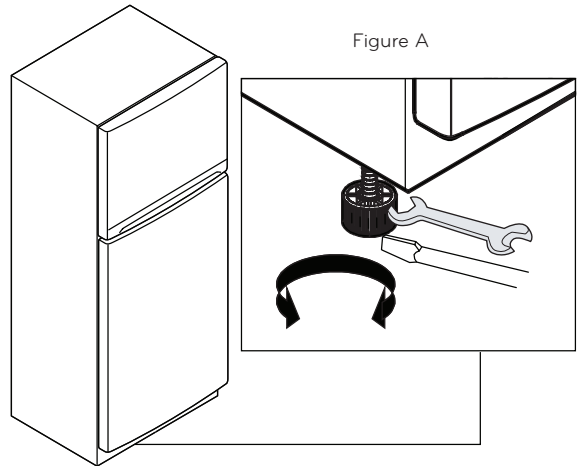
Your refrigerator has three front leveling screws, one on the right and one on the left. If your refrigerator seems unstable or if you would like the doors to close more easily, simply adjust the inclination of the refrigerator by following the instructions below:

**NOTE:** Third leveling screw is used for protection of hinge lower.

1. Plug the refrigerator into a 3 prong grounded outlet. Move the refrigerator into its final position.
2. Use a 11/16" (18 mm) wrench or an adjustable wrench to adjust the leveling screws (see Figure A), turning clockwise to raise the side of the refrigerator and counter-clockwise to lower it. It may take several turns to adjust it to the inclination you would like.

**NOTE:** Having someone push against the top of the refrigerator takes some weight off the leveling screws. This will make it easier to adjust the screws.

3. Open both doors again and check to make sure that they close easily. If not, tilt the refrigerator slightly more to the rear by turning both Leveling Screws clockwise. It may take several more turns, and you should turn both Leveling Screws the same times.



### Door Alignment

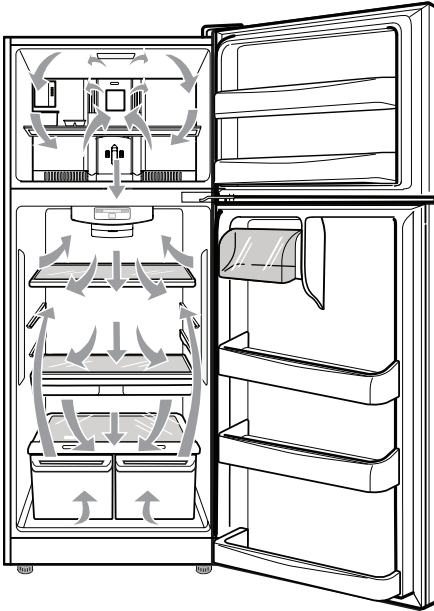
If the space between your doors is uneven, follow the instructions below to align the doors:

1. Gently pry off the Top Hinge Cover with a flat head screwdriver and remove.
2. Loosen the Top Hinge Bolts using a 10 mm or 13/32 inch socket wrench or open-end wrench.
3. Have someone hold the freezer door so the space between the two doors is even, and retighten the top hinge bolts.
4. Replace the Top Hinge Cover.

# REFRIGERATOR INSTALLATION

## ENSURING PROPER AIR CIRCULATION

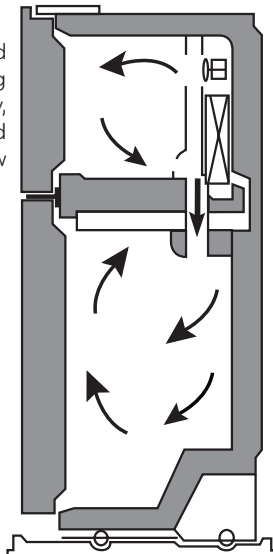
In order to obtain stable temperature, the air must flow between the freezer and refrigerator sections. As shown in the illustration below, the cold air enters through the bottom part and circulates upward. This air returns below the freezer floor and the rest of the air enters the refrigerator section through the top vent.



**Do not** block any of these vents with packages of food. This can interrupt the flow of air and cause temperature and moisture problems.

**IMPORTANT:** Because air circulates between both sections, any odors formed in one section will transfer to the other. You must thoroughly clean both sections to eliminate odors. To prevent odor transfer and drying out of food, make sure you wrap or cover foods tightly (See the **"Food Storage Guide"** section for details).

**NOTE:** If you close the fresh food compartment door applying more force than necessary, freezer door may get open and close again, due internal air flow of refrigerator.

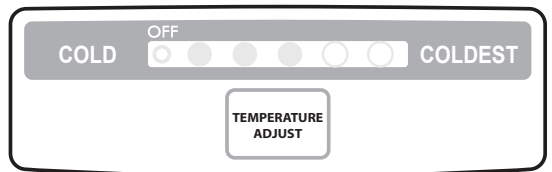


## ADJUSTING THE CONTROLS

Your refrigerator has two controls that allow you to regulate the temperature the freezer and refrigerator compartments.

### • Refrigerator Control

Initially set the Refrigerator Control on the middle setting (number 3). To do so, press the TEMPERATURE ADJUST button until it reaches the middle position (the third LED turns ON). Leave the refrigerator on this setting for 24 hours to reach the correct temperature. After 24 hours, adjust the compartment temperature as you desire. ALWAYS wait 24 hours before you adjust the temperature. If you want to set the refrigerator compartment temperature to a warmer temperature than the current, continue pressing the TEMPERATURE ADJUST button until it reaches the desired temperature.



### • Demo Mode (For Store Use Only)

Demo Mode disables all cooling in the refrigerator and freezer sections to conserve energy while on display in a retail store. When activated, OFF will display on the control panel.

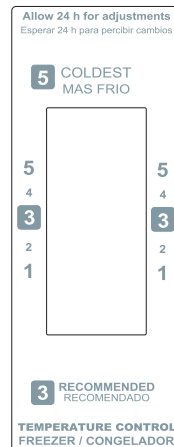
### To deactivate:

Press the TEMPERATURE ADJUST button until your desired temperature setting is reached. The OFF light will turn off once the Demo Mode is deactivated.

### • Freezer Control

The freezer control should come from factory on the middle setting (number 3). Wait 24 hours before adjusting the freezer compartment temperature. Roll the knob to set the freezer temperature as you desire. ALWAYS wait 24 hours after any adjustment to reach the desired temperature.

**NOTE:** Setting at higher number of the Freezer compartment, the temperature of freezer compartment becomes colder.



## USING YOUR REFRIGERATOR

### ADJUSTING CONTROL SETTINGS

Give the refrigerator time to cool down completely before adding food. It is best to wait 24 hours before adding food to the refrigerator. The mid-settings indicated in the previous section should be correct for normal household refrigerator usage. The controls are set correctly when milk or juice is cold to your liking and ice cream is firm.

The refrigerator control functions as the thermostat for the entire appliance. The higher the number setting, the longer the compressor will run to keep the temperature colder. The freezer control adjusts the cold air flow from the freezer to the refrigerator. Setting the freezer control to a lower temperature keeps more cold air in the freezer compartment to make it colder.

If you need to adjust the temperature in the refrigerator or freezer, begin by adjusting the refrigerator first. Wait 24 hours after the refrigerator adjustment to check the freezer temperature. If it is too warm or too cold, then adjust the freezer control as well.

Use the settings listed in the table below as a guide.

CONDITION/REASON:	RECOMMENDED ADJUSTMENT:
<b>REFRIGERATOR section is too warm</b> <ul style="list-style-type: none"> <li>Opening the door often</li> <li>Adding a large amount of food</li> <li>Room temperature is very warm</li> </ul>	<b>Adjust the REFRIGERATOR setting to the next highest number and wait 24 hours, then check.</b>
<b>FREEZER section is too warm/ ice is made too slowly</b> <ul style="list-style-type: none"> <li>Opening the door often</li> <li>Adding a large amount of food</li> <li>Room temperature is very low (not cycling often enough)</li> <li>Using ice frequently</li> <li>Air vents blocked by objects</li> </ul>	<b>Adjust the FREEZER setting to the next highest number and wait 24 hours, then check.</b>  <b>Remove any objects blocking air flow.</b>
<b>REFRIGERATOR section is too cold</b> <ul style="list-style-type: none"> <li>Controls not set correctly for your conditions</li> </ul>	<b>Adjust the REFRIGERATOR setting to the next lowest number and wait 24 hours, then check.</b>
<b>FREEZER section is too cold</b> <ul style="list-style-type: none"> <li>Controls not set correctly for your conditions</li> </ul>	<b>Adjust the FREEZER setting to the next lowest number and wait 24 hours, then check.</b>

### FOOD STORAGE GUIDE

ITEMS	HOW TO STORE
<b>Storing Fresh Food</b>	Wrap or store food in the refrigerator in airtight and moisture-proof material unless otherwise noted. This prevents food odor and taste transfer throughout the refrigerator. For dated products, check date code to ensure freshness.
<b>Butter or margarine</b>	Store opened butter in a covered dish or in a closed compartment. When storing a larger quantity, wrap in freezer packing and freeze.
<b>Cheese</b>	Store in original packaging until you are ready to use it. Once opened, tightly rewrap with plastic wrap or aluminum foil.
<b>Vegetables with skins (carrots, peppers)</b>	Place in bags or plastic containers inside the crisper.
<b>Fruit</b>	Wash and let dry; store in plastic bags in the refrigerator. Do not wash or pit berries until you are ready to eat them. Berries should be selected and kept in their original packaging (if there is any) or in a paper bag closed halfway and set on a shelf.
<b>Leafy Vegetables</b>	Remove original packaging and trim any dirty or discolored parts. Wash in cold water and drain. Place in a plastic bag or plastic container and store in the crisper.
<b>Fish</b>	Consume fish or seafood the same day purchased.
<b>Chef Fresh</b>	Store any meat in original airtight, moisture-proof packaging. Rewrap if necessary.
<b>Leftovers</b>	Cover leftovers with plastic wrap or aluminum foil. Plastic containers with airtight lids can also be used.

## USING YOUR REFRIGERATOR

### Packaging Recommendations:

- Use sealed plastic containers.
- Use plastic containers with a smooth surface.
- Package with aluminum foil of high resistance.
- Wrap with paper layered with plastic.
- Use water proof plastic.
- Use recommended plastic bags to store frozen foods.

Follow these packaging or container instructions in order to reach the best freezing

### Do not use:

- Bread Wrapping.
- Plastic container not safe for storing.
- Containers without lids or seals.
- Waxed paper or waxed plastic.
- Thin wrapping paper or not water proof.

### Freezing

**IMPORTANT:** Do not keep bottles in the freezer compartment, they may explode after freezing and cause damage.

For the maximum use of your freezer do not store excess food. Do not introduce a large amount of unfrozen foods that cannot be frozen within 24 hours (no more than 2 – 3 pounds or ,91 kg - 1,36 kg of food per square inch of space in the freezer). Sufficient space must be left in order for the air to circulate properly around the packages. Leave enough space in order to close your refrigerator with out difficulty.

Storage times can vary depending on the type and quality of the food, the way its package, or packaging container used, (in comparison to air and humidity), and the temperature it being stored in. Ice crystals formed inside your package are normal it indicates the air and humidity inside your package have condensed.

**NOTE:** Let warm foods cool off at room temperature for approximately 30 min, then wrap accordingly with the methods mention above and freeze. By letting your warm foods cool off before you introduce them to your freezer it will save you energy.

### WARNING

#### SUFFOCATING DANGER

Adequate ventilation is required when using dry ice. Dry ice is Carbon Dioxide (CO<sub>2</sub>). When it evaporates it produces oxygen, causing dizziness, slight headaches, unconsciousness or death. Do not inhale these vapors and properly ventilate the room while in use of dry ice.

# USING YOUR REFRIGERATOR

## REFRIGERATOR SHELVES

The glass shelves in your refrigerator are adjustable to meet your individual storage needs.

Adjusting the shelves to fit different heights of items will make finding the exact item you want easier. Doing so will also reduce the amount of time the refrigerator door is open which will save energy.

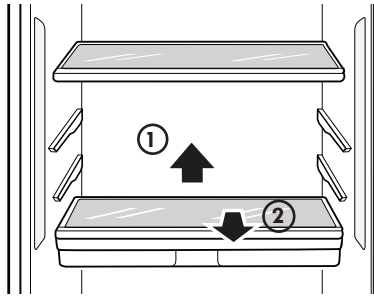
**IMPORTANT:** Do not clean glass shelves with warm water while they are cold. Shelves may break if exposed to sudden temperature changes or impact.

**NOTE:** Glass shelves are heavy. Use special care when removing them.

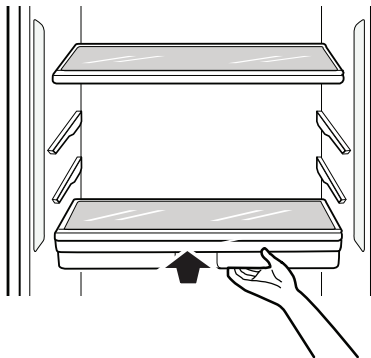
### Adjusting Shelves

Remove shelves from the shipping position and replace shelves in the position you want.

To remove a shelf—Tilt up the back of the shelf in the direction of 1 and lift it in the direction of 2. Pull the shelf out.

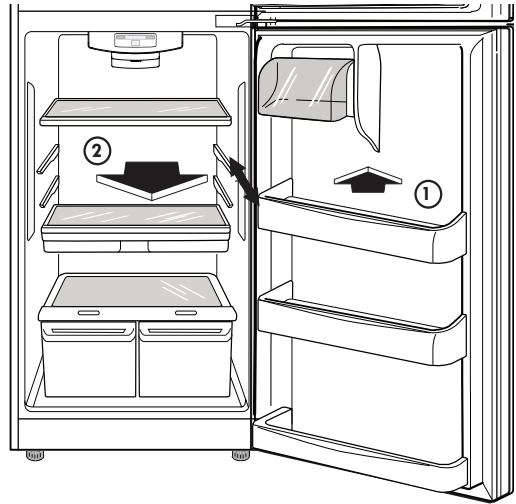


To reinstall a shelf—Slide the shelf into the guides until it stops.

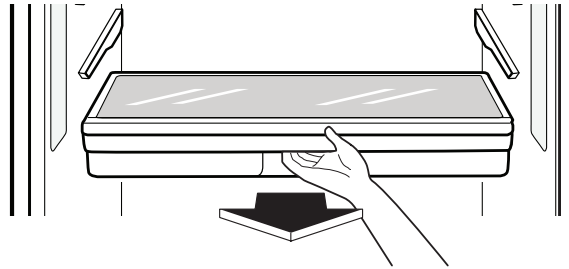


## PANTRY DRAWER (on some models)

To remove the Pantry Drawer:



Grasp the drawer handle and pull it forward to the drawer stop. Lift up and pull out.



### To replace the Pantry Drawer:

Slide the drawer back all the way past the drawer stop.

### Ice Tray (On some models)

- Pour potable water to the level indicated in the picture. Do not overfill with water or ice cubes will be difficult to remove
- For quick freeze, adjust the freezer dial to 3.

### Twist the ice tray to remove the ice cubes

- Do not bend the ice tray. Doing so may result in damage to the tray.
- To remove ice cubes easily, pour water on the back of the tray or soak it in water before removing ice cubes.



# USING YOUR REFRIGERATOR

## HUMIDITY CONTROLLED CRISPERS

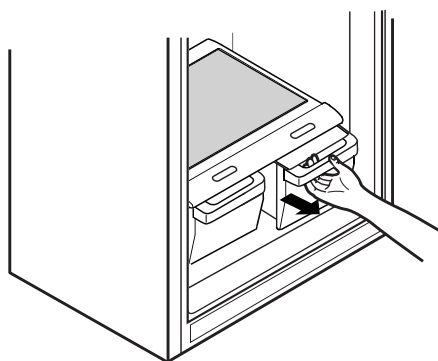
The crispers provide fresher tasting fruit and vegetables by letting you easily control humidity inside the drawer.

You can control the amount of humidity in the moisturesealed crispers by adjusting the control to any setting between **VEGETABLES** and **FRUIT**.

- **VEGETABLES** keeps moist air in the crisper for best storage of fresh, leafy vegetables.
- **FRUIT** lets moist air out of the crisper for best storage of fruit.

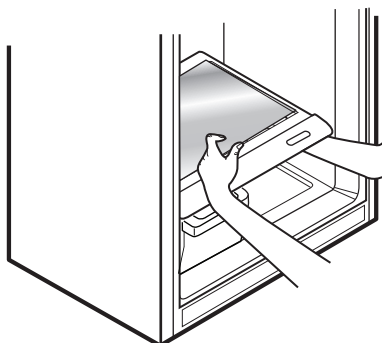
### To remove and install the crisper drawers:

1. Pull the crisper drawer out to the drawer stop.
2. Lift the front of the crisper up, then pull it straight out.
3. To install, slightly tilt up the front, insert the drawer into the frame and push it back into place, past the drawer stop.



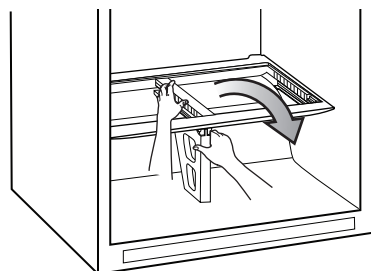
### To remove the crisper glass:

1. Remove the crisper drawers (as described above).
2. Reach in under the glass and lift up.
3. Gently push the glass up and out.



### To remove the crisper cover:

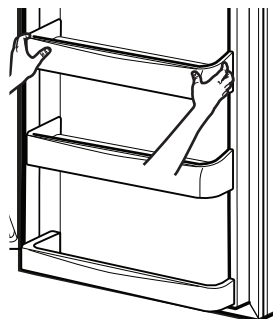
1. Remove both crisper drawers.
2. Remove the crisper glass.
3. While holding the support and crisper cover, pull up and out.



## DOOR BINS

The door bins are removable for easy cleaning and adjustment.

1. To remove the bin, simply lift the bin up and pull straight out.

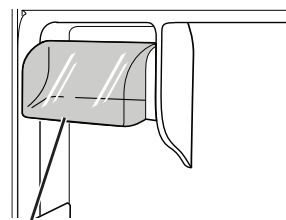


2. To replace the bin, slide it in above the desired support and push down until it snaps into place.

NOTE: Some bins may vary in appearance and will only fit in one location.

## DAIRY BIN

1. To remove the Dairy Bin, simply lift up and pull out.
2. To replace the Dairy Bin, slide it in above the desired support slots and push down until it stops.



## REFRIGERATOR CARE AND CLEANING

### **⚠ WARNING**

#### **EXPLOSION HAZARD**



Do not use flammable cleaners. Not following these instructions can cause death, explosion or fire.

The refrigerator, as well as the freezer, do their own de-freezing. This process does not prevent the build up of contaminants, therefore it is suggested that you clean both parts once a month; clean spilled liquids immediately.

### **REFRIGERATOR CLEANING**

- Unplug your refrigerator.
- Pull out all of the removable parts (such as the vegetable and dairy doors).
- Use a clean sponge (or a soft rag) and use it with lukewarm water mixed with detergent. Do not use abrasive or concentrated cleaners.
- Hand wash it, and dry it thoroughly.
- Plug the refrigerator back in.

### **OUTSIDE**

Wax the outside in order to create better protection. Make sure you use a product specifically design to be used for electro-domestic products (car wax is acceptable). Use a clean, soft rag, and perform this task twice a year. For metal-made refrigerators, do not wax, simply clean it with water and detergent. Do not use concentrated or abrasive products.

In case of STS, apply cleaner in same direction that hair line of STS.

**NOTE:** Avoid the usage of chemical products that contain phosphates or bleach.

### **INSIDE (Allow freezer to slightly warm up a small degree to prevent cloth from sticking)**

In order to eliminate bad odors, clean the inside of the refrigerator with a mixture of baking powder and lukewarm water (one teaspoon of baking powder per cup of water). Ensure that the powder dissolves thoroughly, in order to prevent any sort of damage.

### **DOOR LINING AND GASKETS**

Use only a mild detergent (such as dish soap).

### **PLASTIC PARTS (Covers and Panels)**

Do not use abrasive, paper or rough products. These could damage the product.

### **BACK COVER**

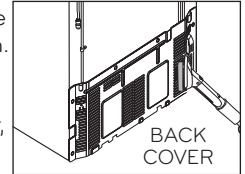
#### **⚠ WARNING**

#### **ELECTRICAL SHOCK HAZARD**

Before you begin, either unplug the refrigerator or turn off power at the circuit breaker or fuse box.

**NOTE:** Back Cover should only be removed by a qualified technician.

In order to get an efficient performance of your refrigerator, clean the back cover of it at least twice a year.



### **REPLACING REFRIGERATOR LIGHTS**

The refrigerator and freezer compartment lights are LED interior lighting, and service should be performed by a qualified technician.

#### **⚠ WARNING**

#### **ELECTRIC SHOCK HAZARD**

Before replacing a burned-out light bulb, either unplug the refrigerator or turn off power at the circuit breaker or fuse box.



# REFRIGERATOR CARE AND CLEANING

## POWER INTERRUPTIONS

1. In case of a black out, call your electric company and ask how long it will last.
2. In case of a 24 hour or less black out, do not open the refrigerator; this will keep the food fresh.
3. In case of a longer black out, do one of the following options:
  - Pull out all of the frozen food and keep them in an ice chest.
  - Put 2 lbs (907 g) of frozen ice (make sure you use gloves) for each square foot (28 L) inside the freezer. This task will preserve the food from 2 to 4 days.
  - In case you do not possess neither ice chest or dry ice, consume your food as soon as possible.

**REMEMBER:** In a power failure, a full freezer stays cold longer than a partially filled one. A freezer full of meat stays cold longer than a freezer full of baked goods. If you see that food contains ice crystals, it may be safely refrozen, although the quality and flavor may be affected. If the condition of the food is poor or if you feel it unsafe, dispose of it.

## WHEN GOING ON VACATION

If you decide to leave your refrigerator on when going away, consider these steps:

1. Consume all of the perishable items and freeze the rest.
2. Empty the ice bin.

If you decide to leave your refrigerator off:

1. Remove all of the food.
2. Unplug your refrigerator.
3. Clean and dry it well.
4. Make sure the doors stay open (use blocks or tape) in order to prevent bad odors and fungi from happening.

## WHEN MOVING

If you decide to take your refrigerator with you when moving, consider the following:

1. Remove all of the food from it, and place the frozen food in an ice chest with dry ice.
2. Unplug your refrigerator.
3. Empty the water from its tray.
4. Clean and dry it with a rag.
5. Pull out all of the removable parts, and wrap them with adhesive tape.
6. Depending on the model of the refrigerator, lift the top part of the refrigerator so it can roll with ease, or screw the levelers so it won't scratch the floor. Consult to the section **"Closing and Aligning Doors"**.
7. Keep the doors closed with the cable glued to the refrigerator cabinet with an adhesive tape.

When your refrigerator arrives to your home, put everything back into place and read the section **"Refrigerator Installation"** in order to obtain installation preparation. In case your refrigerator has a factory ice maker, remember you have to reconnect the water supply.

## ABOUT THE AUTOMATIC ICE MAKER

**NOTE:** The automatic Ice maker is only included in some models. Check your specifications of your refrigerator.

### **⚠ WARNING**

#### **PERSONAL INJURY HAZARD**

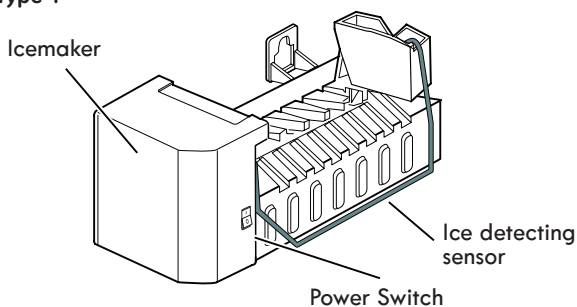
Avoid contact with any moving parts of the ejector mechanism or with the heater that releases the ice cubes. **DO NOT** place your fingers in the automatic ice maker when the refrigerator is plugged in.

### **OPERATING INSTRUCTIONS**

After turning on your refrigerator, the ice will start to be made between 12 and 24 hours.

#### **Identify your ice maker type.**

##### **Type 1**



The ice maker produces 8 cubes per cycle (between 60 and 95 cubes in a 24 hour period), depending on the temperature of the freezer, the times in which the door opens, and other using conditions (amount of food in the freezer, etc).

If the refrigerator is used before the connection of water to the ice maker was performed, you must turn its dial to **O** (off).

When the water connections are performed, turn its dial to **I** (on).

The ice maker will fill up (and start making ice) between 12 and 24 hours after the refrigerator is turned on.

Throw away the first batch of ice. Make sure that nothing interferes with the sensor.

When the ice reaches the sensor, the ice maker will stop to make ice immediately.

It's normal that some ice gets stuck. If the ice is not used frequently, the older cubes of ice will be opaque in color, smaller, and with a strange flavor.

### **YOU MUST TURN THE SWITCH TO O (OFF)**

- When the water supply is interrupted for many hours.
- When the ice container is left out of its place for more than one or two minutes.
- When the refrigerator will not be in use for various days.

### **NORMAL SOUNDS**

- The valve will emit a buzzing sound when the ice maker is full of water. If the switch is placed in the off position the buzz will still be heard even when the water pipe has not been connected. To avoid this sound, move switch to **O** (off) position.

**NOTE:** The ice maker can get damaged if the switch is kept in the ON position before the water pipe has been connected.

- While the ice maker is filling up with water and producing ice, you will hear the sound of the ice falling and water flowing through the pipes.

### **PREPARING FOR VACATIONS**

Move the ice maker switch to the **O** (off) position and cut the flow of water going into the refrigerator.

If room temperature is at freezing point, have a specialized technician drain the flow of water from the inner pipes (certain models) to avoid broken pipe related damage.

## CONNECTING THE WATER LINE

**NOTE:** It is necessary to have a water source when both water and/or ice dispensers are available in your product.

### BEFORE START

The water source is not guaranteed by the refrigerator manufacturer. Follow instructions carefully in order to reduce damage.

Air located inside the water pipes can cause hammering or tapping causing damage to the inner pipes or water spillage in the inside of the refrigerator. Call a qualified plumber to fix such hammering on the connections before installing the water pipe.

To avoid burn damage or such, never connect refrigerator to hot water pipes.

If you are to use the refrigerator before connecting it to the water source, make sure the ice maker is the off position.

Never attempt to install the ice maker pipes in areas where room temperature is below freezing point.

When using any electrical device (like a drill) during the installation, make sure device is doubly isolated or making ground to prevent risk of electrical surge or discharge.

All installations should be done considering local water and drainage requirements.

- If an inverted osmosis water filtration system is connected to the cold water source, the water hose installation is not assured or guaranteed by the refrigerator or automated ice maker manufacturer. Follow the next instructions carefully to minimize costly water related damages.
- When having an inverted osmosis water filtration system connected to the cold-water flow, the water pressure for such system must be at least between 40-60 PSI or 0,27 MPa (2,8 kg · f / cm<sup>2</sup> ~ 4,2 kg · f / cm<sup>2</sup>, (2,8 kg · f / cm<sup>2</sup> ~ 4,2 kg · f / cm<sup>2</sup>, less than 2 ~ 3 seconds to fill a 7 oz of capacity cup [0,2 liters]).
- If the inverted osmosis water filtration system pressure is less than 21 PSI or 0,14 MPa (1,5 kg · f / cm<sup>2</sup>, more than four (4) seconds to fill a 7 oz of capacity cup [0,2 liters]):

- a) Identify if the sediments filter in the inverted osmosis system is being blocked. Replace filter if necessary.
- b) Allow inverted osmosis system storage tank to refill after extensive usage.
- c) Call a qualified plumber if the inverted osmosis water pressure problem continues.

### REQUIREMENTS

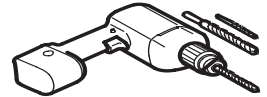
- **1/4" (6,35 mm) in diameter copper pipe** to connect refrigerator to the water pipe. Make sure both terminals are cut in a squared manner.



To determine how much pipe material is needed, measures the distances between the valves located

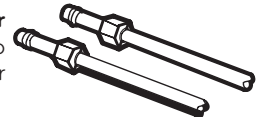
behind the refrigerator and the source of water and add to that 8 feet (2,4 m). Make sure there is sufficient pipe material to allow the free movement of the refrigerator from the wall

- **A cold water source.** Water pressure should be between 0,138 and 0,82 MPa or 20 and 120 PSI for models not containing water filter and between 0,276 and 0,82 MPa or 40 and 120 PSI for models containing water filter.

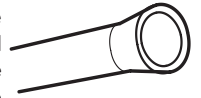


- **A drill.**
- **Adjustable 1/2" (12,7 mm) key.**
- **Flat and Phillips style (star) screwdriver.**

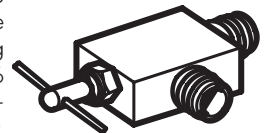
- **Two 1/4" (6,35 mm) diameter compression nuts** with two sides to connect the copper pipe to the refrigerator valve.



If your current copper pipe has some reduction on the ends, it will be necessary to get an adaptor (found in hardware stores) to connect the water line to the refrigerator. It is also possible to cut such reductions with a pipe cutter and use the compression connections mentioned above.



- **Bypass valve** to connect to the cold water line. The valve must have a water opening with an interior 5/32" (3,46 mm) diameter in the cold-water connection point. These valves can be located in any cold-water connection package. Before buying make sure such valve meets local standards and requirements.



### INSTALLATION INSTRUCTIONS

Install the valve to the pipe that you use to drink water.

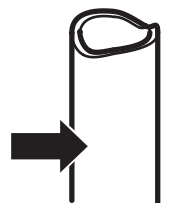
**⚠ CAUTION:** Connect to potable water supply only.

#### 1. CLOSE THE MAIN WATER SOURCE

Open the nearest water faucet to let water flow and empty pipes.

#### 2. SELECT THE LOCATION OF THE VALVE

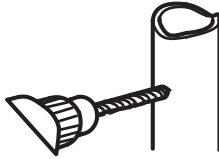
Select the location of the valve that will provide a better access. It is best to connect to a vertical pipeline. When connecting to a horizontal pipeline is necessary, make the connection in the lateral or upper area instead of the lower area to prevent accumulation of sediment.



## CONNECTING THE WATER LINE

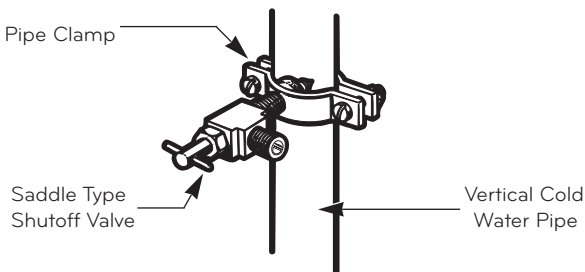
### 3. DRILL A HOLE FOR THE VALVE

Drill a 1/4" (6,35 mm) diameter hole in the water pipeline. Remove jagged edges produced after perforation. Make sure water does not reach the drill. Not performing the 1/4" (6,35 mm) perforation can lead to a low or smaller ice production.



### 4. TIGHTEN THE VALVE

Tight the valve into the cold water pipeline with a tube trap.

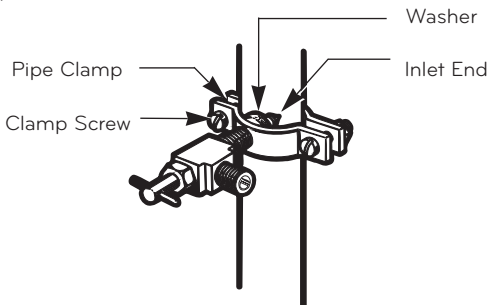


**NOTE:** Codes for 248 CMR pipelines of the state of Massachusetts must be attached to the connection. Valves of this type are banned in Massachusetts. Call an authorized plumber by the norms and regulations of your country.

### 5. TIGHTEN THE TRAP

Tighten the trap until the sealing ring begins to grow.

**NOTE:** Make sure it is not too tight, this can break the pipe.



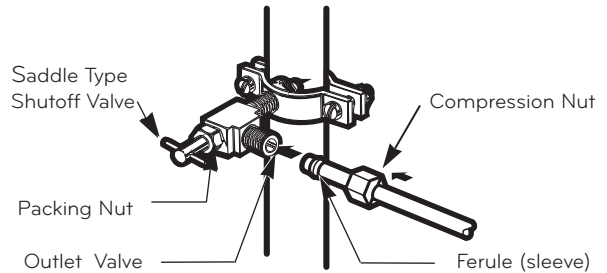
### 6. PLACE THE PIPELINE

Place the pipeline between the cold water pipe and the refrigerator. Place it through a hole in the wall or floor (behind the refrigerator or next to the cabinet) as close to the wall as possible.

**NOTE:** Make sure there is a sufficient amount of extra pipeline (8 feet [244 mm] coiled up three times with a 10" [25 cm] in diameter) to allow free movement of the refrigerator from the wall after installation was made.

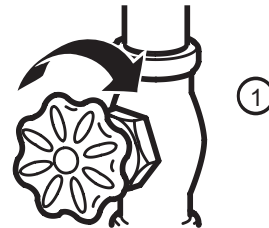
### 7. CONNECT PIPELINE TO VALVE

Place the compression nut and the copper pipe ferule at the end of the pipe and connect to the valve. Make sure the pipe is completely inserted into the valve. Tighten nut carefully.

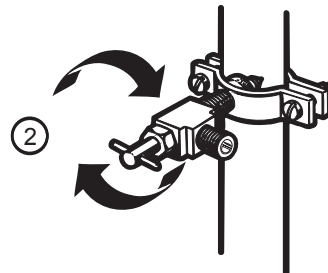


### 8. DRAIN THE PIPE

Open the main water source (1) and drain the pipe until water comes out clear.



Allow water flow from the bypass valve (2) and close after draining 1/4 of a gallon (1L) of water.



### 9. CONNECT PIPE TO REFRIGERATOR

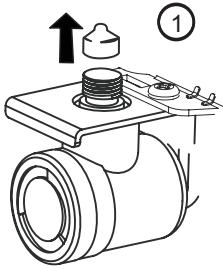
#### NOTES:

- Before making connection to refrigerator, make sure it is not connected to any energy source. If your refrigerator does not have a water filter, it is advised to install one.
- If your water source contains sand or related particles that can travel to the valve, install a water filter near the refrigerator.

**IMPORTANT:** Never use old or used hoses. Always use new ones to have a better use and experience. Connect always to a potable water source to avoid security and health issues.

## CONNECTING THE WATER LINE

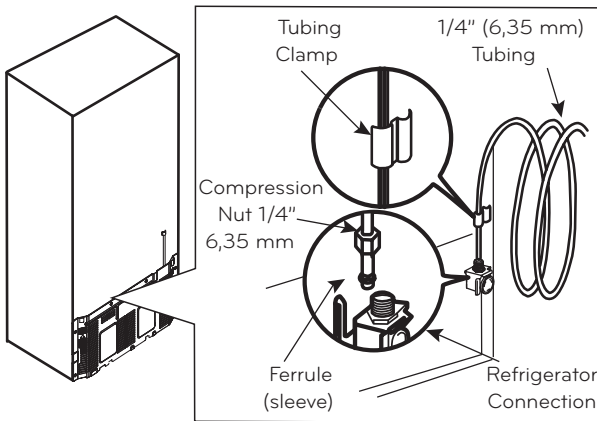
- Remove the ring plug (1) from the valve located at the top of such device.



### 12. TURN ICE MAKER ON

Turn ice maker switch into the **ON** position. Ice maker will start only after reaching its operating temperature of 15 °F (-9 °C) or less. It will automatically begin the ice production if switch is located in the **ON** position.

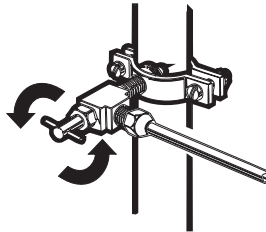
- Place compression nut and the ferrule at the end of the pipeline. Insert pipeline into the connection valve as far as possible. Hold tightly while holding pipeline.



Hold on to the pipe from the handles or grabbers located behind the refrigerator, loosening first the bolt holding the handle. Afterwards, insert pipe into the hole and tighten bolt to finalize.

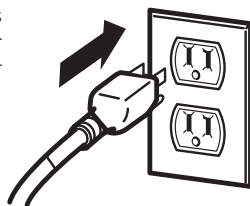
### 10. OPEN THE BYPASS VALVE

Tighten all connections containing leaks. Place access cover back on compressor.



### 11. CONNECT TO REFRIGERATOR

Fix pipeline in a way that it does not vibrate on the refrigerator or wall. Push refrigerator against wall.



# TROUBLESHOOTING GUIDE

## UNDERSTANDING SOUNDS YOU MAY HEAR

Your new refrigerator may make sounds that your old one did not make. Most of the new sounds are normal. Hard surfaces, like the floor, walls and cabinets, can make the sounds seem louder than they actually are. The following describes the kinds of sounds you may hear and what may be causing them..

### Clicking:

The defrost control will click when the automatic defrost cycle begins and ends. The thermostat control (or refrigerator control, depending on the model) will also click when cycling on and off.

### Rattling:

Rattling noises may come from the flow of refrigerant, the water line, or items stored on top of the refrigerator.

### Whooshing:

- Evaporator fan motor circulating the air through the refrigerator and freezer compartments.
- Air being forced over the condenser by the condenser fan.
- Ice compartment fan in the freezer on the left side of the refrigerator when the doors are open.

### Gurgling:

As each cycle ends, you may hear a gurgling sound caused by the refrigerant flowing through the cooling system.

### Popping:

Contraction and expansion of the inside walls.

### Sizzling:

Water dripping on the defrost heater during a defrost cycle.

### Vibrating Noise:

If the side or back of the refrigerator is touching a cabinet or wall, some of the normal vibrations may make an audible sound. To eliminate the noise, make sure that the sides and back cannot vibrate against any wall or cabinet.

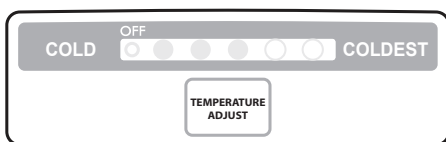
### Dripping:

Water running into the drain pan during the defrost cycle.

### Pulsating or High-Pitched Sound:

Your refrigerator is designed to run more efficiently to keep your food items at the desired temperature. The high efficiency compressor may cause your new refrigerator to run longer than your old one, but is still more energy efficient than previous models. While the refrigerator is running, it is normal to hear a pulsating or high-pitched sound.

Proble	Possible Causes	Solutions
<b>Refrigerator is not cooling.</b>	The power supply cord is unplugged.	Firmly plug the cord into a live outlet with proper voltage (see Electrical & Grounding Requirements).
	A household fuse has blown or a circuit breaker has tripped.	Replace the fuse or reset the circuit breaker. If the problem persists, contact an electrician.
	The refrigerator control is set to the OFF position.	Refer to the Setting the Controls section.
	The refrigerator is in the defrost cycle.	Wait about 30 minutes for defrost cycle to end.
	The OFF light is illuminated.	The refrigerator is in DEMO mode. The Demo Mode disables the cooling system and only the lamps and display will work normally. To disable Demo Mode, press the TEMPERATURE ADJUST button until you set the desire temperature level. When demo mode is deactivated, the OFF light will turn off.



## TROUBLESHOOTING GUIDE

Problem	Possible Causes	Solutions
<b>Lights do not work</b>	The power supply cord is unplugged.	Firmly plug the cord into a live outlet with proper voltage (refer to Electrical & Grounding Requirements).
	An LED light has malfunctioned.	Before proceeding to replace LED, unplug the refrigerator or turn off power at the circuit breaker or fuse box.  <b>NOTE:</b> The refrigerator and freezer compartment lamps are LED interior lighting, and service should only be performed by a qualified technician.
<b>Vibration or rattling noise.</b>	The refrigerator is not resting solidly on the floor.	Floor is weak or uneven or leveling legs need adjusting. See the Installation section for leveling instructions.
<b>Compressor seems to run too much.</b>	The refrigerator that was replaced was an older model.	Modern refrigerators require more operating time but use less energy due to more efficient technology.
	The room temperature is warmer than normal.	The compressor will run longer under warm conditions. At normal room temperatures (70°F) expect your compressor to run about 40% to 80% of the time. Under warmer conditions, expect it to run even more often. The refrigerator should not be operated in surrounding temperatures above 110°F.
	The door is opened often or a large amount of food has just been added.	Adding food and opening the door warms the refrigerator, requiring the compressor to run longer in order to cool the refrigerator back down. In order to conserve energy, try to get everything you need out of the refrigerator at once, keep food organized so it is easy to find, and close the door as soon as the food is removed. (Refer to the Food Storage Guide.)
	The refrigerator was recently plugged in and the refrigerator control was set correctly.	The refrigerator will take up to 24 hours to cool completely
	The refrigerator control is not set correctly for the surrounding conditions.	See the Adjusting Control Settings section.
	The doors are not closed completely.	Firmly push the doors shut. If they will not shut all the way, see "Doors will not close completely" in the Troubleshooting section.
	The back cover is dirty.	This prevents air transfer and makes the motor work harder. Clean the back cover. Refer to the Care and Cleaning section.

## TROUBLESHOOTING GUIDE

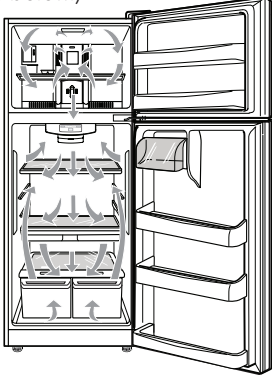
Problem	Possible Causes	Solutions
<b>Doors will not close completely.</b>	The refrigerator is not level.	See the Leveling and Door Alignment section.
	Food packages are blocking the door open.	Rearrange food containers to clear door and door shelves.
	The ice bin, crisper cover, pans, shelves, door bins or baskets are out of position.	Push bins all the way in and put crisper cover, pans, shelves and baskets into their correct positions. See the Using Your Refrigerator section for more information.
	The gaskets are sticking.	Clean gaskets and the surfaces that they touch. Rub a thin coat of appliance polish or kitchen wax on the gaskets after cleaning.
	The refrigerator wobbles or seems unstable.	Level the refrigerator. Refer to the Leveling and Door Alignment for more information.
	The doors were removed during product installation and not properly replaced.	Remove and replace the doors according to the Removing and Replacing Refrigerator Handles and Doors section, or call a qualified technician.
<b>Frost or ice crystals on frozen food.</b>	The door is not closing properly.	See "Doors will not close completely" in the Troubleshooting section.
	The door is opened often.	When the door is opened, warm, humid air is allowed in the freezer, resulting in frost.
<b>Ice has bad taste or odor.</b>	The icemaker was recently installed.	Discard the first few batches of ice to avoid discolored or bad tasting ice.
	The ice has been stored for too long.	Throw away old ice and make a new supply.
	The food has not been wrapped tightly in either compartment.	Rewrap foods since odors may migrate to the ice if food is not wrapped properly.
	The water supply contains minerals such as sulfur.	A water filter may need to be installed to eliminate taste and odor problems.
	The interior of the refrigerator needs cleaning.	See Care and Cleaning section for more information.
	The ice storage bin needs cleaning.	Empty and wash bin. Discard old cubes.
<b>There is water in the defrost drain pan.</b>	The refrigerator is defrosting.	The water will evaporate. It is normal for water to drip into the defrost pan.
	It is more humid than normal.	Expect that the water in the defrost pan will take longer to evaporate. This is normal when it is hot or humid.



## TROUBLESHOOTING GUIDE

Problem	Possible Causes	Solutions
<b>The refrigerator seems to make too much noise.</b>	The sounds may be normal for your refrigerator.	Refer to the Understanding Sounds You May Hear section for more information.
<b>The icemaker is not producing ice or not enough ice.</b>	New installation.	Wait 12 to 24 hours after icemaker installation for ice production to begin. Wait 72 hours for full ice production.
	The refrigerator is not connected to a water supply or the supply shutoff valve is not turned on.	Connect refrigerator to the water supply and turn water shutoff valve fully open.
	Reverse osmosis water filtration system is connected to your cold water supply.	Reverse osmosis filtration systems can reduce the water pressure below the minimum amount and result in icemaker issues. (Refer to Water Pressure section.)
	Kink in the water source line.	A kink in the line can reduce water flow. Straighten the water source line.
	Ice demand has exceeded storage capacity.	The icemaker will produce approximately 95 cubes in a 24 hour period. NOTE: An extra ice bucket is provided in the freezer section for additional storage capacity.
	The icemaker is not turned on.	Locate the icemaker ON/OFF switch and confirm it is in the ON (I) position.
	There is something on the ice-detecting sensor.	Foreign substances or frost on the icedetecting sensor can interrupt ice production. Make sure the sensor area is clean at all times for proper operation.
	The temperature setting for the freezer is too warm.	The recommended temperature for the freezer compartment for normal ice production is 0°F. If the freezer temperature is warmer, ice production will be affected.
	The doors are opened often.	If the doors of the unit are opened often, ambient air will warm the refrigerator which will prevent the unit from maintaining the set temperature. Lowering the refrigerator temperature can help, as well as not opening the doors as frequently.
The doors are not closing properly.	If the doors are not properly closed, ice production will be affected. See "Doors will not close completely" in the Troubleshooting section for more information.	
<b>Refrigerator or Freezer section is too cold.</b>	Controls are not set correctly for conditions.	If the temperature is too cold, raise the temperature setting one increment at a time (refer to the Setting the Controls section). When changing control settings, wait 24 hours before making additional adjustments.

## TROUBLESHOOTING GUIDE

Problem	Possible Causes	Solutions
<b>Temperature is too warm or there is interior moisture buildup.</b>	The air vents are blocked. Cold air circulates from the freezer to the fresh food section and back again through air vents in the wall dividing the two sections.	<p>Locate air vents by using your hand to sense airflow and move all packages that block vents and restrict airflow. (See air flow diagram below.)</p> 
	The doors are opened often.	Opening the door warms the refrigerator, requiring the compressor to run longer in order to cool the refrigerator back down. In order to conserve energy, try to get everything you need out of the refrigerator at once, keep food organized so it is easy to find, and close the door as soon as the food is removed.
	The control is not set correctly for the surrounding conditions.	If the temperature is too warm, change the setting one increment at a time. Refer to the Setting the Controls section. Wait 24 hours for temperatures to stabilize or even out.
	A large amount of food has just been added to the refrigerator or freezer.	Adding food warms the refrigerator. It can take a few hours for the refrigerator to return to normal temperature.
	The food is not packaged correctly.	Wrap food tightly and wipe off damp containers prior to storing in the refrigerator to avoid moisture accumulation. If necessary, repackage food according to the guidelines in the Food Storage Guide section.
	The doors are not closing completely.	See "Doors will not close completely" in the Troubleshooting section.
	The weather is humid.	In humid weather, air carries moisture into the refrigerator when the doors are opened. Increased humidity in the freezer or refrigerator compartments can lead to frost or condensation.
	An automatic defrost cycle was completed.	It is normal for droplets to form on the interior back wall after the refrigerator automatically defrosts.

## TROUBLESHOOTING GUIDE

Problem	Possible Causes	Solutions
<b>The doors are difficult to open.</b>	The gaskets are dirty or sticky.	Clean the gaskets and the surfaces that they touch. Rub a thin coat of appliance polish or kitchen wax on the gaskets after cleaning.
	The door is reopened within a short time after having been opened.	When you open the door, warmer air enters the refrigerator. As the warm air cools, it can create a vacuum. If the door is hard to open, wait one minute to allow the air pressure to equalize, then see if it opens more easily.
<b>Frozen food in refrigerator compartment.</b>	The temperature control in the refrigerator compartment is set too cold.	Press the Temperature Adjust button to set the refrigerator compartment to a warmer temperature.
	Refrigerator is installed in a cold location.	When room temperature is below 41°F (5°C), food can freeze. The refrigerator should not be operated in temperatures below 55°F (13°C).
	Food with a high water content was placed too close to the cold air discharge vent.	Place food with a high water content toward the front of the refrigerator.

# WARRANTY

## LG ELECTRONICS U.S.A., INC. LG REFRIGERATOR LIMITED WARRANTY - U.S.A.

Should your LG Refrigerator ("Product") fail due to a defect in materials or workmanship under normal home use, during the warranty period set forth below, LG will at its option repair or replace the product. This limited warranty is valid only to the original retail purchaser of the product and applies only when purchased and used within the United States including U.S. Territories. Proof of original retail purchase is required to obtain warranty service under this limited warranty.

WARRANTY PERIOD		
Refrigerator/Freezer	Sealed System (Compressor, Condenser, and Evaporator only)	
One (1) year from the date of original retail purchase	One (1) year from the date of original retail purchase	Seven (7) years from the date of original retail purchase
Parts and Labor (internal/functional parts only)	Parts and Labor	Parts only (Consumer will be charged for labor).

Noises associated with normal operation and failure to follow instructions found in the use and care and installation guides or operating the unit in an unsuitable environment will not be covered under this warranty.

- ▶ Replacement products and parts are warranted for the remaining portion of the original warranty period or ninety (90) days, whichever is greater.
  - ▶ Replacement products and parts may be new or remanufactured.
- THIS WARRANTY IS IN LIEU OF ANY OTHER WARRANTY, EXPRESS OR IMPLIED, INCLUDING WITHOUT LIMITATION, ANY WARRANTY OF MERCHANTABILITY OR FITNESS FOR A PARTICULAR PURPOSE. TO THE EXTENT ANY IMPLIED WARRANTY IS REQUIRED BY LAW, IT IS LIMITED IN DURATION TO THE EXPRESS WARRANTY PERIOD ABOVE. NEITHER THE MANUFACTURER NOR ITS U.S. DISTRIBUTOR SHALL BE LIABLE FOR ANY INCIDENTAL, CONSEQUENTIAL, INDIRECT, SPECIAL, OR PUNITIVE DAMAGES OF ANY NATURE, INCLUDING WITHOUT LIMITATION, LOST REVENUES OR PROFITS, OR ANY OTHER DAMAGE WHETHER BASED IN CONTRACT, TORT, OR OTHERWISE. Some states do not allow the exclusion or limitation of incidental or consequential damages or limitations on how long an implied warranty lasts, so the above exclusion or limitation may not apply to you. This warranty gives you specific legal rights and you may also have other rights that vary from state to state.**

**THIS LIMITED WARRANTY DOES NOT COVER:**

1. Service trips to deliver, pick up, install, or repair the product; instruct the customer on operation of the product; repair or replace fuses or correct wiring or plumbing, or correction of unauthorized repairs/installation.
2. Failure of product to perform during power failures and interruptions or inadequate electrical service.
3. Damage caused by leaky or broken water pipes, frozen water pipes, restricted drain lines, inadequate or interrupted water supply or inadequate supply of air.
4. Damage resulting from operating the product in a corrosive atmosphere or contrary to the instructions outlined in the product owner's manual.
5. Damage to the product caused by accidents, pests and vermin, lightning, wind, fire, floods, or acts of God.
6. Damage resulting from misuse, abuse, improper installation, repair, or maintenance. Improper repair includes use of parts not approved or specified by LG.
7. Damage or failure caused by unauthorized modification or alteration, or if it is used for other than the intended purpose, or any water leakage where the unit was not properly installed.
8. Damage or failure caused by incorrect electrical current, voltage, or plumbing codes, commercial or industrial use, or use of accessories, components, or consumable cleaning products that are not approved by LG.
9. Damage caused by transportation and handling, including scratches, dents, chips, and/or other damage to the finish of your product, unless such damage results from defects in materials or workmanship and is reported within one (1) week of delivery (Call: 1-800-243-0000).
10. Damage or missing items to any display, open box, discounted, or refurbished product.
11. Products with original serial numbers that have been removed, altered, or can not be readily determined. Model and Serial numbers, along with original retail sales receipt, are required for warranty validation.
12. Increases in utility costs and additional utility expenses.
13. Replacement of light bulbs, filters, or any consumable parts.
14. Repairs when your product is used in other than normal and usual household use (e.g. commercial use, offices, and recreational facilities) or contrary to the instructions outlined in the product owner's manual.
15. Costs associated with removal of your product from your home for repairs.
16. The removal and reinstallation of the product if it is installed in an inaccessible location or is not installed in accordance with published installation instructions, including LG's owner's and installation manuals.
17. Shelves, door bins, drawers, handles, accessories, and other parts besides those that were originally included with this particular model.

**The cost of repair or replacement under these excluded circumstances shall be borne by the consumer.**

**For complete warranty details and customer assistance,** please call or visit our website:  
 Call 1-800-243-0000 (24 hours a day, 365 days a year) and select the appropriate option from the menu, or visit our website at [www.lg.com](http://www.lg.com)  
 Or by mail: LG Customer Information Center:  
 P. O. Box 240007, 201 James Record Road Huntsville, Alabama 35813  
 ATTN: CIC

Write your warranty information below:

Product Registration Information:

Model:  
 Serial Number:  
 Date of Purchase:

# WARRANTY

## LG ELECTRONICS CANADA, INC. LG REFRIGERATOR LIMITED WARRANTY - Canada

**WARRANTY:** Should your LG Refrigerator ("Product") fail due to a defect in material or workmanship under normal home use during the warranty period set forth below, LG Canada will at its option repair or replace the Product upon receipt of proof of original retail purchase.

This warranty is valid only to the original retail purchaser of the product and applies only to a Product distributed in Canada by LG Canada or an authorized Canadian distributor thereof. The warranty only applies to Products located and used within Canada.

<b>WARRANTY PERIOD: (Note: If the original date of purchase can not be verified, the warranty will begin sixty (60) days from the date of manufacture).</b>		
<b>Refrigerator/Freezer</b>	<b>Sealed System (Compressor, Condenser, and Evaporator only)</b>	
One (1) year from the date of original retail purchase	One (1) year from the date of original retail purchase	Seven (7) years from the date of original retail purchase
Parts and Labor (internal/functional parts only)	Parts and Labor	Parts only (Consumer will be charged for labor).

Noises associated with normal operation and failure to follow instructions found in the use and care and installation guides or operating the unit in an unsuitable environment will not be covered under this warranty.

- ▶ Replacement products and parts are warranted for the remaining portion of the original warranty period or ninety (90) days, whichever is greater.
- ▶ Replacement products and parts may be new or remanufactured.
- ▶ LG Authorized Service Center warranties their repair work for thirty (30) days.

LG CANADA'S SOLE LIABILITY IS LIMITED TO THE WARRANTY SET OUT ABOVE. EXCEPT AS EXPRESSLY PROVIDED ABOVE, LG CANADA MAKES NO AND HEREBY DISCLAIMS ALL OTHER WARRANTIES AND CONDITIONS RESPECTING THE PRODUCT, WHETHER EXPRESS OR IMPLIED, INCLUDING, BUT NOT LIMITED TO, ANY IMPLIED WARRANTY OR CONDITION OF MERCHANTABILITY OR FITNESS FOR A PARTICULAR PURPOSE, AND NO REPRESENTATIONS SHALL BE BINDING ON LG CANADA. LG CANADA DOES NOT AUTHORIZE ANY PERSON TO CREATE OR ASSUME FOR IT ANY OTHER WARRANTY OBLIGATION OR LIABILITY IN CONNECTION WITH THE PRODUCT. TO THE EXTENT THAT ANY WARRANTY OR CONDITION IS IMPLIED BY LAW, IT IS LIMITED TO THE EXPRESS WARRANTY PERIOD ABOVE. LG CANADA, THE MANUFACTURER OR DISTRIBUTOR SHALL NOT BE LIABLE FOR ANY INCIDENTAL, CONSEQUENTIAL, SPECIAL, DIRECT OR INDIRECT DAMAGES, LOSS OF GOODWILL, LOST PROFITS, PUNITIVE OR EXEMPLARY DAMAGES OR ANY OTHER DAMAGE, WHETHER ARISING DIRECTLY OR INDIRECTLY FROM ANY CONTRACTUAL BREACH, FUNDAMENTAL OR OTHERWISE, OR FROM ANY ACTS OR OMISSIONS, TORT, OR OTHERWISE. This warranty gives you specific legal rights. You may have other rights which may vary from province to province depending on applicable provincial laws. Any term of this warranty that negates or varies any implied condition or warranty under provincial law is severable where it conflicts with provincial law without affecting the remainder of this warranty's terms.

**THIS LIMITED WARRANTY DOES NOT COVER:**

1. Service trips to deliver, pick up, install, or repair the product; instruct the customer on operation of the product; repair or replace fuses or correct wiring or plumbing, or correction of unauthorized repairs/installation.
2. Failure of product to perform during power failures and interruptions or inadequate electrical service.
3. Damage caused by leaky or broken water pipes, frozen water pipes, restricted drain lines, inadequate or interrupted water supply or inadequate supply of air.
4. Damage resulting from operating the product in a corrosive atmosphere or contrary to the instructions outlined in the product owner's manual.
5. Damage to the product caused by accidents, pests and vermin, lightning, wind, fire, floods, or acts of God.
6. Damage resulting from misuse, abuse, improper installation, repair, or maintenance. Improper repair includes use of parts not approved or specified by LG.
7. Damage or failure caused by unauthorized modification or alteration, or if it is used for other than the intended purpose, or any water leakage where the unit was not properly installed.
8. Damage or failure caused by incorrect electrical current, voltage, or plumbing codes, commercial or industrial use, or use of accessories, components, or consumable cleaning products that are not approved by LG.
9. Damage caused by transportation and handling, including scratches, dents, chips, and/or other damage to the finish of your product, unless such damage results from defects in materials or workmanship and is reported within one (1) week of delivery.
10. Damage or missing items to any display, open box, discounted, or refurbished product.
11. Products with original serial numbers that have been removed, altered, or can not be readily determined. Model and Serial numbers, along with original retail sales receipt, are required for warranty validation.
12. Increases in utility costs and additional utility expenses.
13. Replacement of light bulbs, filters, or any consumable parts.
14. Repairs when your product is used in other than normal and usual household use (e.g. commercial use, offices, and recreational facilities) or contrary to the instructions outlined in the product owner's manual.
15. Costs associated with removal of your product from your home for repairs.
16. The removal and reinstallation of the product if it is installed in an inaccessible location or is not installed in accordance with published installation instructions, including LG's owner's and installation manuals.
17. Shelves, door bins, drawers, handles, accessories, and other parts besides those that were originally included with this particular model.

**The cost of repair or replacement under these excluded circumstances shall be borne by the consumer.**

**For complete warranty details and customer assistance, please call or visit our website:** Call 1-888-542-2623 (24 hours a day, 365 days a year) and select the appropriate option from the menu, or visit our website at [www.lg.com](http://www.lg.com)

Write your warranty information below:

Product Registration Information: \_\_\_\_\_

Model: \_\_\_\_\_

Serial Number: \_\_\_\_\_

Date of Purchase: \_\_\_\_\_





ESPAÑOL

# MANUAL DE USUARIO REFRIGERADOR CON CONGELADOR SUPERIOR

Lea detenidamente este manual antes de empezar a utilizar el refrigerador y guárdelo como referencia para el futuro.

# TABLA DE CONTENIDO

<b>Versión Inglés</b>	<b>1</b>	<b>Cuidado de su Refrigerador</b>	<b>51-52</b>
		Para limpiar su Refrigerador	51
<b>Instrucciones Importantes de Seguridad</b>	<b>35-36</b>	Exterior	51
Requerimientos de Conexión a Tierra	36	Instalación	51
		Puertas y Empaques (Sellos)	51
<b>Partes y Características</b>	<b>37</b>	Partes Plásticas	51
		Cubierta Trasera	51
		Cómo cambiar las Luces (LED)	52
		Interrupciones de Energía	52
<b>Instalación del Refrigerador</b>	<b>38</b>	Cuidados durante las Vacaciones	52
Desempaque	38	Cuidados cuando Usted se muda	52
Instalación	38		
Cómo quitar y cambiar las puertas del Refrigerador	39-41	<b>Acerca de la Fábrica de Hielo Automática</b>	<b>53</b>
Como cambia el sentido de las puertas del Refrigerador	42-44		
Cierre y Alineación de Puertas	45	<b>Cómo conectar la Tubería de agua</b>	<b>54-56</b>
<b>Uso del Refrigerador</b>	<b>45-48</b>	<b>Guía de solución de problemas</b>	<b>57-61</b>
Circulación Apropiada del Aire	45		
Ajuste de los Controles	46	<b>Garantía</b>	<b>62</b>
Cómo regular los Ajustes de los Controles	46-47		
Guía para Almacenar Alimentos	47		
Para guardar Alimentos Congelados	48		
Parrillas del Refrigerador	49		
Cajón de Carnes Frías	49		
Charola para hielos	49		
Control de Humedad en los Cajones	50		
Anaqueles de la Puerta	50		
Compartimento para Lácteos	50		



# INSTRUCCIONES IMPORTANTES DE SEGURIDAD

## MENSAJES DE SEGURIDAD

Hemos incluido muchos mensajes importantes de seguridad en este manual. Lea y obedezca siempre todos los mensajes de seguridad.



Este es el símbolo de advertencia de seguridad. Este símbolo le advierte sobre peligros potenciales que pueden ocasionar la muerte o una lesión a usted y a los demás, así como daños al producto. Todos los mensajes de seguridad irán a continuación del símbolo de advertencia de seguridad y de la palabra "PELIGRO", "PRECAUCIÓN" o "ADVERTENCIA". Estas palabras significan:

### PELIGRO

Si no sigue las instrucciones de inmediato, usted puede morir o sufrir una lesión grave.

### ADVERTENCIA

Si no sigue las instrucciones de inmediato, usted puede morir o sufrir una lesión grave.

### PRECAUCIÓN

Si no sigue las instrucciones, usted puede morir o sufrir una lesión grave. Indica una situación de peligro inminente la cual, si no se evita, puede resultar en daños menores o daños al producto.

Todos los mensajes de seguridad le dirán el peligro potencial, le dirán cómo reducir las posibilidades de sufrir una lesión y lo que puede suceder si no se siguen las instrucciones.

## ADVERTENCIA

Para reducir el riesgo de fuego, choque eléctrico o lesiones a personas, se deben tomar las siguientes medidas de precaución:

- NUNCA desconecte su refrigerador jalando del cable, siempre tome firmemente el enchufe y desconéctelo directamente de la fuente de poder.
- Repare o reemplace inmediatamente todos los cables de servicio que se han dañado. No use cables que tengan fracturas o daños por abrasión a lo largo del cable o en el enchufe.
- Cuando mueva su refrigerador, tenga cuidado de no pisar el cable de alimentación con los rodillos del aparato.
- **NO** almacene o use gasolina u otros combustibles (líquidos o vapores) en los alrededores de éste u otro electrodoméstico.
- **NO** permita que los niños suban, cuelguen o trepen las puertas o parrillas del refrigerador. Pueden lesionarse y dañar el producto.
- Mantenga sus dedos alejados de aquellas áreas en las que se pueden lesionar tales como las áreas de cierre de puertas, bisagras y estantes. Tenga cuidado al cerrar las puertas cuando los niños se encuentren cerca.
- Desenchufe el refrigerador antes de limpiarlo o hacer cualquier reparación. **NOTA:** Le recomendamos realizar cualquier clase de servicio con una persona calificada.
- Antes de cambiar una bombilla quemada, desenchufe el refrigerador o desconecte el circuito de poder para evitar el contacto con un filamento vivo (la bombilla se puede romper mientras se cambia). **NOTA:** Ajustando los controles a la posición de OFF (apagado) no desconecta la energía del circuito de la iluminación.
- Para su seguridad, este producto debe estar conectado a tierra de manera apropiada. Haga revisar su circuito de electricidad por un electricista

calificado para asegurar una buena conexión a tierra.

- No guarde botellas en el compartimento del congelador, ya que podrían estallar al congelarse y causar daños.
- Lea todas las instrucciones antes de utilizar el producto. Utilice el producto únicamente para el fin que se describe en esta guía.
- Una vez que el refrigerador se encuentra en operación, no toque con las manos mojadas las superficies frías del congelador, la piel puede adherirse a las superficies.
- En aquellos refrigeradores con fábrica automática de hielo, evite contacto con las partes móviles del mecanismo expulsor o con el mecanismo de calentamiento que libera los cubos, **NO** coloque sus dedos o manos en ellos cuando el refrigerador está conectado.
- **NO** vuelva a congelar los alimentos que hayan sido descongelados previamente. El Departamento de Agricultura de los Estados Unidos, en su Boletín de Casas y Jardines No. 69 establece que:  
"..Ud. puede volver a congelar los alimentos que han sido congelados previamente si contienen cristales de hielo o éstos continúan fríos – de bajo de 40 °F (4 °C)".  
"...La carne molida, percederos o pescado que estén descoloridos o sin olor no deben ser congelados ni ingeridos. La nieve derretida tampoco debe consumirse. Si el olor o color de la comida es cuestionable, deshágase de ella, puede ser peligroso".  
"Descongelar parcialmente o volver a congelar los alimentos reduce la calidad de éstos, especialmente las frutas, vegetales y alimentos preparados. La calidad de las carnes rojas puede mantenerse mayor tiempo que los demás alimentos. Use los productos que vuelva a congelar tan pronto como sea posible para mantener su calidad".

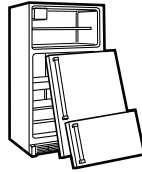
## GUARDE ESTAS INSTRUCCIONES

## ⚠ PRECAUCIÓN

Este aparato no está destinado para su uso por las personas (incluidos niños) con capacidad física, sensorial o mental reducida, falta de experiencia y conocimientos, a menos que se les haya dado la supervisión o instrucción en relación con el uso del aparato por la persona responsable de su seguridad. Los niños deben ser supervisados para asegurar que no jueguen con el aparato.

## ⚠ PELIGRO: LOS NIÑOS PUEDEN QUEDAR ATRAPADOS

El quedar atrapado y asfixia en niños no es un problema del pasado. Los refrigeradores tirados y abandonados son un peligro, aún si van a quedar ahí "por unos cuantos días". Si Ud. está por deshacerse de su refrigerador viejo, por favor siga las siguientes instrucciones para prevenir accidentes.



### ANTES DE TIRAR SU REFRIGERADOR O CONGELADOR CUANDO YA NO SE USE:

- Saque las puertas
- Deje los estantes en su lugar, así los niños no pueden meterse en ellos con facilidad.

## CÓMO DESECHAR LOS CFC

Su refrigerador viejo tiene un sistema de refrigeración que utiliza CFC (clorofluorocarbonos). Los CFC afectan a la capa estratosférica de ozono.

refrigerante CFC sea eliminado de la manera apropiada por personal calificado. Si Ud. libera intencionalmente el refrigerante con CFC puede estar sujeto a multas o prisión de acuerdo a las legislaciones ambientales vigentes.

Si Ud. tira su refrigerador viejo, asegúrese que el

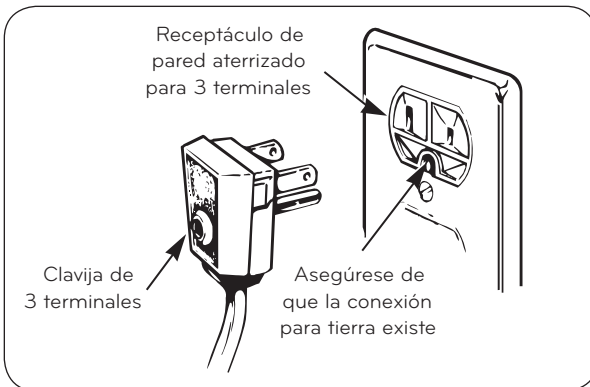
## REQUERIMIENTOS DE CONEXIÓN A TIERRA

**IMPORTANTE:** Lea con atención lo siguiente.

### CONEXIÓN

#### ⚠ ADVERTENCIA

**PELIGRO DE CHOQUE ELÉCTRICO PARA SU SEGURIDAD PERSONAL**, este aparato debe estar aterrizado apropiadamente. Haga revisar por un personal experto sus contactos de pared para asegurarse de que el enchufe está conectado a tierra apropiadamente.



### MÉTODO DE CONEXIÓN A TIERRA RECOMENDADO

Su refrigerador debe estar siempre conectado a un circuito propio que esté conectado adecuadamente a tierra. La alimentación de energía debe ser únicamente de 115 V ~ 60 Hz, CA ó 127 V ~ 60 Hz, CA (de acuerdo a los requerimientos de conexión que su país necesite) y con fusibles de 15 ó 20 A. Esto brinda el mejor desempeño y previene de las sobrecargas de energía que pueden provocar un incendio debido al sobrecalentamiento de los cables.

Se recomienda que se utilice un circuito separado para este producto, así como un receptáculo que no pueda ser desconectado con un interruptor. No utilice un cable de extensión.

Es su responsabilidad y obligación reemplazar aquellos receptáculos de 2 terminales por uno de 3 terminales conectado debidamente a tierra.

**Bajo ninguna circunstancia corte o arranque la tercera terminal (tierra) del enchufe.**

**NOTA:** Antes de instalar, limpiar o cambiar los focos, desconecte el refrigerador. Cuando haya terminado, vuelva a conectar el refrigerador y ajuste el control (de termostato, refrigerador o congelador, según su modelo) a la posición deseada.

### USO DE CABLES DE EXTENSIÓN

Nosotros le recomendamos que no utilice los cables de extensión. Sin embargo, si usted desea utilizar un cable de extensión, es absolutamente necesario que se encuentre en la lista de UL (en los Estados Unidos) o en la lista de la CSA (en Canada), que tenga 3 terminales y que soporte una carga de energía de 15 A (mínimo) y 120 V.

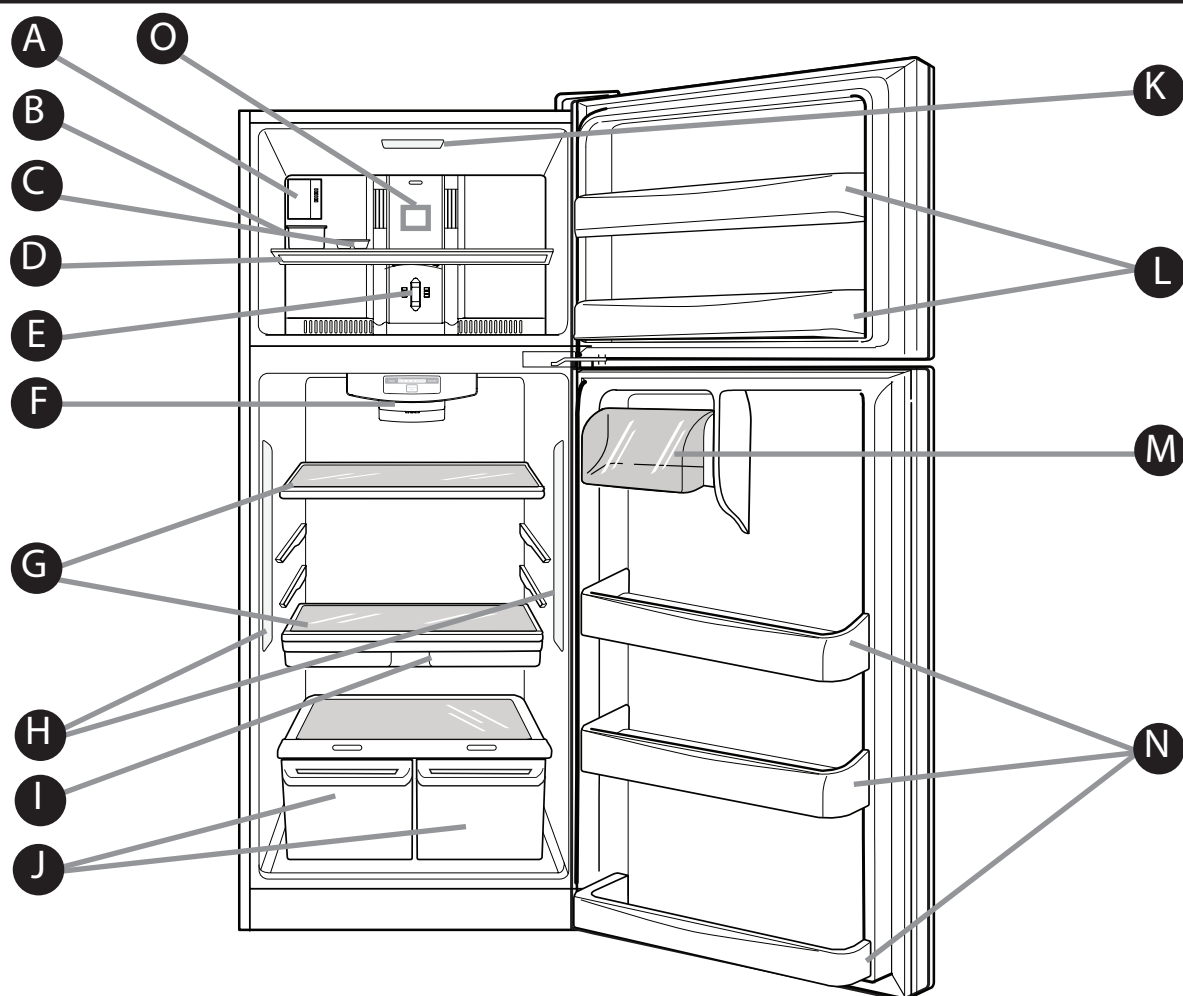
El uso de un cable de extensión incrementará el área que su refrigerador necesita en la parte de atrás.

#### ⚠ ADVERTENCIA

##### REEMPLAZO DE CABLE DE CORRIENTE

Si el cordón de alimentación se daña, éste debe ser reemplazado por el fabricante, por nuestro centro de servicio o personal calificado por LG para evitar algún riesgo.

## PARTES Y CARACTERÍSTICAS



Use esta sección para que Ud. se familiarice con las partes y características de su nuevo refrigerador.

**NOTA:** Esta guía cubre distintos modelos. Su refrigerador puede tener algunas o todas las características y partes que se muestran en la siguiente lista. Algunas de las localizaciones de las partes tal vez no concuerden con su modelo.

- |  |  |
|--|--|
| <b>A</b> Fábrica de Hielo Automática *           | <b>H</b> Luz del Refrigerador (LED)              |
| <b>B</b> Recipiente para Hielo                   | <b>I</b> Cajón Pantry                            |
| <b>C</b> Bandeja de hielos *                     | <b>J</b> Tapa del Compartimento de Verduras      |
| <b>D</b> Estante del Congelador                  | <b>K</b> Luz del Congelador (LED)                |
| <b>E</b> Control de Temperatura del Congelador   | <b>L</b> Anaqueles en la Puerta del Congelador   |
| <b>F</b> Control de Temperatura del Refrigerador | <b>M</b> Compartimento para Productos Lácteos    |
| <b>G</b> Estantes                                | <b>N</b> Anaqueles en la Puerta del Refrigerador |
|  | <b>O</b> Deco Duct, congelador.                  |

\* En algunos modelos

# INSTALACIÓN DEL REFRIGERADOR

## ⚠ ADVERTENCIA

### PELIGRO DE PESO EXCESIVO

Use la ayuda de dos o más personas para mover e instalar el refrigerador, no seguir estas instrucciones puede ocasionar lesiones en la espalda u otras partes del cuerpo.

## DESEMPAQUE

Antes de instalar su refrigerador, despegue y remueva las cintas y etiquetas temporales. No retire aquellas etiquetas que muestren advertencias, el modelo y número de serie o la ficha técnica del producto que se encuentra en la parte posterior del refrigerador.

Para quitar los residuos de cinta o adhesivo, frote bien con sus dedos un poco de detergente líquido para vajillas encima del adhesivo. Limpie con agua tibia y seque. No utilice instrumentos filosos, alcohol para fricciones, líquidos inflamables o productos de limpieza abrasivos para quitar la cinta adhesiva o goma. Estos productos pueden dañar la superficie de su refrigerador. Para obtener más información, vea la sección **"Instrucciones Importantes de Seguridad"**. Las parrillas vienen instaladas en su posición de fábrica acomódelas de acuerdo a sus necesidades de espacio.

### Cómo mover su refrigerador:

Su refrigerador es muy pesado, cuando lo mueva para limpiarlo o darle servicio, proteja el piso. Al mover el refrigerador, siempre tire directamente hacia fuera. Cuando lo trate de mover, no lo menee de lado a lado ni lo haga "caminar" ya que podría dañar el piso.

## ⚠ ADVERTENCIA

### PELIGRO DE EXPLOSIÓN



Mantenga los materiales y vapores inflamables (tales como gasolina) alejados del refrigerador. No seguir esta instrucción puede ocasionar la muerte, explosión o incendio.

## INSTALACIÓN

1. Evite colocar la unidad cerca de fuentes de calor, rayos de sol directos o humedad.
2. Para evitar la vibración, la unidad debe estar nivelada. Si se requiere, ajuste los tornillos niveladores para compensar el desnivel del suelo. El frente debe de estar ligeramente más alto que la parte posterior para facilitar el cierre de las puertas. Los tornillos de nivelación pueden girar fácilmente levantando un poco el refrigerador de la parte frontal, gire los tornillos en favor de las manecillas del reloj (↻) para levantar la unidad o en contra de las manecillas (↺) para bajarla.
3. Instale el refrigerador en un área que se encuentre entre 55 °F (13 °C) y 110 °F (43 °C). Si la temperatura se encuentra fuera de estos rangos, el enfriamiento del aparato puede afectarse.

⚠ **PRECAUCIÓN:** Evite colocar el refrigerador cerca de fuentes de energía, luz solar o humedad.

## UNA VEZ INSTALADO

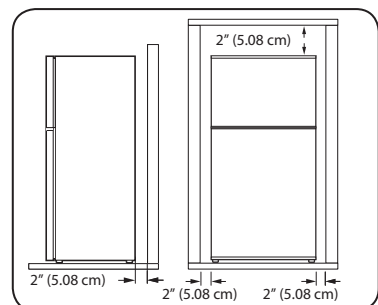
1. Limpie cuidadosamente su refrigerador y remueva el polvo acumulado durante el envío.
2. Instale los accesorios tales como el recipiente para hielos, cajones, parrillas, etc., en los lugares apropiados. Estos se encuentran empacados para prevenir daños durante el transporte.
3. Deje su refrigerador encendido de 2 a 3 horas antes de guardar alimentos. Verifique el flujo de aire frío en el compartimento del congelador para asegurarse de que la unidad enfría apropiadamente. Su refrigerador ahora está listo para usarse.

## ⚠ ADVERTENCIA:

- Tenga cuidado cuando trabaje con la bisagra, la cubierta de la base, los topes, etc., puede lastimarse.
- No ponga sus manos o herramientas en las salidas de aire, la cubierta de la base o en la parte de abajo del refrigerador, puede lastimarse o recibir un choque eléctrico.

## A una distancia adecuada de elementos cercanos

Por favor, mantenga el refrigerador a una distancia prudente de otros objetos. Una distancia demasiado reducida entre la unidad y elementos cercanos puede ocasionar reducción de la capacidad de congelación y aumento del consumo de electricidad.



# INSTALACIÓN DEL REFRIGERADOR

## REMOVIENDO Y REEMPLAZANDO PUERTAS

(Para obtener asistencia adicional sobre este tema incluyendo videos útiles, por favor visítenos en: [www.lg.com](http://www.lg.com))

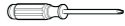
Si la entrada tiene menos de 35 pulgadas de ancho, se necesitará quitar las puertas del refrigerador.

**IMPORTANTE:** Antes de empezar, apague el refrigerador y desconéctelo. Quite la comida y los anaqueles de las puertas.

### HERRAMIENTAS QUE USTED PUEDE NECESITAR



1/4 pulg  
3/8 pulg  
10 mm



Destornillador Phillips



Destornillador Plano



Llave Inglesa Ajustable

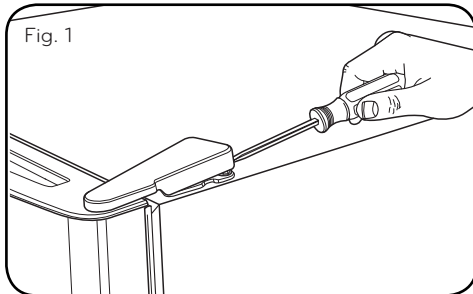
### ⚠ ADVERTENCIA

#### PELIGRO DE CHOQUE ELÉCTRICO

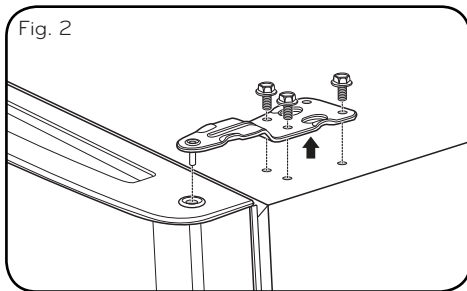
Antes de comenzar, desconecte el refrigerador o interrumpa la corriente de electricidad en el cortacircuitos o caja de fusibles. Quite los alimentos y cualquier anaquel o los recipientes de usos múltiples. No seguir estas instrucciones puede ocasionar la muerte o una lesión grave.

### 1. Para Quitar la puerta del Congelador

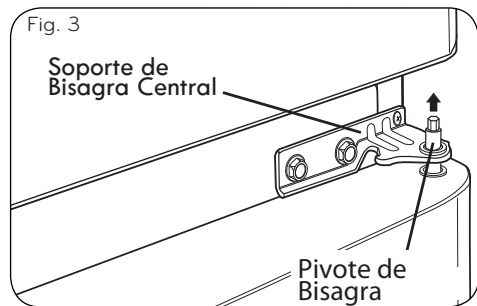
- Suavemente levante y quite con el destornillador de cabeza plana la tapa de la bisagra superior (vea Fig. 1).



- Usando la llave tubular de 10 mm o de 3/8 pulgadas, quite los tres tornillos y levante la bisagra superior (vea Fig. 2).

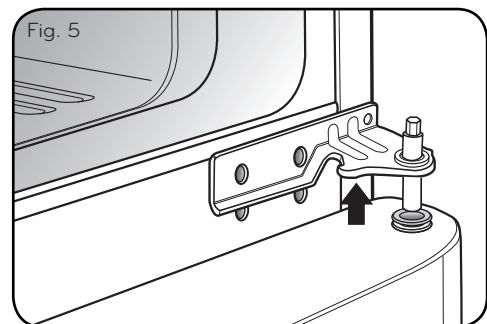
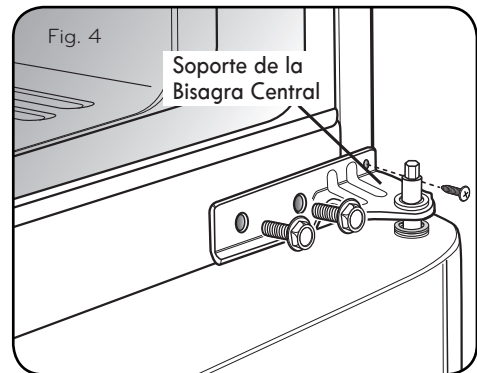


- Levante un poco la puerta del congelador y sáquela. (Fig. 3). Coloque a un lado.



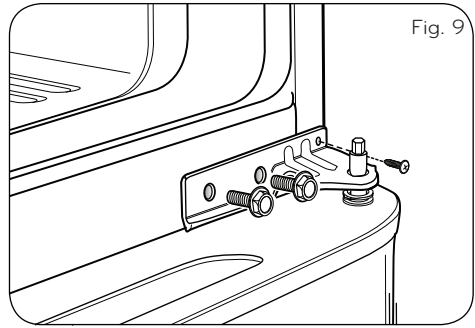
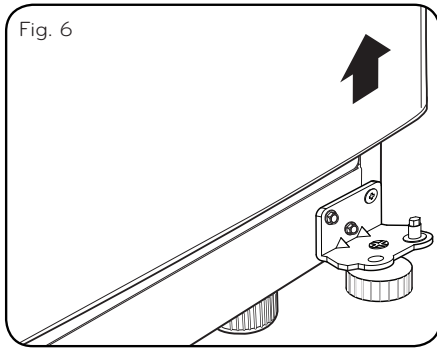
### 2. Para quitar puerta del refrigerador.

- Suelte y quite los dos tornillos, con el destornillador Phillips quite el soporte de la bisagra central del marco del refrigerador (Fig. 4). Coloque las partes a un lado (Figura 5).



- Levante un poco la puerta y sáquela. (Vea Figura 6).

## INSTALACIÓN DEL REFRIGERADOR



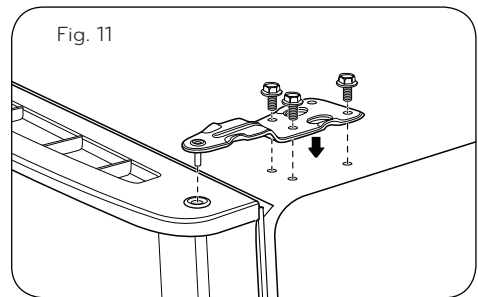
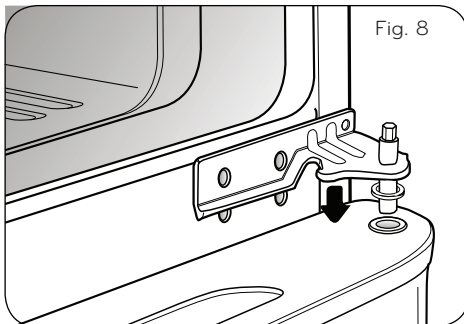
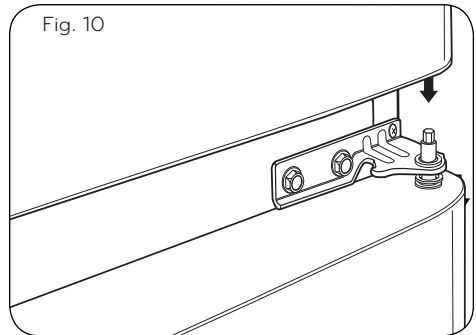
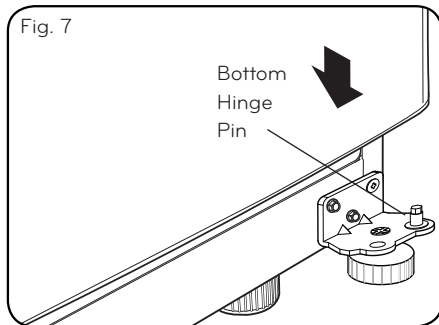
- Para volver a colocar las puertas, comience con la puerta del refrigerador y continúe con la puerta del congelador..

### 4. Para Instalar la puerta del Congelador

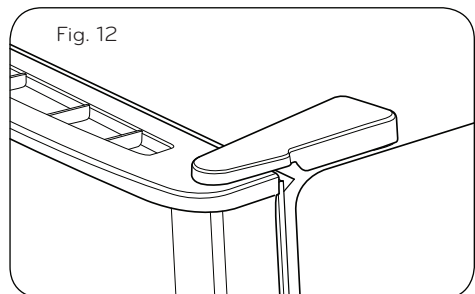
- Coloque la puerta del congelador dentro del soporte de la Bisagra Central (Figura 10).

### 3. Para Instalar la puerta del Refrigerador

- Coloque la puerta en el pivote de la Bisagra Inferior (Figura 7).
- Coloque el pivote de la Bisagra Central dentro del pivote de inserción localizado en la parte superior de la puerta del refrigerador (Fig. 8). Sostenga la puerta en su lugar y alinee el soporte de la Bisagra Central con los orificios en el marco del refrigerador.



- Cuidadosamente coloque la tapa de la Bisagra Superior hasta que encaje sobre la Bisagra (Fig. 12).



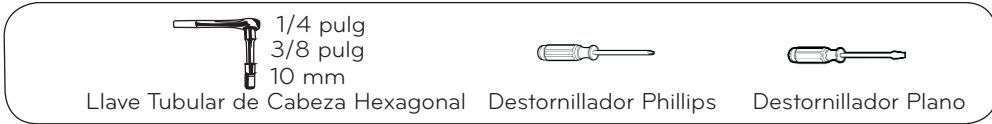
- Utilice los dos tornillos y el destornillador Phillips para reajustar el soporte de la Bisagra Central con la puerta en el marco del refrigerador (Fig. 9).

# INSTALACIÓN DEL REFRIGERADOR

## CÓMO CAMBIAR EL SENTIDO DE APERTURA A LAS PUERTAS DEL REFRIGERADOR

Puede que encuentre más conveniente convertir las puertas del estilo de abrir del lado izquierdo (instalado de fábrica) para abrir del lado derecho. Las direcciones hacen referencia al lado derecho como su lado derecho al mirar la unidad.

### HERRAMIENTAS QUE USTED PUEDE NECESITAR



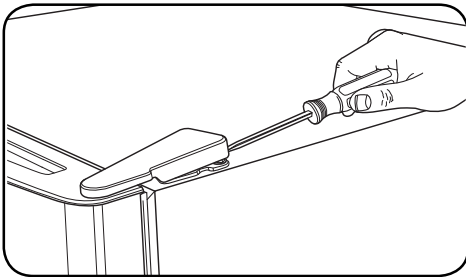
### ⚠ ADVERTENCIA

#### PELIGRO DE CHOQUE ELÉCTRICO

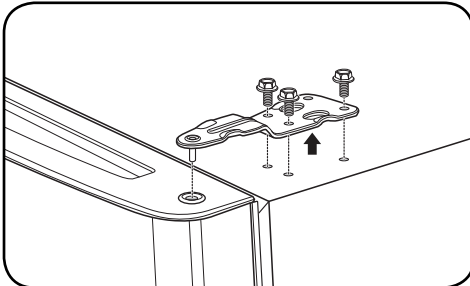
Antes de comenzar, desconecte el refrigerador o interrumpa la corriente de electricidad en el cortacircuitos o caja de fusibles. Quite los alimentos y cualquier anaquel o los recipientes de usos múltiples. No seguir estas instrucciones puede ocasionar la muerte o una lesión grave.

#### PUERTA DEL CONGELADOR REVERSIBLE

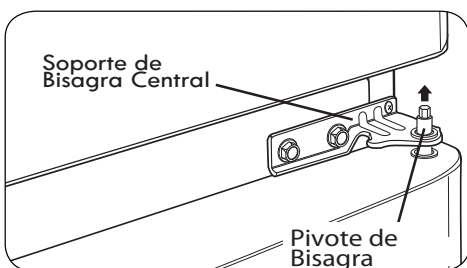
Suavemente levante y quite con el destornillador de cabeza plana la Tapa de la Bisagra Superior.



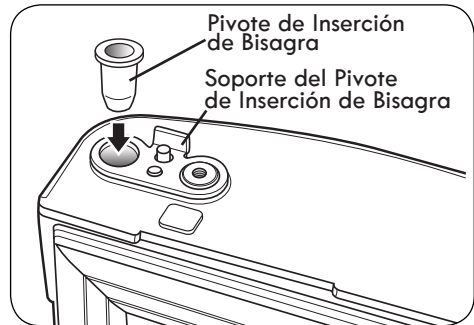
Usando la llave tubular de 10mm o de 3/8 pulgadas, quite los 3 tornillos y levante la Bisagra Superior. Coloque las partes a un lado.



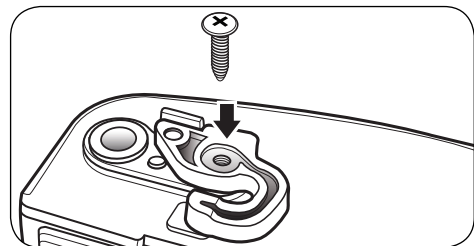
Levante un poco y sáquela.



Coloque la puerta del refrigerador al revés en una superficie que no raye la puerta y afloje los tornillos para sacar el Cierra Puerta/Retén y el Pivote de Inserción de Bisagra.

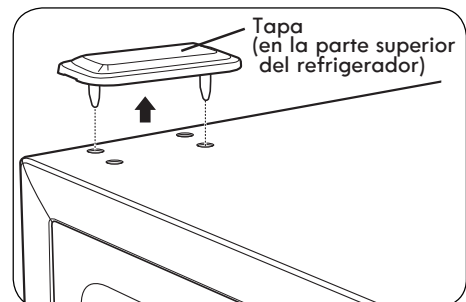


Cambie al lado opuesto el Cierra Puerta/Retén virándolo, colocándolo encima del Soporte del Pivote de Inserción de Bisagra y ajustando ambos con el tornillo.



Levante la tapa que está en el lado izquierdo de la parte superior del refrigerador para encontrar los orificios de los tornillos.

Coloque la puerta del congelador y las partes de la Bisagra Superior a un lado y quite la puerta del refrigerador.



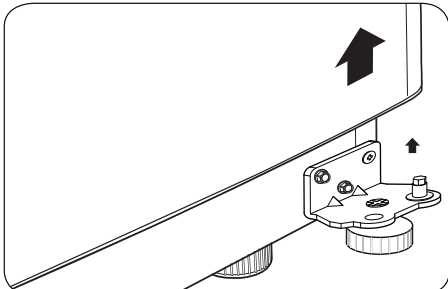
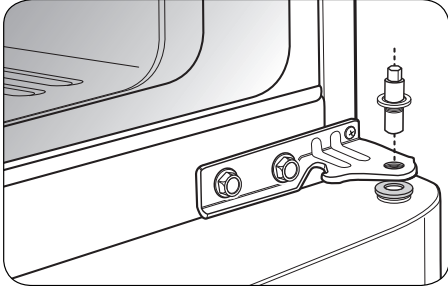


## INSTALACIÓN DEL REFRIGERADOR

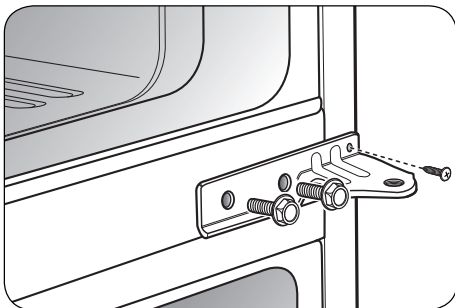
### 2. INVERTIR Y VOLVER A PONER LA PUERTA DEL REFRIGERADOR

Utilizando una llave tubular de ¼ pulgadas, afloje y quite el Pivote de Bisagra del Soporte del Pivote de Inserción de la Bisagra Central. Quite las arandelas debajo de la bisagra central y colóquelas a un lado.

NOTA: A este punto la puerta estará floja, levántela un poco y sáquela.

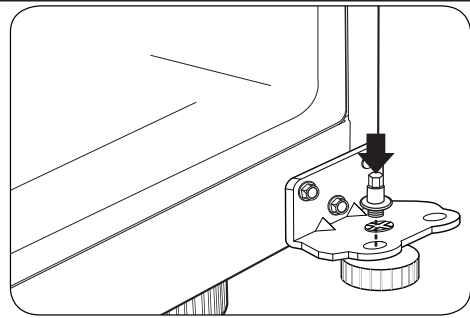
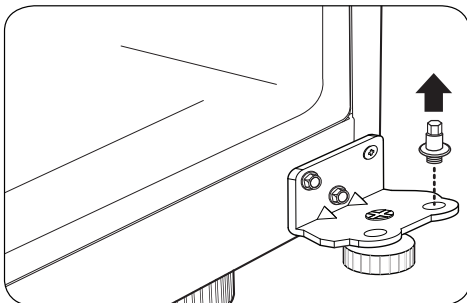


Afloje y quite los 2 tornillos y use el destornillador Phillips para quitar el Soporte de Bisagra Central del marco del refrigerador. Coloque las partes a un lado.

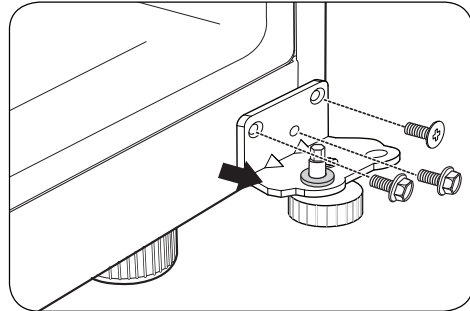


Quite las arandelas de Pivote de Bisagra Inferior. Utilizando una llave tubular de ¼ pulgadas, afloje y quite el Pivote de Bisagra de la Bisagra Inferior. Vuelva a poner el Pivote de Bisagra al lado opuesto de la Bisagra.

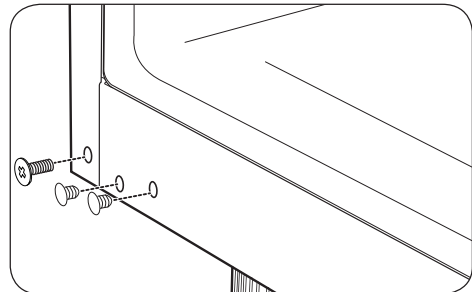
NOTA: Esto es más fácil hacerlo cuando la Bisagra aún está puesta.



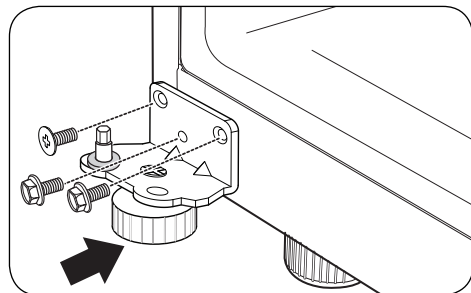
Utilizando una llave tubular de 10mm o de 13/32 pulgadas con 2 pulgadas de extensión, afloje los 3 tornillos y quite la Bisagra Inferior del lado derecho del marco.



A este nivel, quite el Tornillo Decorativo que está en la parte inferior del marco del refrigerador del lado izquierdo. Necesitará el orificio para la Bisagra Inferior.



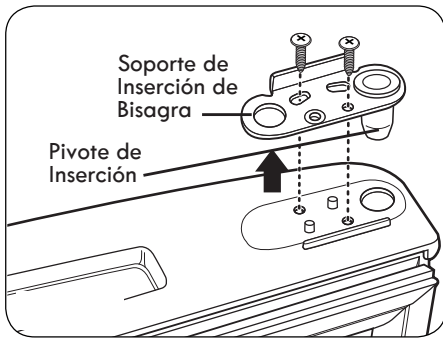
Mueva la Bisagra Inferior al lado izquierdo del marco, manteniendo la misma orientación, y vuelva a colocar con los 3 tornillos. Ahora mueva el Tornillo Decorativo al orificio en el lado derecho del marco.



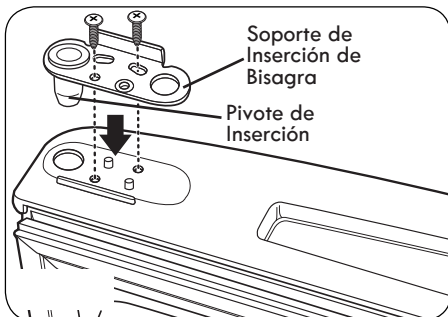
Coloque la puerta del refrigerador al revés en una superficie que no raye la puerta. Afloje los otros dos tornillos y quite el Soporte en conjunto con el Pivote de Inserción de Bisagra inferior.



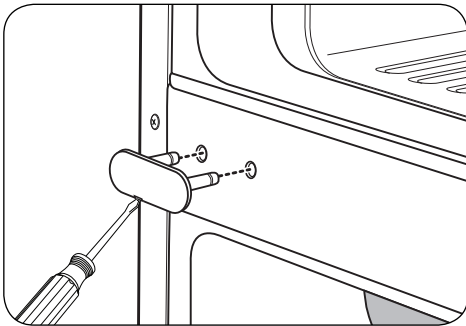
## INSTALACIÓN DEL REFRIGERADOR



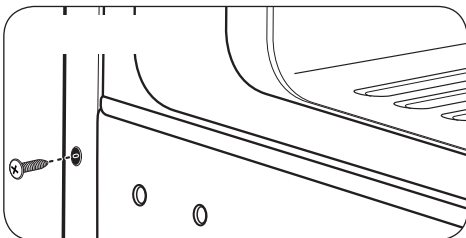
Saque el Pivote de Inserción de Bisagra y mueva el Soporte al otro lado de la puerta, manteniendo la misma orientación. Coloque el Pivote de Inserción de Bisagra en el lado izquierdo del soporte. Ajuste el Soporte del Pivote de Bisagra a la puerta.



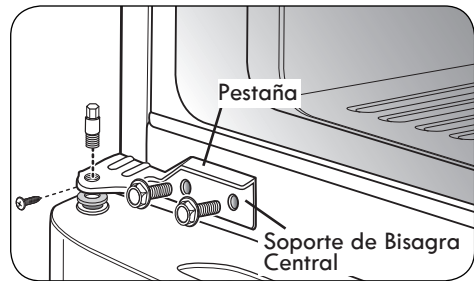
Con un destornillador de cabeza plana, cuidadosamente levante y quite la tapa que está sobre los orificios de los tornillos en el lado izquierdo del marco del refrigerador.



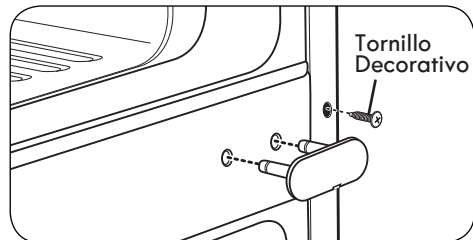
Quite el Tornillo Decorativo del marco de la parte inferior externa entre las puertas del congelador y el refrigerador. (Necesitará este orificio para el Soporte de la Bisagra Central)



Siguiendo la ilustración, gire el Soporte de la Bisagra Central (la Pestaña quedará hacia arriba) y posicónela en el lado izquierdo del refrigerador y vuelva a unirla con dos tornillos y el destornillador Phillips. Coloque la puerta del refrigerador sobre el pivote de la bisagra inferior. Coloque la arandela entre la puerta del refrigerador y la bisagra central y vuelva a unir el Pivote de Bisagra al Soporte de Bisagra con una llave tubular de ¼ pulgadas. NOTA: El soporte se ha girado, pero el Pivote de Bisagra se queda en la misma orientación con su lado hexagonal hacia arriba.

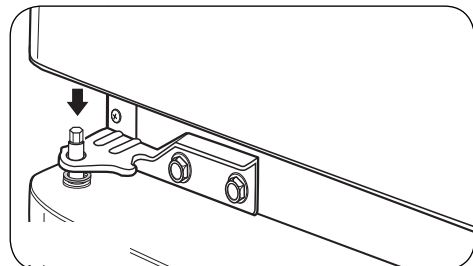


Coloque el Tornillo Decorativo en el orificio exterior del lado derecho del marco. Ponga la tapa en el lado derecho. La tapa se ajusta a la fuerza.



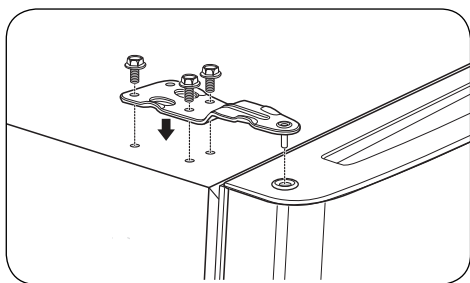
### VOLVER A UNIR LA PUERTA DEL CONGELADOR

Coloque la puerta del congelador sobre el Pivote de Bisagra del Soporte del Pivote de Bisagra Central.

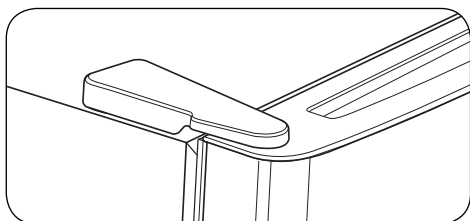


Coloque el Pivote de Bisagra Superior en la parte superior de la puerta del congelador y alinee la Bisagra Superior con los orificios en la parte superior del refrigerador. Utilice los 3 tornillos para volver a poner la Bisagra.

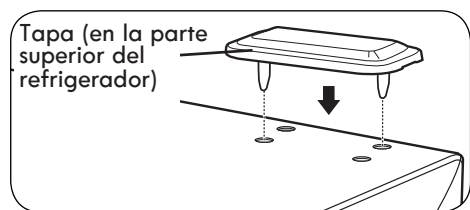
## INSTALACIÓN DEL REFRIGERADOR



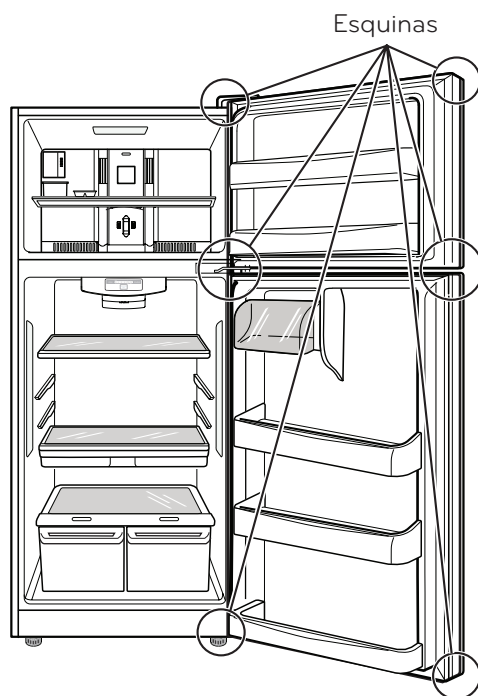
Ajuste los tornillos. Con fuerza ajuste la Tapa de la Bisagra Superior sobre la Bisagra Superior.



Reemplace la tapa del lado izquierdo del refrigerador al lado derecho superior para cubrir los orificios. La tapa también se ajusta con fuerza.



Asegúrese que las cuatro esquinas del empaque de la puerta no estén dobladas. Para cerciorarse de un buen sellado, aplique una pequeña cantidad de silicon en la junta.



## USO DEL REFRIGERADOR

### CIERRE Y ALINEACIÓN DE PUERTAS

Su refrigerador cuenta con tres tornillos niveladores: uno en el lado izquierdo y otro en el lado derecho. Si su refrigerador se encuentra inestable o si Ud. desea que las puertas cierren más fácil, ajuste la inclinación del refrigerador realizando lo siguiente:

**Nota:** El tercer tornillo nivelador es usado para proteger la bisagra de la parte de abajo de la puerta.

1. Conecte el refrigerador a un enchufe de 3 terminales. Mueva el refrigerador a su posición final.
2. Use un desarmador plano para ajustar los tornillos niveladores (Vea Figura A), en el sentido de las manecillas del reloj para elevar y en contra de las manecillas del reloj para bajarlo. Se deberán dar las vueltas necesarias para ajustar a la inclinación deseada.

**NOTA:** Para facilitar la nivelación, haga que alguien levante un poco la parte superior del refrigerador; esto quitará algo de peso sobre los tornillos niveladores.

3. Abra ambas puertas y asegúrese que cierren con facilidad. Si no, incline un poco más el refrigerador hacia atrás, girando los tornillos niveladores a favor de las manecillas del reloj. Esto puede tomar varias vueltas, y deberá girar las mismas veces en ambos lados.

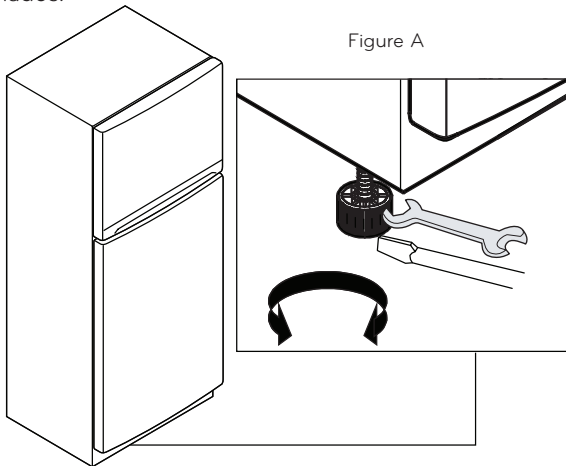


Figure A

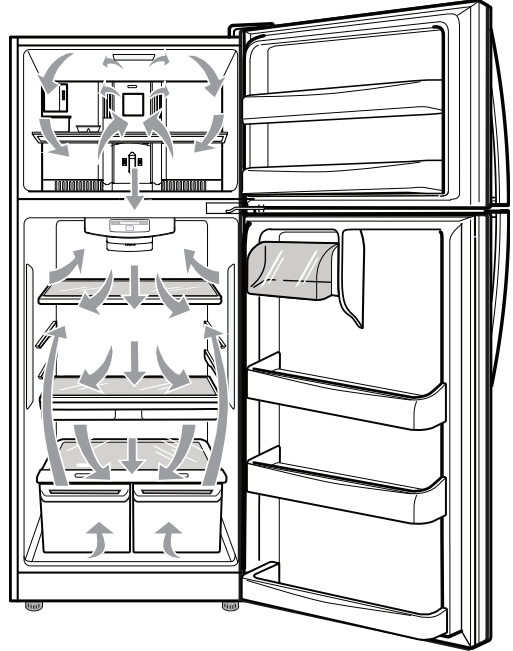
### ALINEACIÓN DE LAS PUERTAS

Si el espacio entre sus puertas es desigual, siga las siguientes instrucciones para la alineación de las puertas:

1. Quite la cubierta de la bisagra superior.
2. Afloje los tornillos de la bisagra superior usando una llave inglesa o de boca tubular de 10 mm.
3. Ponga una persona para sostener la puerta en su lugar o coloque entre las puertas algo que mantenga el espacio mientras usted ajusta los tornillos de la bisagra superior.
4. Coloque la cubierta de la bisagra superior.

### CIRCULACIÓN APROPIADA DEL AIRE

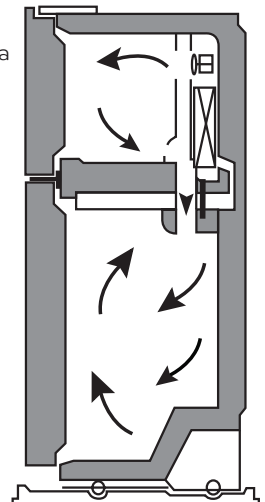
Para obtener temperaturas estables, el aire debe fluir entre las secciones del congelador y refrigerador. Como se muestra en la ilustración de abajo, el aire frío entra a través de la parte inferior y circula hacia arriba, este aire regresa por debajo del piso del congelador y el resto del aire entra a la sección del refrigerador a través de la ventila superior.



**No bloquee ninguna de estas ventilas con paquetes de comida. Si las ventilas se bloquean, el flujo de aire se interrumpe, lo que puede ocasionar problemas de humedad.**

**IMPORTANTE:** Debido a que el aire circula entre ambas secciones del refrigerador, los olores pueden transferirse fácilmente, Ud. debe limpiar ambas secciones para eliminar olores. Para prevenir la transferencia de olores o resequedad en los alimentos, cubra adecuadamente la comida. (Para mayores detalles, vea la Sección "Guía para Almacenar Alimentos").

**NOTA:** Si usted cierra la puerta del compartimento de alimentos frescos, aplicando más fuerza de la necesaria, puede abrirse y cerrarse otra vez la puerta del congelador, esto debido al flujo de aire interno del refrigerador.



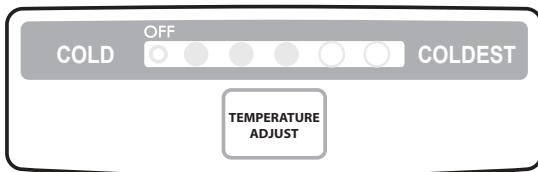
## USO DEL REFRIGERADOR

### AJUSTE DE LOS CONTROLES

- Su refrigerador cuenta con dos controles que le permiten regular la temperatura en los compartimentos del refrigerador y congelador.

#### • Control del Refrigerador

Fije inicialmente el Control del Refrigerador en el ajuste medio. Presione el botón de TEMPERATURE ADJUST hasta que alcance la posición media (el tercer LED se enciende). Deje el refrigerador en este ajuste por 24 horas para alcanzar la temperatura correcta. Después de 24 horas, ajuste el compartimento de temperatura como Ud. lo desee. Siempre espere mínimo 24 horas antes de ajustar la temperatura. Si requiere ajustar el compartimento del refrigerador a un modo de temperatura menos frío que el actual, continúe presionando el botón de TEMPERATURE ADJUST hasta que se encienda el LED indicado.



#### • Demostración (Para uso exclusivo de la Tienda)

El modo demostración deshabilita el sistema de enfriado; únicamente las lámparas y el control de temperatura trabajan correctamente.

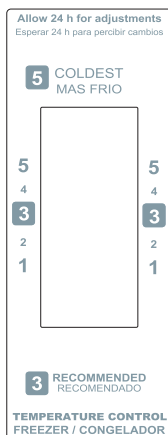
#### Para deshabilitar:

Para deshabilitar presiona el botón TEMPERATURE ADJUST hasta llegar al nivel deseado de temperatura y la luz de OFF se apague.

#### • Control del Congelador

El Control del Congelador debe de venir de fábrica en el ajuste medio, número 3. Espere 24 horas antes de ajustar la temperatura del compartimento del congelador y variarla. Gire la perilla para el ajuste de la temperatura del congelador como desee. Siempre espere 24 horas después de cualquier cambio para alcanzar la temperatura deseada.

**NOTA:** Fijando un número mas alto en el congelador, la temperatura del compartimento del congelador llega a ser más fría.



### CÓMO REGULAR LOS AJUSTES DEL CONTROL

Antes de introducir alimentos a su refrigerador, deje que éste se enfríe primero, dejando pasar 24 horas desde el momento en que usted conecta el refrigerador. El ajuste medio indicado en la sección anterior corresponde a un enfriamiento normal de un refrigerador. Los controles han sido ajustados de manera correcta, de tal forma que la leche y jugo se encuentren tan fríos como usted lo desea y los helados (mantecados) tienen una consistencia firme.

El control del refrigerador funciona como un termostato (para las secciones del refrigerador y congelador).

Mientras más alto se encuentre el ajuste, mayor será el tiempo de operación del compresor para mantener las temperaturas más frías. El control del congelador ajusta el flujo de aire frío del congelador hacia el refrigerador.

Si Ud. necesita ajustar las temperaturas en el refrigerador o congelador, comience ajustando el refrigerador.

Espere 24 horas antes de realizar éste ajuste para verificar la temperatura del congelador. Si ésta se encuentra tibia o muy fría, entonces ajuste el control del congelador.

Use los ajustes mostrados en la lista de la siguiente pagina como guía para realizar cambios.

## USO DEL REFRIGERADOR

CONDICIÓN/RAZÓN:	AJUSTE RECOMENDADO:
<p><b>La sección del REFRIGERADOR se encuentra "tibia"</b></p> <ul style="list-style-type: none"> <li>• Se abre la puerta frecuentemente</li> <li>• Se almacena gran cantidad de alimentos.</li> <li>• La temperatura ambiente es muy alta</li> </ul>	<p>Ajuste el control del <b>REFRIGERADOR al siguiente dígito superior, espere 24 horas y verifique.</b></p>
<p><b>La sección del CONGELADOR se encuentra "tibia"/ Los hielos no se forman rápidamente</b></p> <ul style="list-style-type: none"> <li>• Se abre la puerta frecuentemente</li> <li>• Se almacena gran cantidad de alimentos.</li> <li>• La temperatura ambiente es muy baja (no se realizan ciclos suficientemente frecuentes).</li> <li>• Se utilizan hielos muy frecuentemente.</li> <li>• El difusor de aire se ha bloqueado con algunos artículos.</li> </ul>	<p>Ajuste el control del <b>CONGELADOR al siguiente dígito superior, espere 24 horas y verifique.</b></p>
<p><b>La sección del REFRIGERADOR está muy fría</b></p> <ul style="list-style-type: none"> <li>• El control no se encuentra ajustado a las condiciones deseadas.</li> </ul>	<p>Ajuste el control del <b>REFRIGERADOR al siguiente dígito inferior, espere 24 horas y verifique.</b></p>
<p><b>La sección del CONGELADOR está muy fría</b></p> <ul style="list-style-type: none"> <li>• El control no se encuentra ajustado a las condiciones deseadas.</li> </ul>	<p>Ajuste el control del <b>CONGELADOR al siguiente dígito inferior, espere 24 horas y verifique.</b></p>

## GUÍA PARA ALMACENAR ALIMENTOS

ARTÍCULOS	CÓMO ALMACENARLOS
<b>Alimentos Frescos</b>	Guarde o envuelva los alimentos en recipientes cerrados o bolsas que eviten la entrada de aire y humedad. Esto evitará que los olores y sabores de los alimentos se transfieran dentro del refrigerador.
<b>Mantequilla o Margarina</b>	Mantenga la mantequilla cubierta en un recipiente o en el compartimento cerrado. Cuando desee almacenar una mayor cantidad, envuélvala y guárdela en el congelador.
<b>Queso</b>	Guarde el queso en su envoltura original hasta que se desee usarlo. Una vez abierto, envuélvalo firmemente con envoltura plástica o papel aluminio.
<b>Leche</b>	Limpie los cartones de leche; para un mejor almacenaje, colóquela en una charola interior, no en una de la puerta.
<b>Huevos</b>	Guárdelos en su empaque original o en el recipiente para huevos.
<b>Fruta</b>	Lave y deje secar la fruta. Después guárdela en bolsas de plástico dentro del refrigerador. No lave o enjuague las moras hasta que estén listas para consumirse. Las moras deben de ser seleccionadas y guardadas en su empaque original (si lo hay) o en una bolsa de papel a medio cerrar dentro de uno de los cajones.
<b>Vegetales con Hojas</b>	Quite la envoltura original y remueva de los vegetales aquellas partes sucias o descoloridas. Lávelos con agua fría y escúrralos. Colóquelos en una bolsa o contenedor plástico y guárdelos en el cajón de vegetales del refrigerador.
<b>Vegetales con Piel (pimiento, zanahoria)</b>	Colóquelos en bolsas o contenedores plásticos dentro del cajón de vegetales del refrigerador.
<b>Pescado</b>	Consuma los pescados y mariscos el mismo día que los adquirió.
<b>Carne</b>	Conserve la carne en su empaque original, el cual no debe permitir la entrada de aire y humedad. Si es necesario, envuelva de nuevo.
<b>Sobras de Alimentos</b>	Cubra las sobras con envoltura de plástico o papel aluminio. También puede usar contenedores plásticos con tapas firmes.

## USO DEL REFRIGERADOR

### PARA GUARDAR ALIMENTOS CONGELADOS

**NOTA:** Para mayor información acerca de cómo preparar los alimentos para congelarlos así como para ver el tiempo que pueden ser almacenados, consulte una guía sobre congelamiento o una guía para cocinar.

#### Empaque

Una buena congelación depende de un empaque correcto. Cuando usted cierra y sella el empaque, no permitirá el acceso de aire y humedad a los alimentos. Un mal empaque resultará en la transmisión de olores y sabores dentro del refrigerador, así como la resequedad de los alimentos congelados.

#### Recomendaciones de Empaque:

- Usar contenedores plásticos con tapas rígidas.
- Utilizar envases o jarras de superficies lisas.
- Empacar con papel aluminio de alta resistencia.
- Envolver con papel revestido con plástico.
- Utilizar plástico impermeable.
- Usar bolsas de plástico especiales para congelar.

Siga las instrucciones del empaque o recipiente para lograr un mejor congelamiento.

#### No utilice:

- Envolturas del pan.
- Recipientes de plástico que no sean de polietileno.
- Recipientes sin tapas rígidas o firmes.
- Papel encerado o plástico encerado.
- Envolturas delgadas o poco permeables.

#### Congelamiento

**IMPORTANTE:** No guarde botellas en el compartimento del congelador; ya que podrían estallar al congelarse y causar daños.

Su refrigerador no congelará rápidamente cualquier cantidad excesiva de alimentos. No introduzca una cantidad mayor de alimentos sin congelar de la que pueda congelarse dentro de 24 horas (no más de 2 a 3 libras ó ,91 kg a 1,36 kg de alimento por pie cúbico del espacio en el congelador). Deje el suficiente espacio en el congelador para que el aire circule alrededor de los paquetes. Deje suficiente espacio al frente para que la puerta cierre sin dificultad.

Los tiempos de almacenaje pueden variar de acuerdo a la calidad y tipo de comida, el tipo de empaque o envoltura usada (a prueba de humedad y aire) y a la temperatura de almacenaje. Los cristales de hielo formado dentro de un empaque cerrado son normales, lo que indica que la humedad de los alimentos y el aire contenido dentro del empaque se han condensado.

**NOTA:** Deje que los alimentos calientes se enfríen a temperatura ambiente durante 30 minutos, después envuélvalos con los métodos mencionados y congélelos. Al enfriar los alimentos calientes antes de introducirlos al congelador, Ud. ahorra energía.

### ADVERTENCIA

#### PELIGRO DE SOFOCAMIENTO

Ventile adecuadamente la habitación cuando utilice hielo seco. El hielo seco es Dióxido de Carbono (CO<sub>2</sub>) congelado. Cuando se evapora, éste emana Oxígeno, causando mareos, dolores de cabeza leves, inconciencia o muerte por sofocamiento. Abra una ventana y no inhale estos vapores.

# USO DEL REFRIGERADOR

## ESTANTES DEL REFRIGERADOR

Los estantes en su refrigerador son ajustables para cumplir con sus necesidades de almacenamiento. Todos los estantes en esta unidad son de cristal.

Almacenar artículos similares juntos en su refrigerador y ajustar los estantes para los diferentes tamaños de ciertos artículos hará que su búsqueda de un artículo específico sea más fácil; también reducirá el tiempo que la puerta del refrigerador se queda abierta, ahorrando energía.

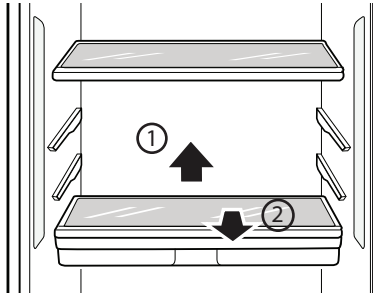
**IMPORTANTE:** No limpie los estantes de cristal con agua tibia cuando estén fríos. Pueden romperse si se exponen a un cambio súbito de temperatura o impacto como el de un tropiezo. Para su protección, los estantes de cristal están hechos con cristal templado, que se rompe en pequeños pedazos.

**NOTA:** Los estantes de cristal son pesados. Utilice cuidado especial al sacarlos para evitar que se le caiga.

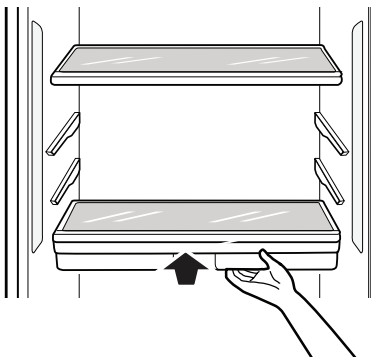
### Estantes Ajustables

Cambie los estantes de la posición de envío, a la posición que desea.

Para sacar un estante: Levante la parte de atrás del estante y jale el estante hacia afuera.

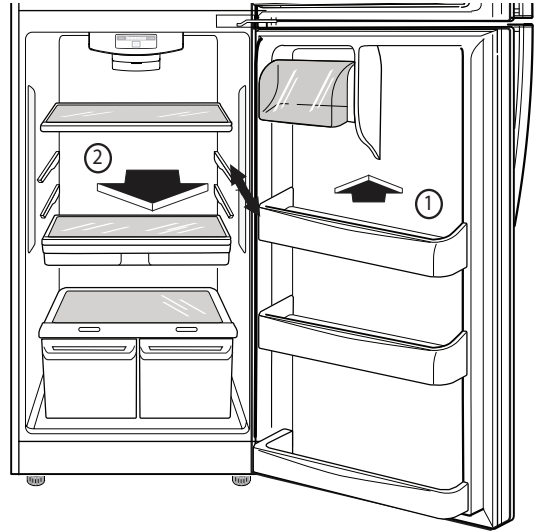


Para cambiar de lugar un estante: Deslice el estante hasta que pare.

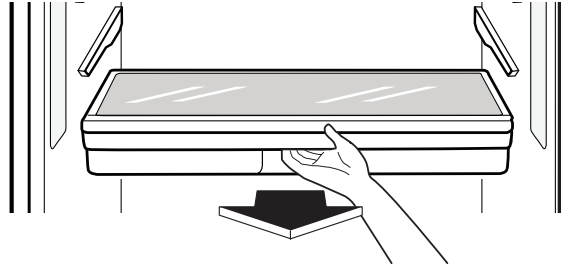


## CAJÓN DE CARNES FRÍAS

Para remover el cajón de carnes frías:



Aguante la gaveta por la manija, jale hacia al frente hasta que pare la gaveta, levante y saque.



Para colocar el cajón de carnes frías:

Deslice el cajón hacia atrás hasta que tope.

## RECIPIENTE PARA HIELO

(En algunos modelos)

- Vierta agua potable hasta el nivel indicado en la imagen. No lo desborde de agua, o los cubos de hielo serán difíciles de sacar.

- Para congelar rápidamente, ajusta el disco del congelador a 3.

Para sacar los cubos de hielo, tuerza el recipiente:

- No doble el recipiente para hielo. Hacerlo resultaría en daño al recipiente.

- Para sacar fácilmente los cubos de hielo, vierta agua en la parte de atrás del recipiente o remoje en agua antes de sacar los hielos.



# USO DEL REFRIGERADOR

## CAJÓN CON CONTROL DE HUMEDAD

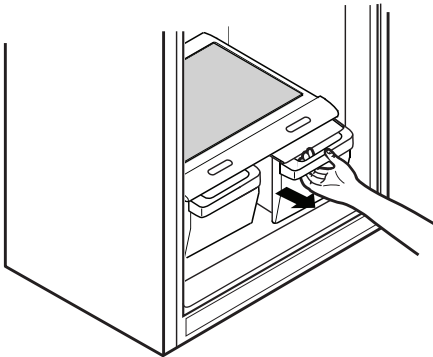
Los cajones para verduras mantienen el sabor y la frescura de la fruta y la verdura al permitir controlar fácilmente la humedad dentro del cajón.

Para controlar la cantidad de humedad en los cajones para verduras con sellado antihumedad, ajuste el control en cualquier posición entre **VEGETABLES** (verdura) y **FRUIT** (fruta).

- **VEGETABLES** mantiene un aire húmedo en el cajón para un mejor almacenamiento de las verduras frescas y de hoja.
- **FRUIT** mantiene el aire húmedo fuera del cajón para un mejor almacenamiento de la fruta.

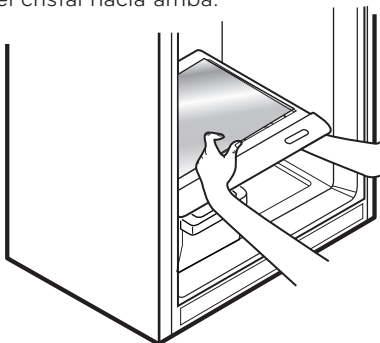
## DESMONTAJE DEL CAJÓN CON CONTROL DE HUMEDAD:

1. Jale la gaveta de la sección del compartimiento de verduras hasta el punto de detención..
2. Levante la gaveta y hale hacia usted para sacarla.
3. Para volverla a colocar, deslice la gaveta completamente hacia atrás pasar el punto de detención.



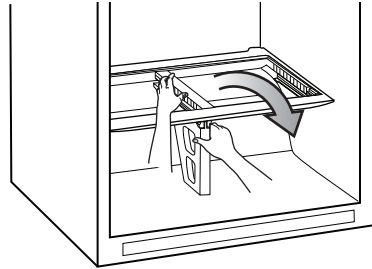
## Para sacar el cristal del compartimiento de verduras:

1. Saque las gavetas del compartimiento de verduras..
2. Para sacar el cristal encima del compartimiento de verduras, alcance llegar por debajo del cristal y levante.
3. Saque el cristal hacia arriba.



## Para sacar la tapa del compartimiento de verduras:

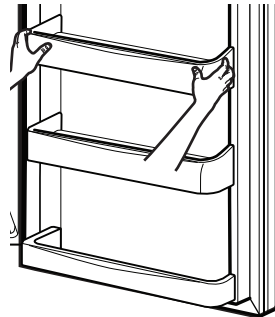
1. Saque ambas gavetas del compartimiento.
2. Sacar el cristal del compartimiento de verduras.
3. Mientras sujeta el soporte y la tapa del compartimiento de verduras, jale ambos hacia arriba y hacia afuera



## ANAQUELES EN LA PUERTA DEL REFRIGERADOR

Los anaqueles de puerta se pueden sacar para fácil limpieza.

1. Para sacar los anaqueles, empuje los lados del anaquel mientras levanta. El anaquel saldrá fácilmente.

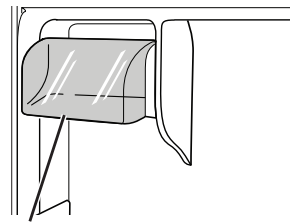


2. Para volver a colocar los anaqueles, empuje hacia adentro y hacia abajo en el set de soportes deseados.

NOTA: Algunos contenedores pueden variar en apariencia y sólo encajan en un solo lugar.

## COMPARTIMIENTO DE LÁCTEOS

1. Para sacar el compartimiento de lácteos, simplemente levante y saque.
2. Para volverlo a colocar, deslícelo sobre las ranuras de soporte deseadas y empuje hasta que se detenga.





## CUIDADO DE SU REFRIGERADOR

### ⚠ ADVERTENCIA

#### PELIGRO DE EXPLOSIÓN



Utilice limpiadores no inflamables. No seguir ésta instrucción puede ocasionar la muerte, explosión o incendio.

Tanto el refrigerador como el congelador realizan deshielo automático, a pesar de esto, limpie ambas secciones una al vez al mes para prevenir la formación de olores. Limpie los derrames de líquidos inmediatamente.

### PARA LIMPIAR SU REFRIGERADOR

- Desconecte su refrigerador.
- Quite todas las partes desmontables del interior, tales como las parrillas, compartimentos para verduras, etc.
- Use una esponja limpia o un trapo suave con un poco de detergente con agua tibia. No use limpiadores abrasivos o detergentes concentrados.
- Lave a mano, enjuague y seque las superficies.
- Enchufe el refrigerador o vuelva a conectar el suministro eléctrico.

### EXTERIOR

Encere las superficies exteriores pintadas de metal para brindarles mayor protección, realice esta acción con cera para electrodomésticos (o cera suave para automóviles) y aplíquela con un trapo suave y limpio; hágalo al menos 2 veces por año.

Para productos con exterior de acero inoxidable, utilice una esponja limpia o un trapo suave con detergente en agua tibia; seque la superficie con una franela suave. No use limpiadores abrasivos o concentrados.

**NOTA:** Evite el contacto de la superficie de la puerta con productos químicos que contengan fosfatos o cloros.

### INTERIOR (permítale al congelador calentarse un poco para que el trapo no se pegue)

Para eliminar olores, limpie el interior del refrigerador con una mezcla de polvo para hornear (Royal) y agua tibia. Mezcle 2 cucharadas de polvo para hornear en agua (26 gr de soda por cada litro de agua). Asegúrese que el polvo para hornear (soda) se disuelva por completo para que no raye las superficies del refrigerador.

### PUERTAS Y EMPAQUES (SELLOS)

Para la limpieza de éstos, no utilice ceras limpiadoras, detergentes concentrados, blanqueadores o limpiadores que contengan partes plásticas de petróleo.

### PARTES PLÁSTICAS (Cubiertas y Paneles)

No utilice toallas de papel, aspersores para vidrio, limpiadores abrasivos o fluidos inflamables, éstos pueden rayar o dañar el material.

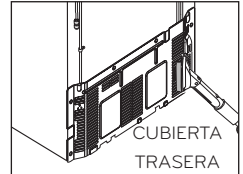
### CUBIERTA TRASERA

### ⚠ ADVERTENCIA

#### PELIGRO DE CHOQUE ELÉCTRICO

Antes de comenzar, desenchufe el refrigerador o desconecte la corriente de electricidad en el cortacorriente o caja de fusibles. No seguir estas instrucciones puede ocasionar la muerte o una lesión severa.

**NOTA:** La tapa posterior solo debe ser removida por un técnico calificado. Para un funcionamiento eficiente de su refrigerador, limpie la cubierta por lo menos 2 veces al año.



### CÓMO CAMBIAR LAS LUCES (LED)

Las luces del compartimento refrigerador y el congelador son LED iluminación interior, y el servicio debe ser realizado por un técnico calificado.

### ⚠ ADVERTENCIA

#### PELIGRO DE CHOQUE ELÉCTRICO

Antes de reemplazar la luces (LED) de un compartimento, desenchufe el refrigerador o corte la corriente en el disyuntor o en la caja de fusibles.

## CUIDADO DE SU REFRIGERADOR

### INTERRUPCIONES DE ENERGÍA

1. Si se desconecta la energía de su hogar, llame a su compañía de energía y pregunte cuánto tiempo durará sin suministro eléctrico.
2. Si no habrá energía en las próximas 24 horas o menos, mantenga las puertas del refrigerador cerradas, para que los alimentos se mantengan fríos y congelados.
3. Si no habrá energía por más de 24 horas, use alguna de las siguientes opciones:
  - Saque todos los alimentos congelados y guárdelos en una hielera.
  - Coloque en el congelador 2 lbs (907 g) de hielo seco por cada pie cúbico (28 L) del espacio del congelador. Esto ayudará a que los alimentos congelados duren así de 2 a 4 días. Utilice guantes para manejar el hielo seco, ya que puede sufrir quemaduras.
  - Si no cuenta con hielo seco o hielera, consuma lo antes posible los alimentos perecederos.

**RECUERDE:** Un congelador lleno se mantiene más tiempo frío que uno parcialmente lleno. Un congelador lleno de carne se mantiene más tiempo frío que uno que contenga pastelillos u otros alimentos horneados.

Si usted observa que los alimentos tienen cristales de hielo, éstos pueden volver a congelarse sin problema, aunque la calidad y sabor pueden variar. Si los alimentos no se encuentran en buenas condiciones o Ud. cree que no es saludable ingerirlos, deséchelos.

### CUIDADOS DURANTE LAS VACACIONES

Si Ud. decide dejar el refrigerador funcionando mientras está ausente, siga estos pasos para preparar su refrigerador antes de irse.

1. Consuma todos los artículos perecederos y congele el resto.
2. Vacíe el recipiente para hielos.

Si Ud. decide apagar el refrigerador antes de irse, siga estos pasos:

1. Saque toda la comida del refrigerador.
2. Desconecte su refrigerador.
3. Limpie el refrigerador, enjuáguelo y séquelo bien.
4. Fije bloques de goma o de madera con cinta adhesiva a ambas puertas para que queden abiertas y el aire circule. Esto evita que se formen olores y que crezcan hongos.

### CUIDADOS CUANDO USTED SE MUDA

Si Ud. muda su refrigerador a una casa nueva, siga los siguientes pasos para prepararse para la mudanza.

1. Saque toda la comida del refrigerador y empaque los alimentos congelados con hielo seco.
2. Desconecte su refrigerador.
3. Vacíe el agua de la bandeja colectora.
4. Limpie y seque con un trapo.
5. Saque todas las partes desmontables, envuélvalas bien y asegúrelas con cinta adhesiva para que no se sacudan durante la mudanza.
6. Según el modelo, levante la parte delantera del refrigerador para que ruede con facilidad o atornille las patas niveladoras para no rayar el piso. Consulte la sección **"Cierre y Alineación de Puertas"**.

7. Sostenga las puertas cerradas y el cable pegado al gabinete del refrigerador con cinta adhesiva.

Cuando llegue a la casa nueva, ponga todo de nuevo y lea la sección **"Instalación del Refrigerador"** para obtener instrucciones de preparación. Además, si su refrigerador tiene fábrica de hielo automática, recuerde volver a conectar el suministro de agua al refrigerador.

## ACERCA DE LA FÁBRICA DE HIELO AUTOMÁTICA

**NOTA:** La Fábrica de Hielos Automática la incluyen solo algunos modelos. Revise la especificación del suyo.

### ⚠ ADVERTENCIA

#### PELIGRO DE DAÑOS PERSONALES

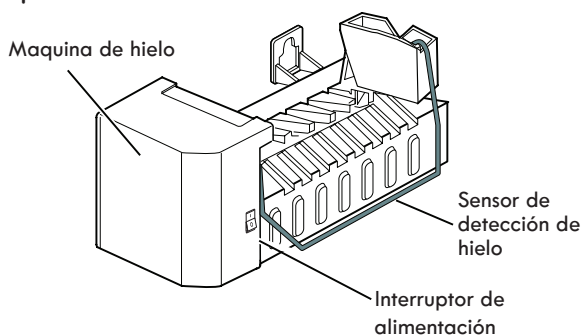
Evite el contacto con las partes móviles del mecanismo expulsor o con el calentador que libera los cubos. NO introduzca los dedos en la fábrica de hielo automática cuando el refrigerador se encuentra conectado.

### INSTRUCCIONES DE OPERACIÓN

Después de instalar su refrigerador, se empezará a fabricar hielo al pasar entre 12 y 24 horas.

#### Identifique su tipo de Fábrica de Hielo

##### Tipo 1



La fábrica de hielos produce 8 cubos por ciclo (entre 60 y 95 cubos en un período de 24 horas), dependiendo de la temperatura del compartimento del congelador, el número de veces en las que se abre la puerta y otras condiciones de uso.

Si el refrigerador es operado antes de que haya hecho la conexión de agua de la fábrica de hielos, Ud. Debe accionar el interruptor a la posición de **O** (apagado).

Cuando ya se hayan realizado las conexiones de agua, accione el interruptor a la posición **I** (encendido).

La fábrica de hielos se llenará de agua entre 12 y 24 horas después de que su refrigerador fue instalado correctamente, transcurrido este lapso empezará la fabricación de hielos

Tire los primeros hielos que salgan de la fábrica de hielos para así limpiar la tubería de agua. Asegúrese de que nada interfiere con el brazo sensor. Cuando el recipiente se llena al nivel del brazo sensor, la fábrica de hielo dejará de producir cubos.

Es normal que algunos cubos queden pegados; si el hielo no se usa frecuentemente, los hielos viejos estarán opacos, con sabor extraño y más pequeños.

### UD. DEBE ACCIONAR EL INTERRUPTOR A LA POSICIÓN O (OFF, APAGADO)

- Cuando el suministro de agua sea interrumpido por varias horas.
- Cuando el recipiente de hielos se encuentre fuera de su lugar por más de 1 ó 2 minutos.
- Cuando el refrigerador no vaya a ser usado por varios días.

### SONIDOS NORMALES

- La válvula emitirá un zumbido cuando llene de agua la fábrica de hielos. Si el interruptor se encuentra en la posición de encendido, el zumbido seguirá escuchándose aún y cuando no se haya conectado la tubería de agua. Para evitar este sonido, accione el interruptor a la posición **O** (apagado).

**NOTA:** La fábrica de hielos se puede dañar si se mantiene accionado el interruptor en la posición **I** (encendido) antes de haber conectado a la tubería de agua.

- Mientras la fábrica de hielos se llena de agua y expulsa los hielos Ud. escuchará ruidos de hielos caer y agua fluir por las tuberías.

### PREPARÁNDOSE PARA LAS VACACIONES

Accione el interruptor de la fábrica de hielos a la posición **O** (apagado) y corte el suministro de agua al refrigerador. Si la temperatura ambiente se encuentra en el punto de congelación del agua, haga que un técnico especializado drene el suministro de agua y las tuberías interiores del refrigerador (en algunos modelos) para evitar daño debido a conexiones o tuberías rotas.

# CÓMO CONECTAR LA TUBERÍA DE AGUA

**NOTA:** La línea de agua es necesaria instalarla cuando las características de los dispensadores de agua y/o hielo están disponibles en su producto.

## ANTES DE COMENZAR

La instalación de la tubería de agua no está garantizada por el fabricante del refrigerador o de la fábrica de hielos. Siga las instrucciones cuidadosamente para minimizar el riesgo de daños al producto.

El aire en la tubería de agua puede provocar martilleos en las conexiones, lo que puede causar daños a las tuberías internas del refrigerador o derrame de agua al interior. Llame a un plomero calificado para corregir los martilleos en las conexiones antes de instalar la tubería de agua.

Para evitar quemaduras y daños al producto, no conecte su refrigerador a las tuberías de agua caliente.

Si usa su refrigerador antes de conectar el suministro de agua, asegúrese de que la fábrica de hielo se encuentra en la posición **O** (apagado).

No instale las tuberías de la fábrica de hielos en áreas en las cuales la temperatura ambiente se encuentre bajo el punto de congelación del agua.

Cuando utilice cualquier dispositivo eléctrico (como un taladro) durante la instalación, asegúrese de que el dispositivo esté doblemente aislado o conectado a tierra para prevenir el riesgo de choque eléctrico.

Toda instalación deberá hacerse de acuerdo con los requerimientos locales de agua y drenaje.

- Si un sistema de filtración de agua por ósmosis inversa está conectado al suministro de agua fría, la instalación de la manguera no se garantiza por el fabricante del refrigerador o de la fábrica de hielo automática. Siga las siguientes instrucciones cuidadosamente para minimizar el riesgo de daños costosos por agua.
- Si un sistema de filtración de agua por ósmosis inversa está conectado al suministro de agua fría, la presión del agua para el sistema de ósmosis inversa debe tener un mínimo de 40 a 60 PSI ó 0,27 MPa a 0,41 MPa (2,8 kg · f / cm<sup>2</sup> ~ 4,2 kg · f / cm<sup>2</sup>, menos de 2 ~ 3 segundos para llenar una taza de 7 oz de capacidad [0,2 litros]).
- Si la presión del agua del sistema de ósmosis inversa es menor de 21 PSI ó 0,14 MPa (1,5 kg · f / cm<sup>2</sup>, más de 4 segundos para llenar una taza de 7 oz de capacidad [0,2 litros]):
  - a) Compruebe si está bloqueado el filtro de sedimentos en el sistema de ósmosis inversa. Reemplace el filtro si es necesario.
  - b) Permitir que el tanque de almacenamiento del sistema de ósmosis inversa se rellene después de un uso intenso.
  - c) Si el problema sobre la presión de agua de ósmosis inversa se mantiene, llame a un plomero calificado.

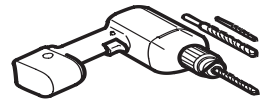
## REQUERIMIENTOS

- **Tubería de Cobre de 1/4" (6,35 mm)** de diámetro para conectar el refrigerador a la tubería de agua. Asegúrese que ambas terminales se corten cuadradas.



Para determinar cuánta tubería puede necesitar, mida la distancia desde la válvula que se encuentra en la parte de atrás del refrigerador, hasta el suministro de agua. Después sume 8 pies (2,4 m). Asegúrese de que exista suficiente tubería extra para permitir el libre movimiento del refrigerador desde la pared.

- **Un suministro de agua fría.** La presión del agua debe estar entre 0,138 y 0,82 MPa o 20 y 120 PSI en los modelos que no cuenten con filtro de agua y entre 0,276 y 0,82 MPa o 40 y 120 PSI en los modelos que cuenten con filtro de agua.

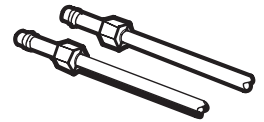


- **Taladro.**

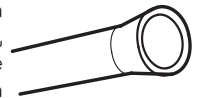
- **Llave Ajustable de 1/2 " (12,7 mm).**

- **Desatornillador plano y tipo Phillips (Estrella).**

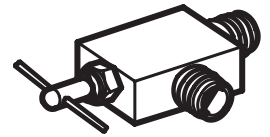
- **Dos tuercas de compresión de 1/4" (6,35 mm)** de diámetro con 2 mangas para conectar la tubería de cobre a la válvula del refrigerador.



Si su tubería de cobre actual cuenta con alguna reducción en los extremos, necesitará un adaptador (disponible en las ferreterías) para conectar la línea de agua al refrigerador. También puede cortar la reducción con un cortador de tubo y después utilizar las conexiones de compresión arriba mencionadas.



- **Válvula de paso** para conectar a la línea de agua fría. La válvula debe tener una entrada de agua con un diámetro mínimo interior de 5/32" (3,46 mm) en el punto de conexión del AGUA FRÍA. Estas válvulas se pueden encontrar en cualquier paquete de conexión de agua. Antes de comprar, asegúrese de que la válvula cumpla con los reglamentos locales.



## INSTRUCCIONES DE INSTALACIÓN

Instale la válvula en la tubería donde Ud. frecuente ingerir agua.

**⚠ PRECAUCIÓN:** Conectar solamente al suministro de agua potable.

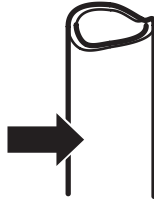
### 1. CIERRE EL SUMINISTRO PRINCIPAL DE AGUA

Abra la llave más cercana para dejar fluir el agua y vaciar las tuberías.

# CÓMO CONECTAR LA TUBERÍA DE AGUA

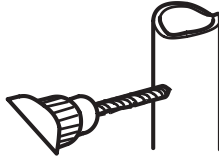
## 2. SELECCIONE LA LOCALIZACIÓN DE LA VÁLVULA

Seleccione la localización para la válvula que mejor se le facilite el acceso. Es mejor conectar en una tubería vertical. Cuando sea necesario conectar en una tubería horizontal, haga la conexión en la parte superior o lateral, en vez de hacerlo en la parte inferior, para prevenir la acumulación de sedimentos.



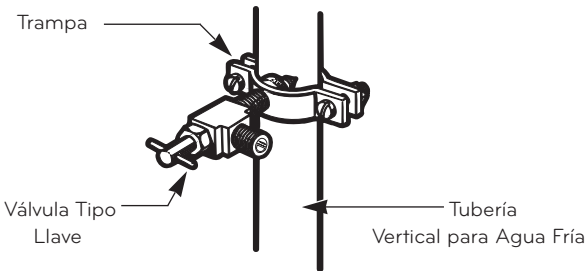
## 3. TALADRE UN ORIFICIO PARA LA VÁLVULA

Taladre un orificio de 1/4" (6,35 mm) diámetro en la tubería de agua. Elimine la rebaba que quede después de hacer la perforación. Tenga cuidado de que el agua no llegue al taladro. Si no realiza la perforación de 1/4" (6,35 mm) puede resultar en una producción pobre de hielo o cubos más pequeños.



## 4. APRIETE LA VÁLVULA

Apriete la válvula a la tubería de agua fría con una trampa para tubos.

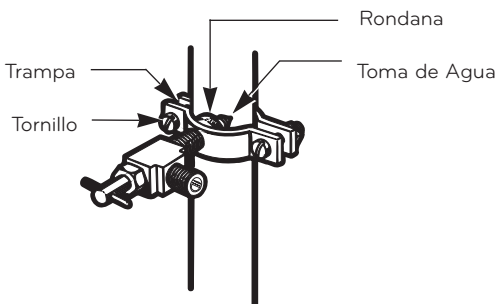


**NOTA:** Los códigos de tubería 248CMR del estado de Massachusetts deben estar adheridos a la conexión. Las válvulas de este tipo están prohibidas en Massachusetts. Consulte con su plomero autorizado por las normas y regulaciones de su país.

## 5. APRIETE LA TRAMPA

Apriete la trampa hasta que la rondana selladora empiece a agrandarse.

**NOTA:** No apriete de más, ya que podría romper la tubería.



## 6. ACOMODE LA TUBERÍA

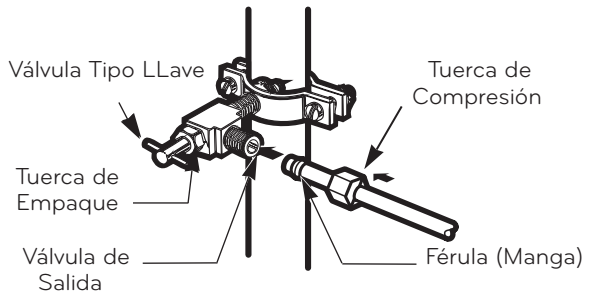
Acomode la tubería entre la línea de agua fría y el refrigerador.

Acomode la tubería a través de una perforación hecha en la pared o piso (detrás del refrigerador o a un lado del gabinete) tan cerca de la pared como sea posible.

**NOTA:** Asegúrese de que exista suficiente tubería extra (unos 8 pies [244 mm] enrollados en 3 vueltas de 10" [25 cm] de diámetro) para permitir al refrigerador moverse fuera de la pared después de la instalación.

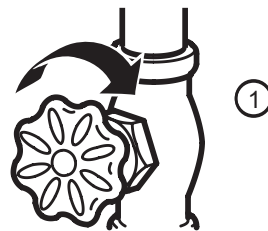
## 7. CONECTE LA TUBERÍA A LA VÁLVULA

Ponga la tuerca de compresión y la férula para la tubería de cobre al final de la tubería y conéctela a la válvula. Asegúrese que la tubería está completamente insertada en la válvula. Apriete la tuerca con precaución.

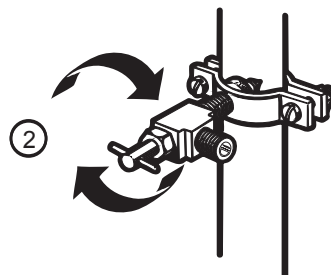


## 8. DRENE LA TUBERÍA

Abra el suministro principal de agua (1) y drene la tubería hasta que el agua esté clara.



Abra el agua en la válvula de paso (2) y cierre después de haber drenado 1/4 de galón (1L) de agua.



## CÓMO CONECTAR LA TUBERÍA DE AGUA

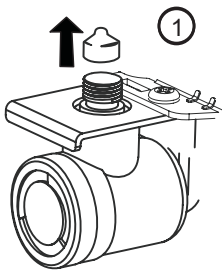
### 9. CONECTE LA TUBERÍA AL REFRIGERADOR

#### NOTAS:

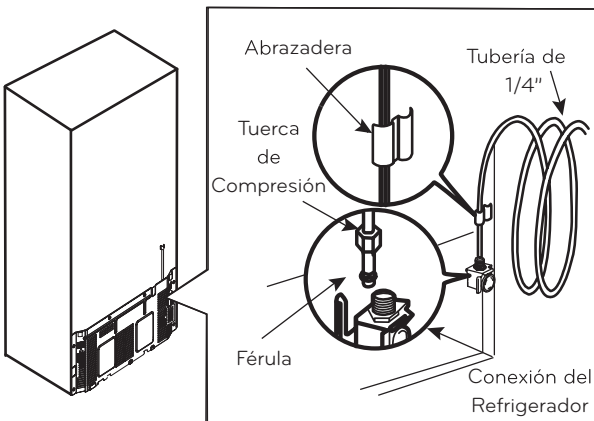
- Antes de hacer la conexión al refrigerador, asegúrese de que éste no esté conectado al suministro de energía.
- Si su refrigerador no cuenta con filtro de agua, le recomendamos que instale uno. Si su suministro de agua contiene arena o partículas que puedan ser llevadas a través de la válvula, instale un filtro de agua en la tubería cerca del refrigerador.

**IMPORTANTE:** No utilice mangueras viejas, gastadas o usadas, sólo use nuevas para hacer un mejor uso y lograr un mejor servicio. Conecte sólo al suministro de agua potable para su seguridad y salud.

Retire el tapón protector (1) de la rosca de la válvula ubicada en la parte posterior de éste.



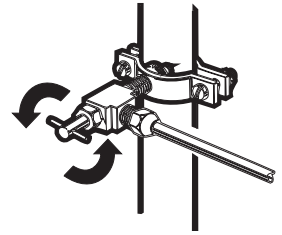
Coloque la tuerca de compresión y la férula al final de la tubería. Inserte la tubería en la válvula de conexión tan adentro como le sea posible. Apriete mientras sostiene la tubería.



Apriete el tubo de conexión (casa) al sujetador de la parte trasera del refrigerador. Primero afloje el tornillo que sostiene el sujetador. Después, inserte el tubo de conexión de casa en el orificio. Finalmente, vuelva a apretar el tornillo.

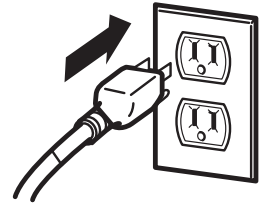
### 10. ABRA LA VÁLVULA DE PASO

Apriete todas las conexiones que tengan fugas. Vuelva a poner la cubierta de acceso al compresor.



### 11. CONECTE EL REFRIGERADOR

Arregle la tubería de agua de tal manera que ésta no pueda vibrar con el refrigerador o la pared. Empuje el refrigerador hacia la pared.



### 12. ENCIENDA LA FÁBRICA DE HIELO

Accione el interruptor de la fábrica de hielo a la posición I (encendido). La fábrica de hielo no empezará a operar hasta que alcance su temperatura de operación de 15 °F (-9 °C) o menor. Comenzará su operación automática si el interruptor se encuentra en la posición I (encendido).

# GUÍA DE SOLUCIÓN DE PROBLEMAS

## DESCRIPCIÓN DE LOS SONIDOS QUE SE PUEDEN ESCUCHAR

Es posible que su nuevo refrigerador haga ruidos que el antiguo no hacía. La mayoría de los nuevos sonidos son normales. Las superficies duras, como el suelo, las paredes y los muebles, pueden hacer que los sonidos parezcan más fuertes de lo que realmente son. A continuación, se describen los tipos de sonidos que se pueden escuchar y qué los puede estar causando.

### Clics:

El control de descongelación emitirá un "clic" al comenzar y al finalizar el ciclo de descongelación. El control del termostato (o control del refrigerador, en función del modelo) también emitirá un "clic" al iniciar o finalizar un ciclo.

### Traqueteo:

Los ruidos de traqueteos pueden proceder del flujo del refrigerante, la tubería de agua o de artículos almacenados encima del refrigerador.

### Ruido de aspas:

- El motor del ventilador del evaporador moviendo el aire a través de los compartimentos del refrigerador y del congelador.
- El ventilador del condensador forzando el paso de aire a través del condensador.
- El ventilador del compartimento de hielo en el congelador o en el lado izquierdo del refrigerador cuando las puertas están abiertas.

### Borboteo:

Al finalizar cada ciclo, es posible que oiga un sonido de borboteo causado por el refrigerante fluyendo por el sistema de refrigeración.

### Crujido:

Contracción y expansión de las paredes interiores.

### Crepitación:

El agua cayendo en el calentador de descongelación durante un ciclo de descongelación.

### Ruido de vibración:



Si el lateral o la parte posterior del refrigerador está en contacto con un mueble o una pared, algunas de las vibraciones normales pueden producir un sonido audible. Para eliminar el ruido, asegúrese de que los laterales y la parte posterior no puedan vibrar contra las paredes o los muebles.

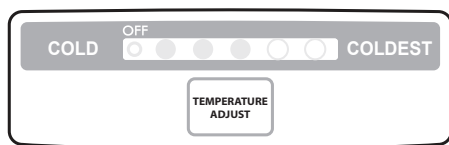
### Goteo:

El agua cayendo en la batea de drenaje durante el ciclo de descongelación.

### Sonido de pulsación o agudo:

Su refrigerador está diseñado para funcionar de forma más eficiente para conservar los alimentos a la temperatura deseada. El compresor de alta eficiencia puede hacer que su nuevo refrigerador funcione durante más tiempo que su antiguo refrigerador, y aún así será más eficiente energéticamente que los modelos anteriores. Mientras el refrigerador está en funcionamiento, es normal escuchar un sonido de pulsación o agudo.

Problema	Posibles Causas	Soluciones
<b>El refrigerador no enfría.</b>	El cable de alimentación no está enchufado.	Enchufe firmemente el cable en una toma de corriente con el voltaje adecuado (consulte Requisitos eléctricos y de conexión a tierra).
	Se ha fundido un fusible o ha saltado el disyuntor.	Sustituya el fusible o reinicie el disyuntor. Si el problema persiste, póngase en contacto con un electricista.
	El control del refrigerador está en la posición OFF.	Consulte la sección Ajuste de los controles.
	El refrigerador está en el ciclo de descongelación.	Espere unos 30 minutos a que termine el ciclo de descongelación.
	El refrigerador está en Modo demostración.	El refrigerador se ha puesto en un modo parcial (Demostración) que se encuentra en el programa que almacena. El modo demostración deshabilita el sistema de enfriado; únicamente las lámparas y el control de temperatura trabajan correctamente. Para deshabilitar presiona el botón TEMPERATURE ADJUST  hasta llegar al nivel deseado de temperatura y la luz de OFF  se apague.





## GUÍA DE SOLUCIÓN DE PROBLEMAS

Problema	Posibles Causas	Soluciones
<b>Las luces no funcionan.</b>	El cable de alimentación no está enchufado.	Enchufe firmemente el cable en una toma de corriente con el voltaje adecuado (consulte Requisitos eléctricos y de conexión a tierra).
	Se ha fundido una bombilla.	Sustitúyala con una bombilla para electrodomésticos con los mismos vatios, tamaño y forma disponible en su ferretería habitual. (Consulte la sección Sustitución de la bombilla). Desenchufe el refrigerador o corte la corriente en el disyuntor o en la caja de fusibles.  <b>NOTA:</b> La lámpara del compartimiento del refrigerador es una iluminación interior mediante LED, por lo que el mantenimiento deberá ser realizado por un técnico calificado.
<b>Ruido de vibración o traqueteo.</b>	El refrigerador no está sólidamente apoyado en el suelo.	El suelo es poco sólido o irregular, o es necesario ajustar los pies de nivelación. Consulte la sección Instalación para obtener instrucciones sobre la nivelación.
<b>El compresor parece que funciona demasiado.</b>	El refrigerador sustituido era un modelo antiguo.	Los refrigeradores modernos requieren más tiempo de funcionamiento pero consumen menos energía gracias a una tecnología más eficiente.
	La temperatura ambiente es más cálida de lo habitual.	El compresor funcionará más tiempo en condiciones calurosas. A temperaturas ambiente normales, (21 °C) el compresor debería funcionar entre el 40% y el 80% del tiempo. En condiciones más calurosas, sería esperable que funcionara incluso más a menudo. No se debería usar el refrigerador si la temperatura supera los 43 °C.
	La puerta se abre a menudo o se acaba de introducir una gran cantidad de alimentos.	Cuando se introducen alimentos o se abren las puertas, aumenta la temperatura del refrigerador, lo que obliga al compresor a funcionar más tiempo para volver a enfriar el refrigerador. Para ahorrar energía, intente sacar todo lo que necesite del refrigerador de una sola vez, mantenga los alimentos organizados para que resulte fácil encontrarlos y cierre la puerta en cuanto se saque el alimento. (Consulte la Guía para el almacenamiento de alimentos).
	El refrigerador se enchufó hace poco tiempo y el control del refrigerador se ajustó correctamente..	El refrigerador puede tardar hasta 24 horas en enfriarse completamente.
	El control del refrigerador no está correctamente ajustado para las condiciones medioambientales.	Consulte la sección Ajuste de los controles.
	Las puertas no están completamente cerradas.	Empuje firmemente para cerrar las puertas. Si no se cerraran, consulte el apartado "Las puertas no se cierran completamente" en la sección Guía para la solución de problemas.
	La tapa posterior está sucia.	Esto impide la transferencia de aire y obliga al motor a trabajar más duramente. Limpie la tapa posterior. Consulte la sección Cuidado y limpieza.



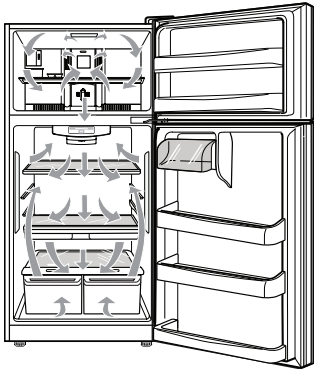
## GUÍA DE SOLUCIÓN DE PROBLEMAS

Problema	Posibles Causas	Soluciones
<b>Las puertas no se cierran completamente</b>	El refrigerador no está nivelado.	Consulte la sección Nivelación y alineación de las puertas.
	Hay paquetes de alimentos bloqueando la puerta que impiden que se cierre.	Reorganice los contenedores de alimentos para liberar la puerta y los estantes de la puerta.
	El depósito de hielo, la tapa del cajón para verduras, las bateas, los estantes, las bandejas de las puertas o las cestas no están en su sitio.	Coloque correctamente las bandejas, la tapa del cajón para verduras, las bateas, los estantes y las cestas. Consulte la sección Uso del refrigerador para obtener más información.
	Los empaques de la puerta se pegan.	Limpie los empaques de las puertas y las superficies de contacto. Aplique una fina capa de cera para electrodomésticos o cera de cocina en los empaques después de limpiarlas.
	El refrigerador se bambolea o parece inestable.	Nivele el refrigerador. Consulte la sección Nivelación y alineación de las puertas para obtener más información.
	Las puertas se desmontaron durante la instalación del producto y no se volvieron a colocar correctamente.	Desmonte y vuelva a colocar las puertas siguiendo las instrucciones de la sección Desmontaje y sustitución de las manijas y puertas del refrigerador o llame a un técnico cualificado.
<b>Escarcha o cristales de hielo sobre los alimentos congelados.</b>	La puerta no se cierra correctamente.	Consulte el apartado "Las puertas no se cierran completamente" en la sección Guía para la solución de problemas.
	La puerta se abre a menudo.	Si la puerta está abierta, el aire húmedo y caliente penetra en el congelador, produciendo escarcha.
<b>El hielo huele o sabe mal.</b>	La máquina de hielo se instaló hace poco tiempo.	Deseche las primeras tandas de hielo para evitar hielo manchado o con mal sabor.
	El hielo ha estado almacenado demasiado tiempo.	Deseche el hielo antiguo y fabrique un nuevo suministro.
	Hay alimentos que no se han envuelto herméticamente en algún compartimento.	Vuelva a envolver los alimentos ya que, si no están correctamente envueltos, los olores podrían migrar hasta el hielo.
	El suministro de agua contiene minerales como el azufre.	Es posible que deba reemplazar el filtro de agua para eliminar los problemas de olor y sabor..
	El interior del refrigerador necesita una limpieza.	Consulte la sección Cuidado y limpieza para obtener más información.
	El depósito de hielo necesita una limpieza.	Vacíe y limpie el depósito. Deseche los cubitos antiguos.
<b>Hay agua en la batea de drenaje de la descongelación.</b>	El refrigerador se está descongelando.	El agua se evaporará. Es normal que gotee agua en la batea de descongelación.
	Hay más humedad de lo habitual.	Sería esperable que el agua de la batea de descongelación tarde más en evaporarse. Eso es normal cuando hace calor o hay humedad.

## GUÍA DE SOLUCIÓN DE PROBLEMAS

Problema	Posibles Causas	Soluciones
<b>El refrigerador parece que hace demasiado ruido.</b>	Los sonidos podrían ser normales para su refrigerador.	Consulte la sección Descripción de los sonidos que se pueden escuchar para obtener más información.
<b>La máquina de hielo no está fabricando hielo o no en la cantidad suficiente.</b>	La instalación es nueva.	Espere de 12 a 24 horas tras la instalación de la máquina de hielo para que comience la fabricación de hielo. Espere 72 horas para que la fabricación de hielo esté a pleno rendimiento.
	El refrigerador no está conectado a un suministro de agua o la válvula de corte del suministro no está abierta.	Conecte el refrigerador al suministro de agua y abra completamente la válvula de corte de agua.
	Tiene conectado un sistema de filtración de agua de ósmosis inversa al suministro de agua fría.	Los sistemas de filtración de agua de ósmosis inversa pueden reducir la presión de agua por debajo del mínimo y provocar problemas en la máquina de hielo. (Consulte la sección Presión del agua).
	La tubería de entrada de agua está retorcida.	Si la tubería está retorcida se puede ver reducido el flujo de agua. Desenrede la tubería de entrada de agua.
	La demanda de hielo ha superado la capacidad de almacenamiento.	La máquina de hielo fabricará aproximadamente 95 cubitos en un período de 24 horas. <b>NOTA:</b> En la sección del congelador, se incluye un depósito de hielo adicional para aumentar la capacidad de almacenamiento.
	La máquina de hielo no está encendida.	Localice el interruptor de ENCENDIDO/ APAGADO de la máquina de hielo y confirme que está en la posición ON (I).
	Hay algo en el sensor de detección de hielo.	La presencia de sustancias extrañas o de escarcha en el sensor de detección de hielo pueden interrumpir la fabricación de hielo. Asegúrese de que el área del sensor esté siempre limpia para que el funcionamiento sea correcto.
	El ajuste de temperatura del congelador es demasiado cálido.	La temperatura recomendada para el compartimento del congelador para una fabricación normal de hielo es de -18 °C (0 °F). Si la temperatura del congelador es superior, la fabricación de hielo se verá afectada.
	Las puertas se abren a menudo.	Si las puertas de la unidad se abren a menudo, el aire ambiental calentará el refrigerador e impedirá que la unidad pueda mantener la temperatura establecida. Para ayudar a resolver este problema puede bajar la temperatura del refrigerador, además de no abrir la puerta con tanta frecuencia.
	Las puertas no se cierran correctamente.	Si las puertas no se cierran correctamente, la fabricación de hielo se verá afectada. Consulte el apartado "Las puertas no se cierran completamente" en la sección Guía para la solución de problemas para obtener más información.
La puerta del compartimento de hielo no se cierra correctamente.	Si la puerta del compartimento de hielo no se cierra correctamente, la fabricación de hielo se verá afectada. Asegúrese de que la puerta del compartimento de hielo está cerrada para un funcionamiento correcto. Consulte la sección Características del refrigerador.	

## GUÍA DE SOLUCIÓN DE PROBLEMAS

Problema	Posibles Causas	Soluciones
<b>La temperatura es demasiado cálida o hay una acumulación de humedad en el interior.</b>	Los conductos de ventilación del aire están bloqueados. El aire frío circula desde el congelador hacia la sección de alimentos frescos y vuelta atrás de nuevo a través de los conductos de ventilación del aire que hay en la pared que divide las dos secciones.	Con la mano, busque los conductos de ventilación del aire para sentir el flujo de aire y mover todos los paquetes que bloquean los conductos de ventilación y restringen el flujo de aire. (Consulte el siguiente diagrama de flujo de aire). 
	Las puertas se abren a menudo.	Al abrir las puertas, aumenta la temperatura del refrigerador, lo que obliga al compresor a funcionar más tiempo para volver a enfriar el refrigerador. Para ahorrar energía, intente sacar todo lo que necesite del refrigerador de una sola vez, mantenga los alimentos organizados para que resulte fácil encontrarlos y cierre la puerta en cuanto se saque el alimento.
	El control no está correctamente ajustado para las condiciones medioambientales.	Consulte la sección Ajuste de los controles. Espere 24 horas a que se establezcan o nivelen las temperaturas. Si la temperatura es demasiado fría o demasiado caliente, cambie el ajuste en incrementos de un grado cada vez. Consulte la sección Ajuste de los controles.
	Se acaba de introducir una gran cantidad de alimentos al refrigerador o al congelador.	La introducción de alimentos calienta el refrigerador. El refrigerador tardará unas horas en recuperar la temperatura normal.
	Los alimentos no están empaquetados correctamente.	Envuelva los alimentos herméticamente y seque los contenedores húmedos antes de almacenarlos en el refrigerador para evitar la acumulación de humedad. Si es necesario, vuelva a empaquetar los alimentos siguiendo las instrucciones de la sección Guía para el almacenamiento de alimentos.
	Las puertas no se cierran completamente.	Consulte el apartado "Las puertas no se cierran completamente" en la sección Guía para la solución de problemas.
	El tiempo es húmedo.	Cuando el ambiente es húmedo, el aire transporta humedad al interior del refrigerador cuando se abren las puertas. El aumento de humedad en los compartimentos del congelador o refrigerador pueden provocar la aparición de escarcha o condensación.
	Se ha completado un ciclo completo de descongelación automática.	Es normal que se formen gotas en la pared interior tras la descongelación automática del refrigerador.

# GARANTÍA

LG ELECTRONICS U.S.A., INC.  
FRIGORÍFICO LG GARANTÍA LIMITADA - U.S.A.

En caso de que su Frigorífico LG ("Producto") falle por defectos de material o mano de obra bajo circunstancias de uso doméstico normal durante el período de garantía descrito a continuación, LG, a su criterio, reparará o reemplazará el producto. Esta garantía limitada es sólo válida para el comprador original del producto y se aplicará sólo cuando la compra y el uso se haya realizado dentro de los Estados Unidos, incluyendo los territorios de EE.UU. Para solicitar un servicio cubierto por esta garantía limitada, será necesario presentar el comprobante de compra original.

PERIODO DE GARANTIA		
Frigorífico	(Compresor, Consensador, y Evaporador solamente)	
Un (1) año a partir de la fecha original de compra.	Un (1) año a partir de la fecha original de compra.	Siete (7) años a partir de la fecha original de compra.
Piezas y mano de obra (sólo piezas internas/funcionales)	Piezas y mano de obra	Sólo piezas (Se le cobrará mano de obra al consumidor)

Ruidos asociados con operaciones y fallas normales encontradas en las instrucciones de uso y cuidado y las guías de instalación u operación de la unidad en un ambiente inapropiado no serán cubiertas bajo esta garantía.

- ▶ Los productos y piezas reemplazados están garantizados por la parte que reste del período original de la garantía o por noventa (90) días, el período que sea más largo de los dos.
  - ▶ Los productos y piezas reemplazados pueden ser nuevos o reacondicionados.
- ESTA GARANTÍA SUSTITUYE A CUALQUIER OTRA GARANTÍA, EXPRESA O IMPLÍCITA, INCLUYENDO, SIN LIMITACIONES, CUALQUIER GARANTÍA DE COMERCIABILIDAD O ADECUACIÓN A UN FIN PARTICULAR. HASTA EL EXTREMO PERMITIDO POR LA LEY PARA UNA GARANTÍA IMPLÍCITA, LA DURACIÓN SE LIMITA AL PERIODO DE GARANTÍA EXPRESA INDICADO ANTERIORMENTE. NI EL FABRICANTE NI EL DISTRIBUIDOR DE EE.UU. SERÁN RESPONSABLES DE CUALQUIER DAÑO EXTRAORDINARIO POR MOTIVOS AJENOS, INDIRECTOS, ESPECIALES, O DAÑOS PUNITIVOS DE CUALQUIER NATURALEZA, INCLUYENDO SIN LIMITACIONES, PÉRDIDAS DE BENEFICIOS, O CUALQUIER OTRO DAÑO YA SEA MENCIONADO EN EL CONTRATO, ACUERDO, O CUALQUIER OTRO SUPUESTO. Algunos estados no permiten la exclusión o limitación de daños extraordinarios o ajenos o limitaciones sobre la duración de una garantía implícita, por lo tanto la exclusión o limitación citada arriba puede que no se le aplique a usted. Esta garantía le otorga derechos legales específicos y podría tener otros derechos que variarán dependiendo del estado.**

**ESTA GARANTÍA LIMITADA NO CUBRE:**

1. Desplazamientos del servicio para entregar, recoger, instalar o reparar el producto, instruir al cliente en el funcionamiento del producto, reparar o reemplazar fusibles o corregir cableados o fontanería o para realizar correcciones de reparaciones o instalaciones no autorizadas.
2. Averías de funcionamiento del producto durante cortes eléctricos e interrupciones del servicio eléctrico.
3. Daños causados por tuberías de agua con fugas o rotas, tuberías de agua congeladas, conductos de drenaje bloqueados, suministros de agua inapropiados o interrumpidos o suministros de aire inadecuados.
4. Daños provocados por un uso del producto en una atmósfera corrosiva o contraria a las instrucciones enmarcadas en el manual del propietario del producto.
5. Daños al producto provocados por accidentes, plagas y parásitos, rayos, viento, fuego, inundaciones o actos de la Naturaleza.
6. Daños provocados por un uso indebido, abuso, instalación, reparación o mantenimiento inadecuados. Una reparación inadecuada que incluya piezas no aprobadas o especificadas por LG.
7. Daños o fallos provocados por una modificación o alteración no autorizada, o por un uso más allá de su propósito o cualquier fuga de agua causada por una incorrecta instalación de la unidad.
8. Daños o fallos provocados por una incorrecta corriente eléctrica, voltaje, normativas de fontanería, uso comercial o industrial, o uso de accesorios, componentes, o productos de limpieza desechables que no estén aprobados por LG.
9. Daños provocados por transporte y manipulación, incluyendo arañazos, limaduras, astillados y/o cualquier otro daño al acabado de su producto, a menos que tales daños sean producto de defectos en los materiales o en la fabricación y sea informado en el plazo de una (1) semana desde su entrega (Llame al: 1-800- 243-0000).
10. Daños u objetos desaparecidos de cualquier producto de presentación, con la caja abierta o productos rebajados o reacondicionados.
11. Productos cuyo número de serie original haya sido retirado, alterado o no sea legible con claridad. Para la validación de la garantía serán necesarios el recibo de compra original, el número de serie y el número del modelo.
12. Incrementos de los costes de utilidad y gastos de utilidad adicionales.
13. Sustitución de bombillas, filtros o cualquier otra pieza desechable.
14. Reparaciones cuando su producto haya sido usado de forma diferente al uso doméstico normal ( p.ej. uso comercial, en oficinas y lugares de ocio) o contrario a las instrucciones enmarcadas en el manual del propietario del producto.
15. Costes asociados a la retirada del producto de su hogar para reparaciones.
16. La retirada y reinstalación del producto si se encuentra instalado en un lugar inaccesible o no está instalado de acuerdo con lo publicado en el manual de instalación del producto, incluyendo los manuales LG del propietario y de instalación.
17. Las estanterías, cestas de las puertas, cajones, manillas, y otras piezas a parte de aquellas que venían incluidas con este modelo en particular.

**El costo de la reparación o sustitución bajo estas circunstancias excluidas será asumido por el cliente.**

**Para obtener una información más detallada de la garantía y asistencia al cliente, Por favor llame o visite nuestra página web:** Llame al 1-800-243-0000 (24 horas al día, 365 días al año) y seleccione la opción apropiada del menú o visite nuestra página web en: [www.lg.com](http://www.lg.com)  
O por correo: Centro de información al cliente LG:  
P. O. Box 240007, 201 James Record Road Huntsville, Alabama 35813  
ATTN: CIC

**Escriba la información de su garantía debajo:**

**Información de registro del producto:**

**Modelo:**  
**Número de serie:**  
**Fecha de la compra:**







For additional support including helpful videos,  
please visit us at:

[www.lg.com](http://www.lg.com)



LG Customer Information Center

<b>1-800-243-0000</b>	USA, Consumer User
<b>1-888-865-3026</b>	USA, Commercial User
<b>1-888-542-2623</b>	CANADA

Register your Product Online!

[www.lg.com](http://www.lg.com)