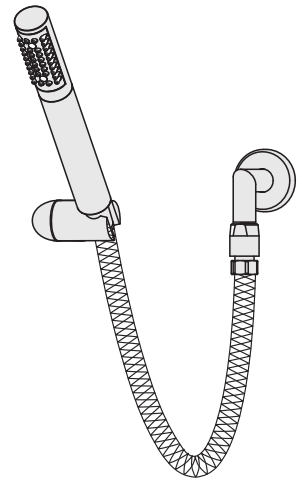


Location:

# SYMMONS® Sereno™

## Hand Shower 432HS Specification Submittal



### Feature Highlights

- Single mode hand shower with inline vacuum breaker
- 5 foot flexible metal hose
- Wall connection and cradle for mounting hand shower
- Metal construction with polished chrome finish

### Model Numbers

- 432HS..... Hand Shower

### Finish Options

Append appropriate -suffix to model number.

- STN Satin nickel finish

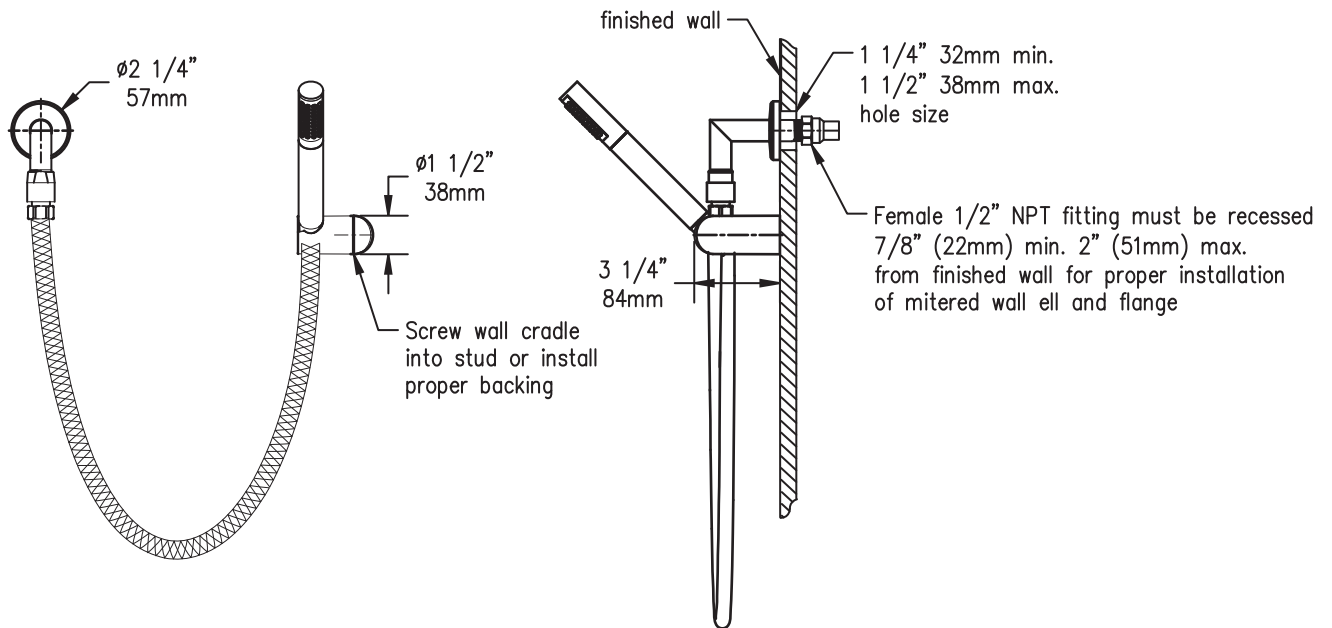
### Standards / Certifications

ASME A112.18.1-2005/CSA B125.1-05

### Warranty

- Limited Lifetime - to the original end purchaser in consumer installations.
- 5 years - for commercial installations

### Dimensions Sereno Hand Shower, 432HS



Symmons Industries, Inc. ■ 31 Brooks Drive ■ Braintree, MA 02184  
 (800) 796-6667, (781) 848-2250 ■ Fax (800) 961-9621, (781) 664-1300  
 Website: [www.symmons.com](http://www.symmons.com) ■ Email: [customerservice@symmons.com](mailto:customerservice@symmons.com)

©2008, 2009 Symmons Industries, Inc. Printed in U.S.A. ■ 062209

