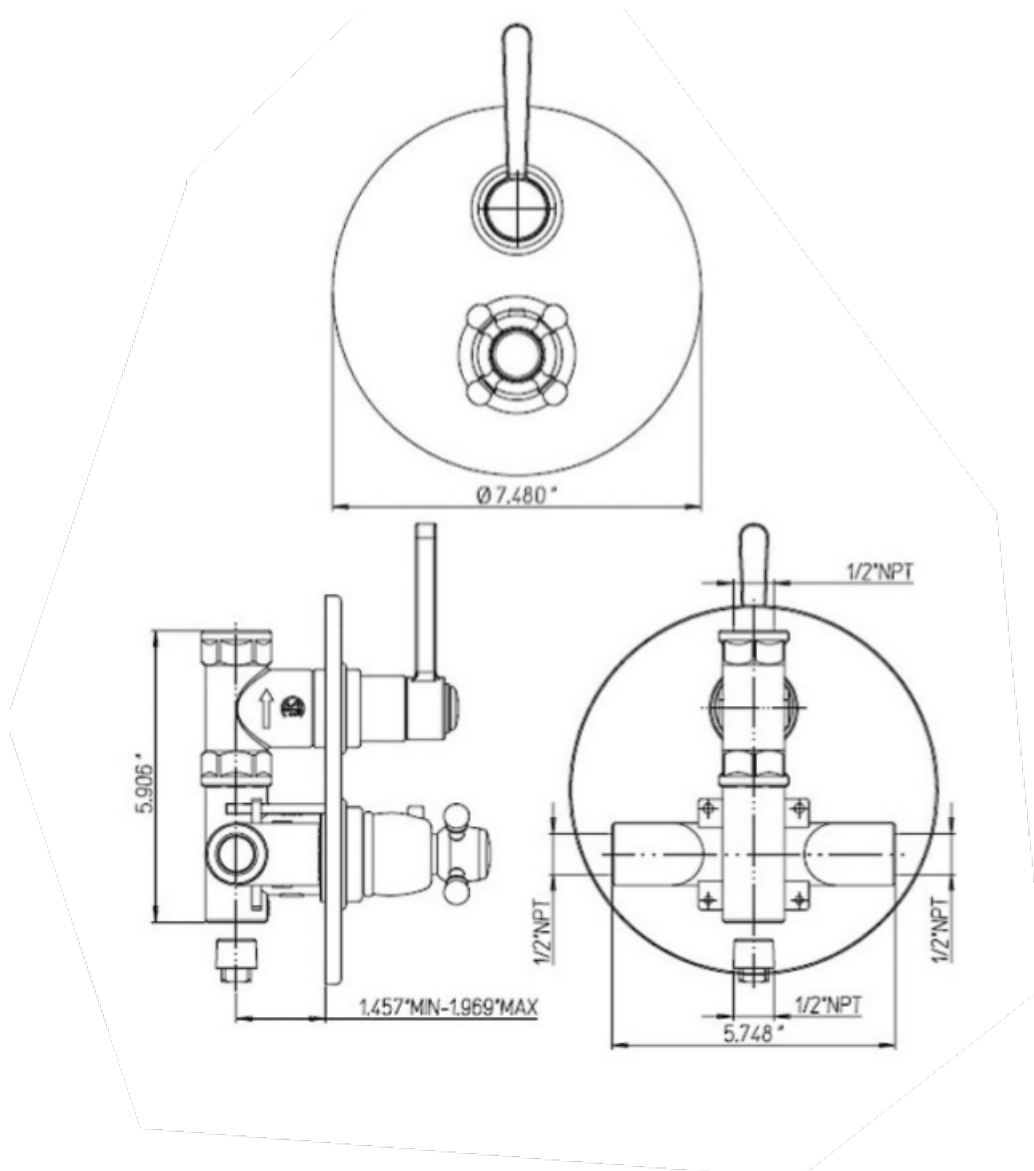


88-691



Firenze thermostatic valve with
2-way diverter volume control
 $1/2''$ inlet connections



Firenze Series

88-691

Thermostatic Valve,
Transitional Styling

STANDARDS

- Compliant with ASME A112.18.1-B125.1
- Compliant with AB1953
- Compliant with ANSI NSF61 – Annex G
- Certified by CSA International
- Compliant with ANSI A117.1

Finishes

	88CR691	88PW691
Polished Chrome	X	
Brushed Nickel		X

Features

	88CR691	88PW691
Solid Brass Construction	X	X
2-Way Diverter Volume Control	X	X
Independent Temperature Control	X	X
Extra Bottom Exit To Add Extra Volume	X	X
Control Step-By-Step Installation Instructions	X	X

1-866-668-6690
1571 MAIN RD
NEWFIELD, NJ 08344

www.paini-usa.com