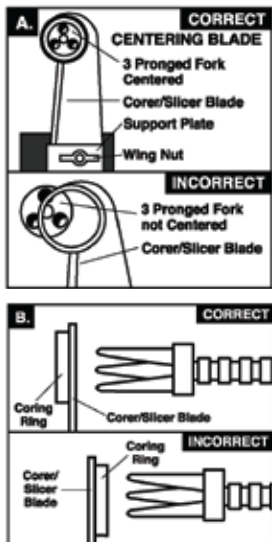


● Allrecipes™ 3-in-1 APPLE PEELER

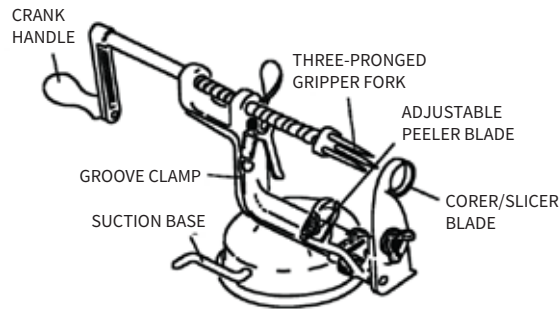
- Fast and easy apple preparation for snacks, pies, sauces and more
- Also great for potatoes, pears, radishes and more
- Simultaneously cores, peels, and slices
- Remove the core and slicing blade to only peel, and pull back the peeler blade to just slice and core
- Stainless steel blades for lasting durability
- Powerful suction base securely locks to countertop for hands-free stability
- For best results always select firm and fresh fruit; the peeler will not work on overripe, soft apples

● ASSEMBLY

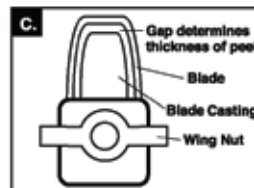
- Secure machine onto a clean, dry, sturdy surface such as a counter or tabletop by pressing the lever on the suction base.
- Attach crank handle. Use a screwdriver to tighten.
- Check alignment of the three-pronged fork and the position of the corer/slicer blade. (See diagrams A & B)



● INSTRUCTIONS



- Release the groove clamp and pull crank handle all the way back.
- Pivot peeler-arm to the side and lock it in place with the peeler lock.
- Push apple firmly into three-pronged fork (either end of apple will do). Center prongs through core.
- Turn the crank until the apple comes in contact with the blade. To adjust the depth at which the blade peels the apple, loosen the wing nut on the peeler blade and adjust the gap between peeling blade and blade shelf lip. (See diagram C)



- Remove apple core by releasing the groove clamp and pulling shaft back.

● OPTIONS

- For peeling only, detach corer/slicer blade.
- For slicing and coring without peeling, pivot peeler-arm to the side and lock it in place with the peeler-arm lock.

● CLEANING

- Hand wash with warm, soapy water. Rinse thoroughly.

● CHANGING THE BLADE

• Peeler Blade

1. Loosen wing nut to replace or adjust blade. Blade can be adjusted for minimum to maximum peel thickness. (See diagram C)

• Corer/Slicer Blade

1. When attaching this blade to the frame, make sure the three-pronged fork is all the way forward by releasing the groove clamp.
2. Fit and center corer/slicer blade over three-pronged fork and support plate with the wing nut and hole coring ring facing out, not toward the prongs. (See diagram B)

● TROUBLESHOOTING

• PROBLEM – Can't peel

SOLUTION – Three-pronged gripper fork must be centered through corer/slicer blade as in diagram A and peeling blade must be set as in diagram C

OR

Adjust blade (see diagram C) by increasing gap a small amount at a time; if the gap is too big it will gouge apple

• PROBLEM – Fruit is not slicing

SOLUTION – Corer/slicer blade is on backwards and must be turned around (See diagram B)

● CAUTION

- Exposed blades – handle with care
- Allrecipes™ 3-in-1 Apple Peeler features extremely sharp cutting surfaces. Use caution with the blades and keep them out-of-reach of children at all times



LIMITED ONE-YEAR WARRANTY

Clipper Corporation (Clipper) warrants Allrecipes™ 3-in-1 Apple Peeler to be free of defects in material and workmanship under normal household use as long as these use and care instructions are followed. The warranty does not apply to damage caused by misuse, abuse, overheating, altered product or commercial use.

Clipper agrees to repair or replace, at its option, any item found defective in material, construction or workmanship under normal household use as long as these use and care instructions are followed. The warranty does not apply to damage caused by misuse, abuse, overheating, altered product or commercial use.

This warranty is limited to the original consumer with receipt or proof of purchase and is not transferable. If the product was not purchased new from an authorized dealer, distributor, or representative of the manufacturer, this warranty is null and void.

Clipper's liability under this warranty is limited to the repair or replacement of the defective product at Clipper's sole option. Clipper shall not be liable for any special, punitive, incidental, or consequential damages, whether direct or indirect. This warranty gives you specific legal rights. You may also have other rights which vary from state to state.

To obtain warranty service, contact Clipper Corporation at 877.533.2547 during normal business hours of 9 a.m. to 5 p.m. PST, Monday through Friday. Provide model number, description, and date of original purchase along with a copy of your receipt from an authorized dealer.



Allrecipes™ is a trademark of Allrecipes.com, Inc., a subsidiary of Meredith Corporation. Used under license by Clipper Corporation. ©2016 Meredith Corporation.

Clipper Corporation
21124 Figueroa Street
Carson, CA 90745 USA
877.533.2547

Specifications subject to change without notice.

50255-2881-BLK

allrecipes!™

.....

Calling all cooks.

The first social food community for the cooks, by the cooks. A place that inspires home cooking, celebrates the food you make and lets you share your successes with friends, family and followers. Join the community at allrecipes.com

.....



3-in-1 Apple Peeler

Warranty, Use & Care Guidelines