

# Exhaust Vent Installation Instructions

-To be installed prior to siding-

---

## Step 1

Remove the trim ring and collar from the vent assembly. Place tape or sealant between the Exhaust Vent and house. Align the tube with the available opening (Suggested hole size: 4 1/8" diameter.) See Figure 1 at right.

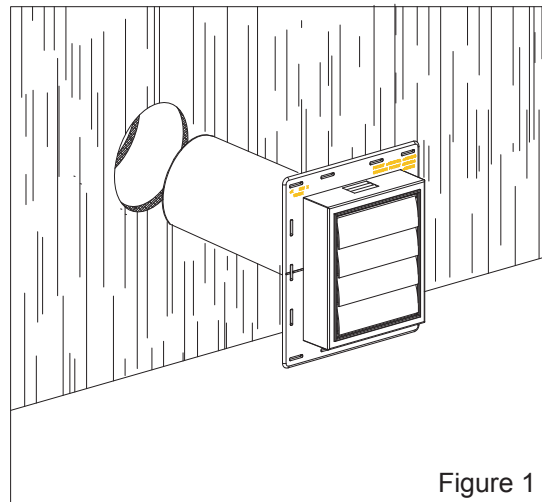


Figure 1

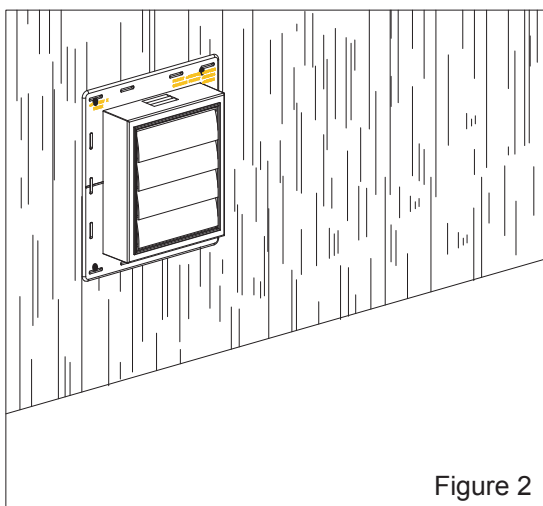


Figure 2

## Step 2

Attach the Exhaust Vent using an 8d nail or equivalent with a minimum of four attachments. See Figure 2 at left.

## Step 3

Once the Exhaust Vent has been securely fastened, cut the siding around the vent. Install the siding according to the manufacturer's installation instructions. See Figure 3 at right.

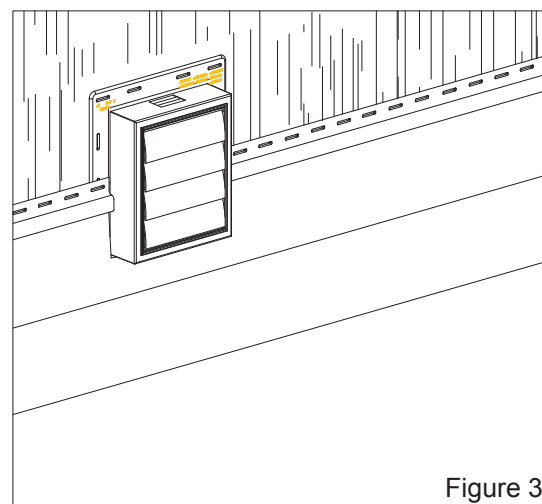


Figure 3

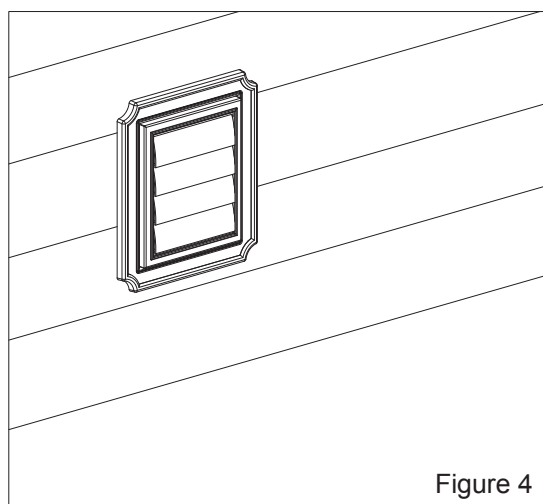


Figure 4

## Step 4

Lock on the Trim Ring. See Figure 4 at left.