

KNOW YOUR UNIT

APPLICATIONS

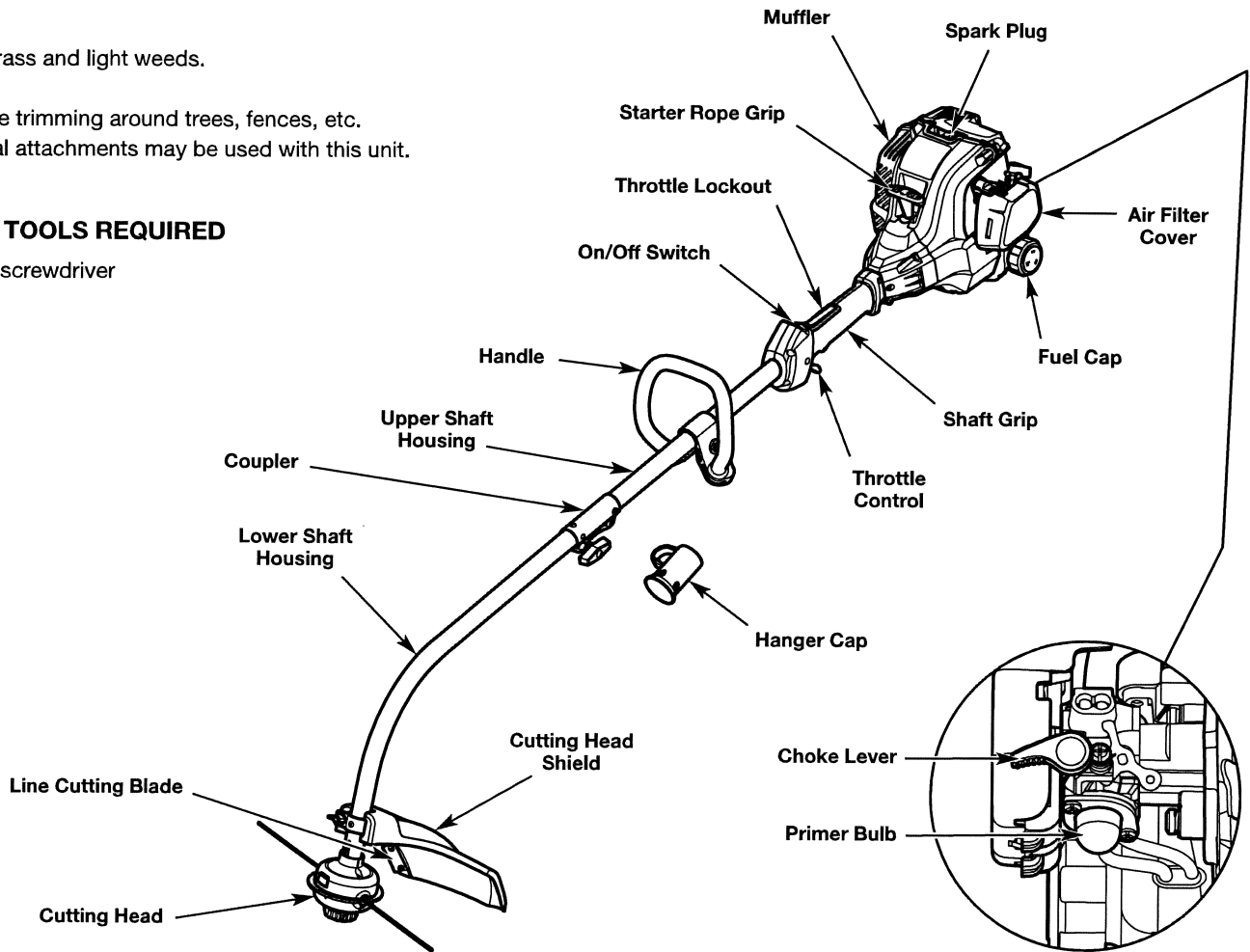
As a trimmer:

- Cutting grass and light weeds.
- Edging
- Decorative trimming around trees, fences, etc.

Other optional attachments may be used with this unit.

ASSEMBLY TOOLS REQUIRED

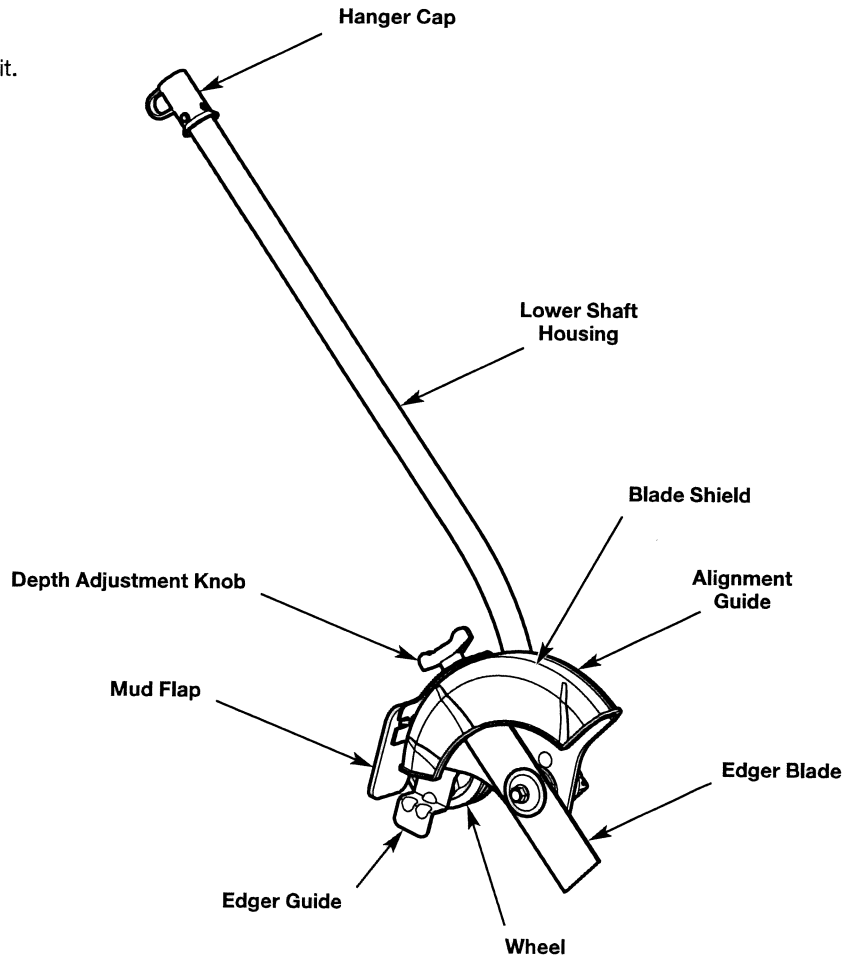
- Flat-head screwdriver



APPLICATIONS

As an edger:

- Edging along paths, driveways, rockeries, etc.
- Other optional attachments may be used with this unit.



SPECIFICATIONS*

Engine Type	Air-Cooled, 2-Cycle
Displacement.....	25 cc (1.52 cu. in.)
Spark Plug Gap.....	0.025 in. (0.635 mm)
Spark Plug.....	Champion® RDJ7J or equivalent plug
Lubrication	Fuel/Oil Mixture
Fuel/Oil Ratio	40:1
Fuel Tank Capacity	8.5 fl. oz. (251 ml)
Approximate Unit Weight (No fuel)	11.25 - 14.5 lbs. (5.1 - 6.6 kg)
Trimmer Mechanism	Bump Head
Trimming Line Diameter	0.095 in. (2.41 mm)
Cutting Path Diameter.....	17 in. (43.2 cm)
Cutting Depth (maximum)	2.5 in. (6.3 cm)

* All specifications are based on the latest product information available at the time of printing. We reserve the right to make changes at any time without notice.