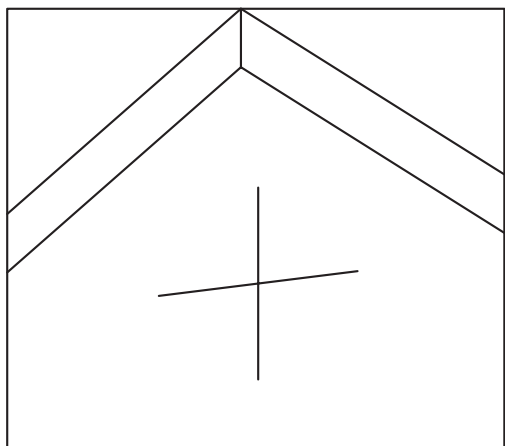


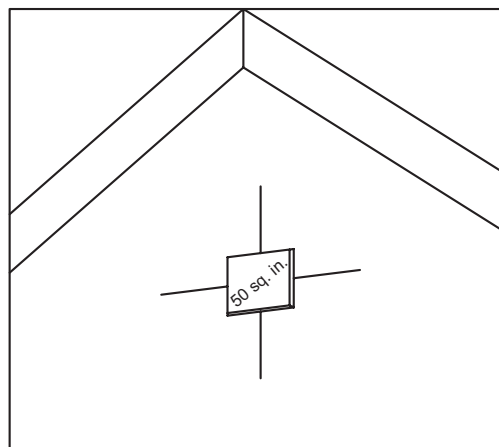
30" Wide Round Gable Vent with Keystones

Installation Instructions



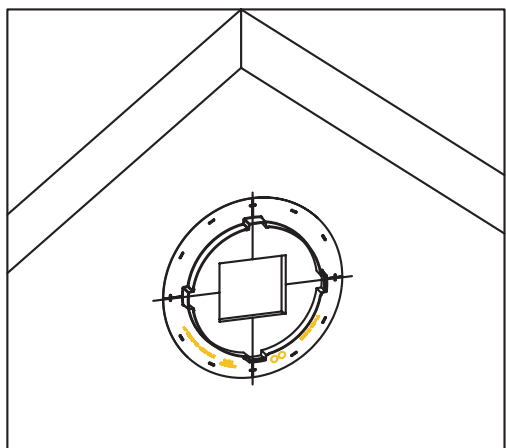
STEP 1

Choose the location of your vent. Using a level mark the wall with a horizontal and vertical line to ensure square alignment of the vent with the siding. See figure at left.



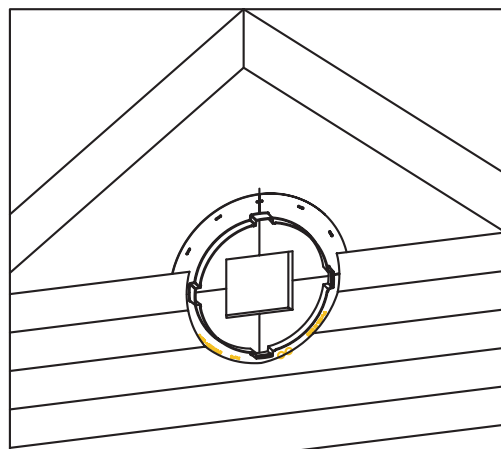
STEP 2

Cut a hole in the wall equal to the vent free area of the vent which is 50 sq. in. See figure at right.



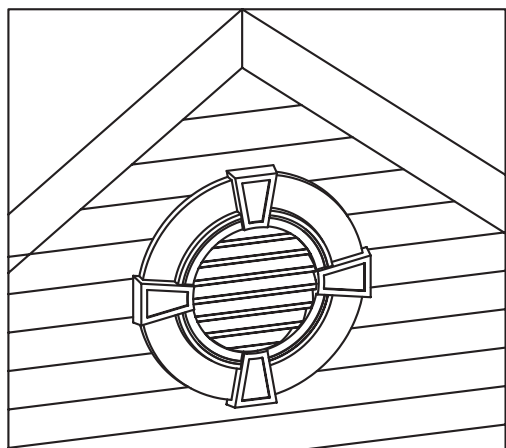
STEP 3

Nail or screw the mount to the wall through the pre-formed nail slots. Use one nail or screw in each nail slot. Remember to use the leveling lines. See figure at left.



STEP 4

Install siding around the mount. Apply siding material up to the sidewall of the mount. See figure at right.



STEP 5

After installing your siding, snap on the vent into one of the locking positions. No need to J-channel or caulk. See figure at left.