

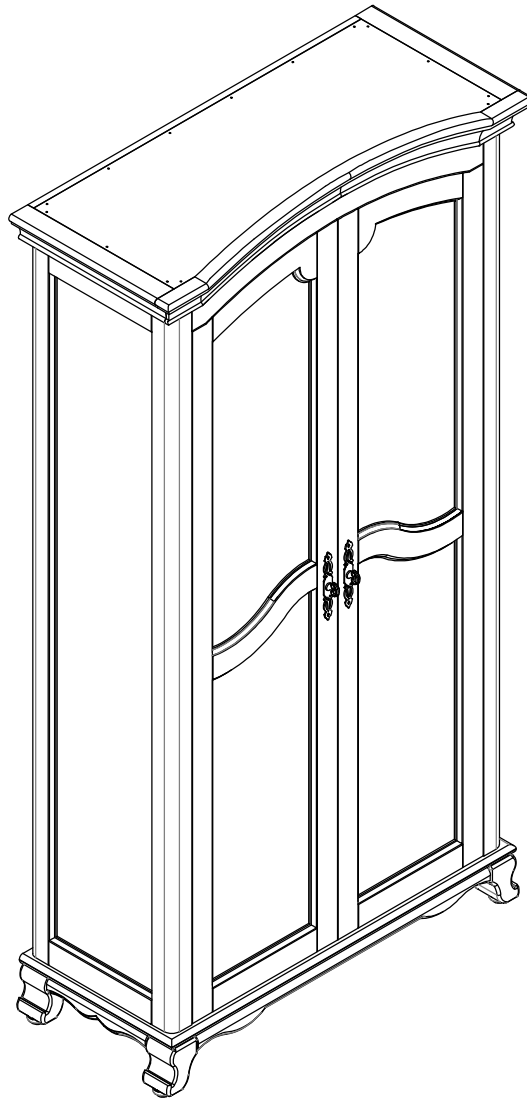
# HOME DECORATORS COLLECTION

## PROVENCE DOUBLE BOOKCASE

INV#9938900510

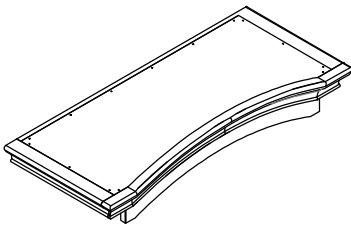
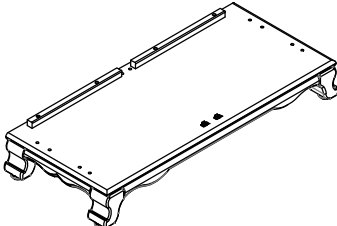
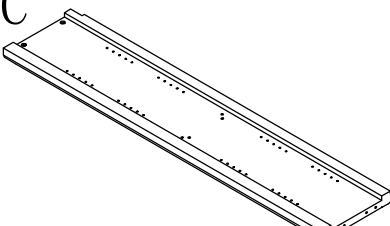
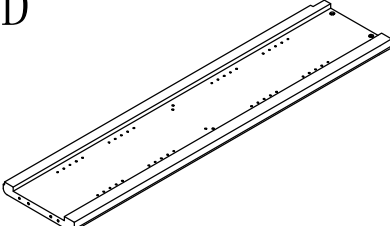
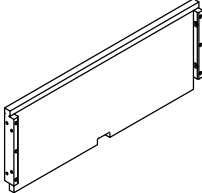
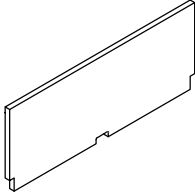
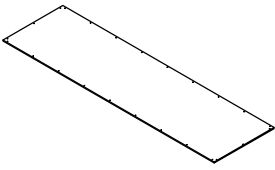
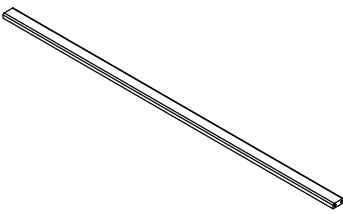
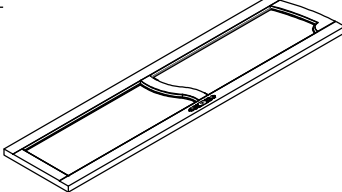
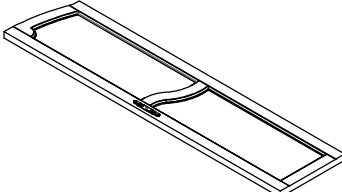


ASSEMBLY INSTRUCTIONS









MADE IN CHINA

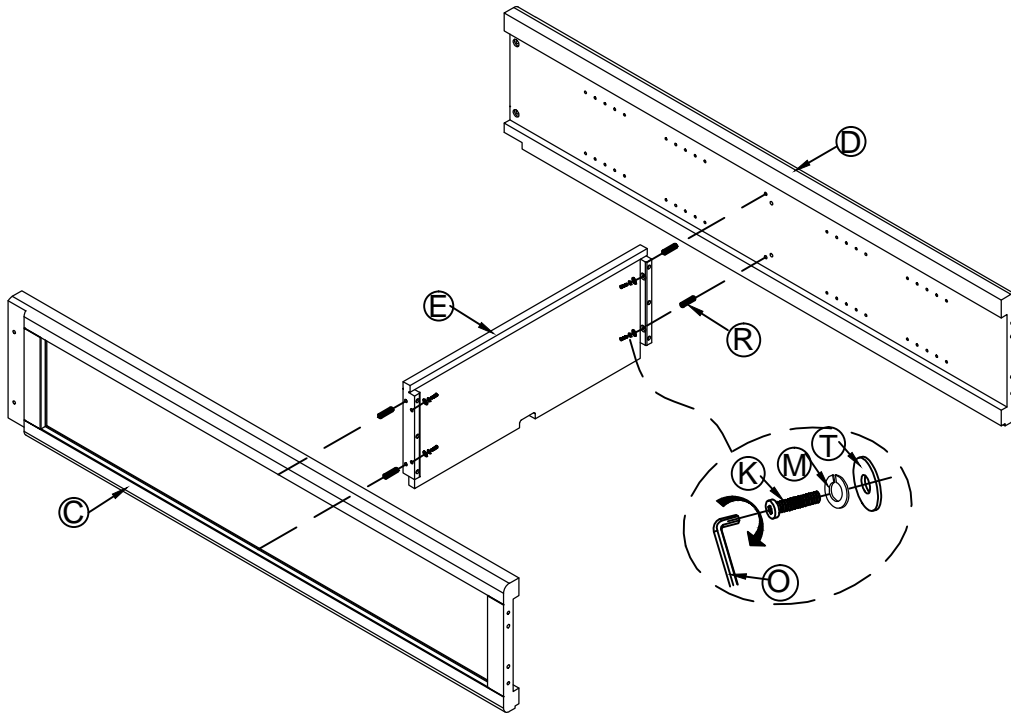


Thank you for purchasing this quality product. Be sure to check all packing material carefully for small parts, which may have come loose inside the carton during shipment. Count all parts and material hardware, then compare with parts list to be sure all parts are present. If any parts are missing or damaged, phone, fax, or mail to our Customer Service Department for efficient and speedy service. Please indicate the model number and code letter of part(s) needed.

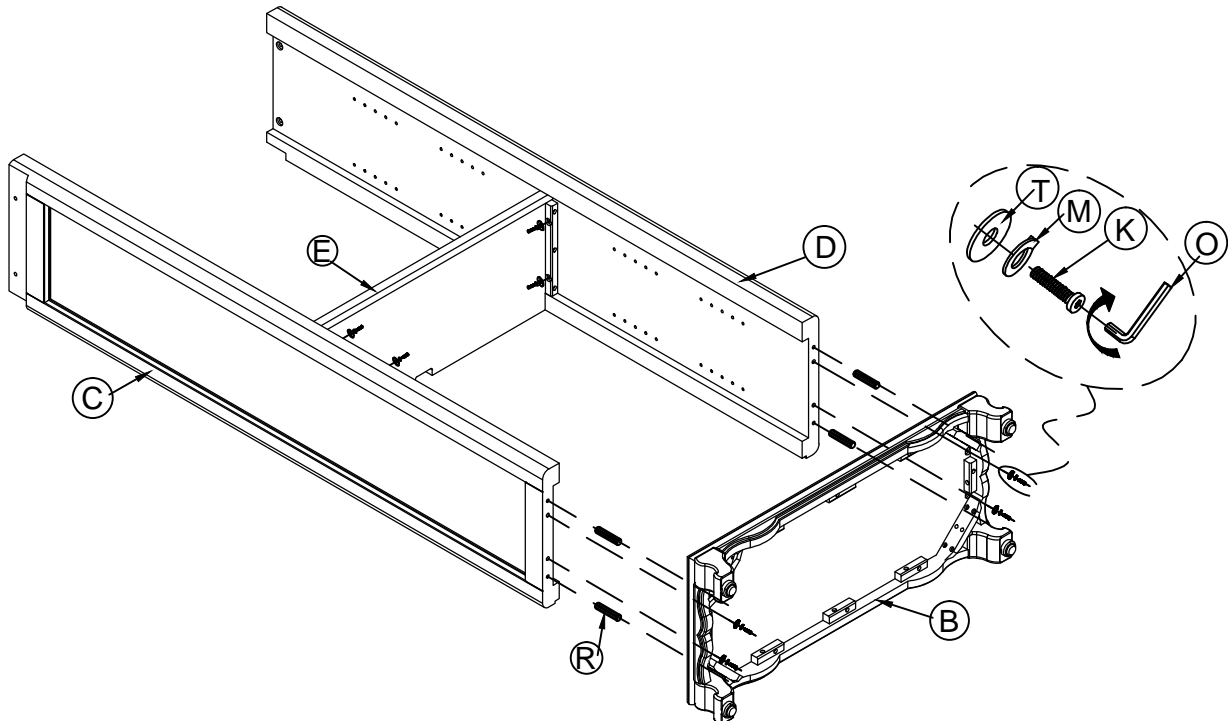
**IMPORTANT NOTE:** Follow instructions listed below in proper sequence as numbered to assure fast, easy and correct assembly.

PARTS LIST		
<p>A</p>  <p>TOP PANEL-1PC</p>	<p>B</p>  <p>BOTTOM PANEL-1PC</p>	<p>C</p>  <p>LEFT SIDE PANEL-1PC</p>
<p>D</p>  <p>RIGHT SIDE PANEL-1PC</p>	<p>E</p>  <p>FIXED PANEL-1PC</p>	<p>F</p>  <p>ADJUSTABLE SHELF-4PCS</p>
<p>G</p>  <p>REAR PANEL-2PCS</p>	<p>H</p>  <p>MIDDLE BACK RAIL-1PC</p>	<p>I</p>  <p>LEFT DOOR-1PC</p>
<p>J</p>  <p>RIGHT DOOR-1PC</p>	<p>K</p> <p>φ1/4"x1-1/4"</p>  <p>BOLT-12PCS</p>	<p>L</p>  <p>SCREW-2PCS</p>

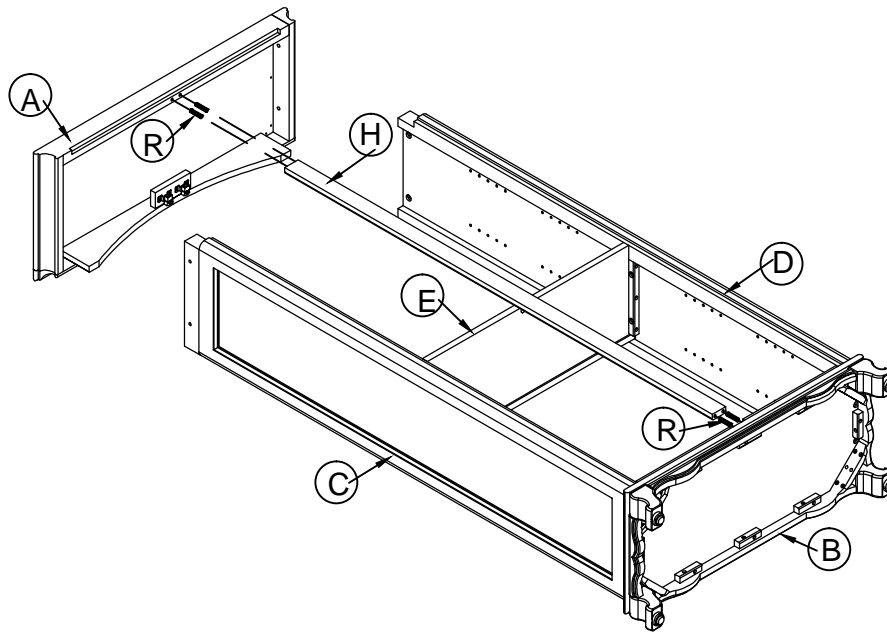
<p>M</p>  <p>SPRING WASHER-12PCS</p>	<p>N</p>  <p>SHELF HOLDER-16PCS</p>	<p>O</p>  <p>ALLEN KEY-1PC</p>
<p>P</p> <p>φ3x15</p>  <p>SCREW-12PCS</p>	<p>Q</p>  <p>DOOR HANDLE-2PCS</p>	<p>R</p> <p>φ8x30</p>  <p>WOOD DOWEL-12PCS</p>
<p>S</p> <p>φ3.5x15</p>  <p>SCREW-44PCS</p>	<p>T</p>  <p>FLAT WASHER-12PCS</p>	



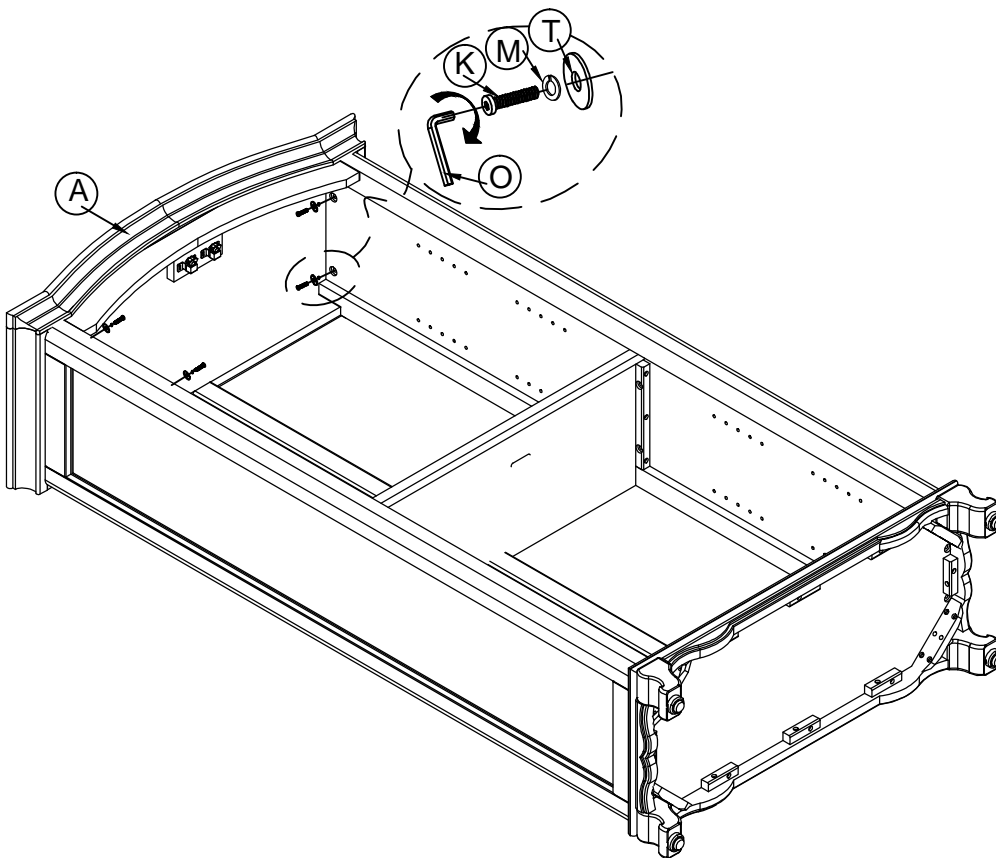
1) . JOIN THE SHELF(E) TO THE LEFT SIDE PANEL(C) AND RIGHT SIDE PANEL(D) BY USING 4PCS WOOD DOWLS(R),4PCS BOLTS(K),4PCS SPRING WASHER (M) AND 4PCS FLAT WASHER(T).



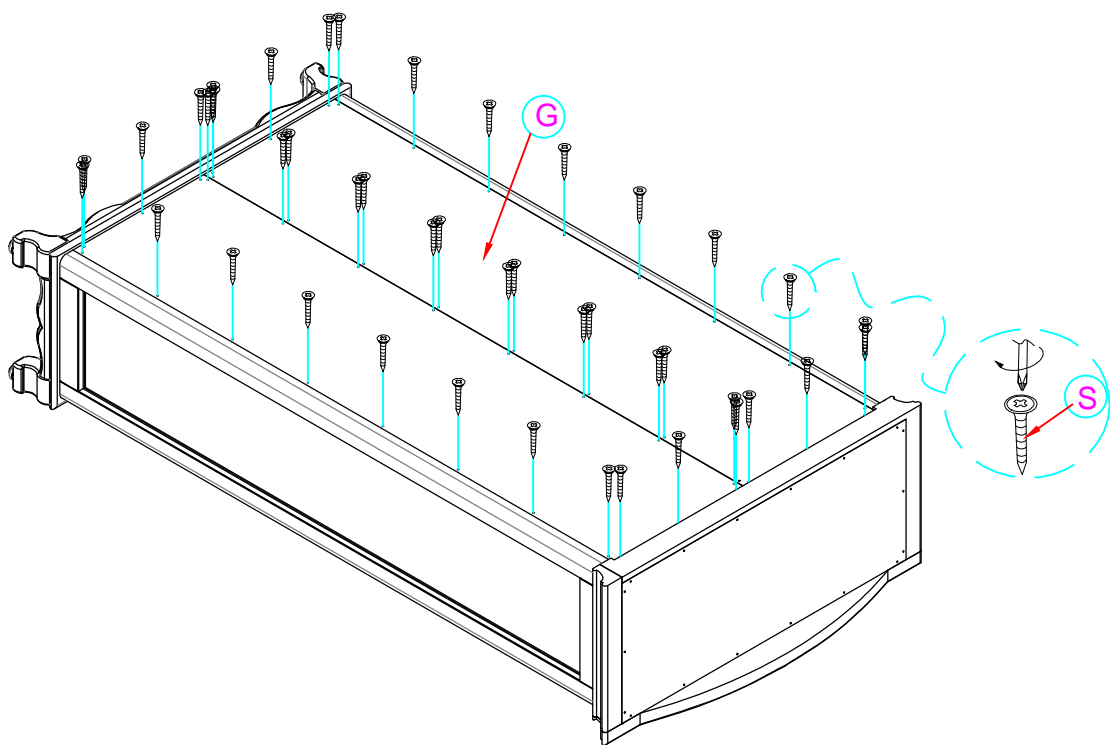
2) . JOIN THE BOTTOM PANEL(B) TO THE LEFT SIDE PANEL(C) AND RIGHT SIDE PANEL(D) BY USING 4PCS WOOD DOWLS(R),4PCS BOLTS(K),4PCS SPRING WASHER(M) AND 4PCS FLAT WASHER(T).



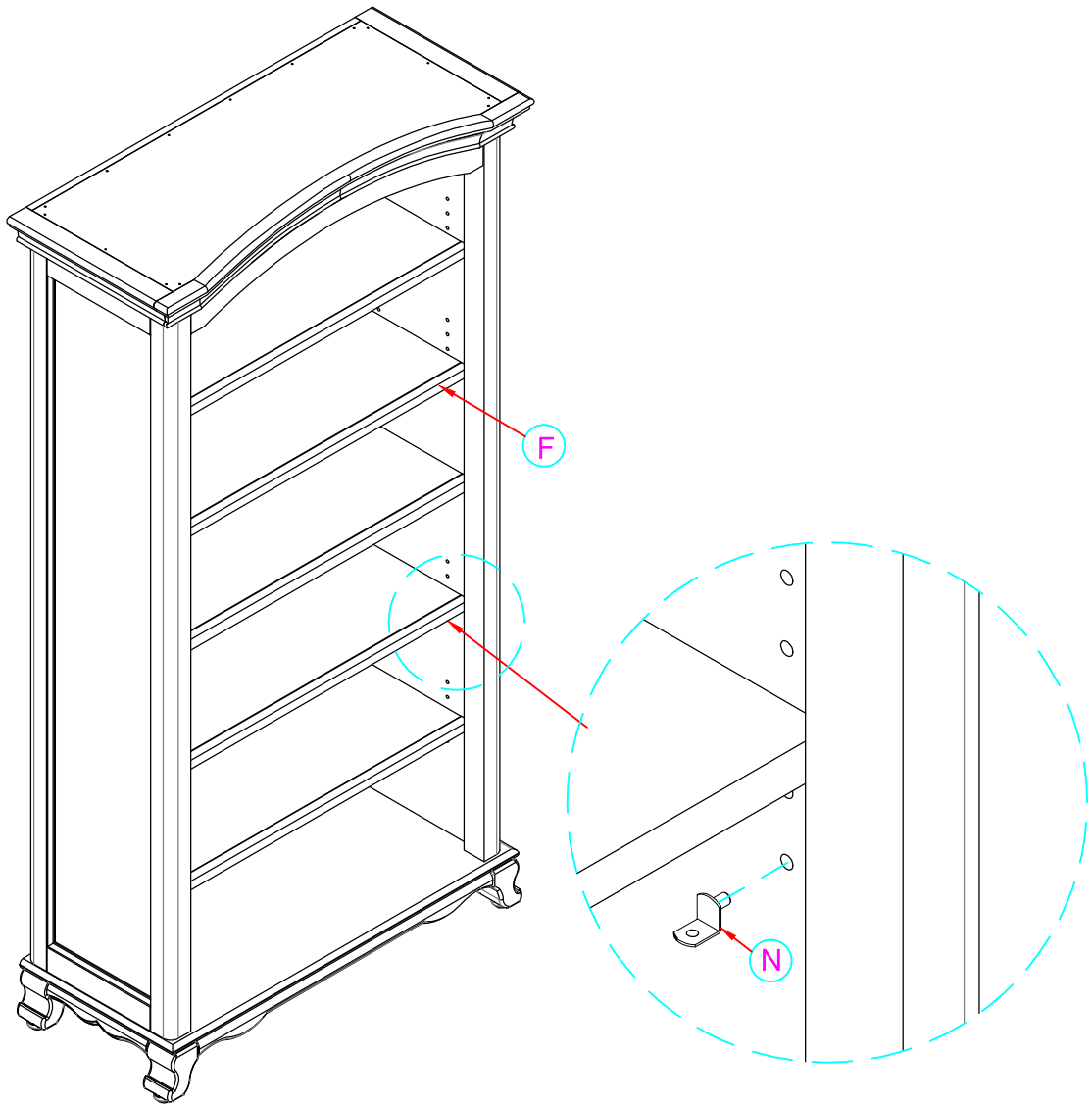
3).INSERT THE WOOD DOWELS(R) TO THE MIDDLE BACK RAIL(H)  
ATTACH THE MIDDLE BACK RAIL(H) TO THE BOTTOM PANEL(B),  
THEN INSTAL THE TOP PANEL(A)



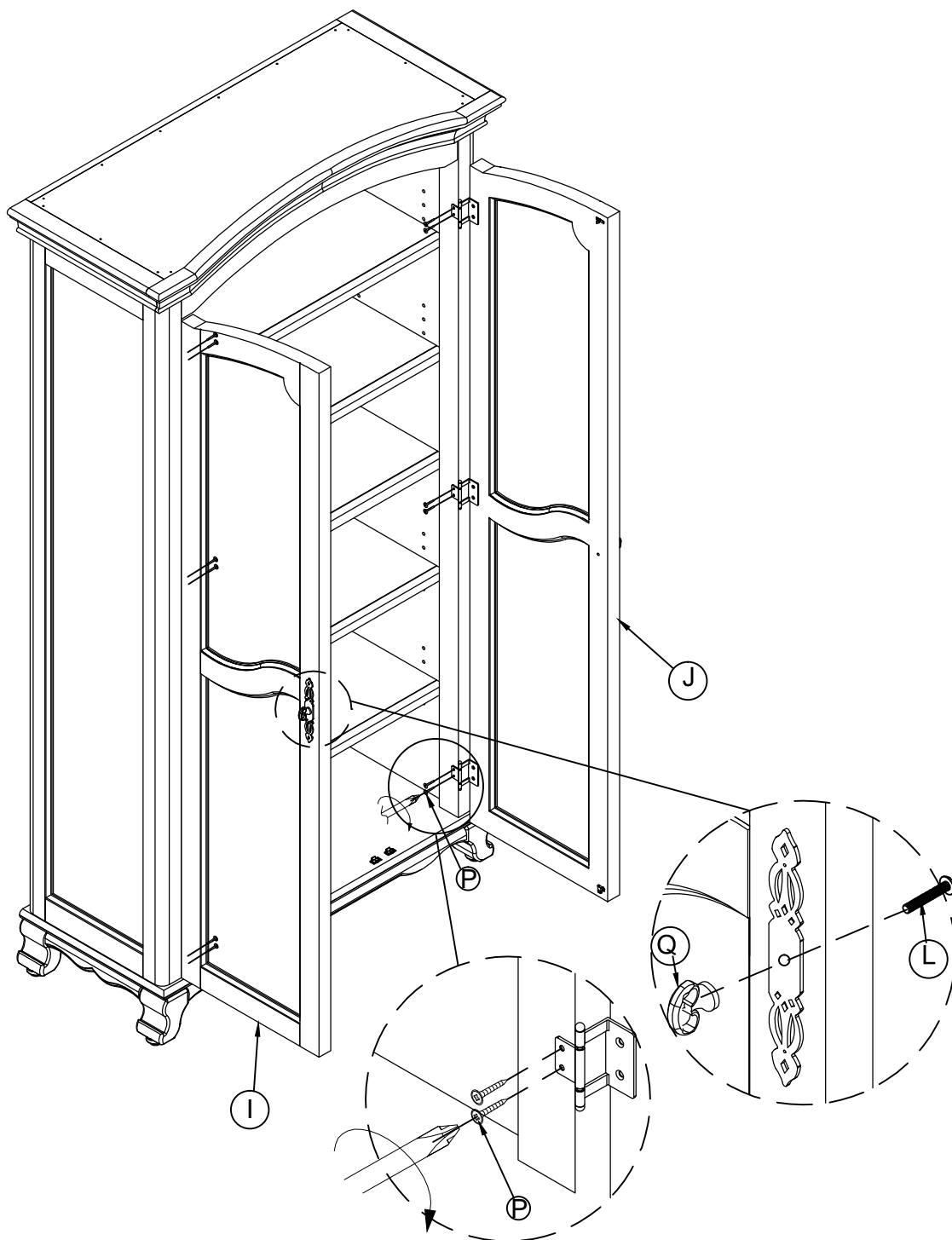
4) . JOIN THE TOP PANEL(A) AND MIDDLE BACK(H) TO THE LEFT SIDE PANEL  
(C) ,RIGHT SIDE PANEL(D) AND BOTTOM(B) BY USING 4PCS BOLTS(K),  
4PCS SPRING WASHER(M) AND 4PCS FLAT WASHER(T).



5) . FINALLY JOIN THE BACK PANEL(G) TO THE WHOLE CABINET BY USING 44PCS SCREWS(S).



- 6) . PUT THE SHELF HOLDERS (N) INTO THE ADJUSTABLE HOLES.  
THEN PLACE THE ADJUSTABLE SHELVES (F) IN THE DESIRED LOCATION.



7) . INSTALL THE DOOR HANDLE(Q) TO THE LEFT DOOR(I) AND RIGHT DOOR(J) BY USING 2PCS SCREWS(L), THEN JOIN THE LEFT DOOR(I) AND RIGHT DOOR (J) TO THE WHOLE CABINET BY USING 12PCS SCREWS(P).