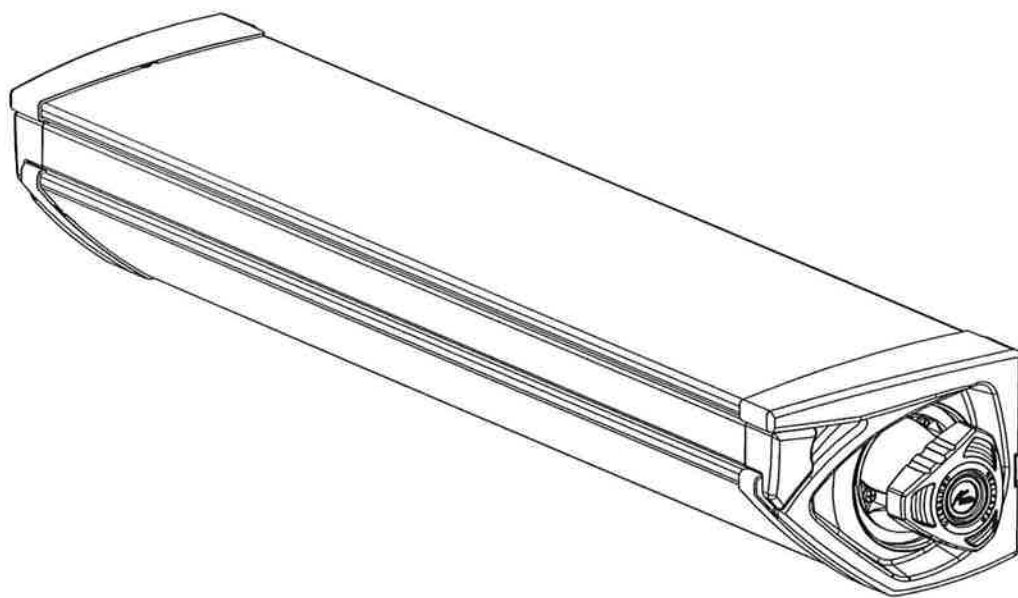
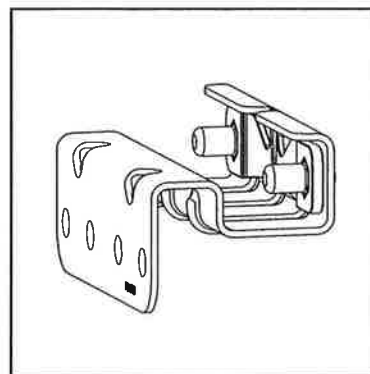
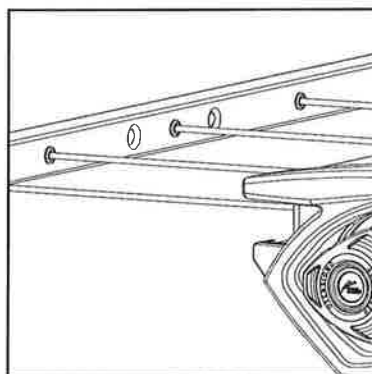
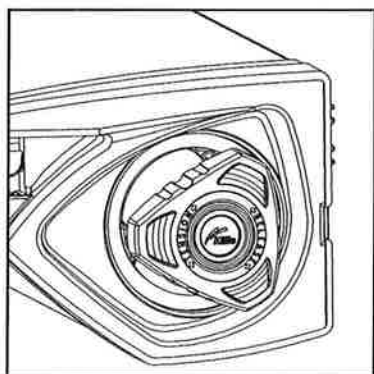


**Hills** **Everyday**<sup>™</sup>  
Retracting Clothesline  
**Owner's Manual**



**TO SUIT MODEL:  
Retracting 5 Line**



### **Congratulations**

Congratulations on the purchase of your new **Hills Everyday™ Retracting Clothesline**, which will bring you many years of trouble free and efficient drying.

It is important that you read this Owner's Manual thoroughly before installation and use. In this way you will benefit from all the design features and enjoy safe use of the product.

Thank you for choosing Hills.

### **Warning**

- Do not allow children or pets to swing on the Clothesline or items of laundry.
- Do not use for any purpose other than to hang and dry washing.
- Do not use your Clothesline if parts are worn or damaged.
- Do not release the locking mechanism when there are clothes attached to the lines.
- The contents of this Retracting Line are under spring tension.
- Do not remove the end plates or attempt to dismantle the Retracting Line cabinet.
- Do not allow the arm and lines to retract uncontrolled as this may lead to personal injury or property damage. Hold the arm securely and walk it back to the cabinet.
- Patents and registered designs apply to this product.

### **Carton Contents**

| <b>Part name</b>        | <b>Qty.</b> |
|-------------------------|-------------|
| Retracting line cabinet | 1           |
| Receiving bracket       | 1           |

### **Optional Post Mounting Kits**

If you choose to mount your Retracting Clothesline cabinet or receiving bracket on posts, the following products are available.

#### **Post Kits:**

FD52012 – Hills Everyday™ Post Kit Retracting Clothesline

#### **Mount Bar Kits:**

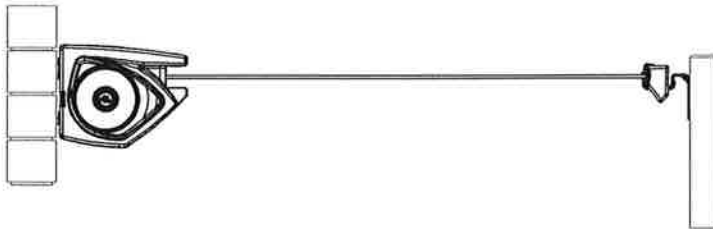
FD52008 – Hills Mount Bar Retracting Clothesline

## Mounting Options

Determine which of the four mounting options most suits your requirements.

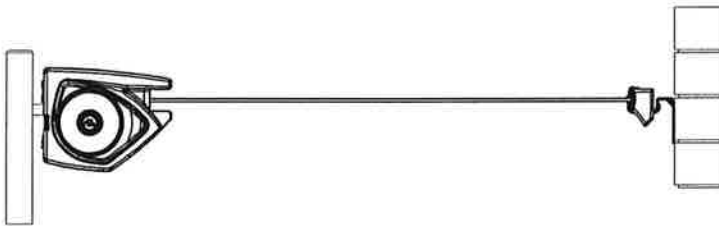


**Wall to Wall**



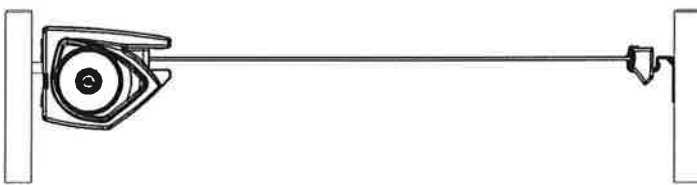
**Wall to Post**

Requires:  
1 Post Kit




**Post to Wall**

Requires:  
1 Post Kit  
1 Mount Bar Kit



**Post to Post**

Requires:  
2 Post Kits  
1 Mount Bar Kit

 **Note:** Minimum operating distance is 2.0m (6'6").  
Maximum operating distance is 6.5m (21'4").

## Step 1 – Select a suitable location

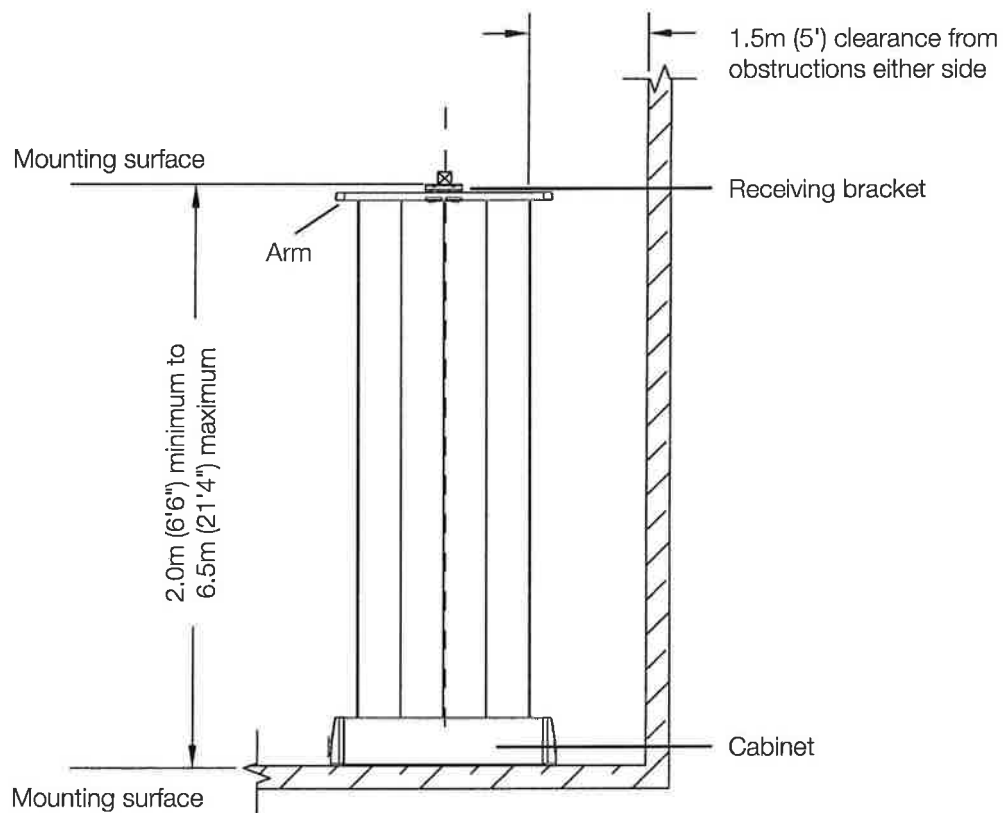
- 1.1 Select a suitable location for either wall or post mounted installations.
- 1.2 This product has been designed to mount and operate between 2.0m (6'6") and 6.5m (21'4").
- 1.3 Always leave approximately 1.5m (5') clearance each side of the line and any wall fence/shed etc.



**Note:** This product must only be installed on sound structural walls. May not be suitable for mounting on timber or cladded dwelling unless the cabinet or receiving bracket is mounted directly to vertical studs – NOT TO CLADDING.

Do not mount directly onto cladding materials.

If you have any doubt, contact your local hardware store or installer.

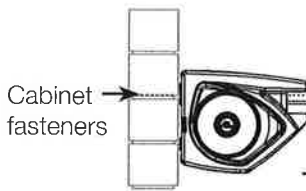


## Step 2 – Recommended installation height

- 2.1 For all installations, we recommend the operational height for the line is approximately 50mm (2") above the user's head height.
- 2.2 For the heights and combinations of wall/post installations refer to the appropriate details below.

### Wall Installation

#### Cabinet

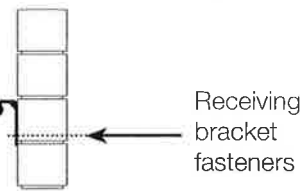


Location of cabinet fasteners are approximately 60mm (2¼") above user's head height.

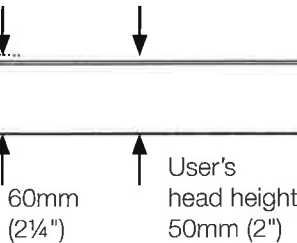


**Note:** the receiving bracket should be located at a height to ensure the clothesline is close to horizontal.

#### Receiving bracket

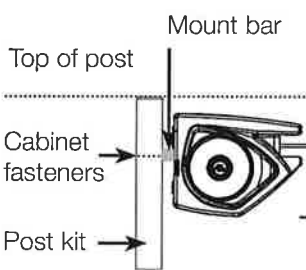


Location of receiving bracket fasteners are approximately 25mm (1") above user's head height (when installed on level ground).



### Post Installation

#### Cabinet

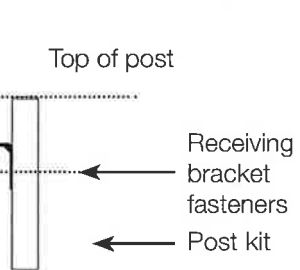


For post mounting a cabinet, the top of the post should be approximately 115mm (4½") above user's head height.

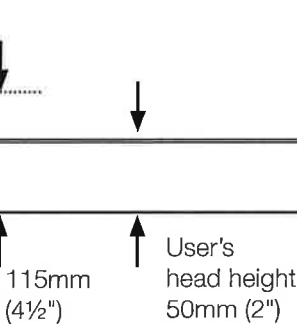


**Note:** the receiving bracket should be located at a height to ensure the clothesline is close to horizontal.

#### Receiving bracket



For post mounting a Receiving bracket, the top of the post should be approximately 125mm (5") above user's head height. (when installed on level ground).



### Step 3 – Mounting your cabinet to a wall

#### 3.1 Prepare your cabinet location

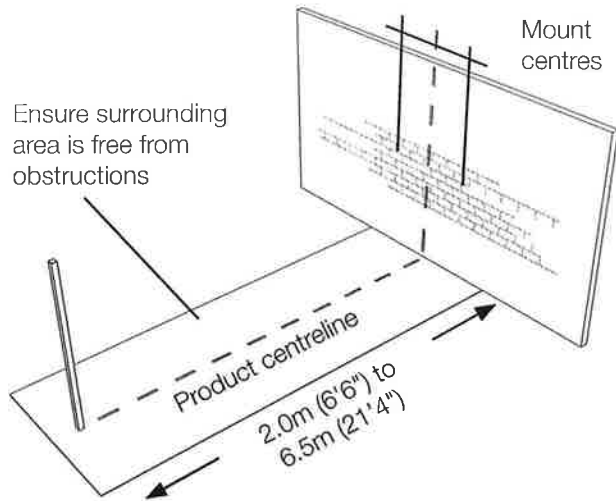
Determine the best location for the installation of your product (refer to page 4).

Mark out a centre line for your product within your allocated site.

**3.2** Ensure that either side of this centreline and the area where the cabinet is to be installed on the wall is free from pipes and other obstructions (**Fig. 1**).

**3.3** Mark the cabinet mount centres on the wall at the desired installation height (refer to page 5 and the table below).

**Fig. 1**



#### 'Mount Hole Centres'

| Centres (mm) | Centres (inch) |
|--------------|----------------|
| 705          | 27¾            |

#### 3.4 Drill holes in wall

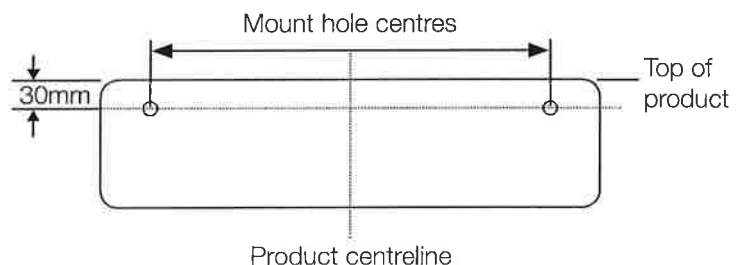
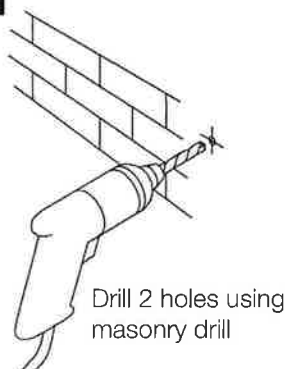
Masonry fasteners are **not** included with this product. When attaching to a sound masonry wall, we recommend using masonry sleeve (hex head) anchors (diameter 8mm x 45mm). Washers may be required depending on what fastener is used.

**3.5** If you are using these fasteners, drill a  $\varnothing 8\text{mm}$  (5/16") hole using a masonry drill (**Fig 2**).



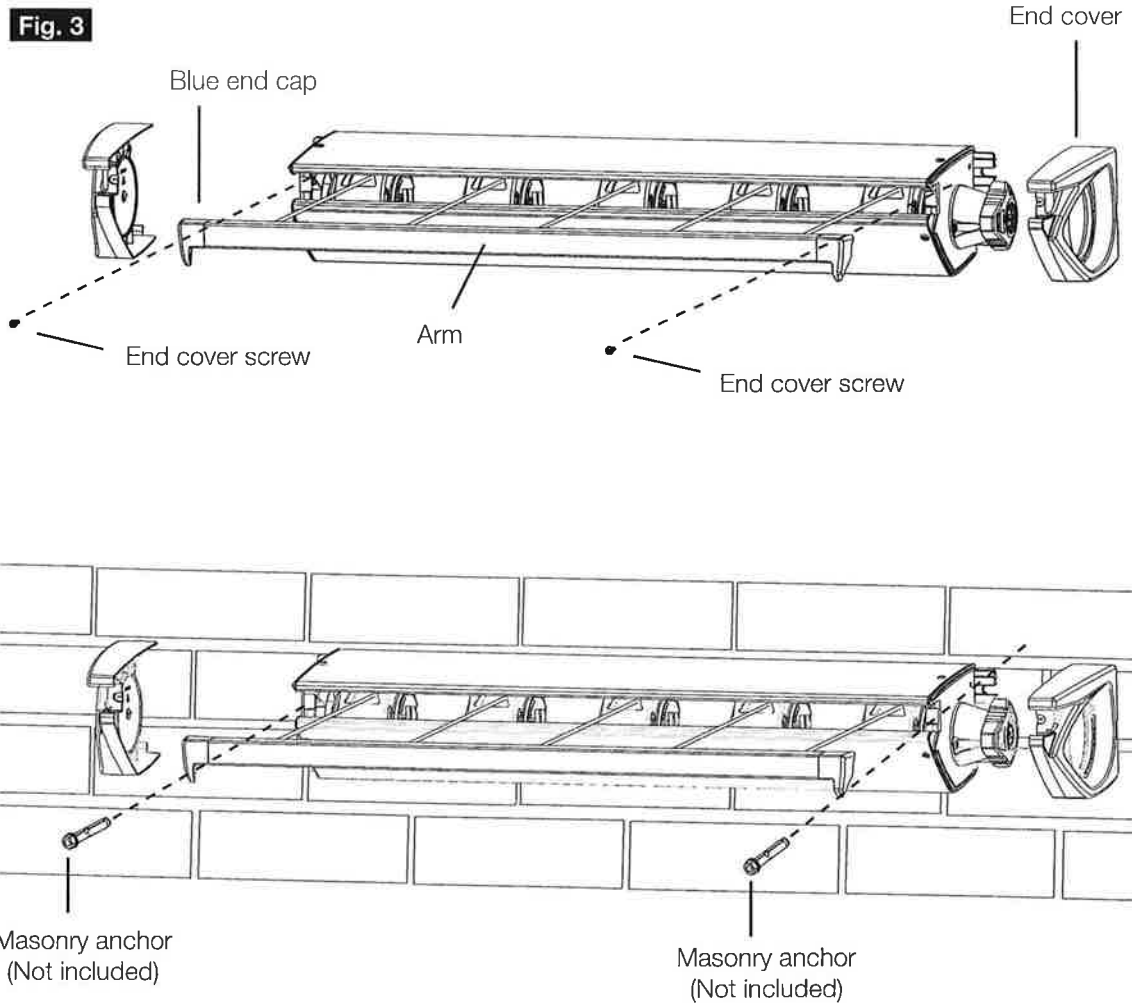
**Note:** If you are mounting to a different wall type, consult your hardware store for advice on the appropriate fasteners to use.

**Fig. 2**



### Step 3 (continued) – Mounting your cabinet to a wall

- 3.6 Remove the arm from the cabinet by pulling on the two blue end caps. Remove the end covers only from the cabinet by unscrewing the two screws (**Fig 3**).
- 3.7 Locate the cabinet on the wall, ensure cabinet is level. Using appropriate wall fasteners secure cabinet to the wall.
- 3.8 Re attach the cabinet end covers and secure with the screws. Refit arm into cabinet,



## Step 4 – Mounting your cabinet to a post

### 4.1 Prepare your cabinet location

Determine the best location for the installation of your product (refer to page 4).

Mark out a centreline for your product within your allocated site.

### 4.2 Determine your post locations.

Install as per the instructions supplied with your post kit.

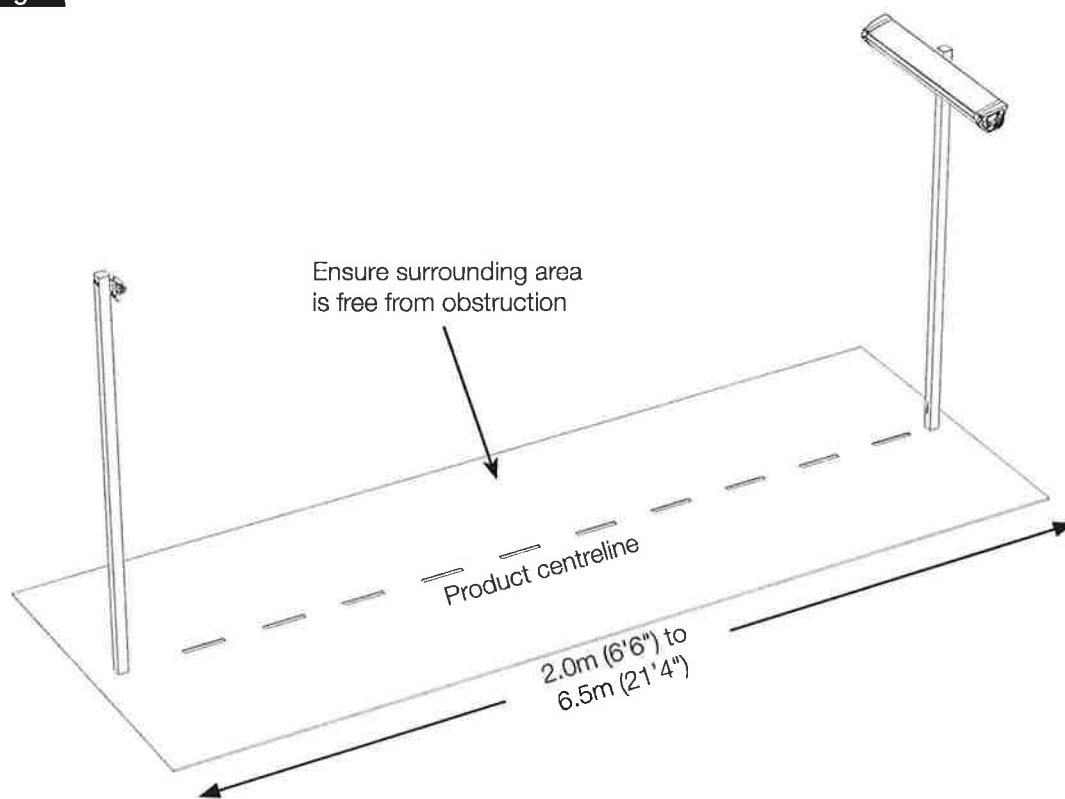
Refer to diagram on page 5 to determine the installation height.

Refer to page 2 for the post kit available.

### 4.3 To post mount your cabinet you will need to purchase a matching mount bar kit (refer to page 2).

### 4.4 Attach the mount bar to the post as per instructions supplied with your mount bar kit.

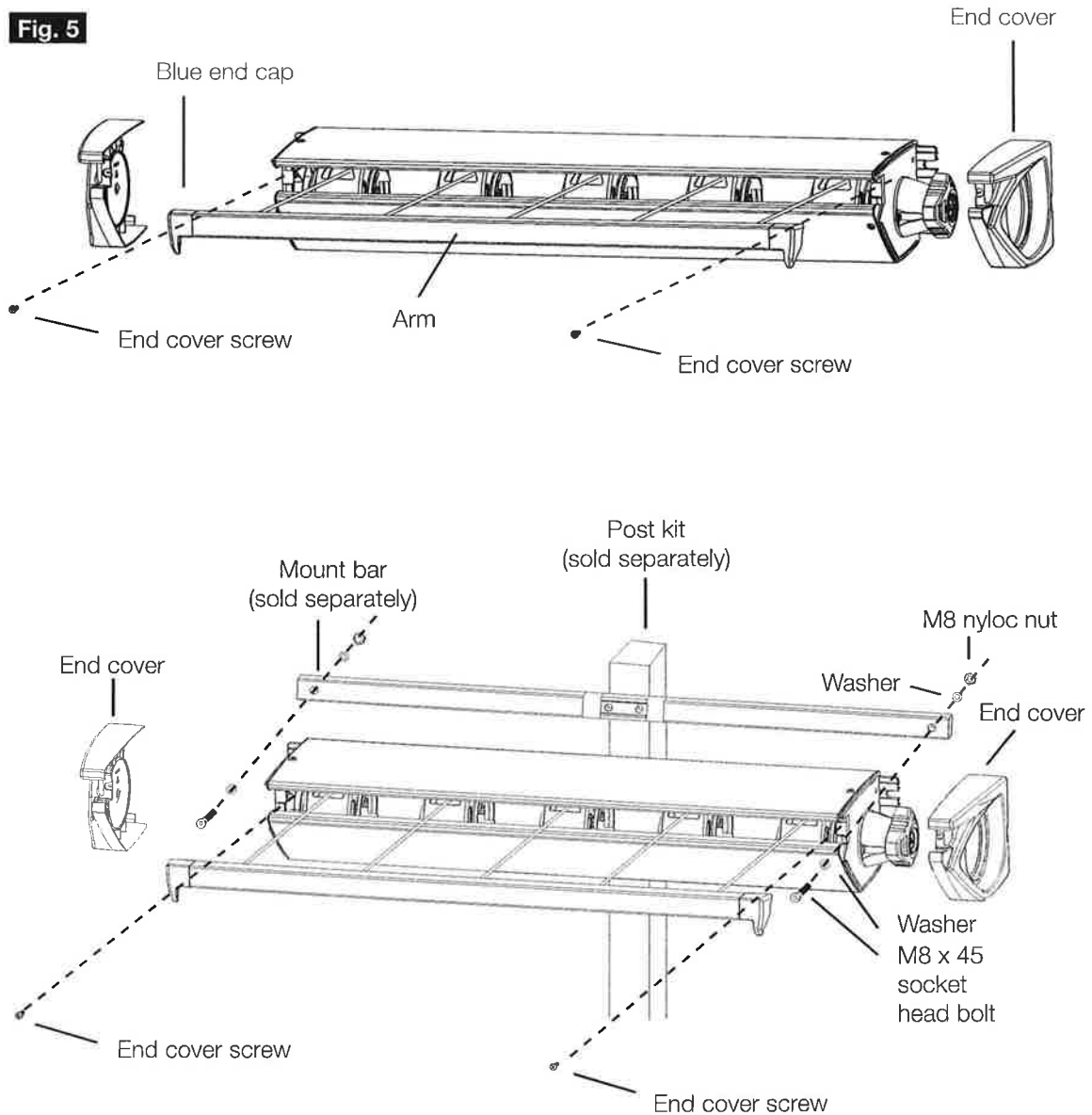
**Fig. 4**





### Step 4 (continued) – Mounting your cabinet to a post

- 4.5 Remove the arm from the cabinet by pulling on the two blue end caps. Remove the end covers only from the cabinet by unscrewing the two screws (Fig 5).
- 4.6 Locate the cabinet with the pre drilled holes in the mount bar (sold separately). Using the fasteners and instructions provided with the mount bar kit secure the cabinet to the post assembly (Fig 5).
- 4.7 Re attach the cabinet end covers and secure with the screws. Refit arm into cabinet.



## Step 5 – Mounting your receiving bracket to a wall

### 5.1 Prepare your receiving bracket location

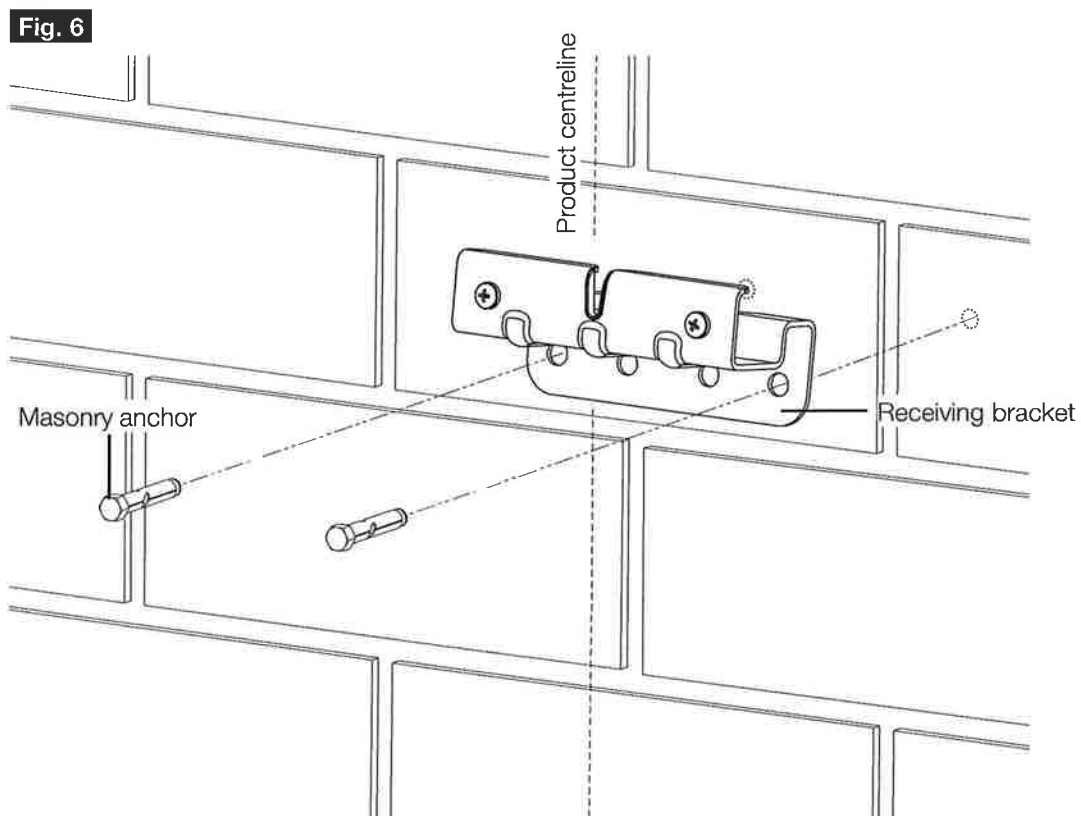
Mark the mount hole centres on your pre-determined centreline at the desired height (refer to page 5). Ensure there are no pipes or obstructions in the surrounding area.

### 5.2 Drill holes in the wall

Refer to page 6 for instructions on drilling holes and appropriate fasteners.

### 5.3 Securing your receiving bracket to the wall

Insert the masonry fasteners and secure (not included with this product). **(Fig. 6)**.



## Step 6 – Mounting your receiving bracket to a post

### 6.1 Prepare your receiving bracket location

On the pre-determined product centre, locate the position for your post and receiving bracket. Refer to page 4.

### 6.2 Install your post as per the instructions supplied with your post kit.

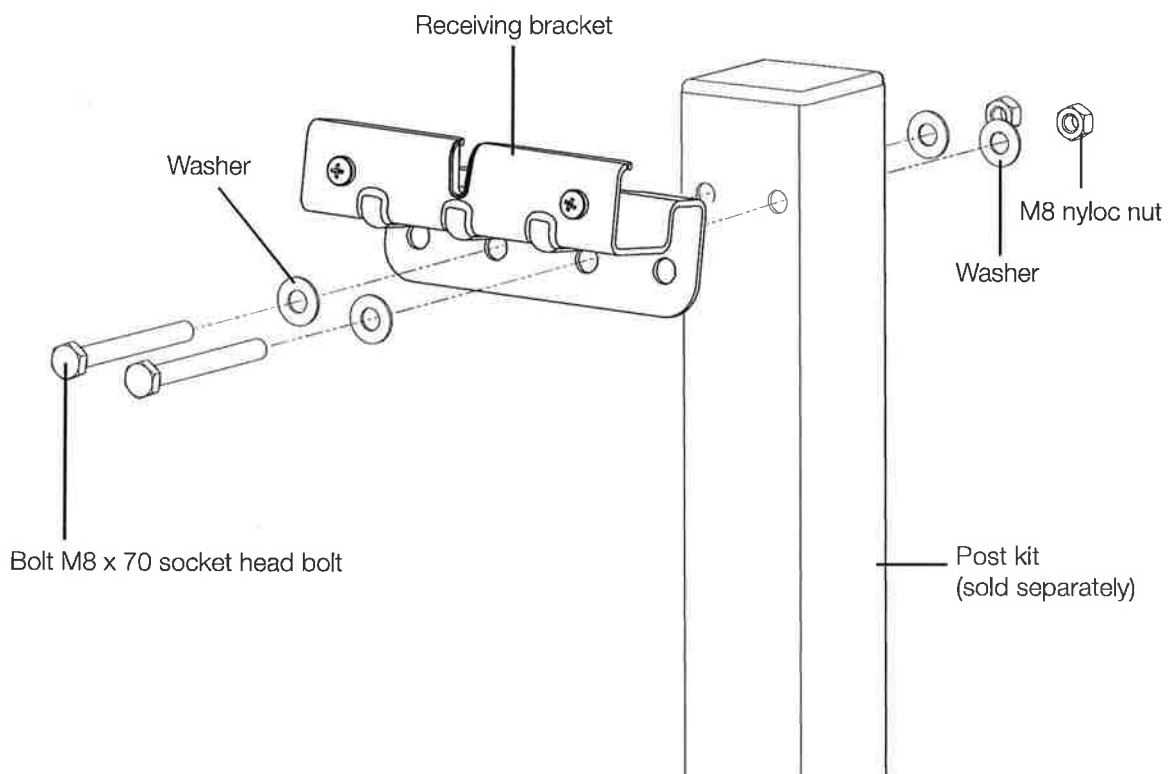
Refer to diagram on page 5 to determine the installation height of your post.

Refer to page 2 for the post kit available.

### 6.3 Secure the receiving bracket to a post

Using the fasteners supplied with your post kit attach the receiving bracket to the post kit assembly (**Fig. 7**).

**Fig. 7**

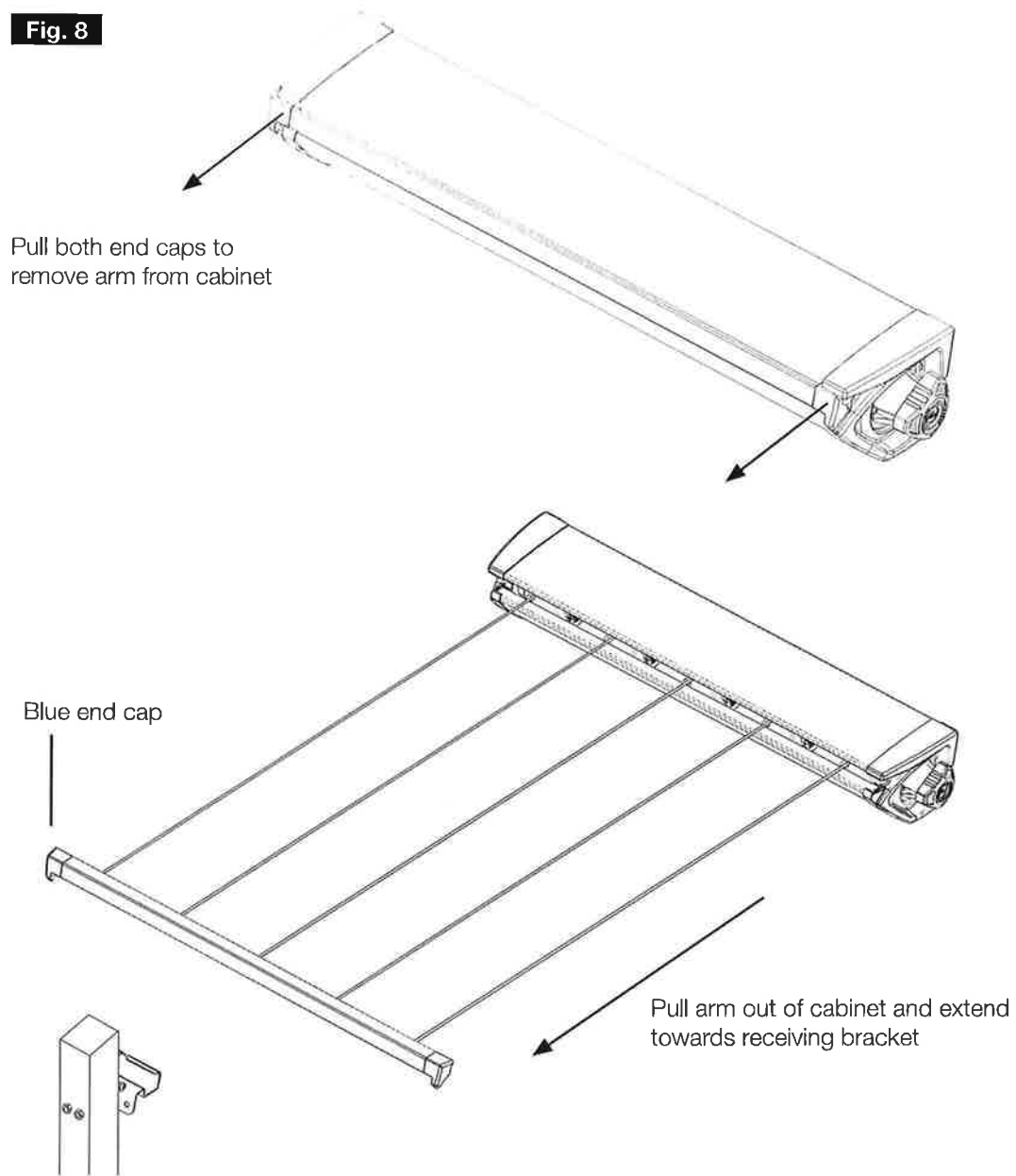


## Step 7 – Operation

 **WARNING: Do not** release the lock mechanism when there are clothes attached to the lines.

**7.1** To extend the arm and line assembly, remove the arm from the cabinet by pulling on the two blue end caps. Holding the handle firmly walk towards the receiving bracket (**Fig 8**).

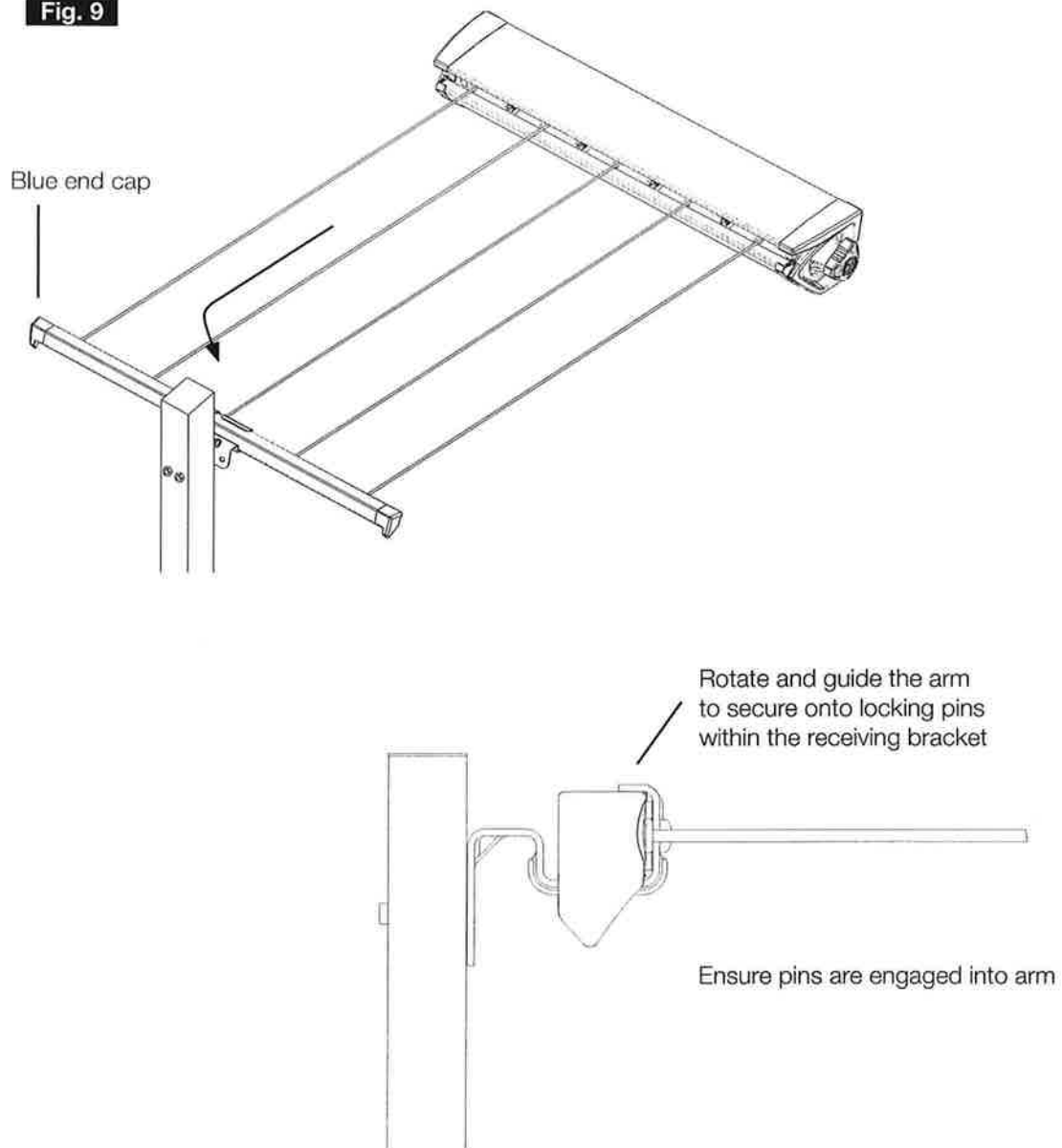
**Fig. 8**



## Step 7 (continued) – Operation

- 7.2 To attach the arms to the receiving bracket, grip the arm with each hand either side of the receiving bracket and place the arm within the bracket ensuring the two pins in the bracket engage into the holes in the arm (**Fig 9**).

**Fig. 9**



## Step 7 (continued) – Operation

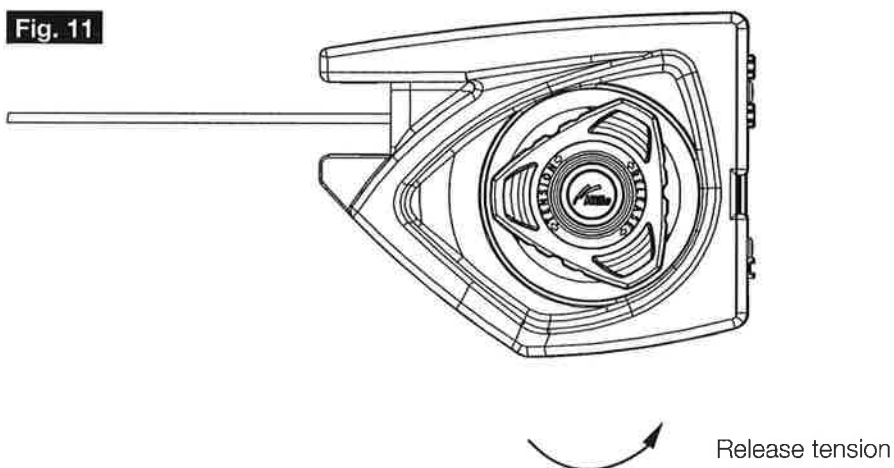
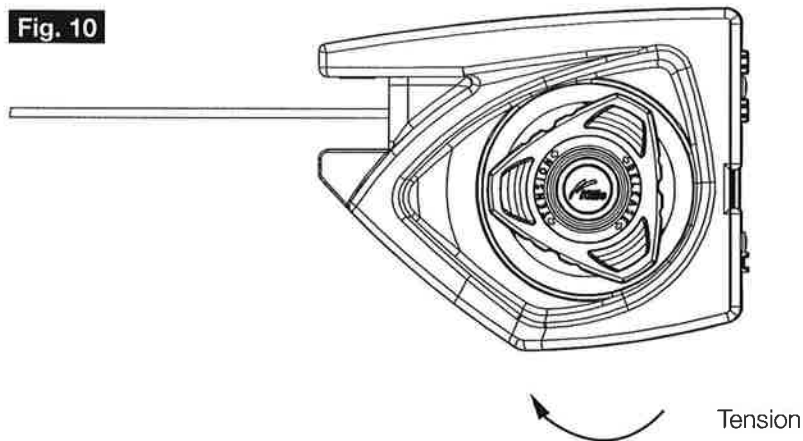
### 7.3 To tension the lines:

With the arm engaged correctly in the receiving bracket turn the tension knob on the cabinet clockwise to tension (**Fig 10**).

### To un-tension the lines:

**!** **WARNING:** Ensure the lines are not under tension before un-latching and releasing the arm from the receiving bracket.

7.4 With all the clothes and washing removed from the lines rotate the tension knob anti clockwise (**Fig 11**).



## Step 7 (continued) – Operation

**7.5** Hold the arm firmly, remove it from the receiving bracket and walk it back to the cabinet keeping the arm horizontal and in line with the cabinet.



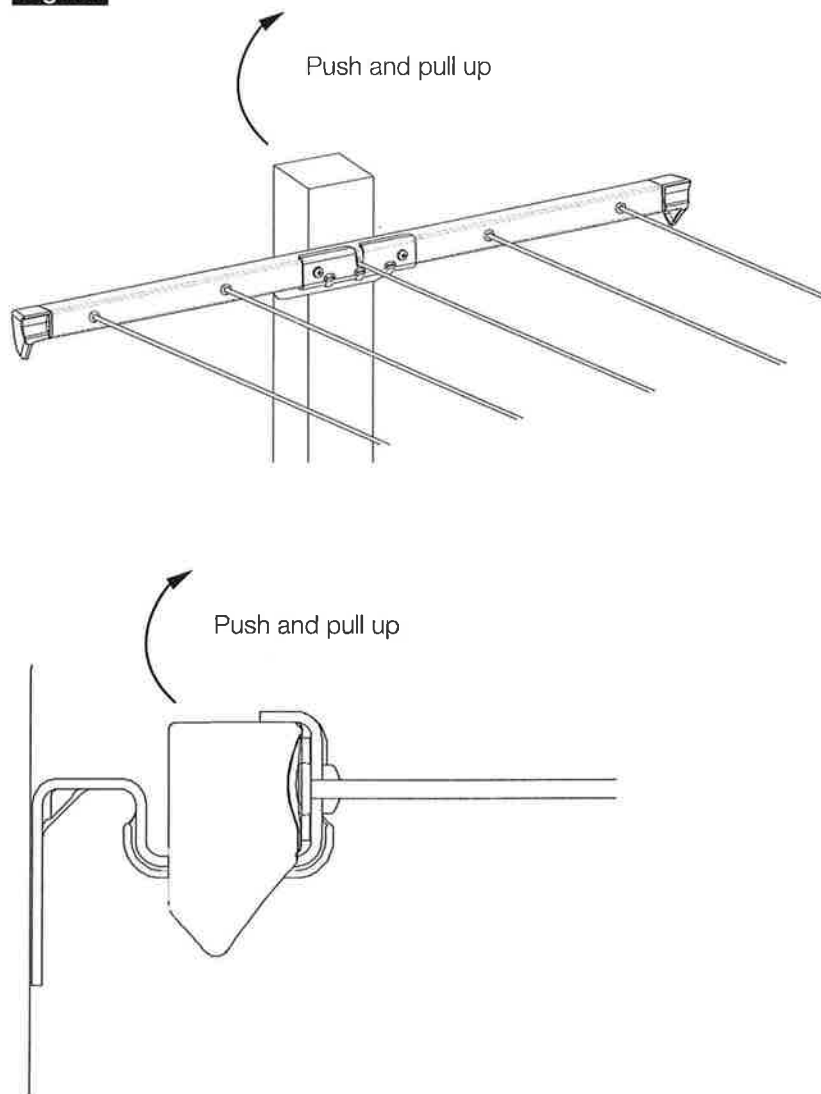
**WARNING: Do Not** release the arm and allow it to retract uncontrolled.

**7.6** Replace the arm into its position in the cabinet (**Fig 12**).



**Note:** If the line returns unevenly to the cabinet pull the arm out 1m once or twice and allow to return until line is stored evenly.

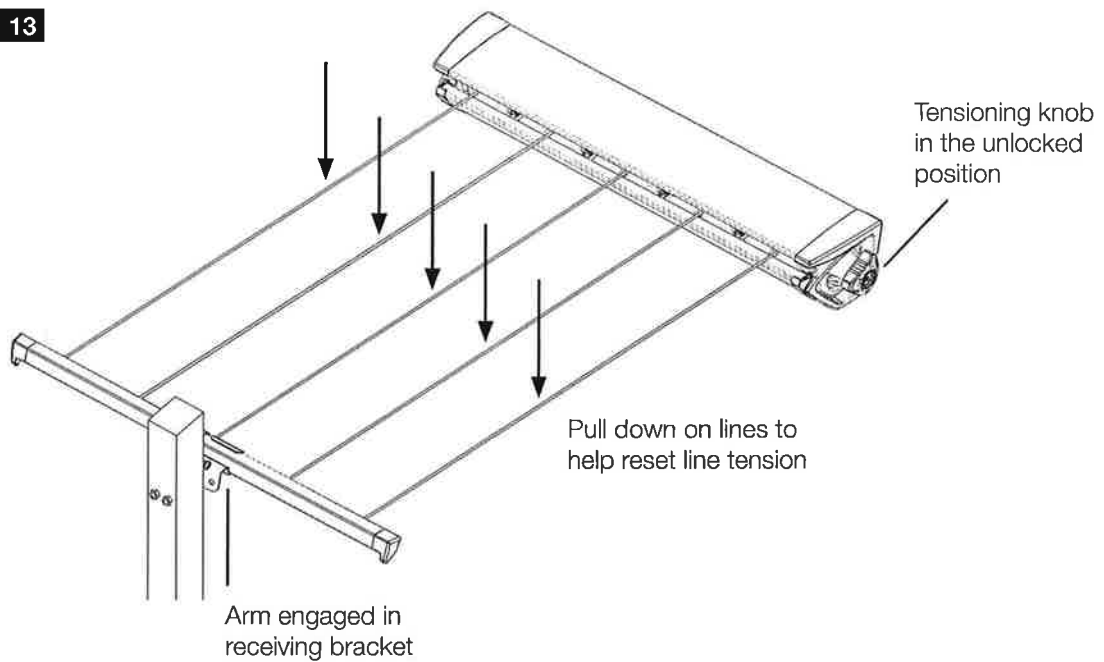
**Fig. 12**



## Step 8 – Adjusting tension

- 8.1 If after installation you find your product is not tensioning uniformly, please follow steps 8.2 to 8.5.
- 8.2 With the arm engaged in the receiving bracket and the tensioner in the unlocked position, pull down on the lines individually to reset the line tension (**Fig 13**).
- 8.3 Remove arm from bracket and return it to the cabinet.
- 8.4 Pull out arm again, locate in bracket and tension with knob.
- 8.5 Repeat if tension is still not adequately even.

**Fig. 13**





**8.6** If after trying the method in steps 8.2 to 8.5, your product is still not evenly tensioned to your satisfaction, you can manually adjust the tension of individual lines.\*

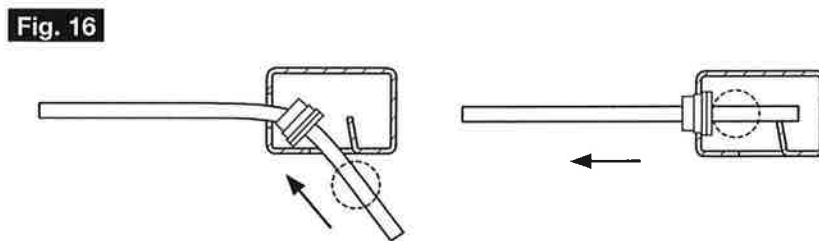
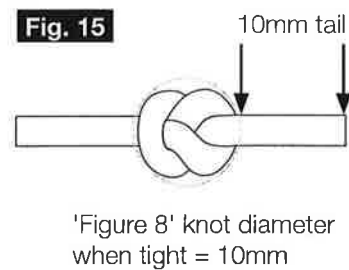
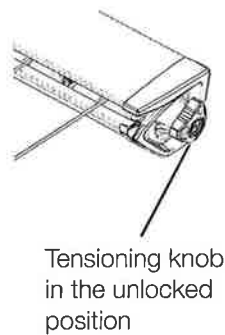
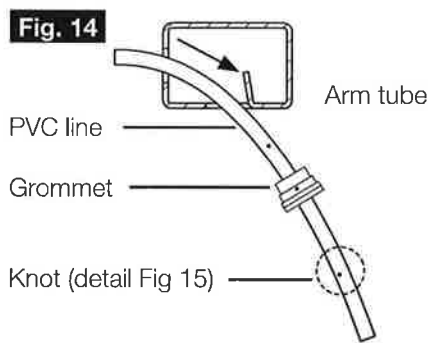
**8.7 To manually tension a line:**

Feed back the particular line through the arm. Make sure tensioning knob is in the unlocked position (**Fig 14**).

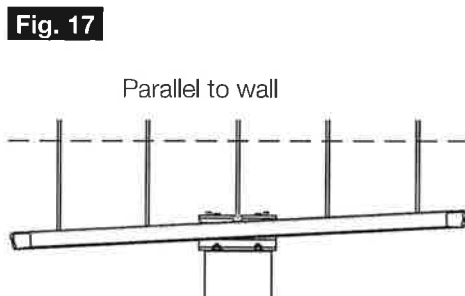
**8.8** Loosen the knot securing the line (ensure the grommet doesn't fall out) and pull the line to your desired tension.

**8.9** Ensure knot is tied correctly to stop line pulling through arm when clothes are applied to the line (**Fig 15**). Re-tie knot to re-secure line (**Fig 16**).

**8.10** Repeat manual tensioning method for any other lines that require tension adjustment.



\* Steps 8.7 to 8.10 can also be used if you notice your arm is not sitting in the receiving bracket parallel to the wall and requires adjustment (**Fig 17**).



## Hills Handy Hints

When hanging thick or bulky items, we suggest you lay the item over more than one line.

When you don't expect to fill the capacity of your clothesline, hang your clothes on the outer lines, as this will allow clothes to dry more easily.

## Care and Maintenance

Regularly inspect all components and check for wear and tear or damage. Ensure fasteners are secure. If there is any damage, parts should be replaced with original Hills spares. The Clothesline should be repaired before using again.

Your Clothesline should be periodically wiped clean with a damp cloth and mild detergent.


We do not recommend the use of oil or 'WD' type lubricants on any part of the Clothesline.

To maintain appearance and durability of coatings on metal components we recommend a twice yearly application of a reputable brand of car polish or wax.

## Hills Clothes Pegs

### Available from leading retailers

- Stylish, contemporary clothes pegs
- Dual moulded for comfort and grip
- UV stabilised for sun protection
- Rust-resistant stainless steel spring
- Selection of fashion colours
- 2 year guarantee

 **WARNING: CHOKING HAZARD!**  
Small parts. Not for children under 3 yrs.  
Not to be used as a toy.



## Hills Guarantee

Hills Holdings Limited undertakes that if any part of its manufacture has failed to operate correctly due to faulty workmanship or defective material, it will repair or replace the part free of cost for a period of TEN (10) years from date of purchase of the article, given fair wear and tear. The PVC line is also guaranteed for a period of ONE (1) year. Evidence of unfair usage or incorrect adjustment by the owner will void this promise.

Hills Holdings Limited will not be responsible for any costs in connection with freight or postage, or for expenditure necessary to dismantle the article, replace the part in position and re assemble the article.

This guarantee is in addition to any legal rights or remedies conferred on the consumer.

Hills Holdings Limited does not recommend the application of a 'canopy' on any of their outdoor dryer range.

Unless any addition or attachment to this product has Hills specific approval or is sold as a Hills product the warranty on this product is waived. The product is designed to perform a specific task under established test loads and unauthorised attachments may produce stresses for which the design is not appropriate.

Designs, specifications and colours are subject to change without notice.

Please retain this Owner's Manual. Record the following information from the carton for future reference.

Product Number: .....

Date of purchase: .....

Name and location of store: .....

.....

## Hills Contacts

As a proudly Australian company we are committed to provide you with complete customer satisfaction. If you have questions about this product or find there are missing or damaged parts please contact your nearest Consumer Advice Centre during their local business hours.

### Australia

1300 300 564  
info@hills.com.au

### New Zealand

09 262 3052  
sales@hills.co.nz

### North America

877 534 1371 (USA, Eastern)  
gsutterlin@verizon.net

### Europe

+44 (0) 118 973 8971 (UK)  
enquiries@greenergardensolutions.co.uk

### South Africa

021 442 1540  
info@stingray.co.za

## Hills Websites

**www.hillsproducts.com.au**

Hills Branded Products

**www.hillsholdings.com.au**

Hills Holdings Limited



Designed and tested under a  
Quality System that meets Hills  
demanding quality specifications.