

Fort Whorth, Texas 76140

ASSEMBLY INSTRUCTIONS

760 LOW LOFT BED



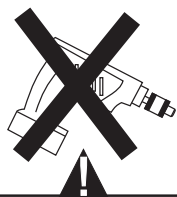
OPTIONAL COMPONENTS

- 3 DRAWERS CHEST
- DESK
- BOOKCASE

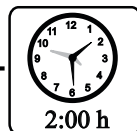
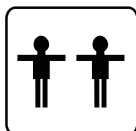
Thank you for purchasing this quality product. Be sure to check all packing material carefully for small parts which may have come loose inside the carton during shipment. Separate, identify and count all parts and hardware.

Compare with the parts list to be sure all parts are present.

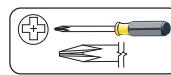
"DO NOT TIGHTEN SCREWS UNTIL COMPLETELY ASSEMBLED"



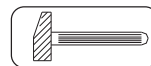
* Use of power tool to assemble this product will invalidate any claim and damage this product making unsafe !!!
* Please assemble on a clean soft surface to avoid damage.



Tools Required



(Not includ)

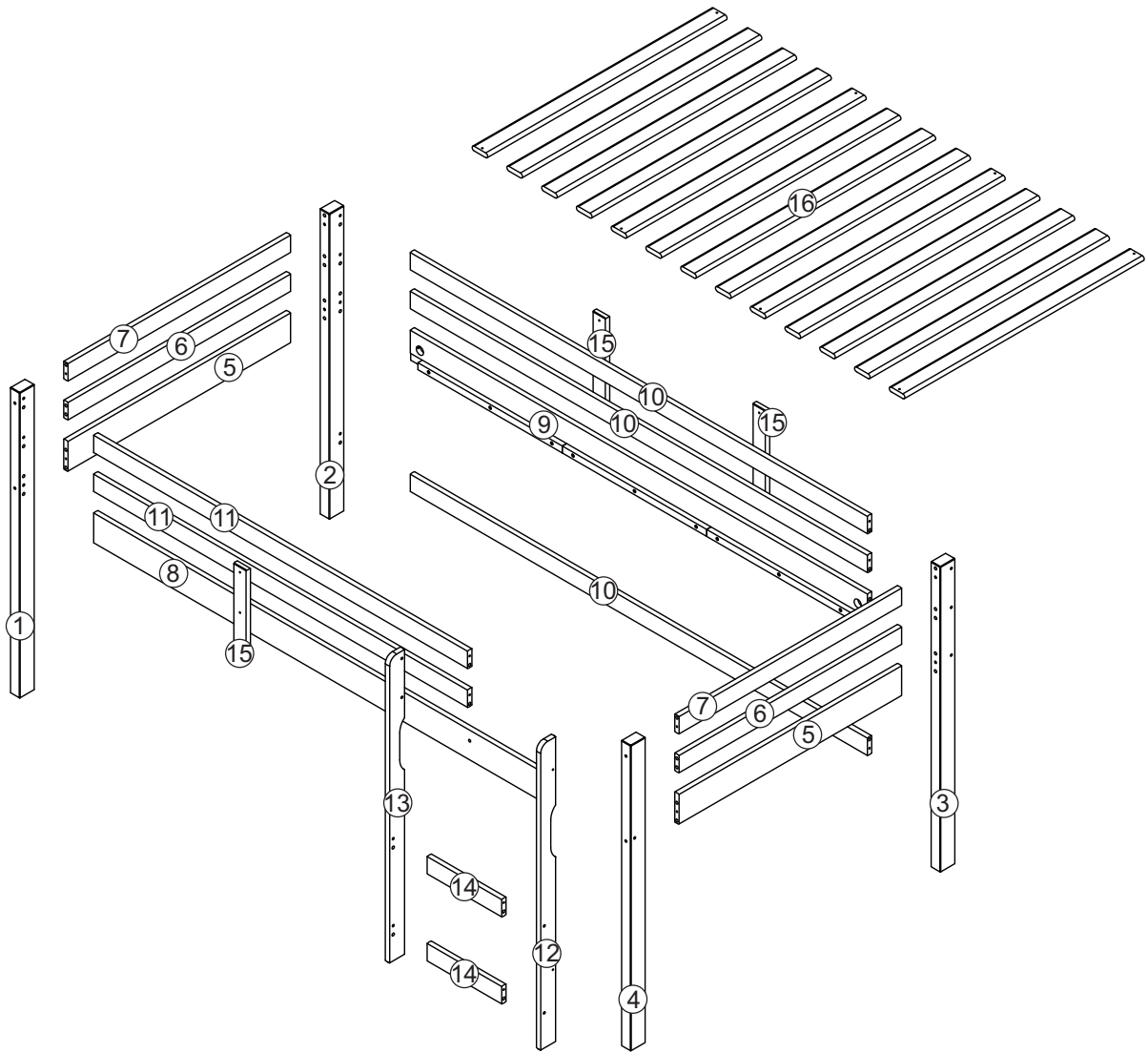


(Not includ)

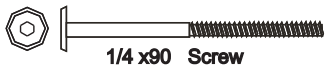

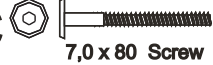
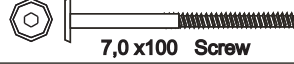

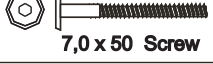



IMPORTANT:

PLEASE READ INSTRUCTION BEFORE STARTING THE ASSEMBLY

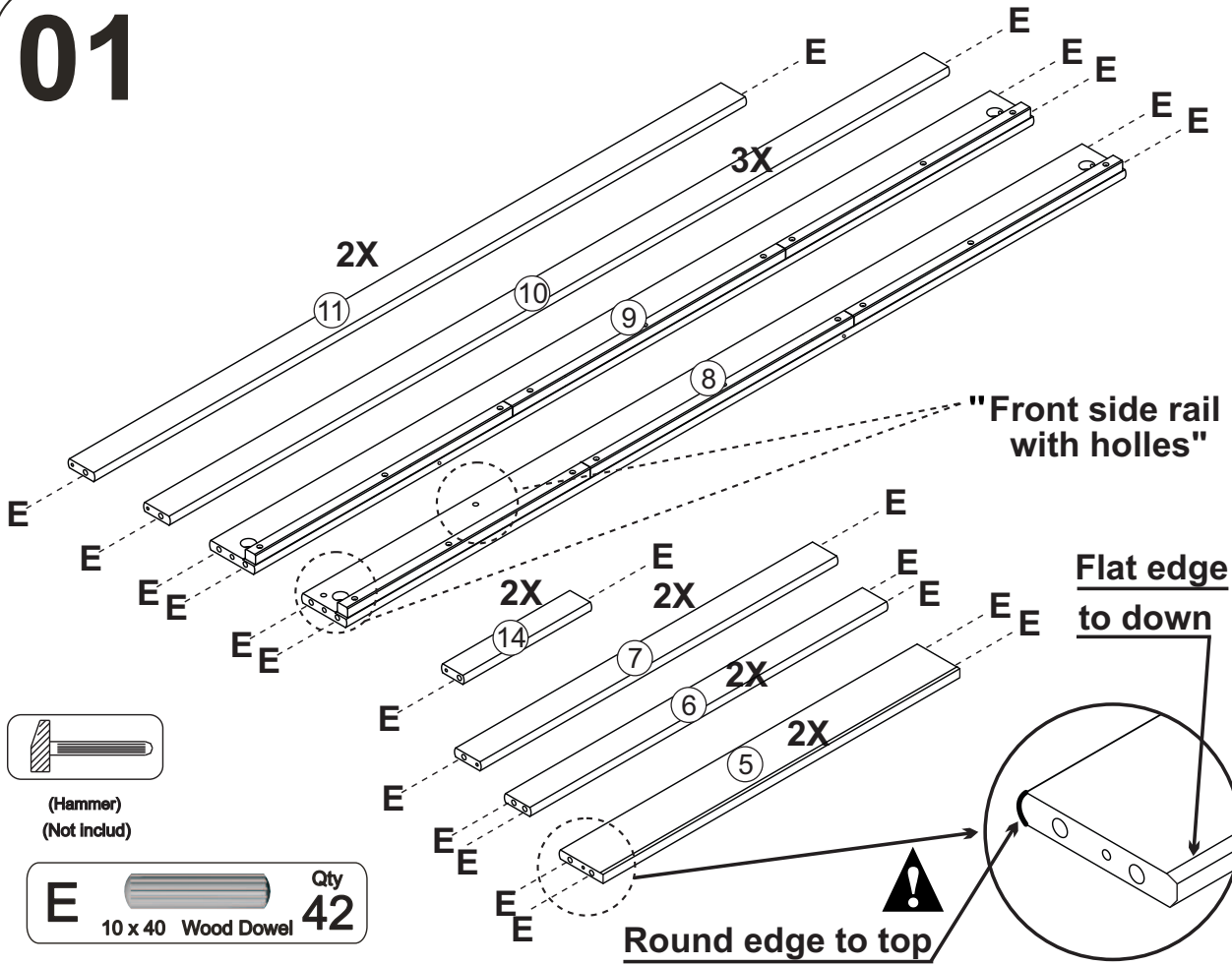
Part List - 760 LOW LOFT BED



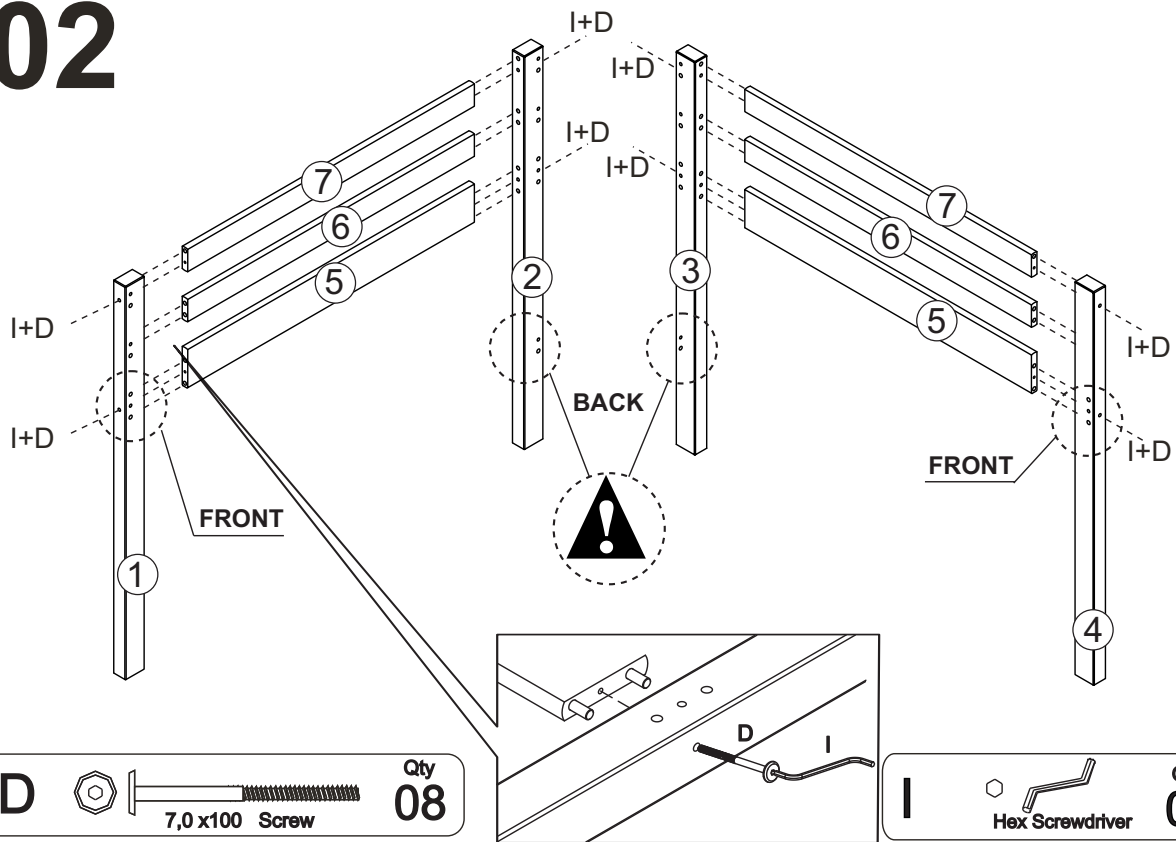
Identifying the Hardware-Identify the hardware using the illustrations below.

A  Qty 04 1/4 x 90 Screw	B  Qty 04 1/4" Half Moon	C  Qty 08 7,0 x 80 Screw
D  Qty 08 7,0 x 100 Screw	E  Qty 42 10 x 40 Wood Dowel	F  Qty 08 7,0 x 50 Screw
G  Qty 17 4,0 x 30 Screw	H  Qty 02 4,0 x 40 Screw	I  Qty 01 Hex Screwdriver

01

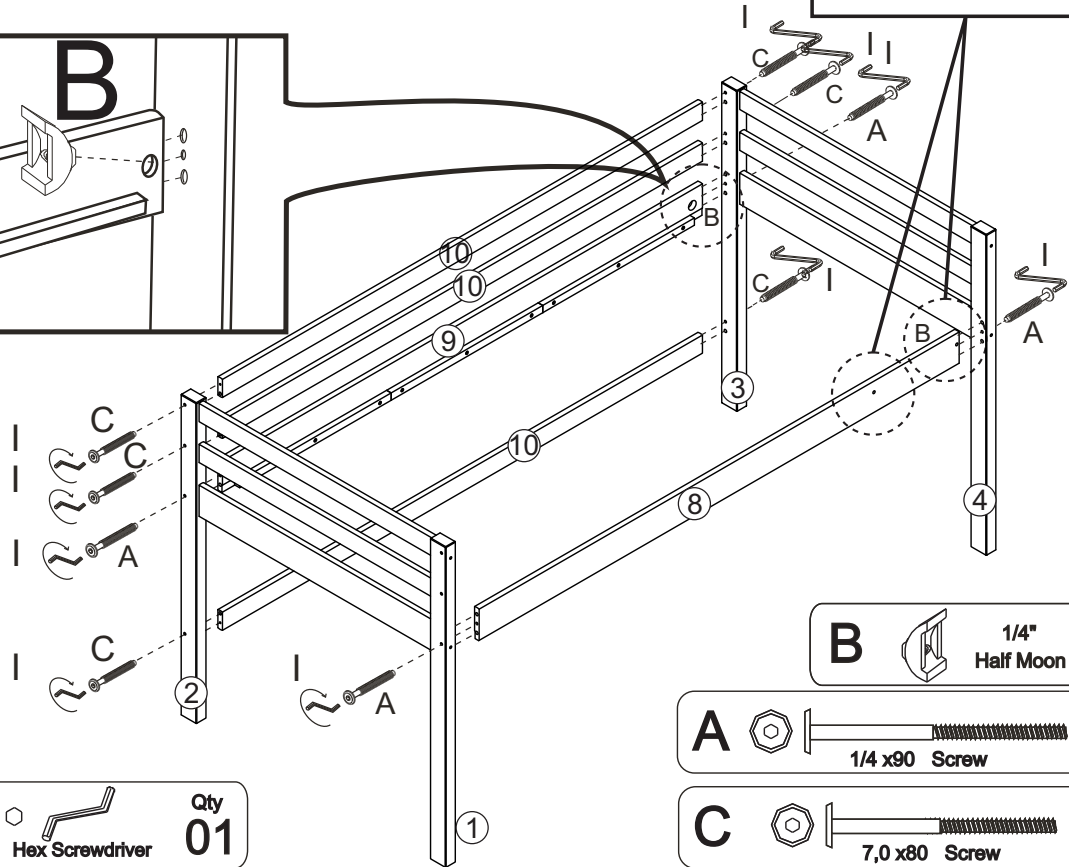
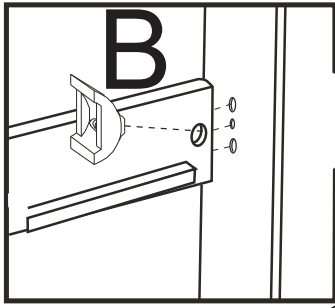


02



03

FRONT



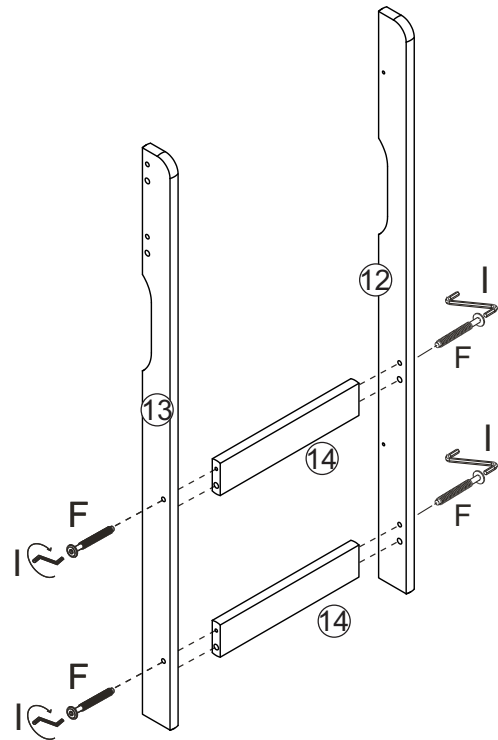
I Hex Screwdriver Qty **01**

B 1/4" Half Moon Qty **04**

A 1/4 x 90 Screw Qty **04**

C 7,0 x 80 Screw Qty **06**

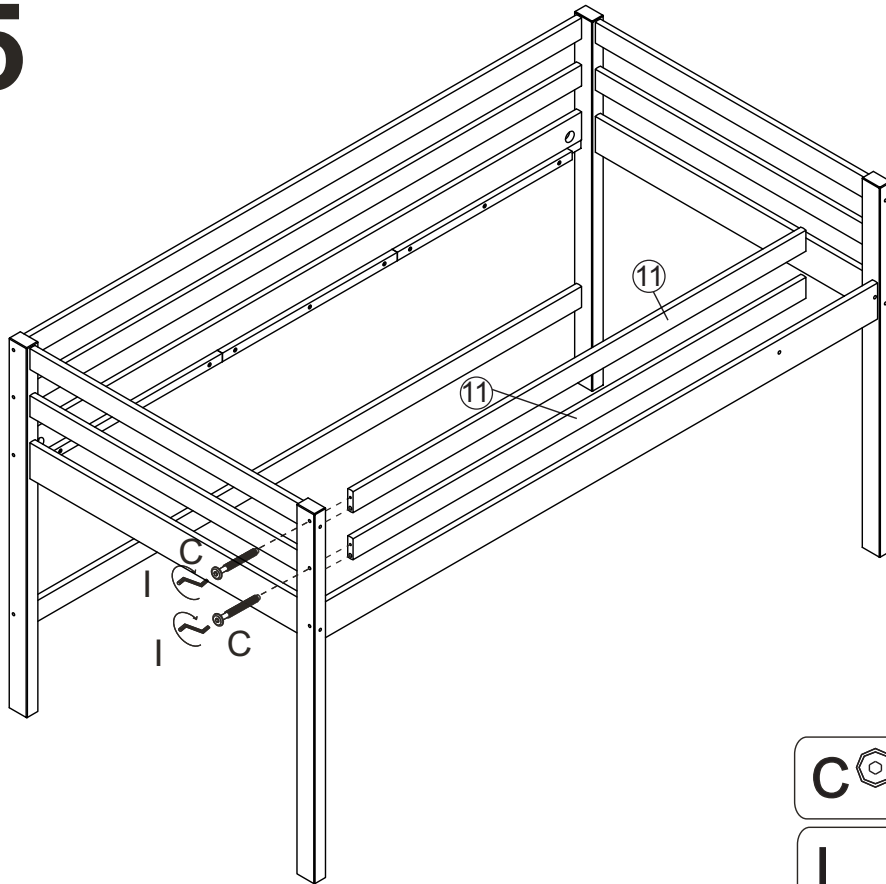
04




F 7,0 x 50 Screw Qty **04**

I Hex Screwdriver Qty **01**

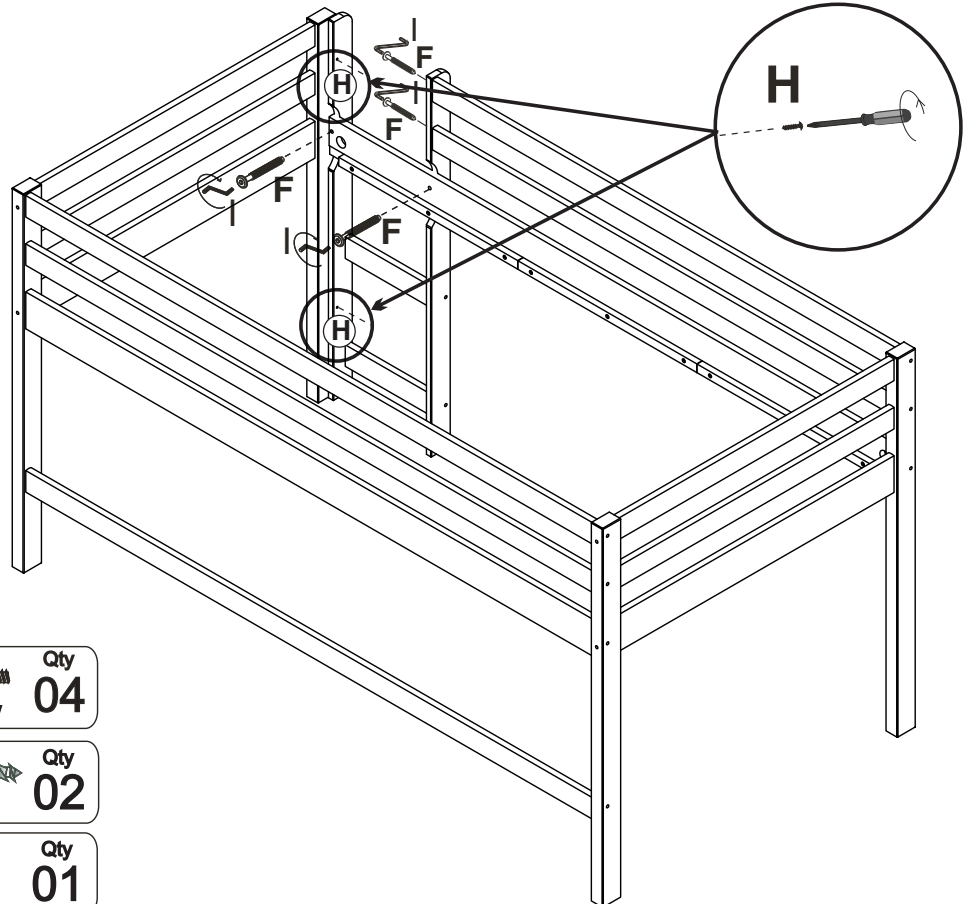
05




C  Qty **02**
7,0 x 80 Screw

I  Qty **01**
Hex Screwdriver

06

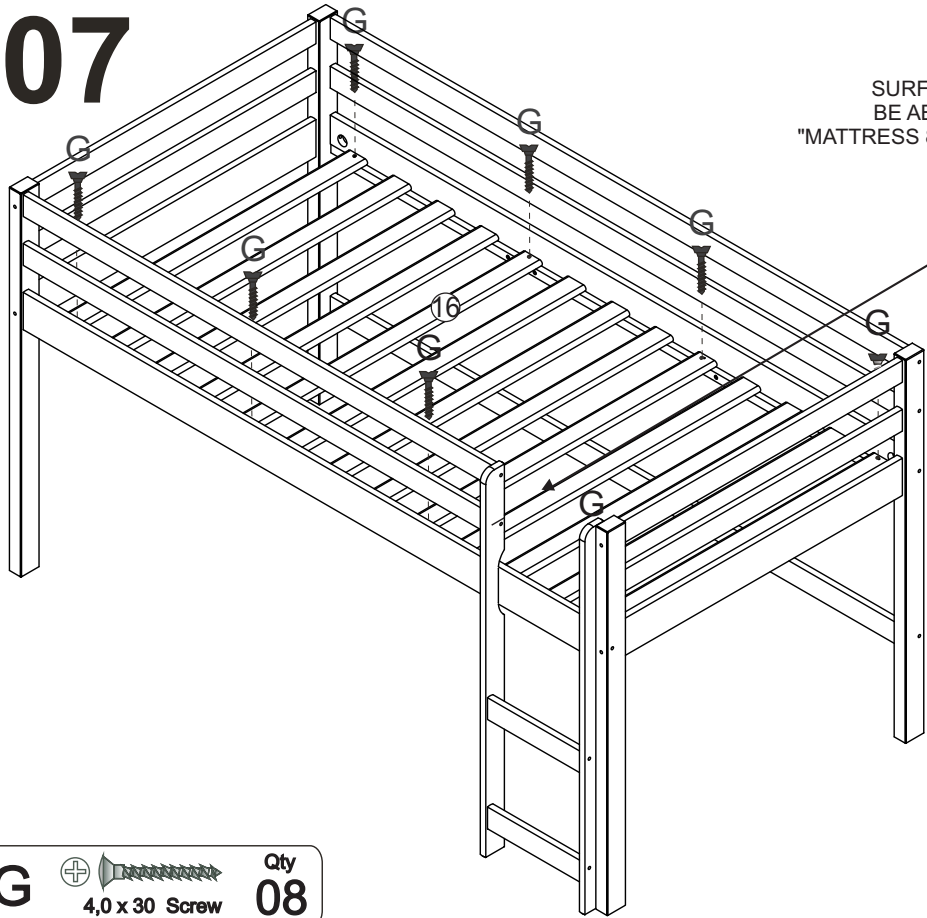


F  Qty **04**
7,0 x 50 Screw

H  Qty **02**
4,0 x 40 Screw

I  Qty **01**
Hex Screwdriver

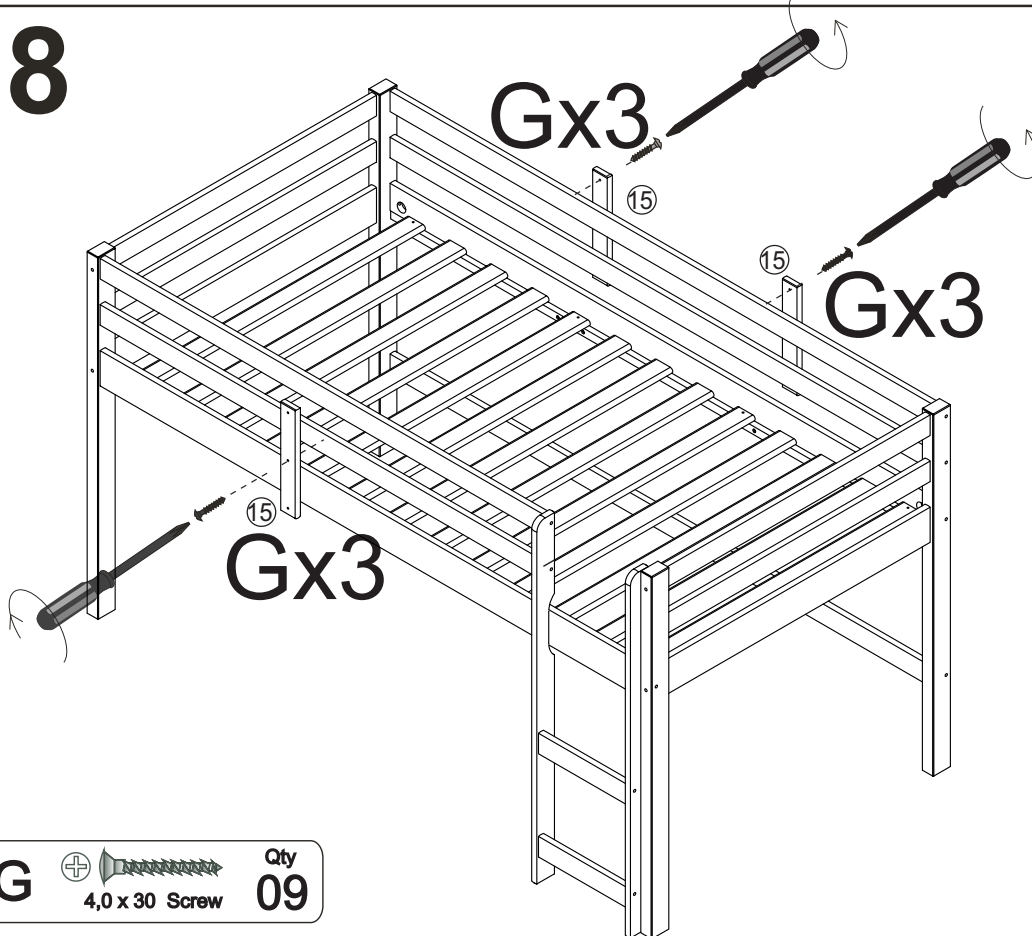
07




WARNING
THE MATTRESS
SURFACE MUST NOT
BE ABOVE THIS LINE
"MATTRESS 8" HIGH LIMITED"

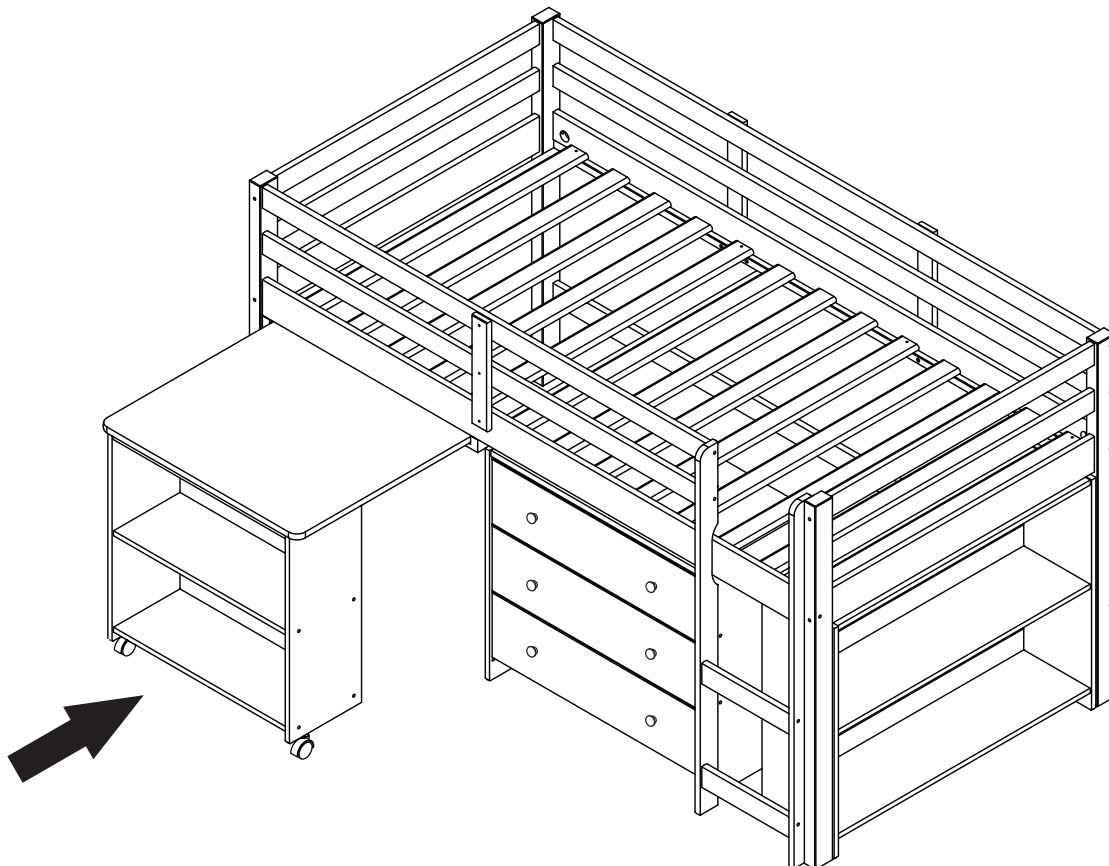
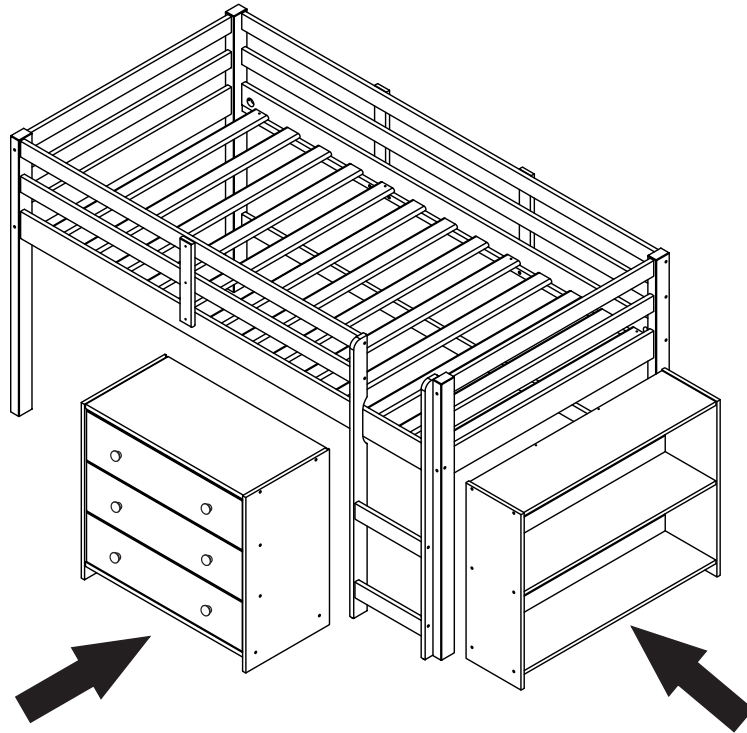
G  Qty **08**
4,0 x 30 Screw

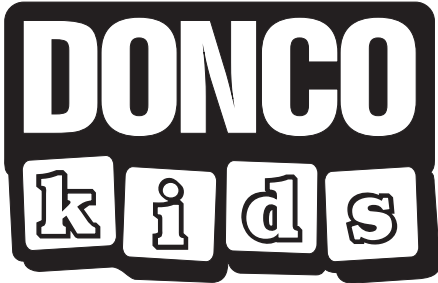
08



G  Qty **09**
4,0 x 30 Screw

OPTION COMPONENTS

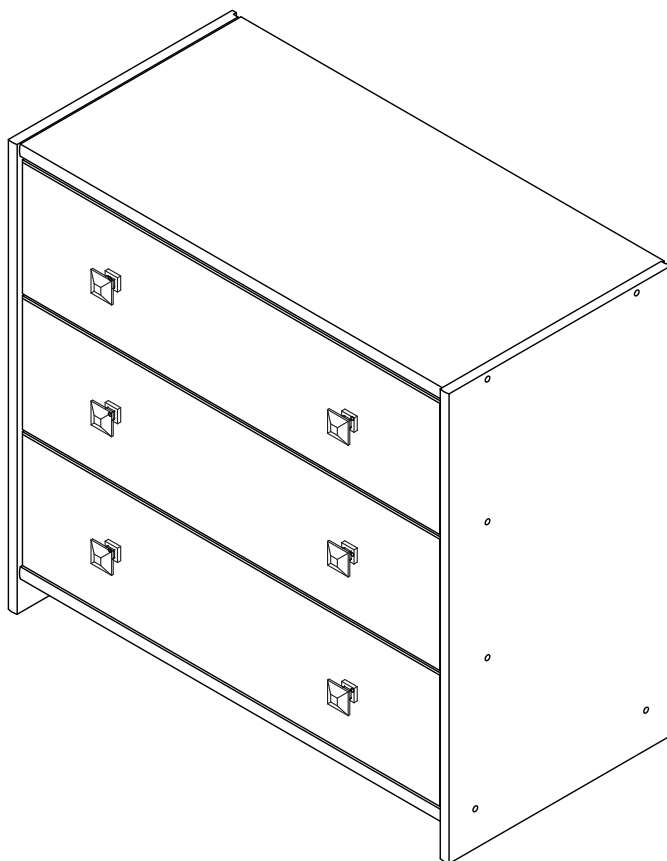




Fort Worth, Texas 76140

ASSEMBLY INSTRUCTIONS

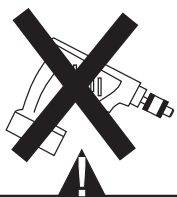
**760 3 DRAWERS CHEST
METAL KNOB**



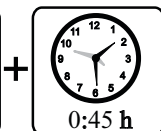
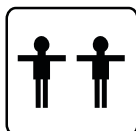
Thank you for purchasing this quality product. Be sure to check all packing material carefully for small parts which may have come loose inside the carton during shipment. Separate, identify and count all parts and hardware.

Compare with the parts list to be sure all parts are present.

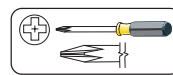
"DO NOT TIGHTEN SCREWS UNTIL COMPLETELY ASSEMBLED"



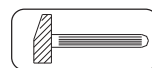
* Use of power tool to assemble this product will invalidate any claim and damage this product making unsafe !!!
* Please assemble on a clean soft surface to avoid damage.



Tools Required



(Not include)

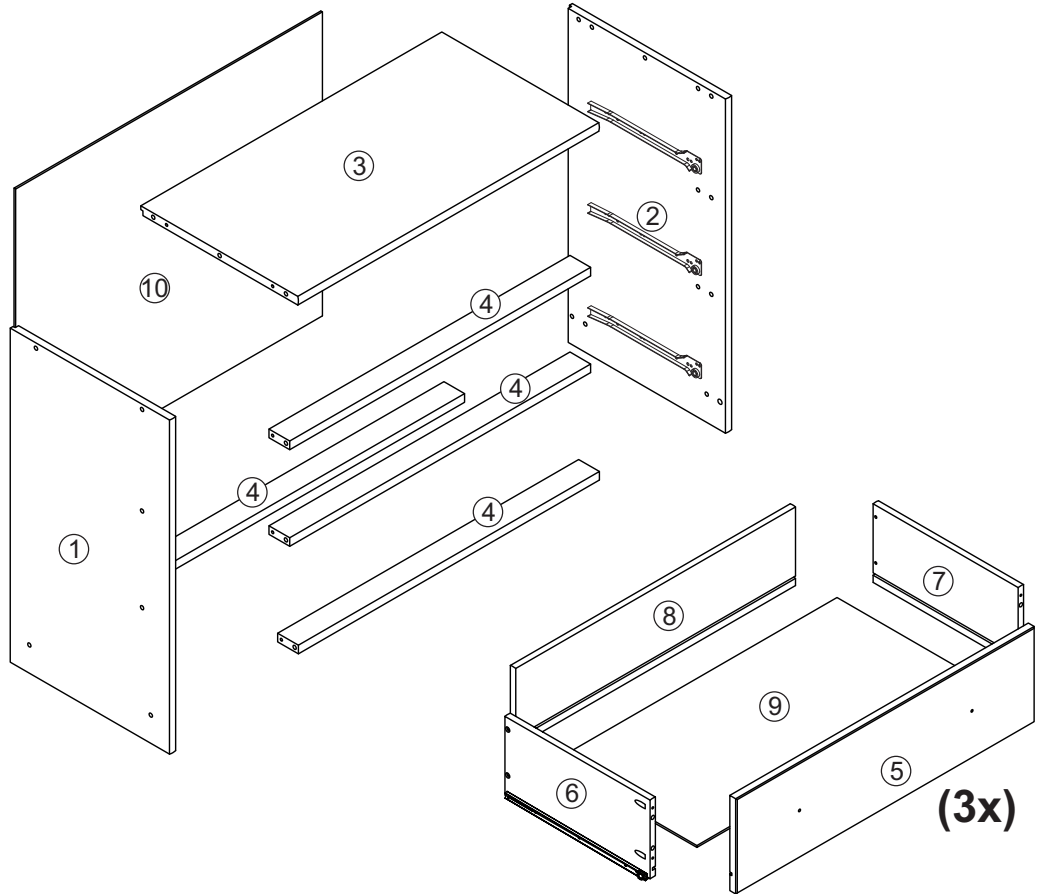


(Not include)

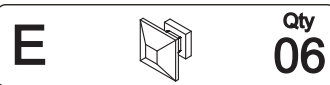
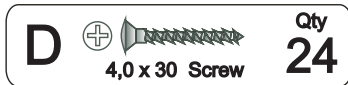
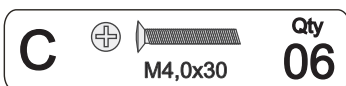
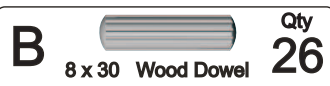
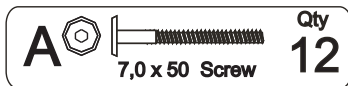
IMPORTANT:

PLEASE READ INSTRUCTION BEFORE STARTING THE ASSEMBLY

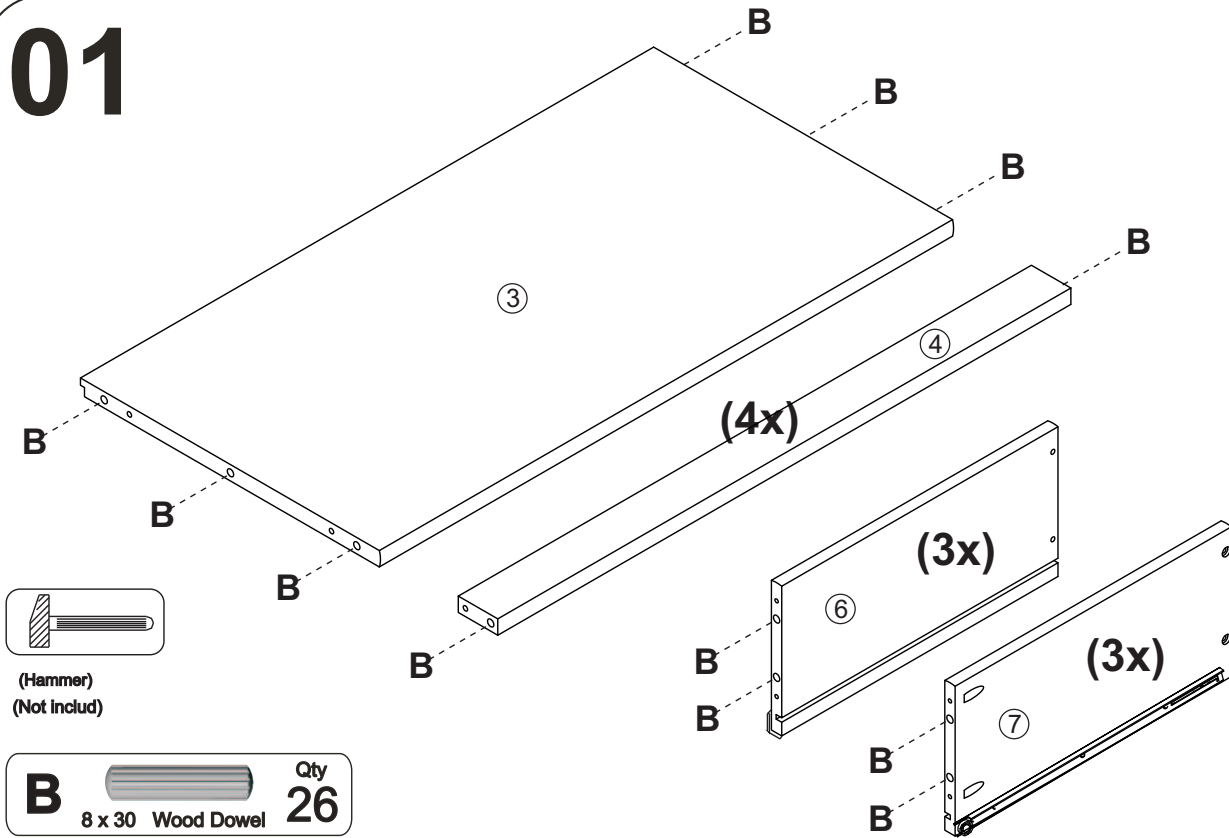
Part List - 760 3 DRAWERS CHEST



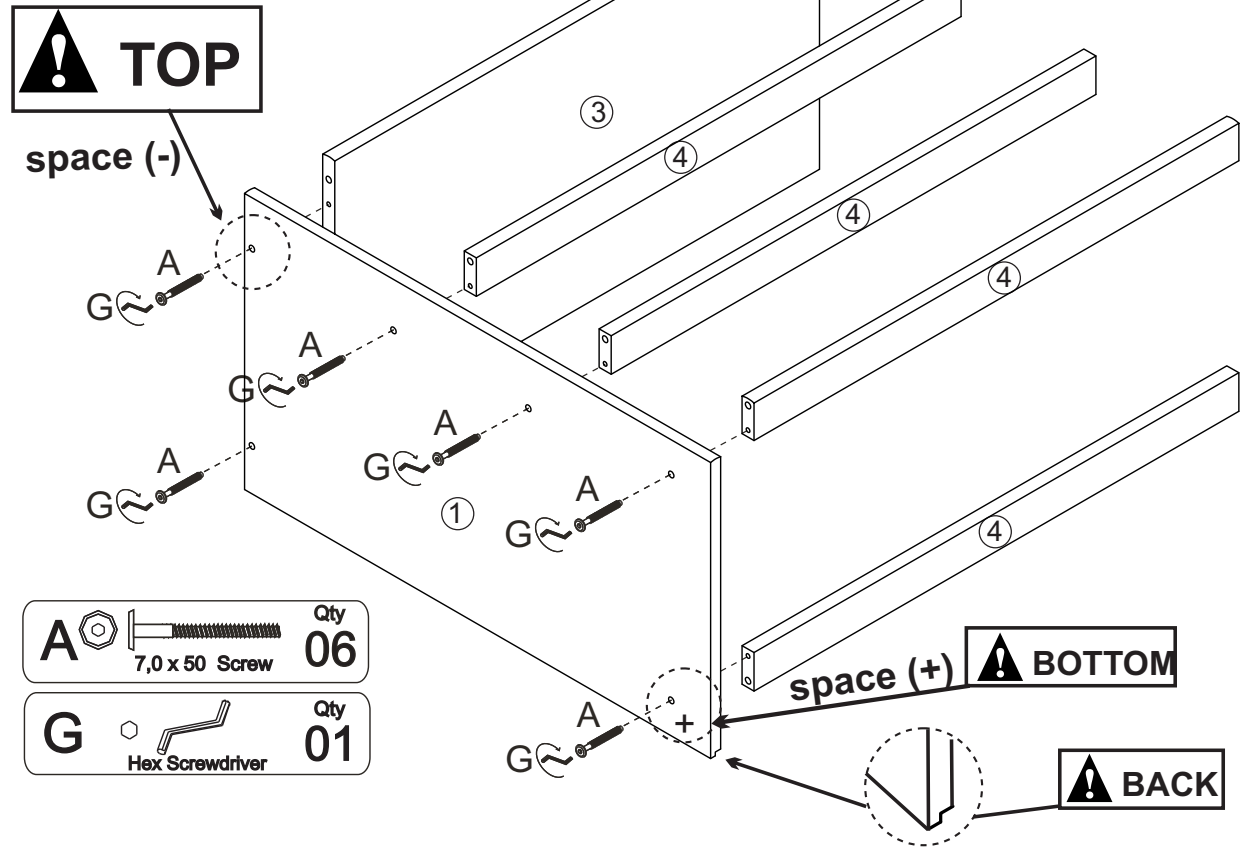
Identifying the Hardware-Identify the hardware using the illustrations below.



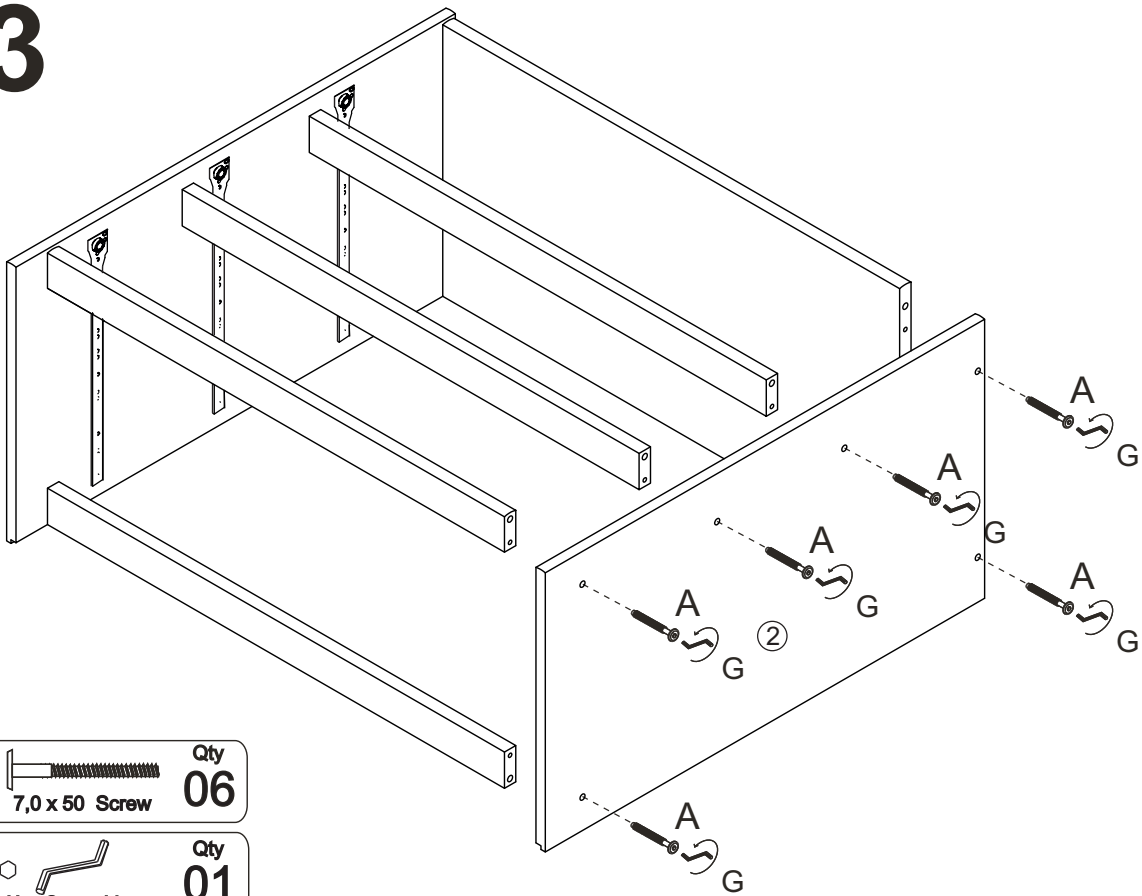
01




02



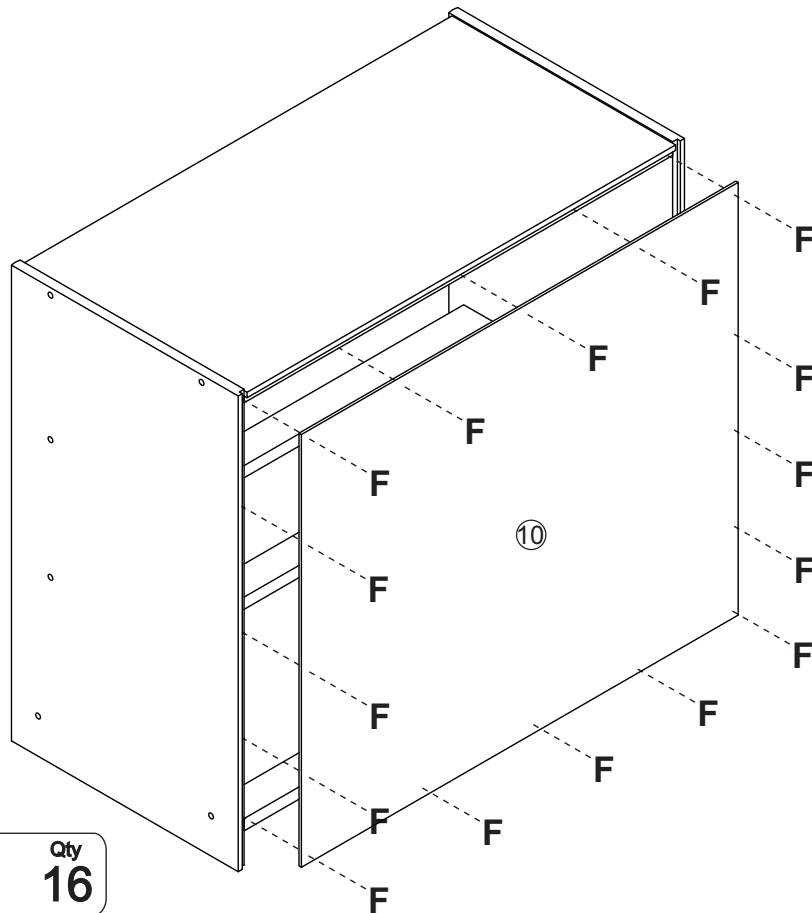
03




A  Qty **06**
7,0 x 50 Screw

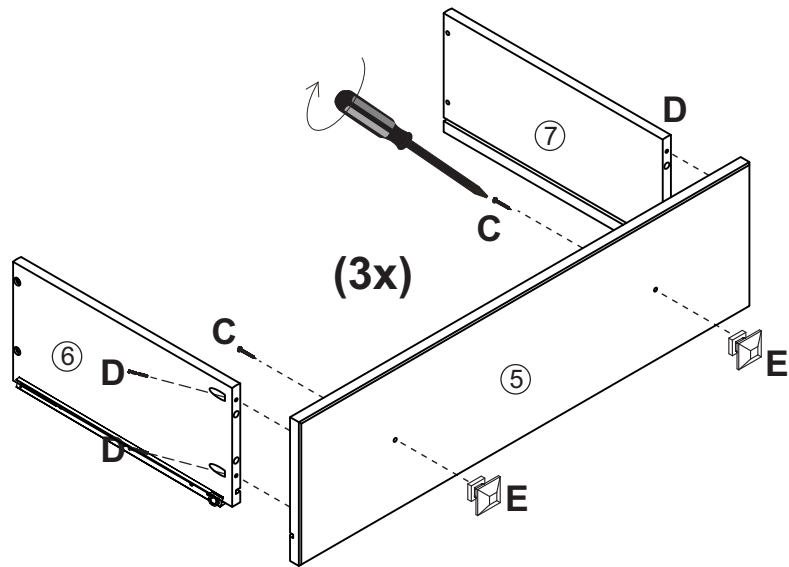
G  Qty **01**
Hex Screwdriver



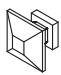
04



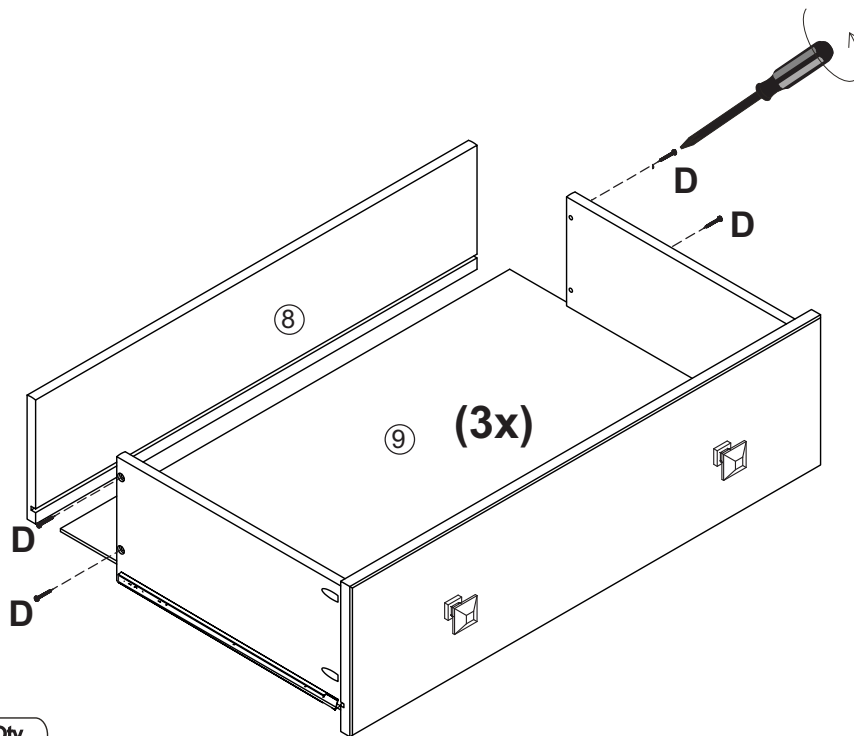
F  Qty **16**
10 x 10

05



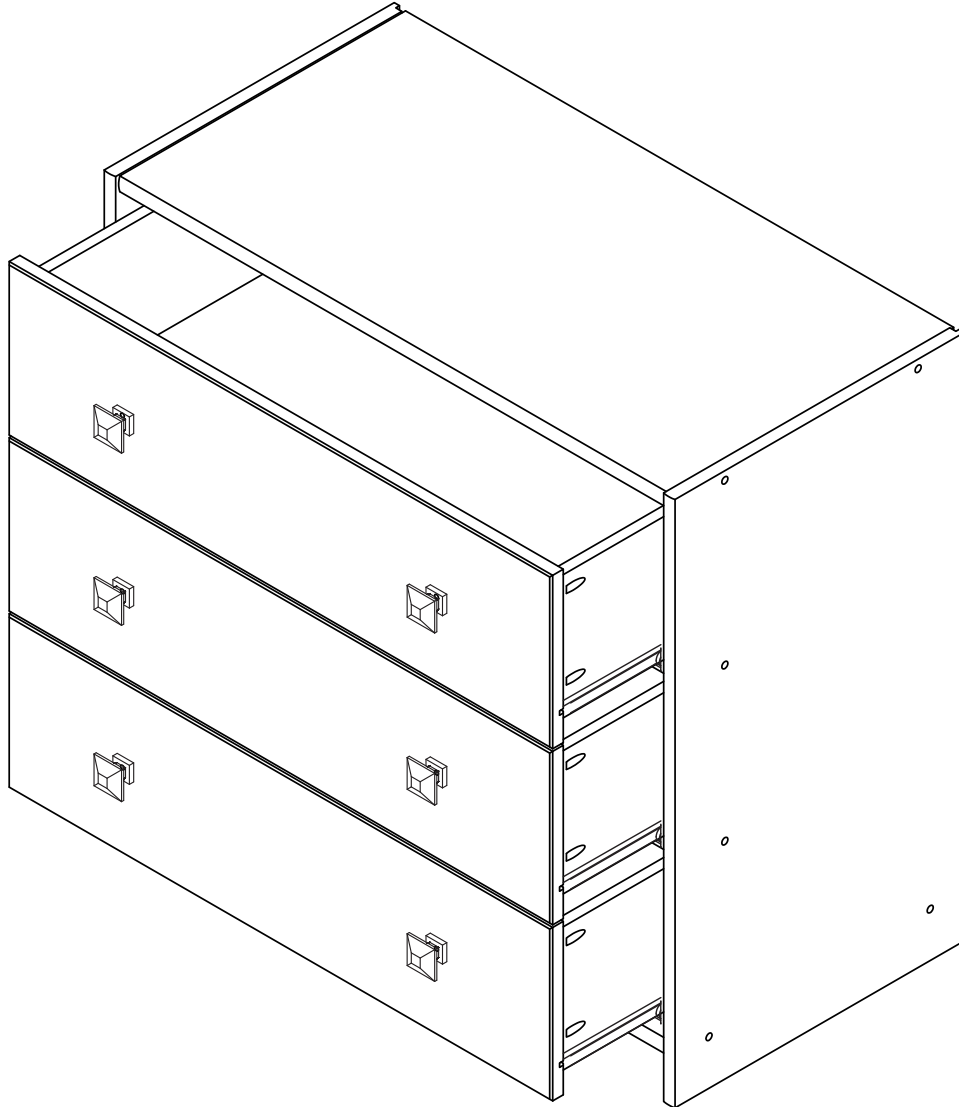
C		Qty 06
D		Qty 12
E		Qty 06

06

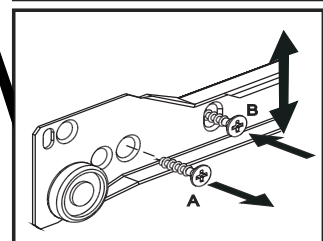
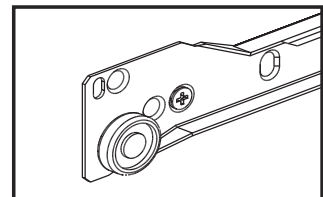


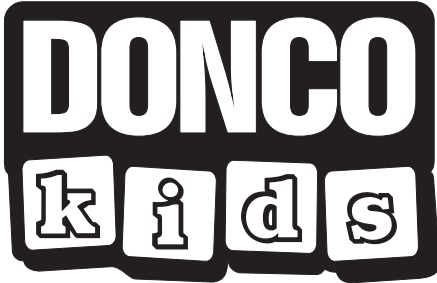
D		Qty 12
---	---	-----------

07



Please remove screw "A" and fix on "B" if necessary to adjust the slide, moving up or down.

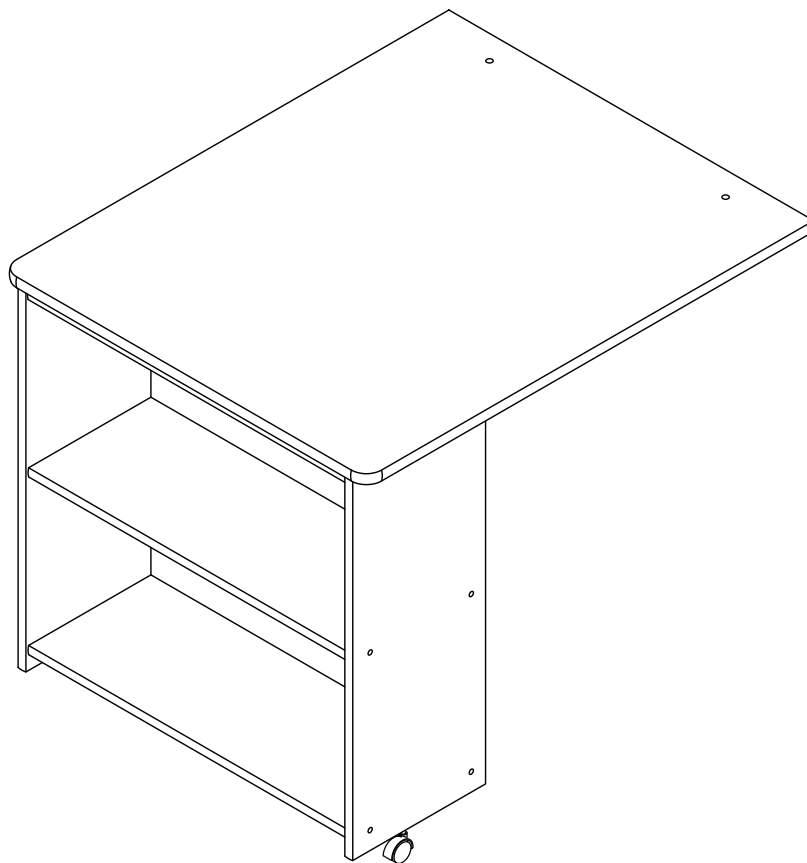




Fort Whorth, Texas 76140

ASSEMBLY INSTRUCTIONS

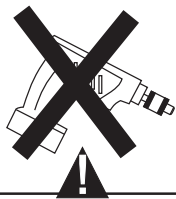
760 DESK



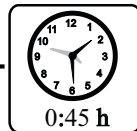
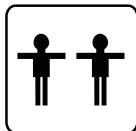
Thank you for purchasing this quality product. Be sure to check all packing material carefully for small parts which may have come loose inside the carton during shipment. Separate, identify and count all parts and hardware.

Compare with the parts list to be sure all parts are present.

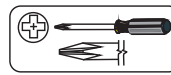
"DO NOT TIGHTEN SCREWS UNTIL COMPLETELY ASSEMBLED"



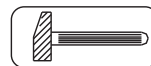
* Use of power tool to assemble this product will invalidate any claim and damage this product making unsafe !!!
* Please assemble on a clean soft surface to avoid damage.



Tools Required



(Not Includ)

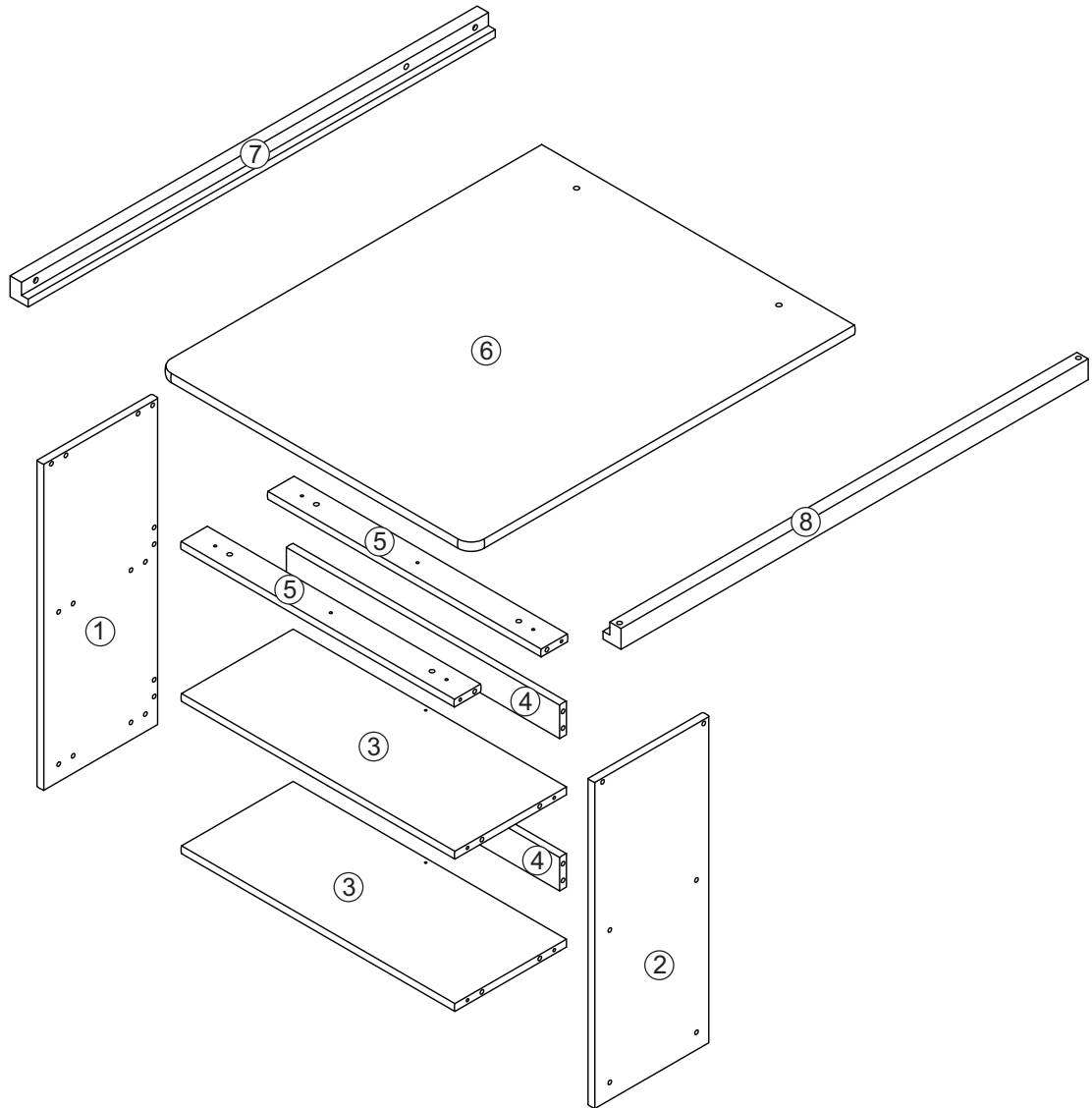


(Not Includ)

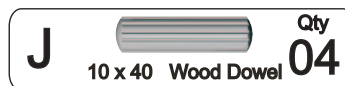
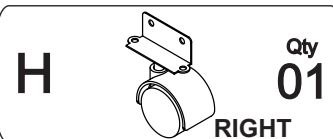
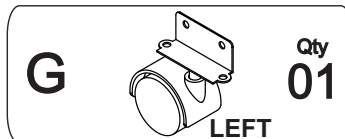
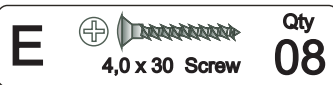
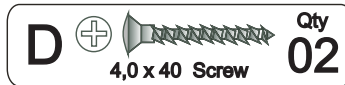
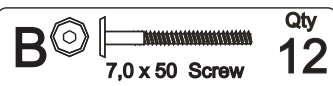
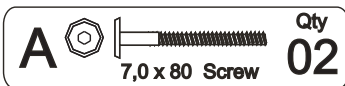
IMPORTANT:

PLEASE READ INSTRUCTION BEFORE STARTING THE ASSEMBLY

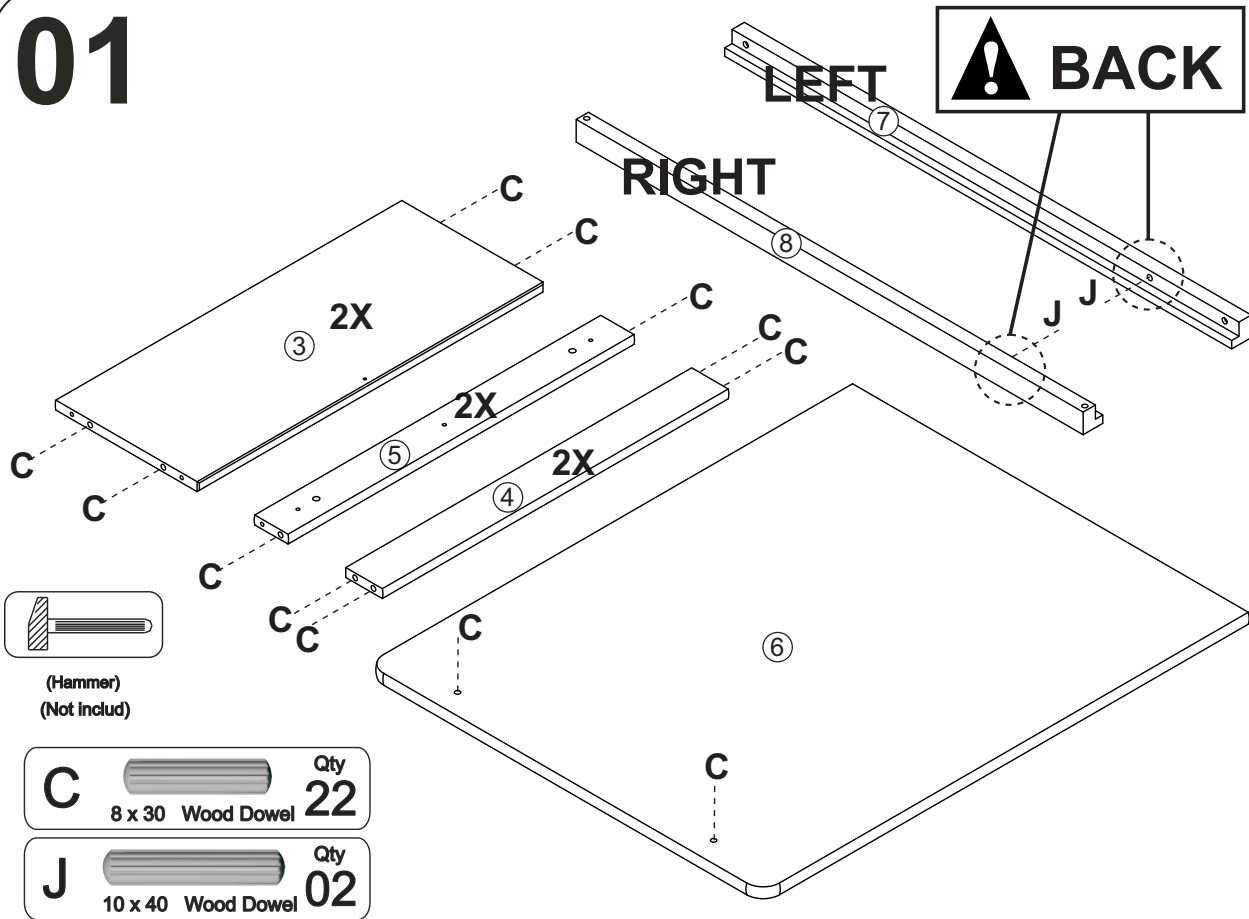
Part List - 760 DESK



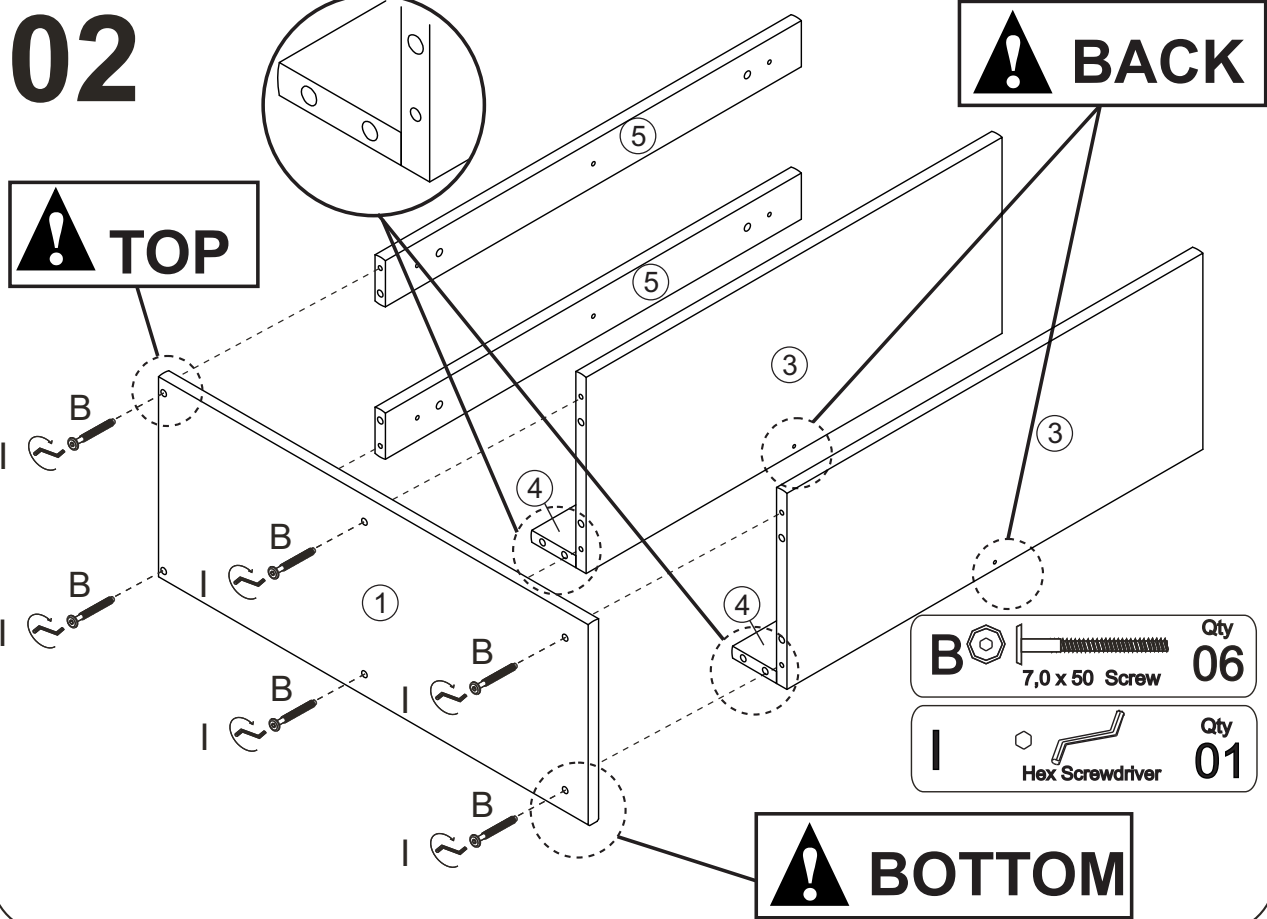
Identifying the Hardware-Identify the hardware using the illustrations below.



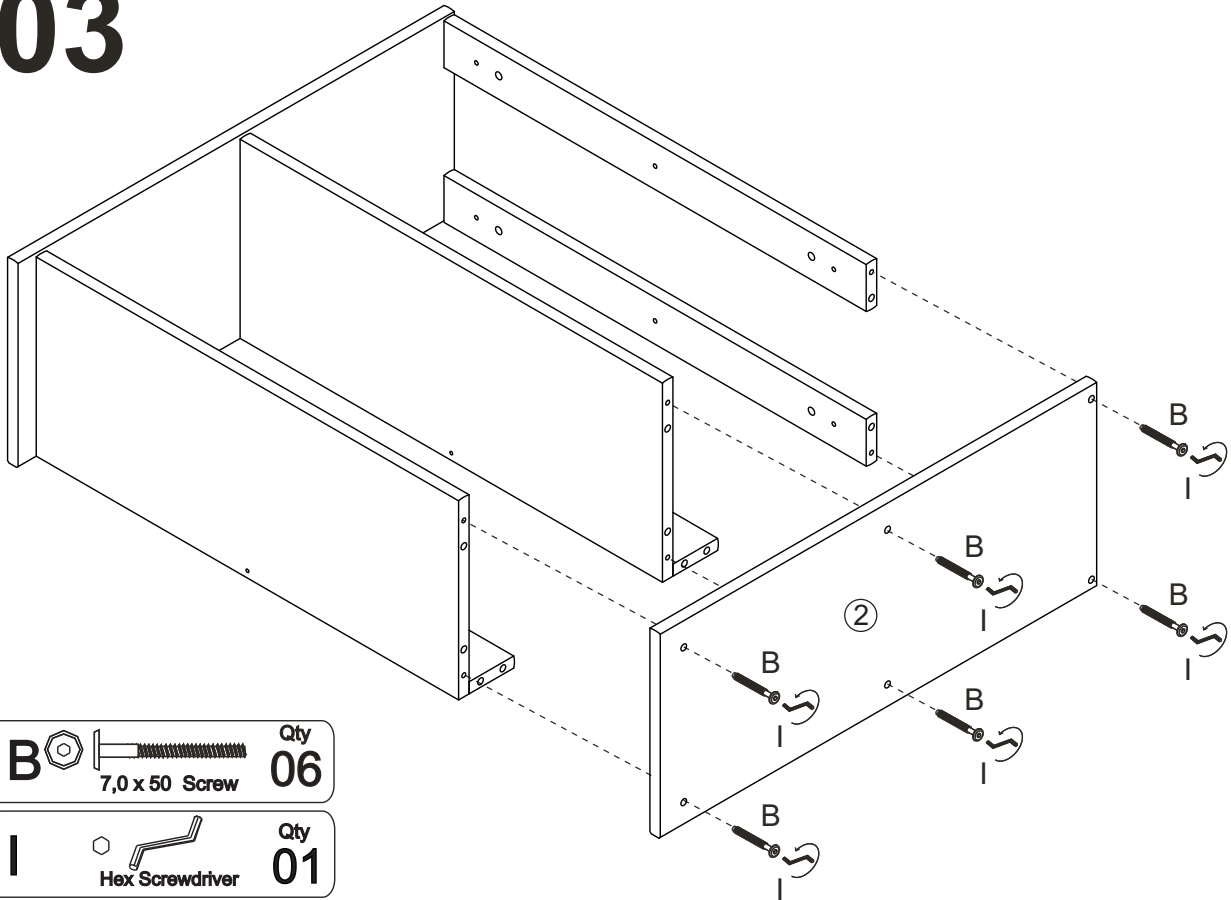
01





02

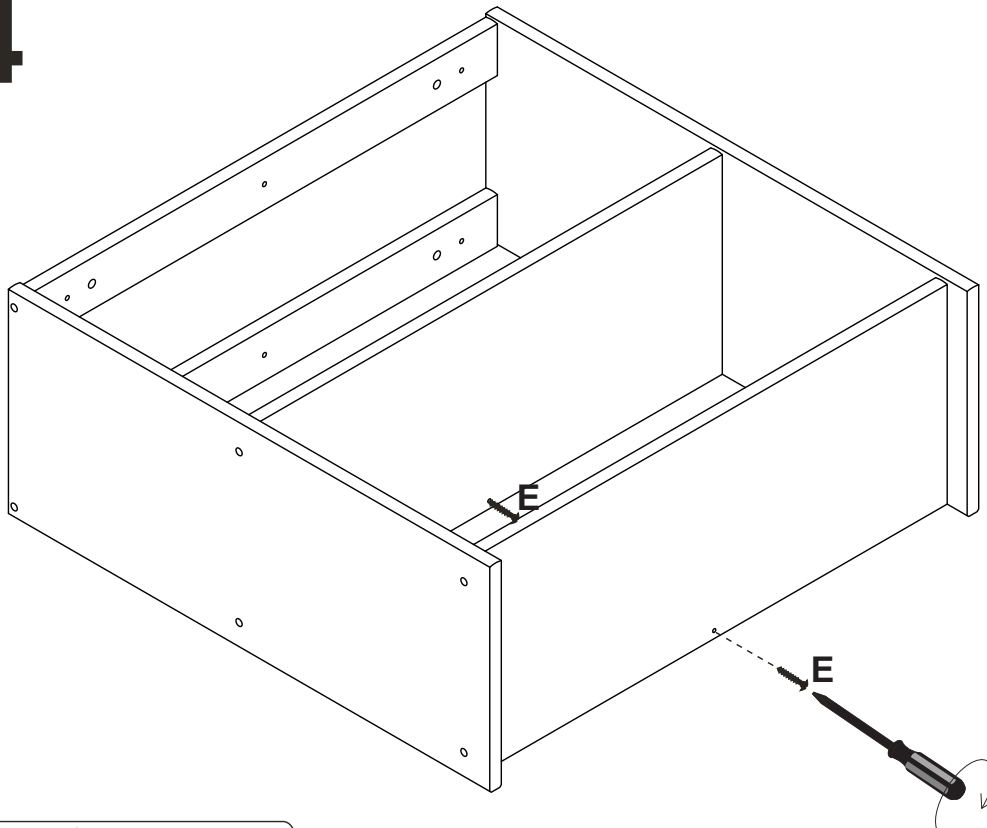


03



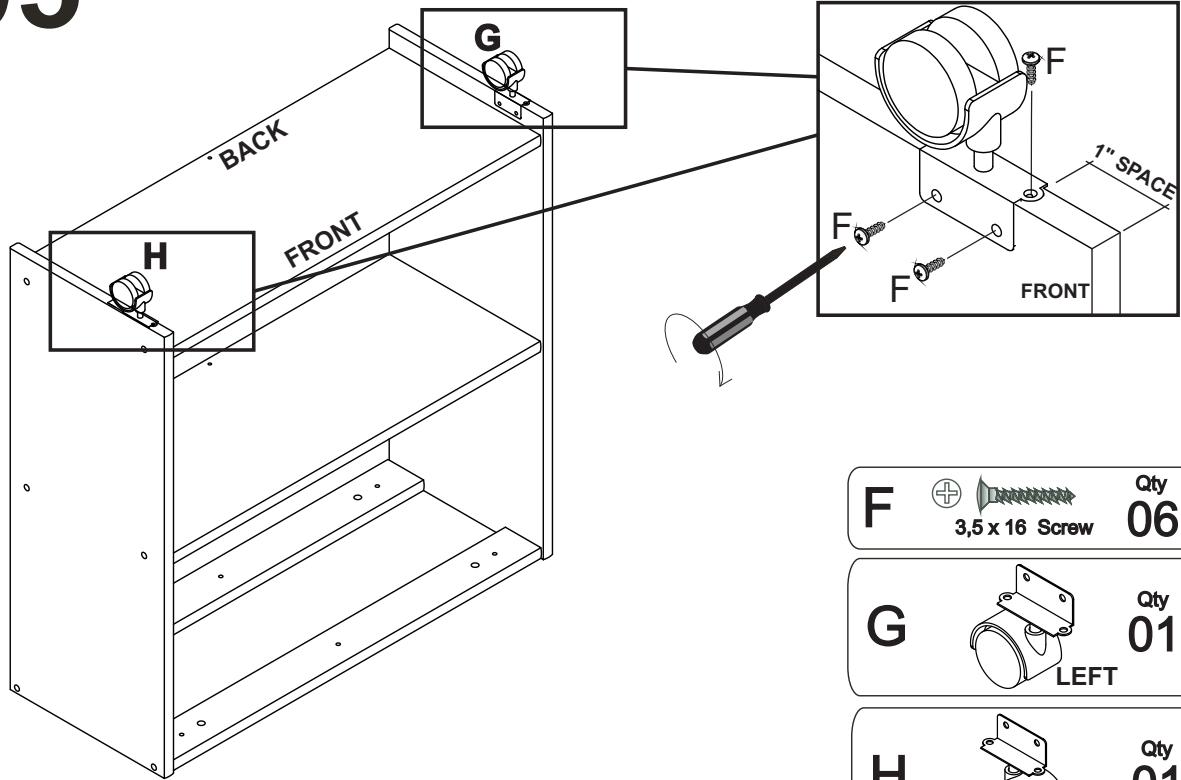
B		Qty 06
I		Qty 01

04

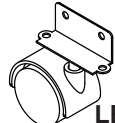


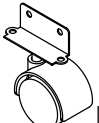
E		Qty 02
----------	---	------------------

05

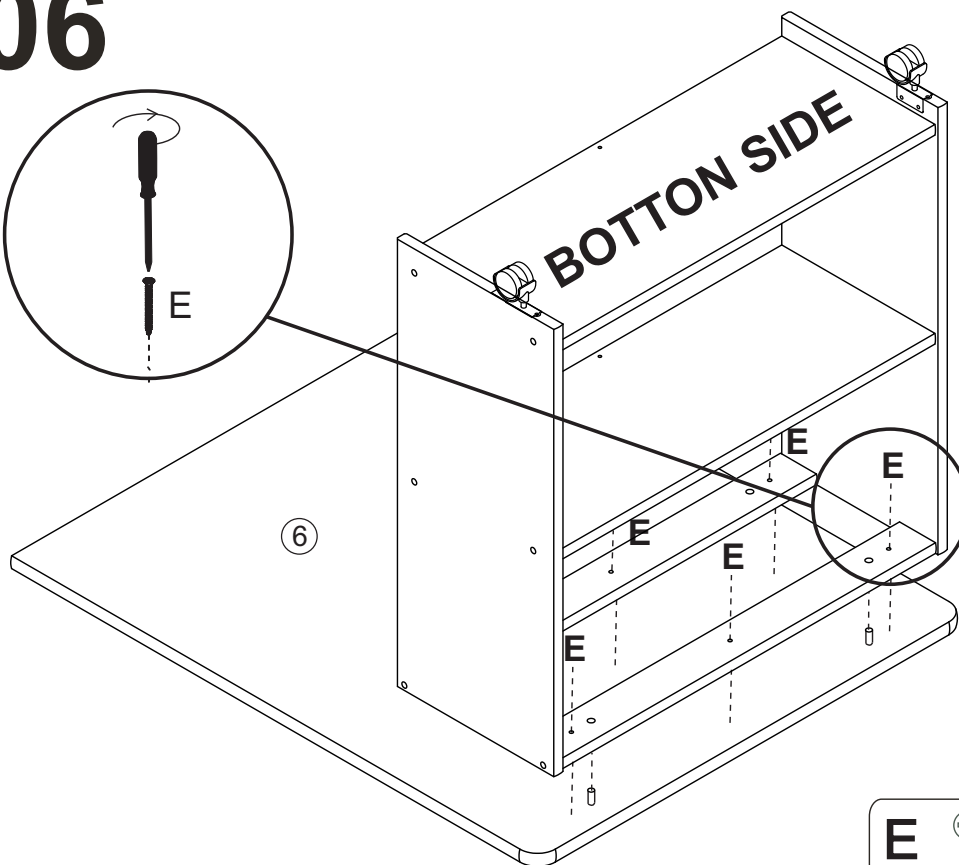


F  Qty **06**
3,5 x 16 Screw

G  Qty **01**
LEFT

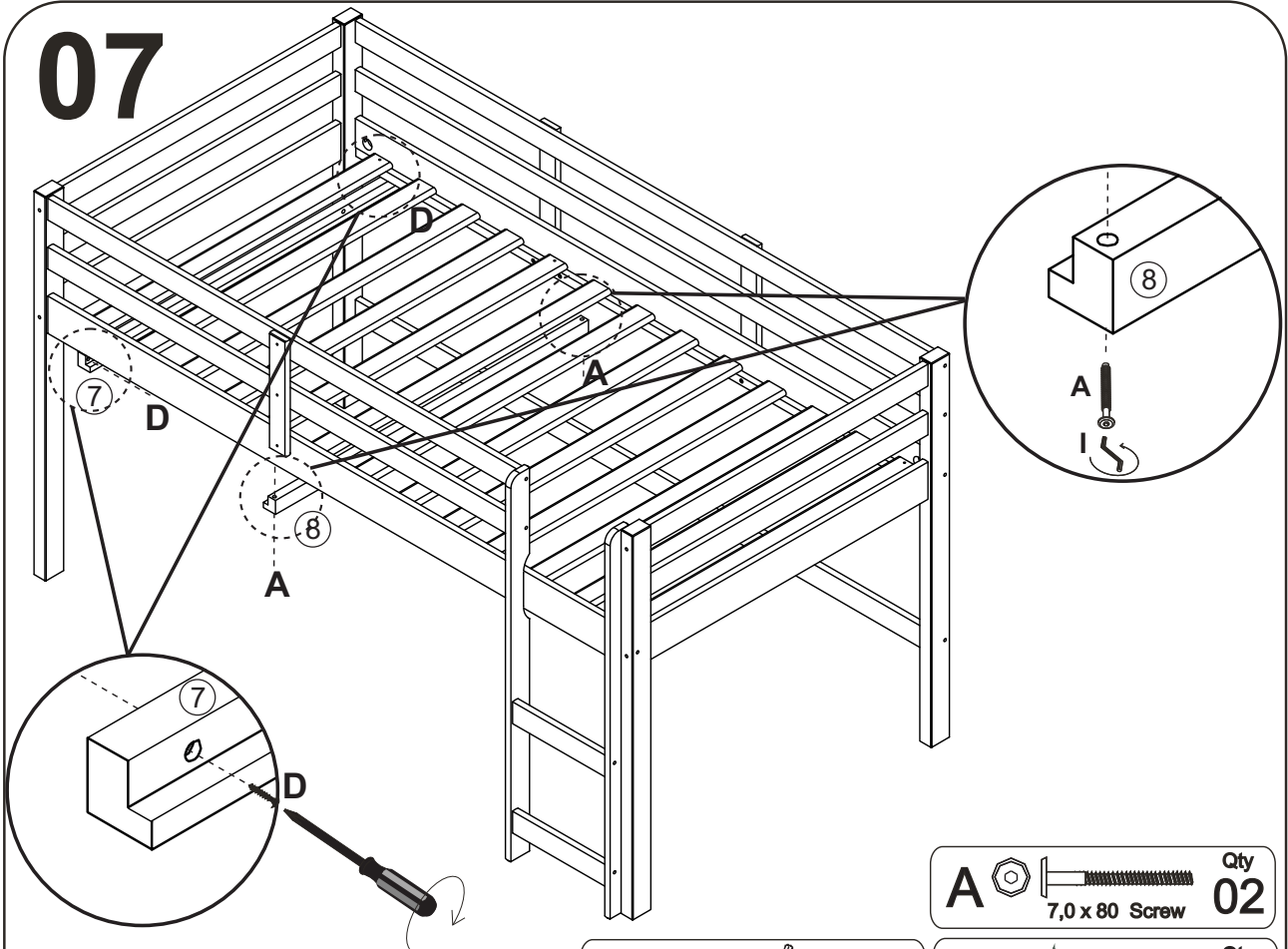
H  Qty **01**
RIGHT


06




E  Qty **06**
4,0 x 30 Screw

07

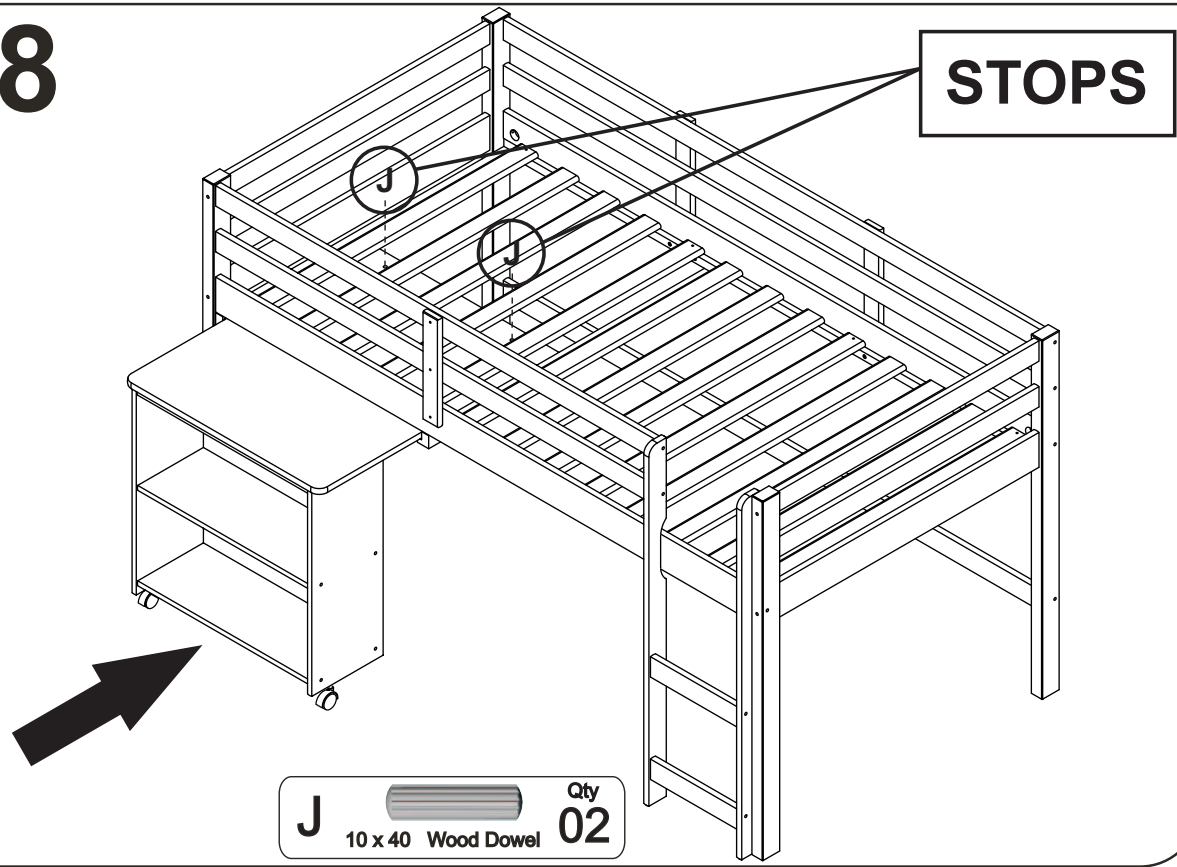


A  Qty **02**


I  Qty **01**

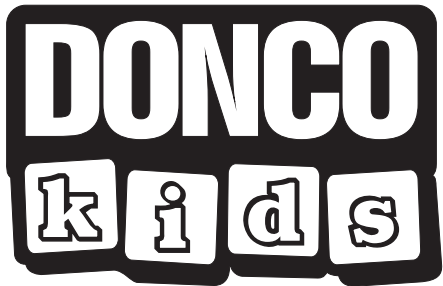
D  Qty **02**

08



STOPS

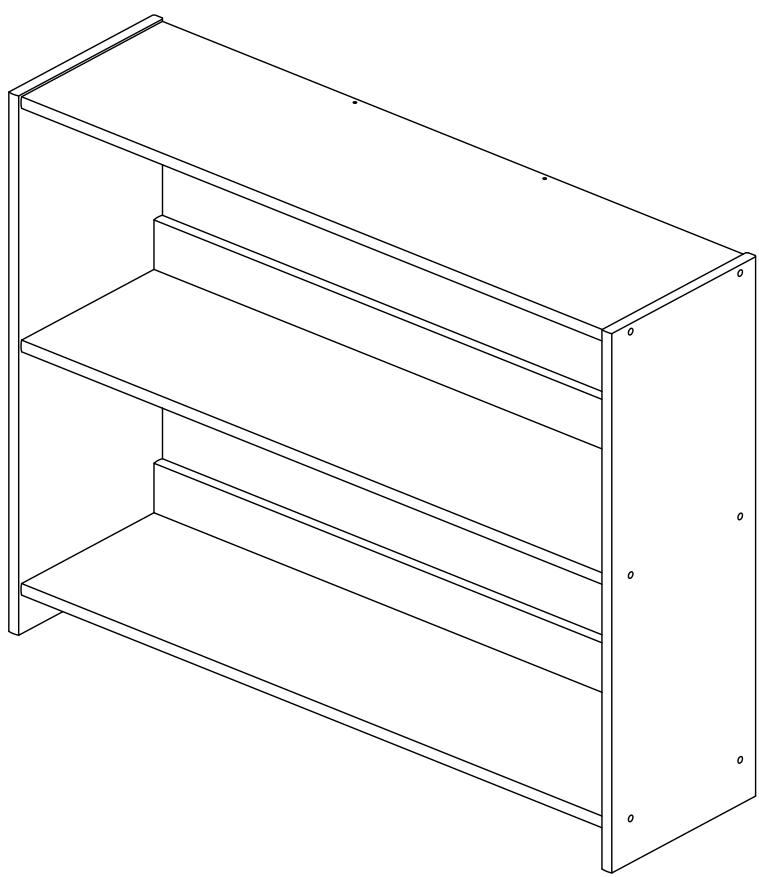
J  Qty **02**



Fort Worth, Texas 76140

ASSEMBLY INSTRUCTIONS

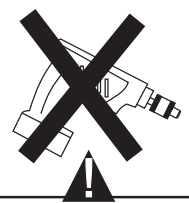
760 BOOKCASE



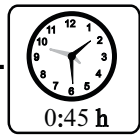
Thank you for purchasing this quality product. Be sure to check all packing material carefully for small parts which may have come loose inside the carton during shipment. Separate, identify and count all parts and hardware.

Compare with the parts list to be sure all parts are present.

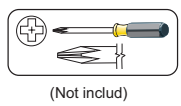
"DO NOT TIGHTEN SCREWS UNTIL COMPLETELY ASSEMBLED"



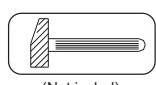
* Use of power tool to assemble this product will invalidate any claim and damage this product making unsafe !!!
* Please assemble on a clean soft surface to avoid damage.



Tools Required



(Not included)

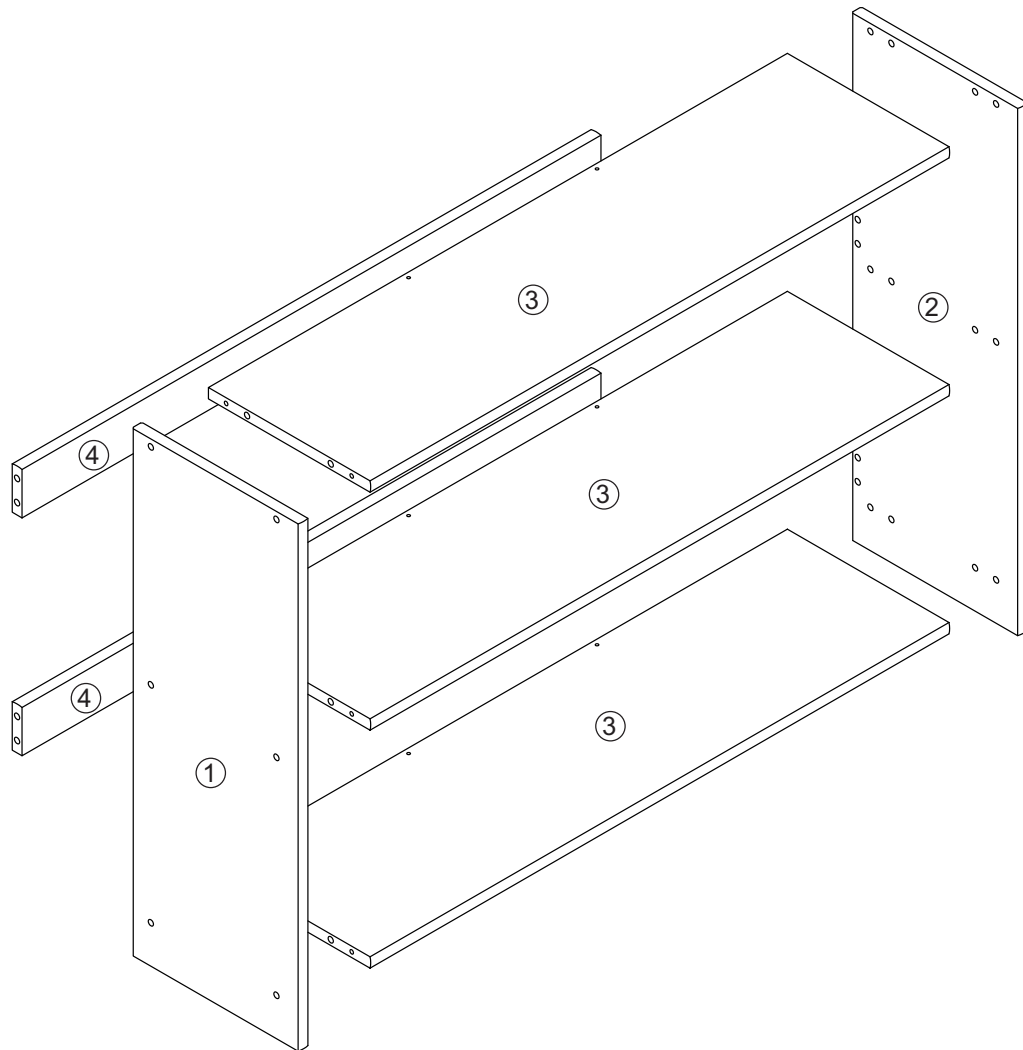


(Not included)

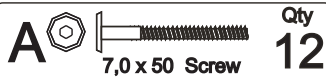
IMPORTANT:

PLEASE READ INSTRUCTION BEFORE STARTING THE ASSEMBLY

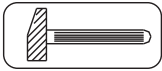
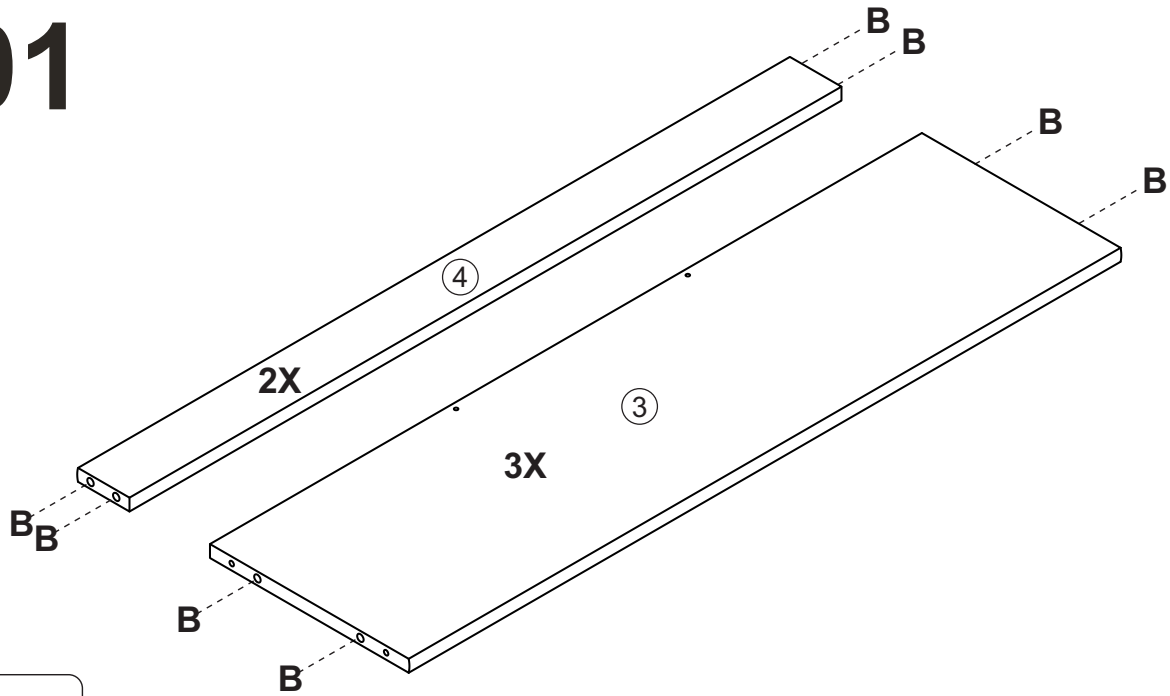
Part List - 760 Bookcase



Identifying the Hardware-Identify the hardware using the illustrations below.



01



(Hammer)
(Not Includ)

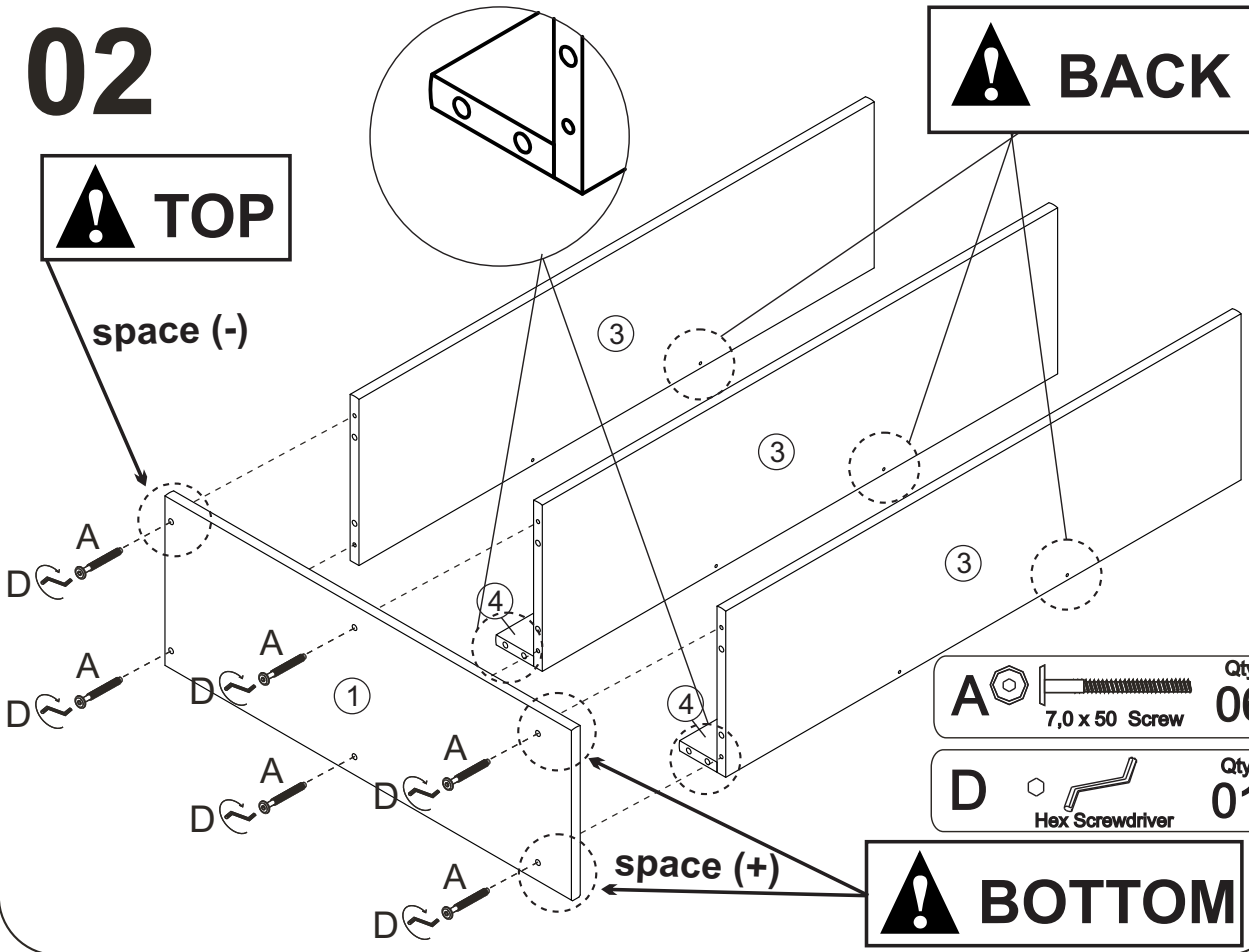
B  Qty **20**
8 x 30 Wood Dowel


02

 **TOP**

space (-)

 **BACK**

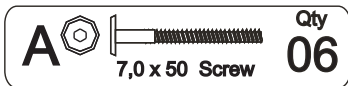
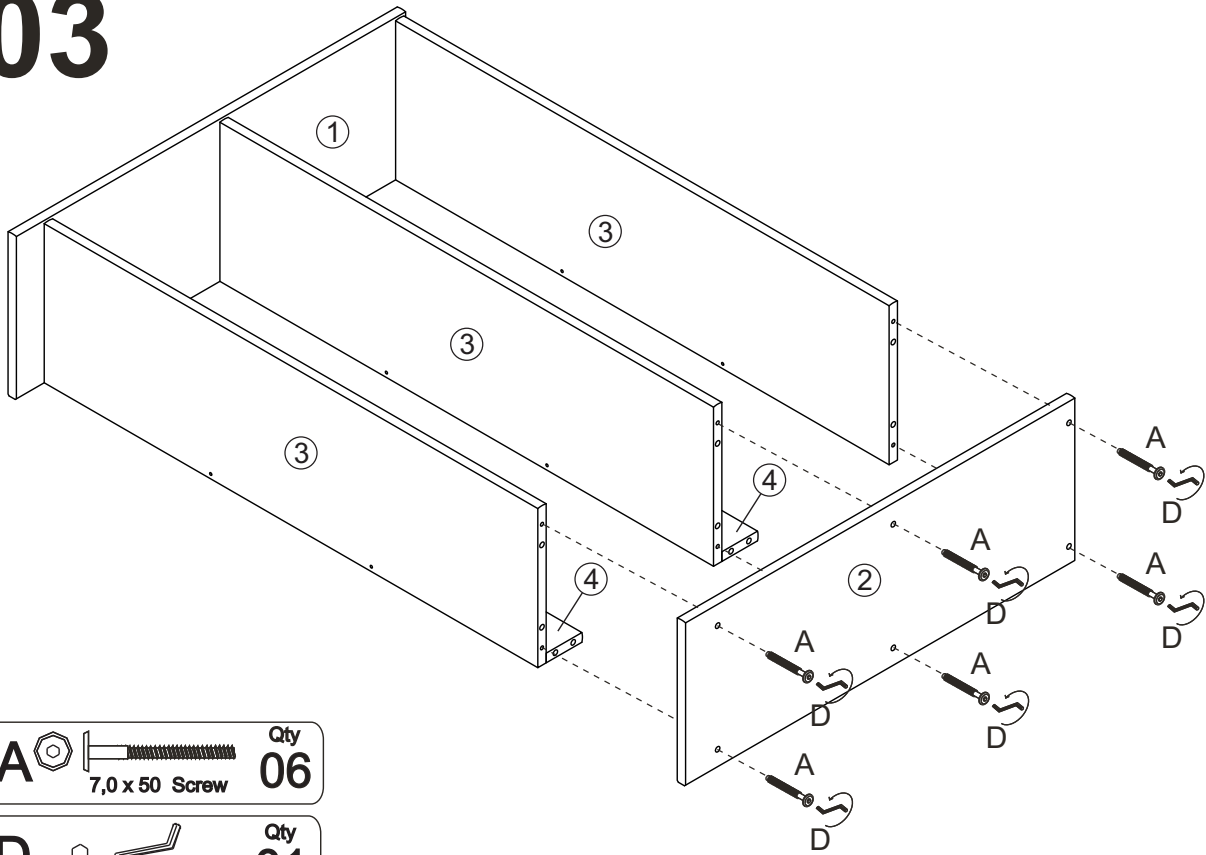


A  Qty **06**
7,0 x 50 Screw

D  Qty **01**
Hex Screwdriver

 **BOTTOM**

03



04

