

INSTALLATION INSTRUCTIONS


1. The unit should be securely mounted in a rigid framework.

NOTE: Allowing the fan frame to flex or move will result in excess vibrations, which may cause possible premature motor, propeller, or shutter failure.

2. Install any auxiliary components such as thermostats, switches, or speed controls.

3. Connect power to the motor using an approved wiring method.

Refer to the following wiring diagrams: Figure 1 & Figure 2.

 **Fan frame and motor must be securely and adequately grounded to a suitable electrical ground, such as a ground water pipe or ground wiring system.**

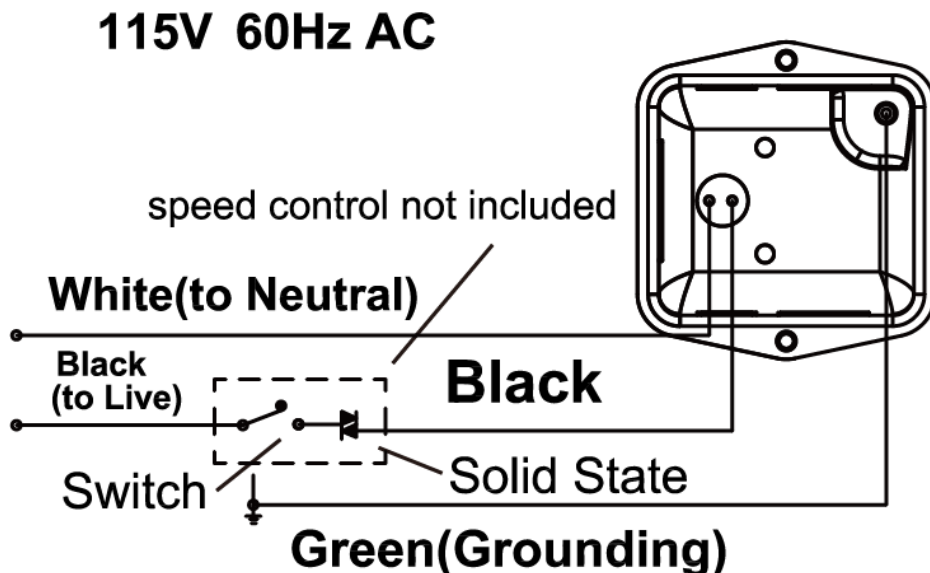


Figure 1: Wiring Diagram - Speed Controllable. 115-volt connection.
for ILG8SF7V, ILG8SF10V, ILG8SF12V, ILG8SF16V,ILG8SF18V,
ILG8SF20V, ILG8SF24V

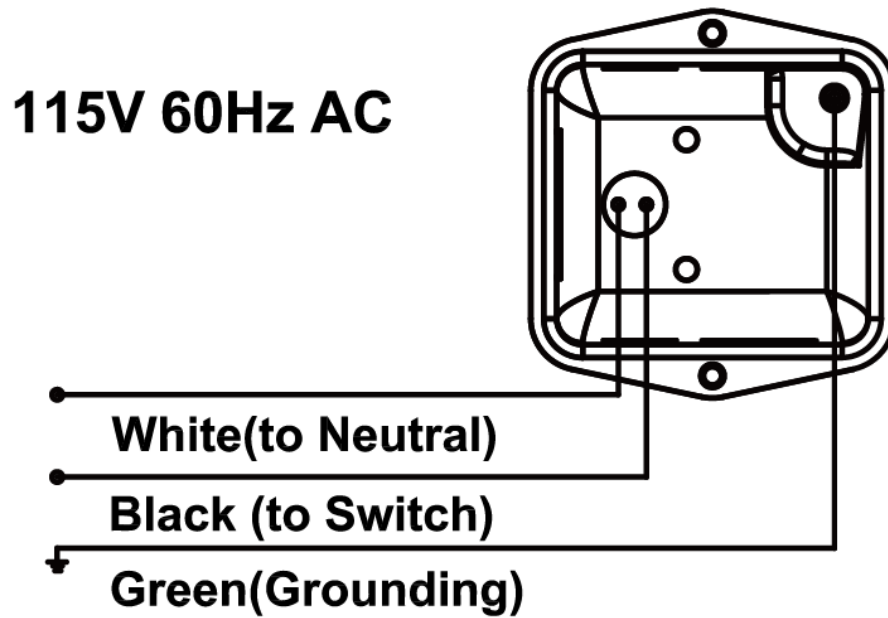


Figure 2: Wiring Diagram - Single speed. 115-volt connection.
for ILG8SF18S, ILG8SF30S, ILG8SF36S