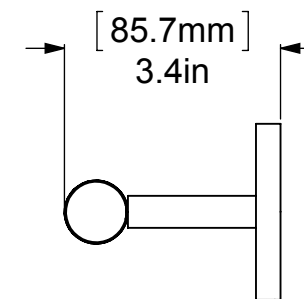
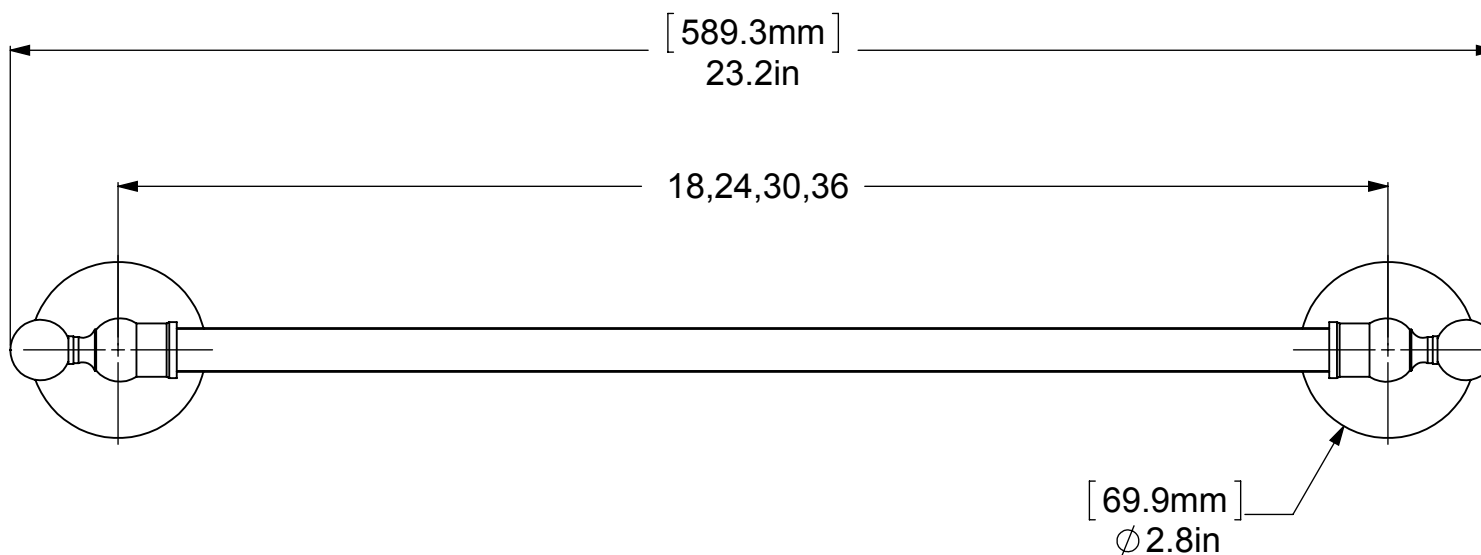
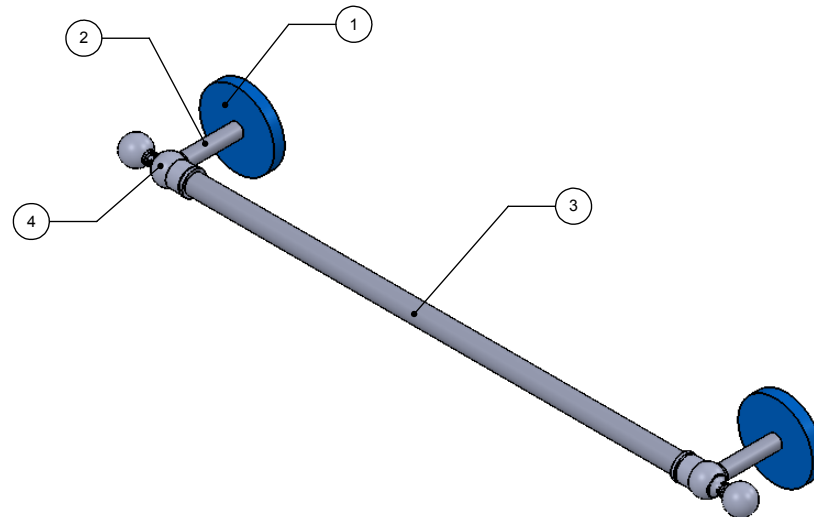


ITEM NO.	P/N	Description	QTY.
1	BPRD	BACKPLATE	2
2	TU12-2	POST	2
3	TU12-18,24,30,36	TUBE	1
4	BKSY-1	TUBE CAP	2



UNLESS OTHERWISE STATED

.X	±.3mm
.XX	±.15mm
.XXX	±.008mm

COPYRIGHT © Allied Brass 2016



THIRD ANGLE PROJECTION

DRAWN	7/13/2016	I.M
CHECKED	7/13/2016	P.D
APPROVED	7/13/2016	R.A

MATERIAL: BRASS

DESCRIPTION:

TOWEL BAR



FINISH: TBD

QUANTITY: TBD

DRAWING No.

1041

REV

0

SCALE: 1:3 SHEET: 01 A4