


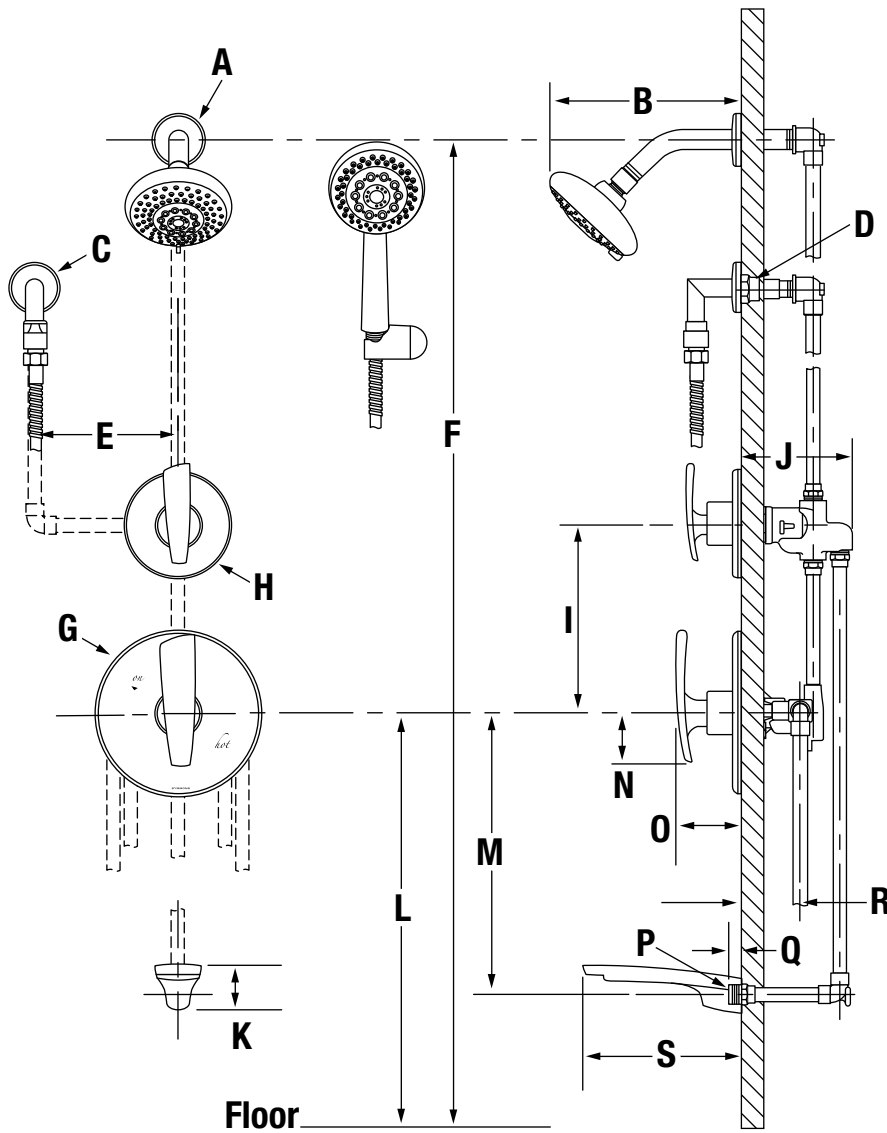


4103-TRM, 4105-TRM, 4106-TRM  
 Naru™ Trim Series  
**Operation & Maintenance Manual**

Model Numbers	Specifications
<input type="checkbox"/> <b>4103-TRM</b> <i>Hand Shower Trim</i>  <input type="checkbox"/> <b>4105-TRM</b> <i>Shower Trim with Hand Shower</i>  <input type="checkbox"/> <b>4106-TRM</b> <i>Tub/Shower Trim with Hand Shower</i>	<p>Tub/shower trim with hand shower and lever handle includes wall connection, cradle for hand shower mounting, in-line vacuum breaker, flexible metal hose, non-diverter tub spout, 3 mode hand shower and 3 mode showerhead with standard 2.5 gpm (9.5 L/min) flow restrictor. Shower trim with hand shower and lever handle includes all of the above less non-diverter tub spout. Valve trim with hand shower and lever handle includes all of the above less non-diverter tub spout and 3 mode showerhead. Components made from metal and nonmetallic materials plated in standard polished chrome finish.</p>
Modifications	Compliance
<input type="checkbox"/> <b>-1.5</b>  1.5 gpm (5.7 L/min) flow restrictor <input type="checkbox"/> <b>-2.0</b>  2.0 gpm (7.6 L/min) flow restrictor <input type="checkbox"/> <b>-412HSB</b> 30" slide bar in place of wall cradle on hand shower units  <input type="checkbox"/> <b>-PNL</b> <i>Polished nickel finish</i> <input type="checkbox"/> <b>-STN</b> <i>Satin nickel finish</i>	<p>-ASME A112.18.1; CSA B125.1</p>  <hr/> <p><b>Warranty</b></p> <p><b>Limited Lifetime</b> - to the original end purchaser in consumer installations.  <b>5 Years</b> - for commercial installations.</p> <p>Refer to <a href="http://www.symmons.com/warranty">www.symmons.com/warranty</a> for complete warranty information.</p>

**Note:** Append appropriate -suffix to model number.

## Dimensions

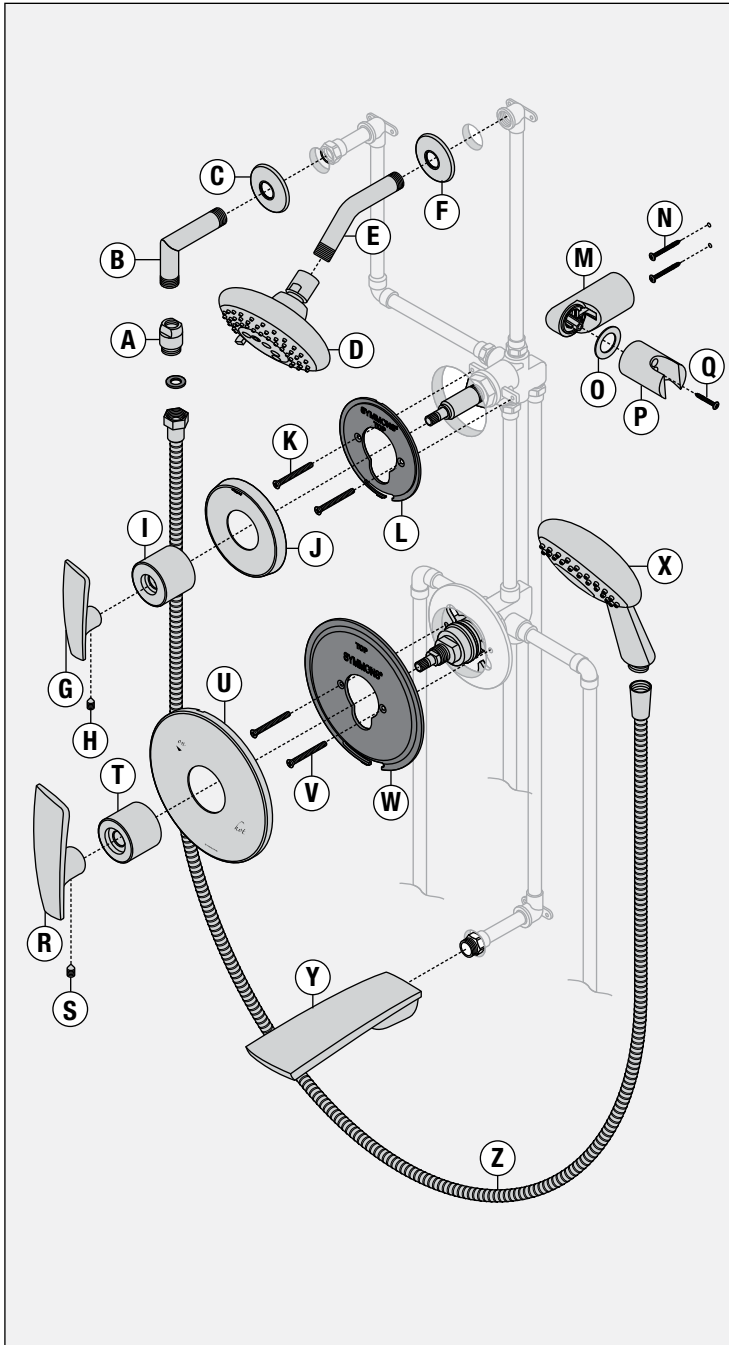


Measurements	
A	Ø 2 1/4", 57 mm
B	8 1/4", 210 mm
C	Ø 2 1/4", 57 mm
D	Female 1/2" IPS thread must be recessed 7/8" from finished wall
E	6", 152 mm right or left
F	77", 1956 mm
G	Ø 7 1/2", 191 mm
H	Ø 5", 127 mm
I	8", 203 mm
J	4 3/4", 121 mm (4106-TRM) 4 7/8", 124 mm (4105-TRM)
K	2 1/8", 54 mm
L	32", 813 mm (4106-TRM) 45", 1143 mm (4103-TRM, 4105-TRM)
M	12", 305 mm
N	2 1/4", 57 mm
O	3", 76 mm
P	1/2" NPT
Q	1/2", 13 mm
R	(Rough in) 2 3/8" ± 1/2", 60 mm ± 13 mm
S	7 1/8", 181 mm

### Notes:

- 1) All dimensions measured from nominal rough-in (see R as reference).
- 2) Dimensions are subject to change without notice.

## Parts Breakdown




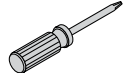


### Replacement Parts

Item	Description	Part Number
A	Vacuum Breaker	EF-104
Z	60" Hose	
B	Wall Elbow	T-444-KIT
C	Wall Elbow Flange	
D	Showerhead	412SH
E	Shower Arm	300
F	Shower Arm Flange	
G	Diverter Handle	LLD-102
H	Set Screw	
I	Diverter Dome Cover	LLD-101
J	Diverter Escutcheon	T-416A
K	Mounting Screws	
L	Mounting Plate	
M	Cradle Mount	T-545
N	Cradle Mounting Screws	
O	Washer	
P	Cradle Arm	
Q	Set Screw	
R	Shower Handle	T-567
S	Set Screw	
T	Shower Dome Cover	T-544
U	Shower Escutcheon	T-273-NS-K002
V	Mounting Screws	
W	Mounting Plate	
X	Hand Shower	412W
Y	Tub Spout	412TS

#### Notes:

- 1) Append -PNL to part number for polished nickel finish; -STN for satin nickel.
- 2) Append -1.5 or -2.0 to showerhead or hand shower for low flow.

### Required for Installation

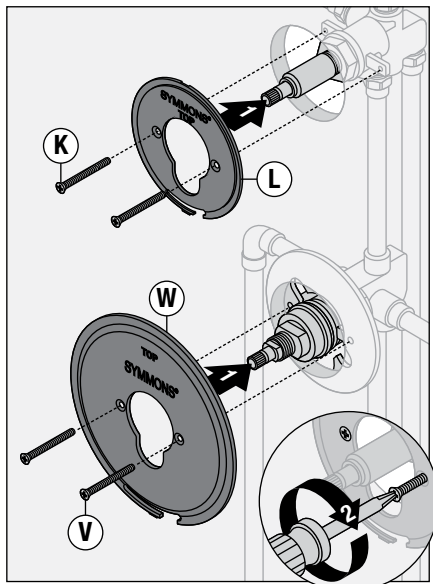
Adjustable wrench	
Phillips head screwdriver	
Allen wrench (1/8")	
Plumber tape	

# Installation

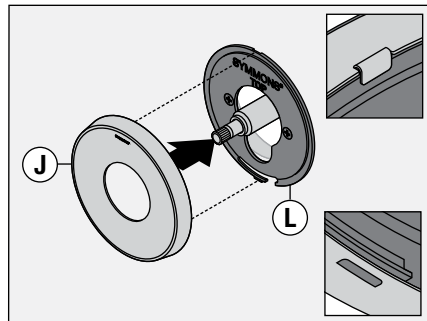
**Note:**

For valve body installation, please see valve body installation guides.

- 1) Install small plastic mounting plate (L) to diverter valve (4106-TRM diverter valve = 4-460E-BODY, 4105-TRM diverter valve = 4-458E-BODY) and large plastic mounting plate (W) to shower valve (4000-BODY). Secure small plastic mounting plate with two screws (K) and large plastic mounting screws with two screws (V).

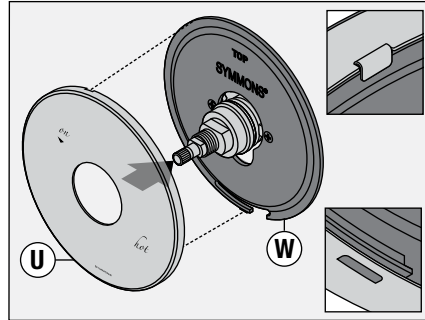


- 2) Attach diverter escutcheon (J) to small plastic mounting plate (L).



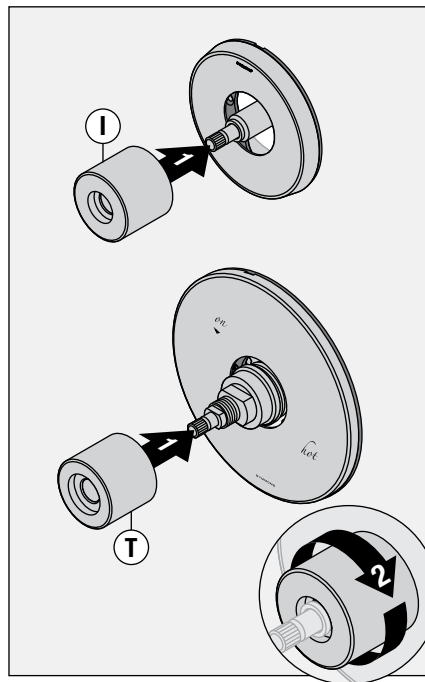
**Note:** Tabs should snap into place.

- 3) Attach shower escutcheon (U) to large plastic mounting plate (W).

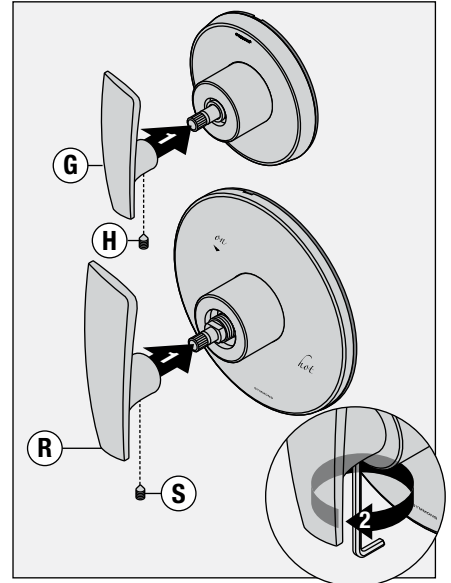


**Note:** Tabs should snap into place.

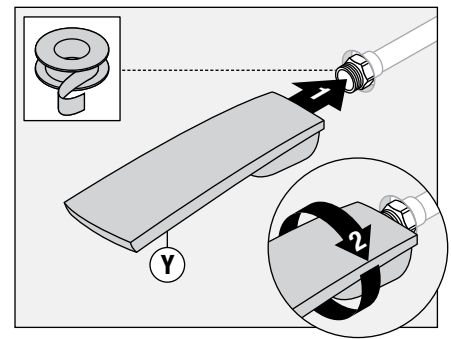
- 4) Install shower dome cover (T) and diverter dome cover (I) to valves by turning clockwise.



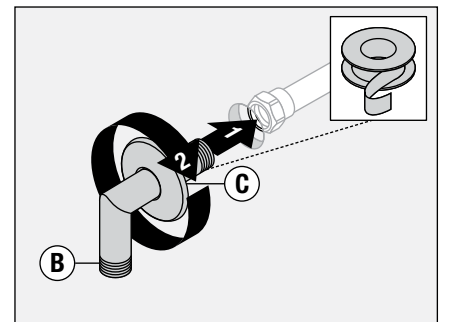
- 5) Install diverter handle (G) (4105-TRM and 4106-TRM only) and shower handle (R) to valves. Secure handles by tightening set screws (H, S).



- 6) Install tub spout (Y) to pipe fitting. Turn clockwise to secure.

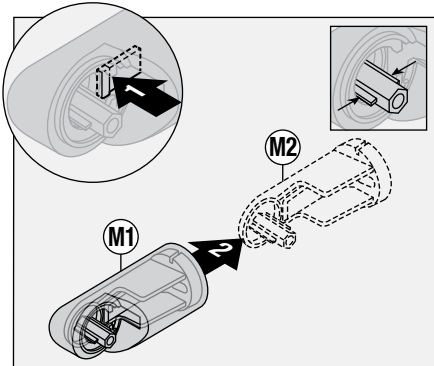


- 7) Install wall elbow (B) and flange (C) to recessed pipe fitting. Turn elbow clockwise to tighten.



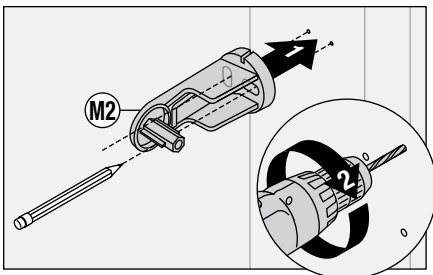
# Installation

8) Press tab to remove mounting plate (M2) from cradle mount cover (M1).

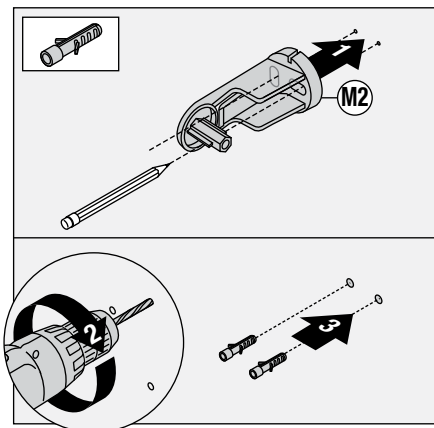


**Note:** Mounting plate (M2) center tabs must be horizontal for removal.

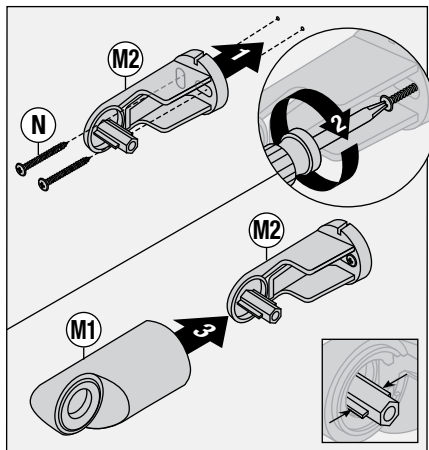
9) Place mounting plate (M2) in position, mark and drill 1/8" pilot holes into stud.



**Option:** Place mounting plate (M2) in position, mark and drill 3/16" holes into wall. Install anchors.

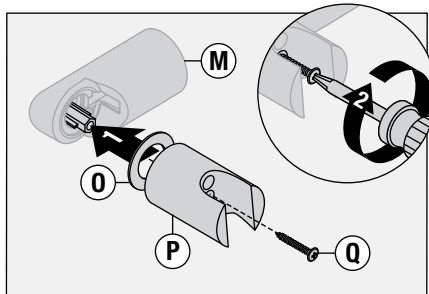


10) Install mounting plate (M2). Secure with two screws (N). Replace cradle mount cover (M1).

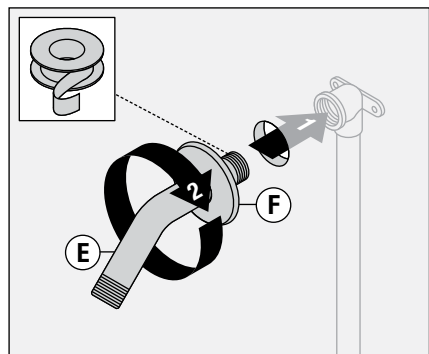


**Note:** Mounting plate (M2) center tabs must be horizontal for installation.

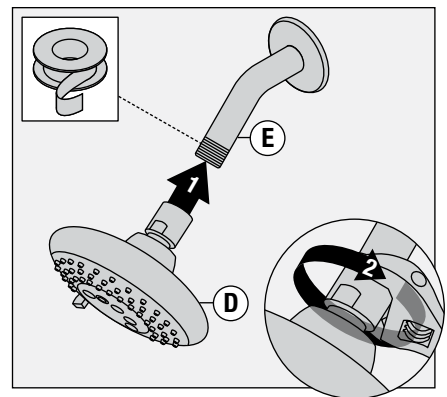
11) Attach cradle arm (P) and washer (O) to cradle mount (M). Secure with set screw (Q).



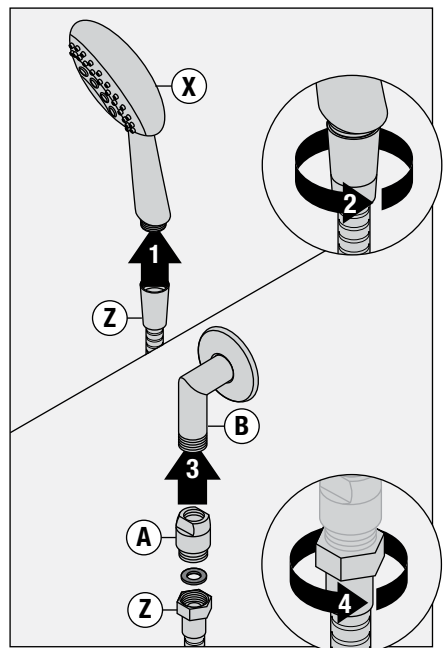
12) Attach shower arm (E) and flange (F) to vertical shower pipe turning clockwise to tighten.



13) Install shower head (D) to shower arm (E) turning clockwise to tighten.



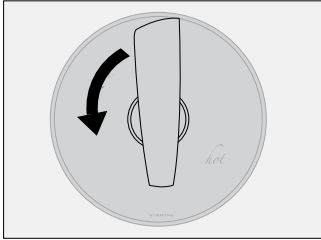
14) Attach large end of hand shower hose (Z) to hand shower head (X). Attach small end of hand shower hose (Z) and gasket to in-line vacuum breaker (A). Connect in-line vacuum breaker to wall elbow (B). Turn clockwise to tighten.



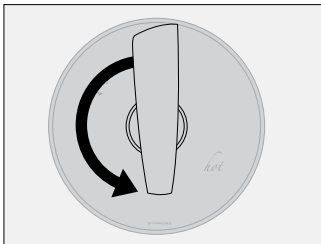
## Operation

### Temperature Control

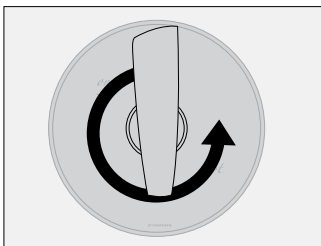
- 1) Turn shower handle counterclockwise approximately 1/4 turn to put valve in cold position.



- 2) Turn shower handle counterclockwise approximately 1/2 turn to put valve in warm position.

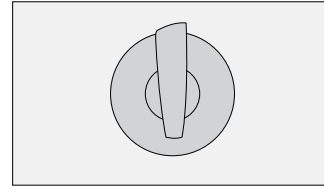


- 3) Turn shower handle counterclockwise approximately 3/4 turn to put valve in hot position.



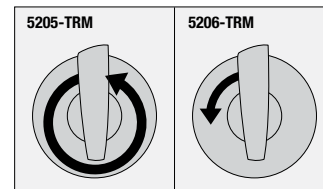
### Diverter Control

- 1) Diverter handle facing straight down is for diverter function 1.

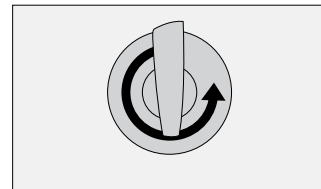


- 2) **4130-TRM & 4105-TMRM:** Turn diverter handle counterclockwise one full revolution for diverter function 2.

- 4106-TRM:** Turn diverter handle counterclockwise 1/4 turn for diverter function 2.



- 3) **4106-TRM:** Turn diverter handle counterclockwise 3/4 turn for diverter function 3.



## Care and Cleaning

- 1) Clean finished trim area with a soft cloth using mild soap and water or a non-abrasive cleaner and then quickly rinse with water.

## Troubleshooting Chart

Problem	Cause	Solution
Finish is spotting.	Elements in water supply may cause water staining on finish.	Clean finished trim area with a soft cloth using mild soap and water or a non-abrasive cleaner and then quickly rinse with water.