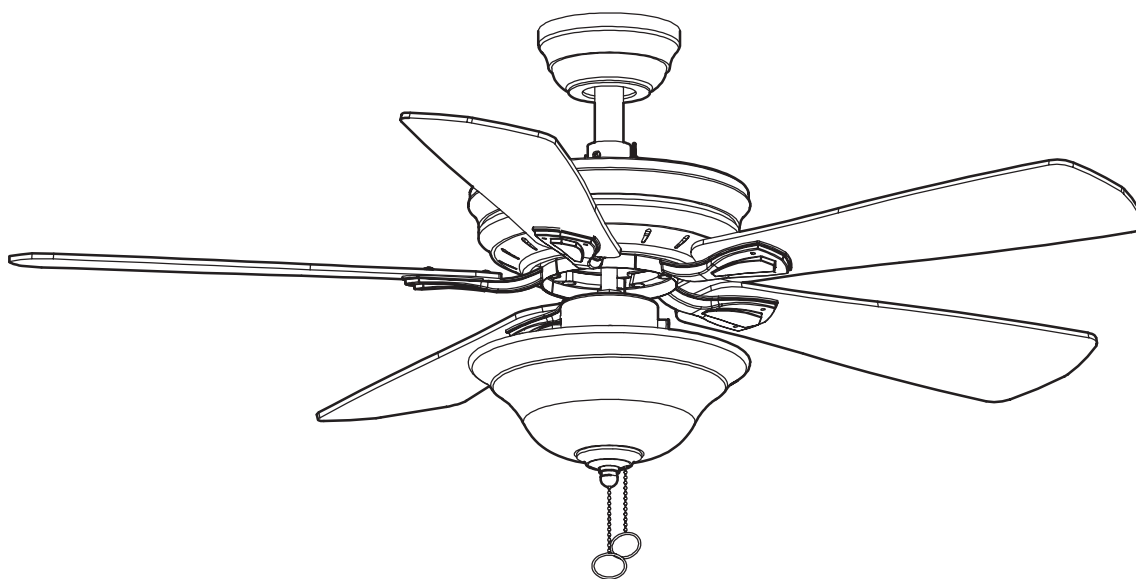




Item # 610-016
Model # 51360
UL Model # EF200B-44

USE AND CARE GUIDE

WELLSTON 44-INCH CEILING FAN



Questions, problems, missing parts? Before returning to the store,
call Hampton Bay Customer Service
8 a.m. - 6 p.m., EST, Monday-Friday.

1-877-527-0313

HAMPTONBAY.COM

THANK YOU

We appreciate the trust and confidence you have placed in Hampton Bay through the purchase of this ceiling fan. We strive to continually create quality products designed to enhance your home. Visit us online to see our full line of products available for your home improvement needs.

Thank you for choosing Hampton Bay!

Table of Contents

Table of Contents	2	Assembly	7
Safety Information	2	Operation	12
Warranty	3	Care and Cleaning	13
Pre-Installation	3	Troubleshooting	13
Installation.....	6		

Safety Information

1. All wiring must be in accordance with the National Electrical Code ANSI/NFPA 70 and local electrical codes. Electrical installation should be performed by a qualified licensed electrician.
2. The outlet box and support structure must be securely mounted and capable of reliably supporting 35 pounds (15.9 kg). Use only UL Listed outlet boxes marked "Acceptable for Fan Support of 35 pounds (15.9 kg) or less."
3. The fan must be mounted with a minimum of 7 ft (2 m) clearance from the trailing edge of the blades to the floor.
4. Do not operate the reversing switch while the fan blades are in motion. You must turn the fan off and stop the blades before you reverse the blade direction.
5. Do not place objects in the path of the blades.
6. Electrical diagrams are for reference only. Light kits that are not packed with the fan must be UL listed and marked suitable for use with the model fan you are installing. Switches must be UL General Use Switches. Refer to the instructions packaged with the light kits and switches for proper assembly. Use 14W CFL bulbs max (included).
7. After making electrical connections, spliced conductors should be turned upward and pushed carefully up into the outlet box. The wires should be spread apart with the grounded conductor and the equipment-grounding conductor on one side of the outlet box.
8. All setscrews must be checked and retightened where necessary before installation.



WARNING: To reduce the risk of personal injury, do not bend the blade brackets (also referred to as flanges) during assembly or after installation. Do not insert objects in the path of the blades.



WARNING: Remove the rubber motor stops on the bottom of the fan before installing the blades or testing the motor.



WARNING: To reduce the risk of fire or electric shock, do not use this fan with any solid-state speed control device.



WARNING: To reduce the risk of fire, electric shock or personal injury, mount to outlet box marked "acceptable for fan support of 35 lbs. (15.9 kg) or less" and use screws provided with the outlet box.



WARNING: To avoid possible electrical shock, turn the electricity off at the main fuse box before wiring. If you feel you do not have enough electrical wiring knowledge or experience, contact a licensed electrician.



CAUTION: To reduce the risk of personal injury, use only the screws provided with the outlet box.



CAUTION: To avoid personal injury or damage to the fan and other items, use caution when working around or cleaning the fan.

Warranty

The supplier warrants the fan motor to be free from defects in workmanship and material present at time of shipment from the factory for a life-time after the date of purchase by the original purchaser. The supplier also warrants that all other fan parts, excluding any glass or acrylic blades, to be free from defects in workmanship and material at the time of shipment from the factory for a period of one year after the date of purchase by the original purchaser. We agree to correct such defects without charge or at our option replace with a comparable or superior model if the product is returned. To obtain warranty service, you must present a copy of the receipt as proof of purchase. All costs of removing and reinstalling the product are your responsibility. Damage to any part such as by accident or misuse or improper installation or by affixing any accessories, is not covered by this warranty. Because of varying climatic conditions this warranty does not cover any changes in brass finish, including rusting, pitting, corroding, tarnishing, or peeling. Brass finishes of this type give their longest useful life when protected from varying weather conditions. A certain amount of "wobble" is normal and should not be considered a defect. Servicing performed by unauthorized persons shall render the warranty invalid. There is no other express warranty. Hampton Bay hereby disclaims any and all warranties, including but not limited to those of merchantability and fitness for a particular purpose to the extent permitted by law. The duration of any implied warranty which cannot be disclaimed is limited to the time period as specified in the express warranty. Some states do not allow a limitation on how long an implied warranty lasts, so the above limitation may not apply to you. The retailer shall not be liable for incidental, consequential, or special damages arising out of or in connection with product use or performance except as may otherwise be accorded by law. Some states do not allow the exclusion of incidental or consequential damages, so the above exclusion or limitation may not apply to you. This warranty gives specific legal rights, and you may also have other rights which vary from state to state. This warranty supersedes all prior warranties. Shipping costs for any return of product as part of a claim on the warranty must be paid by the customer.

Contact the Customer Service Team at 1-877-527-0313 or visit www.HamptonBay.com.

Pre-Installation

SPECIFICATIONS

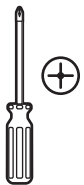
Size	Speed	Volts	Amps	Watts	RPM	CFM	Net Weight	Gross Weight	Cube Feet
44"	Low	120	0.22	12	95	1673	14.96 lbs. (6.8 kg)	16.53 lbs. (7.5 kg)	1.07'
	Medium		0.32	25	145	2609			
	High		0.43	51	200	3770			



NOTE: These are approximate measures. They do not include the Amps and Wattage used by the light kit.



TOOLS REQUIRED



Phillips screwdriver



Flat blade screwdriver



Adjustable wrench



Electrical tape



Wire cutter



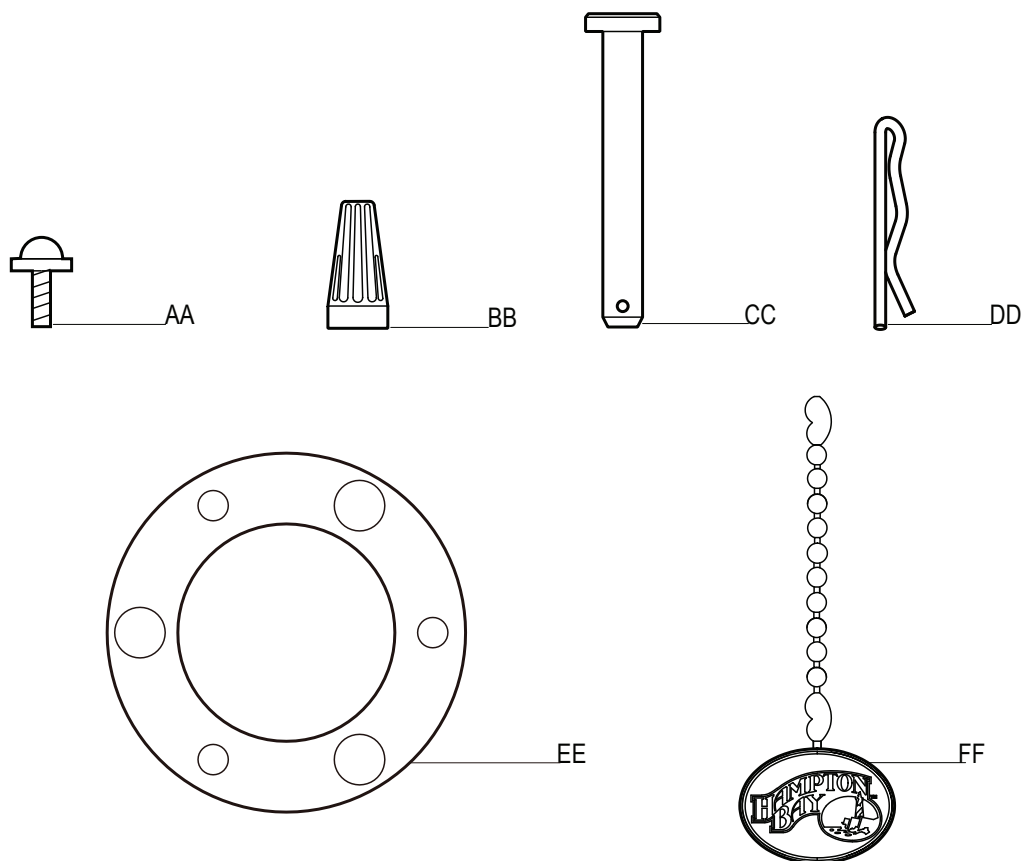
Step ladder

Pre-Installation (continued)

HARDWARE INCLUDED



NOTE: Hardware not shown to actual size.

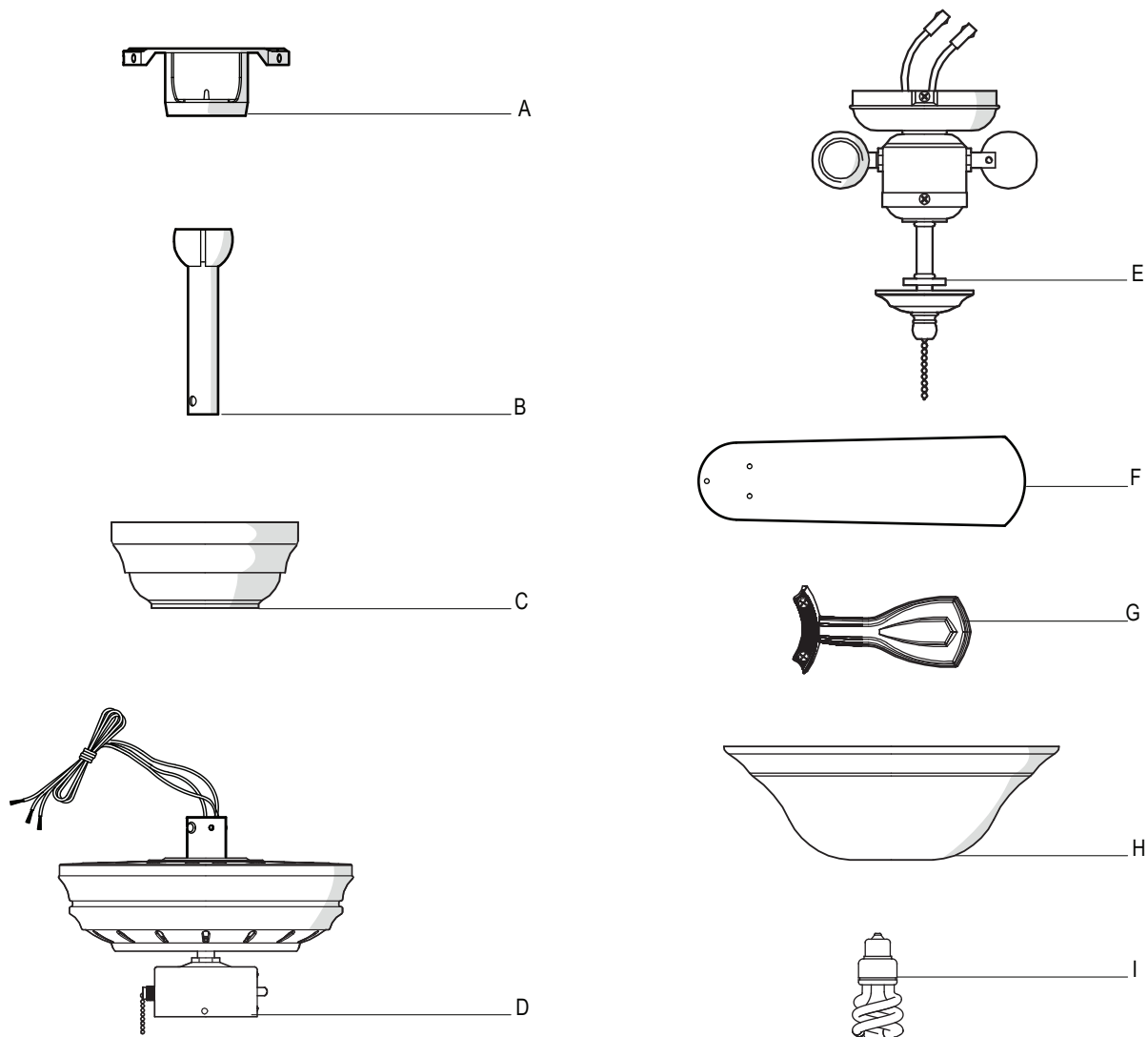


Part	Description	Quantity
AA	Blade attachment screws	15
BB	Wire connecting nut	3
CC	Hanger pin	1
DD	Locking pin	1

Part	Description	Quantity
EE	Rubber Gasket	1
FF	Pull chain	2

Pre-Installation (continued)

PACKAGE CONTENTS



Part	Description	Quantity
A	Slide-on mounting bracket (inside canopy)	1
B	Ball/downrod assembly	1
C	Canopy	1
D	Fan-motor assembly	1

Part	Description	Quantity
E	Light kit fitter assembly	1
F	Blade	5
G	Blade bracket	5
H	Glass bowl	1
I	CFL bulb, 14-watts maximum	2



IMPORTANT: This product and/or components are governed by one or more of the following U.S. Patents: 5,947,436; 5,988,580; 6,010,110; 6,046,416, 6,210,117 and other patents pending.

Installation

MOUNTING OPTIONS

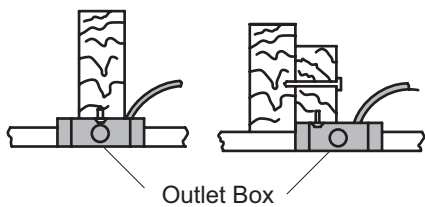


WARNING: To reduce the risk of fire, electric shock or personal injury, mount to outlet box marked "Acceptable for fan support of 35lbs. (15.9 Kg) or less", and use screws provided with the outlet box. An outlet box commonly used for the support of lighting fixtures may not be acceptable for fan support and may need to be replaced. If in doubt, consult a qualified electrician.

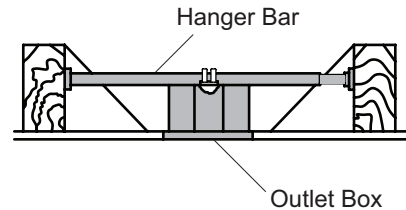
If your ceiling fan does not have an existing UL-listed mounting box, then install one using the following instructions:

- Disconnect the power by removing the fuses or turning off the circuit breakers.
- Secure the outlet box directly to the building structure. Use the appropriate fasteners and materials. The outlet box and its bracing must be able to fully support the weight of the moving fan (at least 35 lbs.). Do not use a plastic outlet box.

The illustrations below show three different ways to mount the outlet box.



NOTE: You may need a longer downrod to maintain proper blade clearance when installing on a steep, sloped ceiling. The maximum angle allowable is 30° away from horizontal.



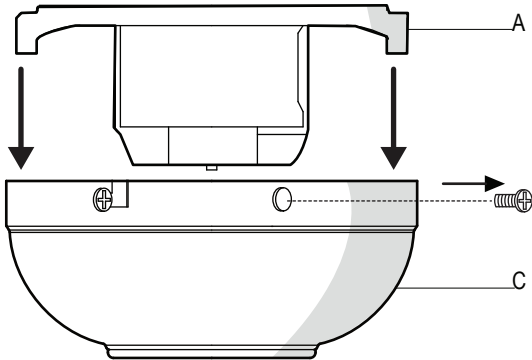
If the canopy touches the downrod, then remove the canopy bottom cover, and turn the canopy 180° before attaching the canopy to the mounting plate.

To hang your fan where there is an existing fixture but no ceiling joist, you may need an installation hanger bar as shown above (available at any Home Depot store).

Assembly - Standard Ceiling Mount

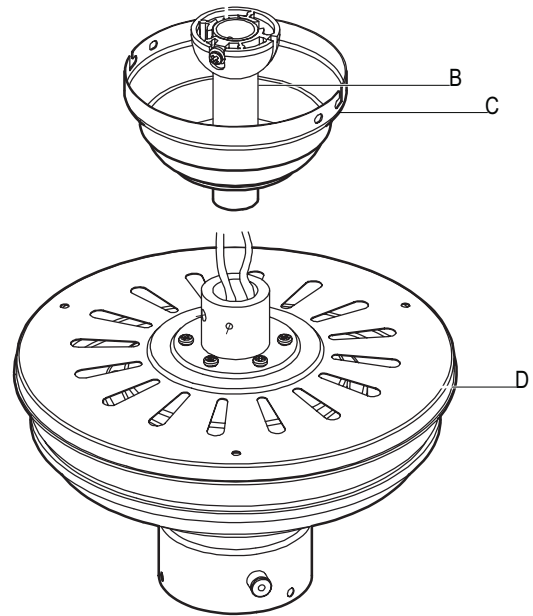
1 Preparing for mounting

- Remove the mounting plate (A) from the canopy (C) by loosening the four screws on the top of the canopy (C).
- Remove the two non-slotted screws, and loosen the slotted screws. This will enable you to remove the mounting bracket (A).



2 Routing the wires

- Route the wires exiting the top of the fan motor (D) through the canopy (C) and then through the ball/downrod assembly (B).
- Make sure the slot openings are on top and route the wires through the canopy (C) and then through the ball/downrod assembly (B).

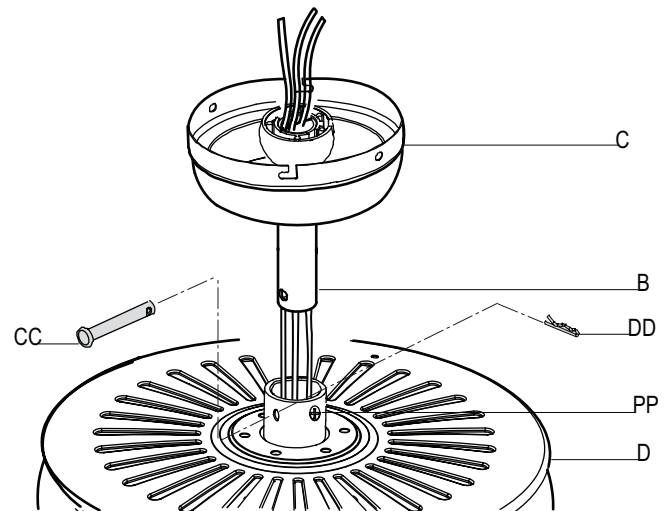


3 Assembling the fan



WARNING: Failure to properly install the locking pin could result in the fan becoming loose and possibly falling.

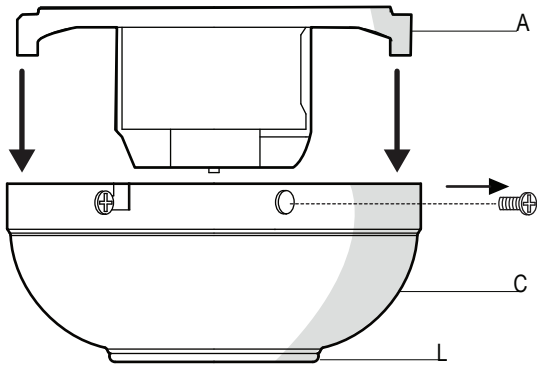
- Loosen, but do not remove, the 2 setscrews (PP) on the collar on top of the motor housing (D).
- Align the holes at the bottom of the downrod (B) with the holes in the collar on top of the motor housing (D).
- Carefully insert the hanger pin (CC) through the holes in the collar and downrod (B). Be careful not to jam the hanger pin (CC) against the wiring inside the downrod (B).
- Insert the locking pin (DD) through the hole near the end of the hanger pin (CC) until it snaps into its locked position.
- Re-tighten the 2 setscrews (PP) on the collar on top of the motor housing (D).



Assembly - Close-To-Ceiling Mount

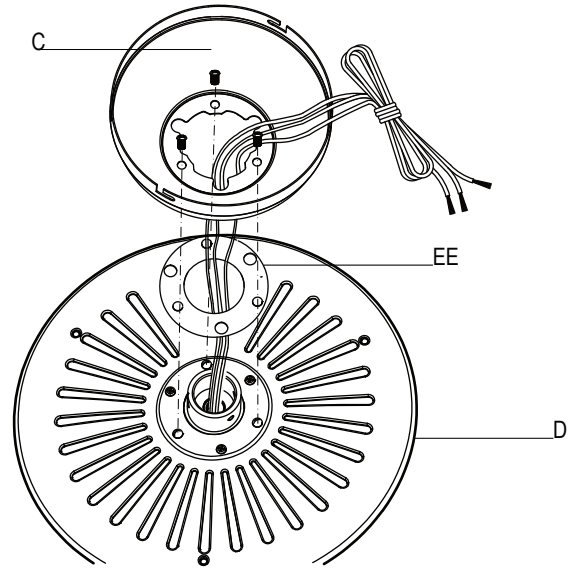
1 Close-to-Ceiling Mounting

- Remove the mounting bracket (A) from the canopy (C) by loosening the four screws on the top of the canopy (C).
- Remove the two non-slotted screws and loosen the slotted screws.
- Remove the canopy bottom cover (L) from the canopy (C) by depressing the three studs.



2 Routing the wires

- Remove three of the six screws and lock washers (every other one) securing the motor collar (M) to the top of the fan motor housing (D).
- Place the rubber gasket (EE) over the remaining three screws. Make sure the slot opening is on top, then proceed to place the ceiling canopy (C) over the collar at the top of the motor (D).
- Align the mounting holes with the holes in the motor (D) and fasten, using the three screws and lock-washers removed previously. Tighten the mounting screws securely.



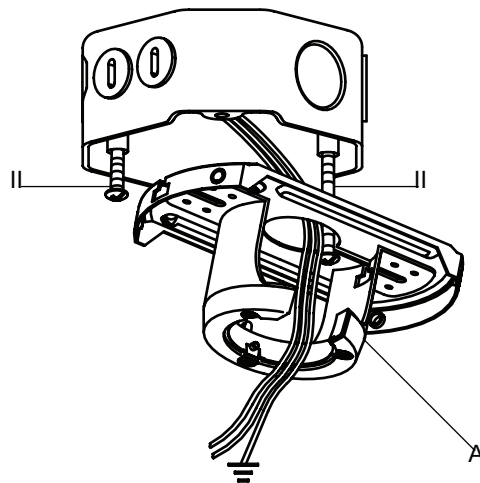
Assembly - Hanging the Fan

1 Attaching the fan to the electrical box



WARNING: To reduce the risk of fire, electric shock or personal injury, mount to outlet box marked "Acceptable for fan support of 35lbs. (15.9 Kg) or less", and use screws provided with the outlet box.

- Pass the 120-Volt supply wires through the center hole in the mounting bracket (A).
- Install the ceiling mounting bracket on the outlet box by sliding the mounting bracket (A) over the two screws (II) provided with the outlet box. If necessary, use leveling washers (not included) between the mounting bracket (A) and the outlet box. Note that the flat side of the mounting bracket (A) is toward the outlet box. When using close-to-ceiling mounting, it is important that the mounting bracket be level.
- Securely tighten the two mounting screws (II).



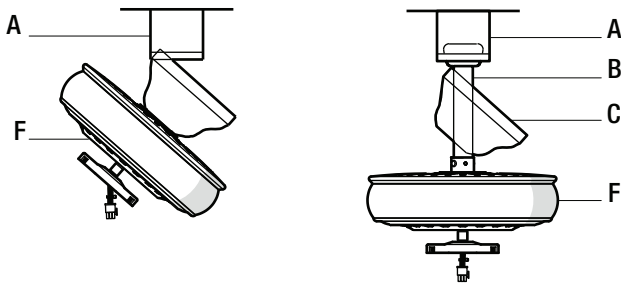
Assembly - Hanging the Fan (continued)

2 Hanging the fan



WARNING: The hook as shown is only to balance the fan while attaching wiring. Failure to hang as shown may result in hook breaking, causing the fan to fall. The hook must pass from inside to the outside of the canopy.

- Carefully lift the fan motor assembly (D) up to the mounting bracket (A).
- Seat the hanger ball portion of the ball/downrod assembly (B) in the mounting bracket socket. Ensure that the tab on the mounting bracket (A) socket is properly seated in the groove in the hanger ball. If using close-to-ceiling mounting, hang the fan on the hook provided by utilizing one of the holes at the outer rim of the ceiling canopy (C).



3 Making the electrical connection

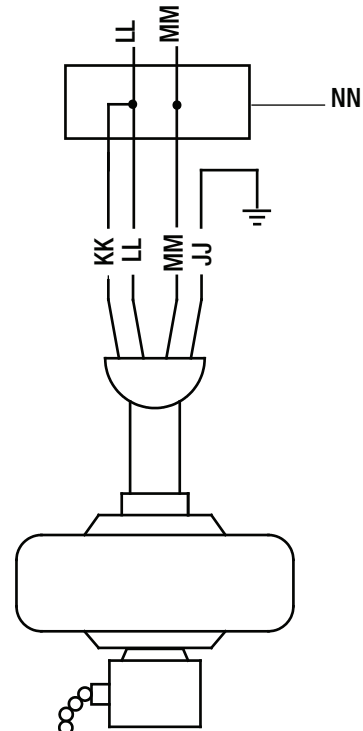


WARNING: Each wire not supplied with this fan is designed to accept up to one 12-gauge house wire and two wires from the fan. If you have larger than 12-gauge house wiring or more than one house wire to connect to the fan wiring, consult an electrician for the proper size wire nuts to use.



IMPORTANT: Use the wire connecting nuts (BB) supplied with your fan. Secure the connectors with electrical tape and ensure there are no loose strands or connections.

- Connect the ground conductor of the 120-Volt supply (this may be a bare wire or a wire with green colored insulation) to the green ground lead(s) (JJ) of the fan. When using standard ceiling mounting, there are two green grounding leads; one from the ceiling mounting bracket and one from the ball/downrod assembly. When using close to ceiling mounting, there is only one green grounding lead from the ceiling mounting bracket since the ball/downrod assembly is not used.
- Connect the fan motor white wire (MM) to the supply white (neutral) wire (MM) using a wire connecting nut (BB).
- Connect the fan motor black wire (LL) to the supply (hot) wire (LL) using a wire connecting nut (BB).
- Connect the blue wire (KK) for the light kit to the supply (hot) wire (LL) using a wire connecting nut (BB).
- After connecting the wires, spread them apart so that the green (JJ) and white wires (MM) are one side of the outlet box (NN) and the black wire (LL) is on the other side.
- Turn the wire connecting nuts upward, and carefully push the wiring into the outlet box (NN).



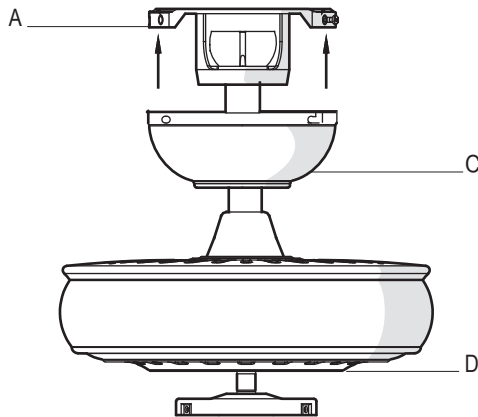
Assembly - Hanging the Fan (continued)

4 Mounting the fan



WARNING: When using the standard ball/downrod mounting, the tab in the ring at the bottom of the mounting bracket must rest in the groove of the hanger ball. Failure to properly seat the tab in the groove could cause damage to the wiring.

- Align the locking slots of the ceiling canopy (C) with the two screws in the mounting bracket (A). Push up to engage the slots, and turn clockwise to lock the canopy (C) in place.
- Firmly tighten the two mounting screws (M).
- Install the remaining two mounting screws (M) into the holes in the canopy (C) and tighten firmly.

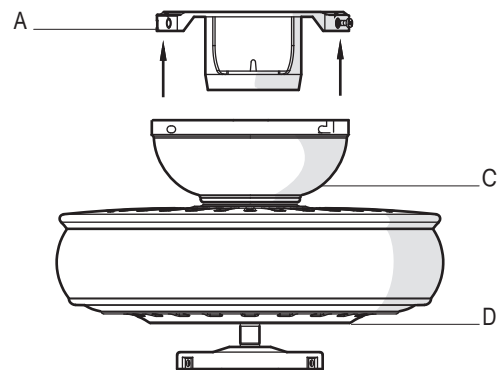


Close-to-Ceiling mounting



WARNING: The locking slots of the ceiling canopy are provided only as an aid to mounting. Do not leave the fan assembly unattended until all four canopy screws are engaged and firmly tightened.

- Carefully unhook the fan from the mounting bracket (A) and align the locking slots of the ceiling canopy (C) with the two screws in the mounting bracket (A). Push up to engage the slots and turn clockwise to lock the canopy (C) in place. Immediately tighten the two mounting screws (M) firmly.
- Install the remaining two mounting screws (M) into the holes in the canopy (C) and tighten firmly.



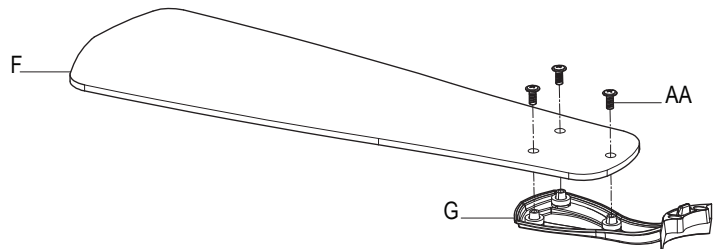
Assembly - Attaching the Fan Blades

5 Attaching the fan blades



NOTE: Your fan blades are reversible. Select the blade side finish which best accentuates your decor.

- Attach blade (F) to blade bracket (G) using the screws (AA) provided. Please note that the rubber washers are pre-attached to the blade bracket (G). Insert a screw into the blade bracket (G). Repeat for the two remaining screws (AA).
- Tighten each screw securely.
- Fasten the blade assembly to the motor by inserting the alignment post into the slot on the bottom of the motor and tighten the motor screws. Please note that the motor screws are pre-attached into the blade arm.
- Repeat steps 1-3 for the remaining blades.



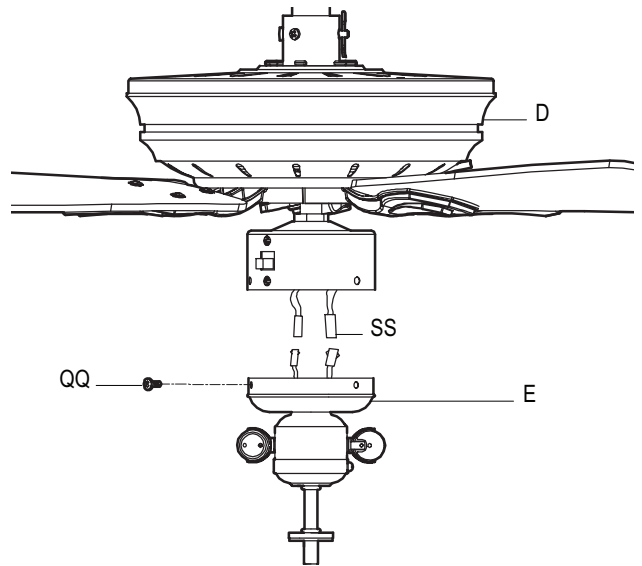
Assembly - Attaching the Light Kit

6 Attaching the light kit



CAUTION: To reduce the risk of electric shock, disconnect the electrical supply circuit to the fan before installing the light kit.

- Remove the three screws (QQ) from the light kit fitter assembly (E) below the fan motor assembly (D).
- Connect the wires exiting the bottom of the motor assembly (D) by connecting the molded adaptor plugs (SS) together (black to black, white to white).
- Slide the switch cup light kit (E) and secure it to the switch housing using the three screws (QQ) that were removed in the first step.



7 Installing the bulbs and attaching the glass bowl

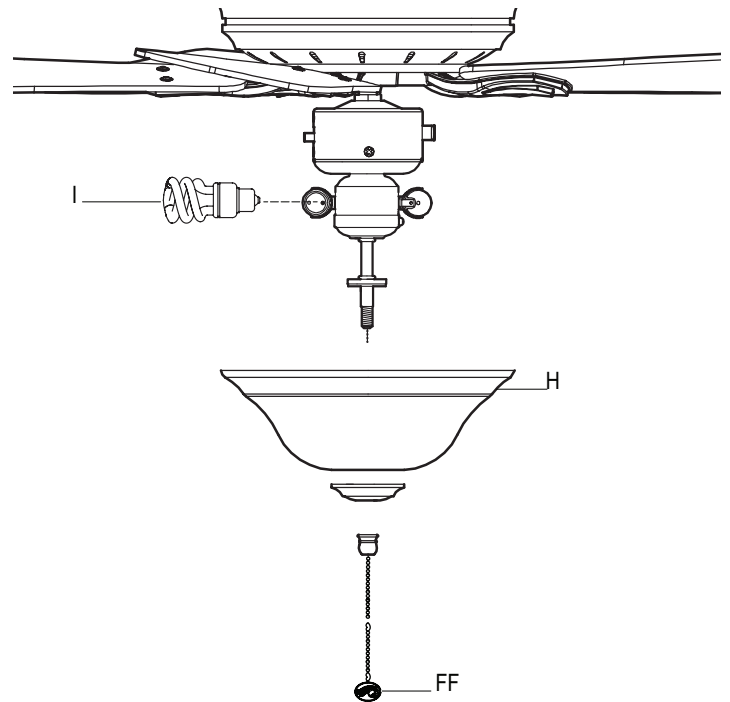


CAUTION: Make sure the power is off before attaching or removing the glass bowl.



WARNING: Allow the glass bowl to cool completely before removing.

- Remove the finial from the switch cup/light kit assembly.
- With power off, install the two bulbs (I) by twisting them into the light bulb sockets. Position the glass bowl (H) over the threaded nipple and pass the pull chain for the fan through the hole under the glass bowl (H).
- Re-install the finial.
- Attach the pull chain extension (FF).



CAUTION: Over lamping the fan will result in the fan lights shutting down until the proper wattage bulbs are installed. Reset the lights by turning off the power, replacing the bulbs with the correct wattage bulbs, and turn the power on.

Operation

Turn on the power and check the operation of the fan. The pull chain controls the fan speeds as follows:

1 pull - High, 2 pulls - Medium, 3 pulls - Low, 4 pulls - off

The appropriate speed settings for warm or cool weather depends on factors such as the room size, ceiling height, and number of fans.

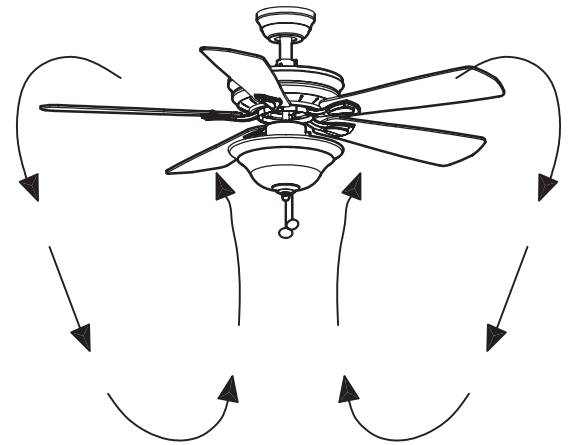
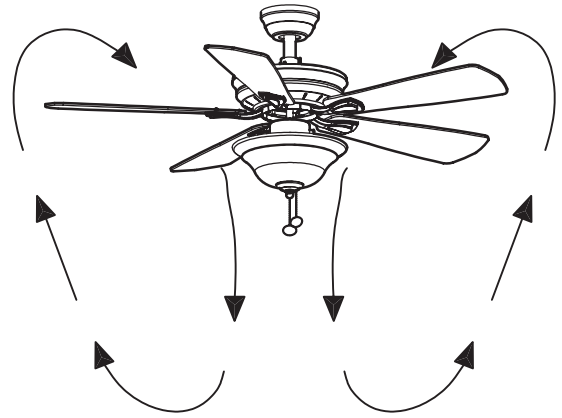
The slide switch controls the direction of the blades: forward (switch down) or reverse (switch up)



NOTE: Wait for the fan to stop before reversing the direction of blade rotation.

Warm weather - (Forward) A downward airflow creates a cooling effect. This allows you to set your air conditioner on a warmer setting without affecting your comfort.

Cool weather - (Reverse) An upward airflow moves warm air off of the ceiling. This allows you to set your heating unit on a cooler setting without affecting your comfort.



Care and Cleaning



WARNING: Make sure the power is off before cleaning your fan.

- Because of the fan's natural movement, some connections may become loose. Check the support connections, brackets, and blade attachments twice a year. Make sure they are secure. It is not necessary to remove the fan from the ceiling.
- Clean your fan periodically to help maintain its new appearance over the years. Do not use water when cleaning, as this could damage the motor, or the wood, or possibly cause an electrical shock. Use only a soft brush or lint-free cloth to avoid scratching the finish. The plating is sealed with a lacquer to minimize discoloration or tarnishing.
- You can apply a light coat of furniture polish to the wood for additional protection and enhanced beauty. Cover small scratches with a light application of shoe polish.
- You do not need to oil your fan. The motor has permanently-lubricated sealed ball bearings.

Troubleshooting

Problem	Solution
The fan will not start	<ul style="list-style-type: none"><input type="checkbox"/> Check the main and branch circuit fuses or breakers.<input type="checkbox"/> Check the line wire connections to the fan and switch wire connections in the switch housing.
The fan is noisy	<ul style="list-style-type: none"><input type="checkbox"/> Ensure all motor housing screws are snug.<input type="checkbox"/> Ensure the screws that attach the fan blade bracket to the motor hub are tight.<input type="checkbox"/> Ensure the wire nut connections are not rattling against each other or the interior wall of the switch housing.<input type="checkbox"/> Allow a 24-hour "breaking in" period. Most noises associated with a new fan disappear during this time.<input type="checkbox"/> If you are using the Ceiling Fan light kit, ensure the screws securing the glassware are tight. Check that the light bulbs are also secure.<input type="checkbox"/> Ensure the canopy is a short distance from the ceiling. It should not touch the ceiling.<input type="checkbox"/> Ensure your outlet box is secure and rubber isolator pads were used between the mounting plate and outlet box.
The fan wobbles	<ul style="list-style-type: none"><input type="checkbox"/> Check that all blade and blade arm screws are secure.<input type="checkbox"/> Most fan wobble problems are caused when blade levels are unequal. Check this level by selecting a point on the ceiling above the tip of one of the blades. Measure from a point on the center of each blade to the point on the ceiling. Measure this distance. Rotate the fan until the next blade is positioned for measurement. Repeat for each blade. Any measurement deviation should be within 1/8 in. Run the fan for ten minutes. If the fan continues to wobble please contact Customer Service and a balancing kit will be sent to you at no charge.



Questions, problems, missing parts? Before returning to the store,
call Hampton Bay Customer Service
8 a.m. - 6 p.m., EST, Monday-Friday

1-877-527-0313

HAMPTONBAY.COM

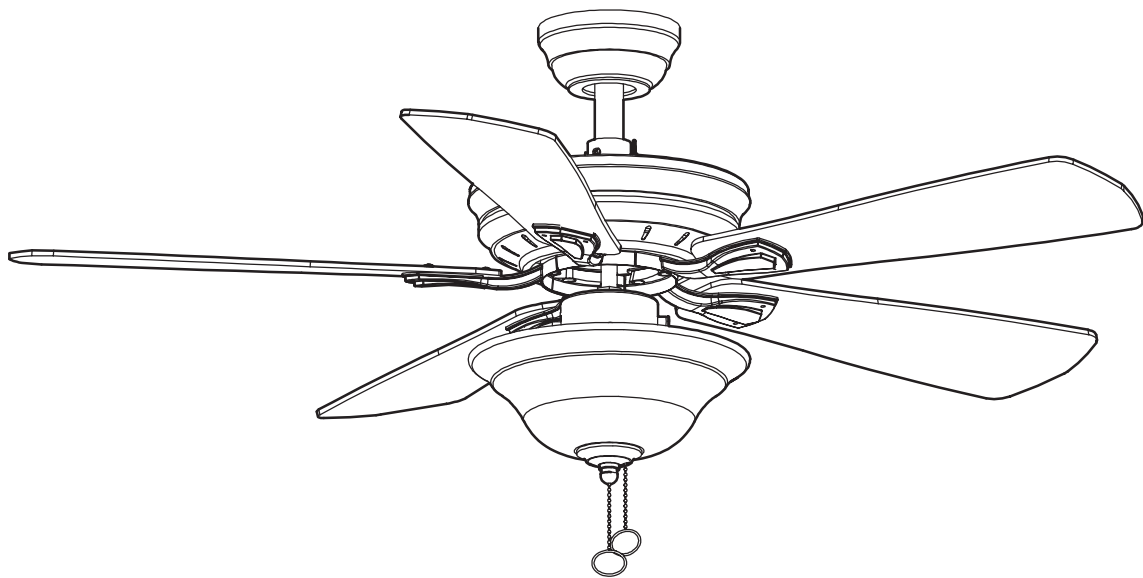
Retain this manual for future use.



Artículo Núm.610-016
Modelo Núm.51360
Modelo Núm. EF200B-44
Aprobado por UL

GUÍA DE USO Y MANTENIMIENTO

VENTILADOR DE TECHO WELLSTON, DE 44 PLG (1,18 M)



¿Preguntas, problemas o piezas faltantes? Antes de regresar a la tienda,
llama al Servicio al Cliente de Hampton Bay
de lunes a viernes entre 8 a.m. y 6 p.m., (hora del Este de EE. UU.)

1-877-527-0313

HAMPTONBAY.COM

GRACIAS POR TU COMPRA

Apreciamos la confianza que has depositado en Hampton Bay al comprar este ventilador de techo. Nos esforzamos para continuamente crear productos de calidad diseñados para tu hogar. Visítanos por Internet para ver nuestra línea completa de productos disponibles para las necesidades de mejoras de tu hogar.

¡Gracias por elegir Hampton Bay!

Tabla de Contenido

Tabla de Contenido	2
Información de Seguridad	2
Garantía	3
Preinstalación	3
Instalación	6
Ensamblaje	7
Funcionamiento	12
Mantenimiento y Limpieza	13
Solución de Problemas	13

Información de Seguridad

1. Todo el cableado debe cumplir con el Código Nacional de Electricidad ANSI/NFPA 70 y con los códigos locales de electricidad. La instalación eléctrica debe ser hecha por un electricista certificado y calificado.
2. La caja eléctrica y estructura de soporte deben montarse de forma segura y tener capacidad para sostener de manera confiable 35 libras. Usa solamente cajas eléctricas aprobadas por UL marcadas como "Aprobada como soporte de ventiladores de 35 lb (15,9 kg) o menos".
3. El ventilador debe ir montado con un mínimo de 7 pies (2 m) de separación entre el borde trasero de las aspas y el piso.
4. No muevas el interruptor de reversa mientras las aspas del ventilador estén en movimiento. Debes apagar y detener las aspas antes de invertir la dirección de las aspas.
5. No coloques objetos en la trayectoria de las aspas.
6. Los diagramas eléctricos son sólo para referencia. Los kits de luces no empaquetados con el ventilador deben estar aprobados por UL y marcados como apropiados para ser usados con el modelo de ventilador a instalar. Los interruptores deben ser Interruptores de Uso General aprobados por UL. Consulta las instrucciones adjuntas a los kits de luces e interruptores para obtener información sobre el ensamblaje adecuado. Usa bombillas CFL de 14 watts máximo (incluidas).
7. Después de concluir con las conexiones eléctricas, debes voltear los conductores empalmados hacia arriba y empujarlos con cuidado hacia dentro de la caja eléctrica. Los cables deben estar separados, con el cable a tierra y el conductor a tierra del equipo hacia uno de los lados de la caja eléctrica.
8. Todos los tornillos de fijación deben ser verificados y ajustados donde sea necesario, antes de la instalación.



ADVERTENCIA: Para reducir el riesgo de lesiones, no dobles los soportes de las aspas (también llamados bridas) durante el ensamblaje o después de la instalación. No coloques objetos en la trayectoria de las aspas.



ADVERTENCIA: Retira los toques de goma del motor en la parte inferior del ventilador antes de instalar las aspas o probar el motor.



ADVERTENCIA: Para disminuir el riesgo de incendio o descarga eléctrica, no utilices este ventilador con ningún dispositivo de control de velocidad de estado sólido.



ADVERTENCIA: Para reducir el riesgo de incendio, descarga eléctrica o lesiones personales, monta el ventilador sobre una caja eléctrica marcada como "aprobada como soporte de ventiladores de 35 lbs (15,9 kg) o menos", y usa los tornillos de montaje que vienen con la misma.



ADVERTENCIA: Para evitar una posible descarga eléctrica, corta la energía eléctrica en la caja principal de fusibles antes de instalar el cableado. Si crees que no tienes suficiente experiencia o conocimientos sobre cableado eléctrico, contrata a un electricista con licencia.



PRECAUCIÓN: Para reducir el riesgo de lesiones, usa sólo los tornillos incluidos con la caja eléctrica.



PRECAUCIÓN: Para evitar lesiones, o daños al ventilador y otros objetos, ten cuidado al trabajar cerca del ventilador o al limpiarlo.

Garantía

A partir de la fecha de compra por el comprador original, el proveedor garantiza de por vida, que el motor del ventilador no presenta defectos de fabricación ni de material desde la fecha de salida de la fábrica. El proveedor también garantiza por un período de un año, a partir de la fecha de compra por el comprador original, que todas las demás piezas del ventilador, sin incluir ningún aspa de vidrio o acrílico, no presentarán ningún defecto de fabricación o de material en el momento de su salida de la fábrica. Acordamos reparar todos los defectos del tipo antes mencionado, sin cargo alguno, o a nuestra discreción, reemplazar el producto por un modelo de calidad comparable o superior si el producto se devuelve. Para obtener servicio de garantía usted debe presentar una copia del recibo como comprobante de compra. Todos los costos de retiro y reinstalación del producto son su responsabilidad. Daños a cualquiera de las piezas como resultado de accidentes, instalación o uso incorrecto o debidos a la instalación de cualquier accesorio, no están cubiertos bajo esta garantía. Debido a que las condiciones climáticas pueden variar, esta garantía no cubre ningún cambio del acabado en bronce, incluyendo óxido, perforación, corrosión, manchas o descascaramiento. Los acabados en bronce de este tipo tienen una vida útil más prolongada cuando se protegen de las condiciones climáticas cambiantes. Es normal cierta "oscilación" y no debe ser considerado como un defecto. Cualquier servicio técnico conducido por personas no autorizadas anulará la garantía. No hay ninguna otra garantía expresa. Mediante la presente Hampton Bay se exime de cualquier garantía, incluyendo pero sin limitarse a aquellas de comercialización e idoneidad para un fin particular, de acuerdo a lo contemplado por la ley. La duración de cualquier garantía implícita que no se pueda eximir, está limitada al período de tiempo especificado en la garantía explícita. Algunos estados no permiten una limitación en la duración de la garantía, por consiguiente la limitación anterior puede no aplicarse a su caso. El minorista no será responsable por daños directos, indirectos o especiales que resulten o deriven del uso o rendimiento del producto excepto en casos en que lo estipule la ley. Algunos estados no permiten la exclusión o limitación de daños directos o indirectos, por lo que la limitación o exclusión anterior podría no aplicarse a su caso. Esta garantía le otorga derechos legales específicos pero es posible que también tenga otros derechos que varían de un estado a otro. Esta garantía sustituye todas las garantías anteriores. Los costos de envío de cualquier devolución de productos hecha como parte de una reclamación de garantía deben ser pagados por el cliente.

Comuníquese con el Equipo de Servicio al Cliente por el teléfono 1-877-527-0313 o visite www.HamptonBay.com.

Preinstalación

ESPECIFICACIONES

Tamaño	Velocidad	Voltios	Amperios	Watts	RPM	PCM	Peso Neto peso	Peso Bruto peso	Pies Cúbicos
44" (1,18 m)	Baja	120	0,22	12	95	1673	14,96 lb (6,8 kg)	16,53 lb (7,5 kg)	1,07' (0,031 m ³)
	Media		0,32	25	145	2609			
	Alta		0,43	51	200	3770			



NOTA: Estas medidas son aproximadas. No incluyen ni el amperaje ni el vataje consumido por el kit de luces.



HERRAMIENTAS NECESARIAS



Destornillador
Phillips



Destornillador
plano



Llave
ajustable



Cinta de
electricista



Cortacables



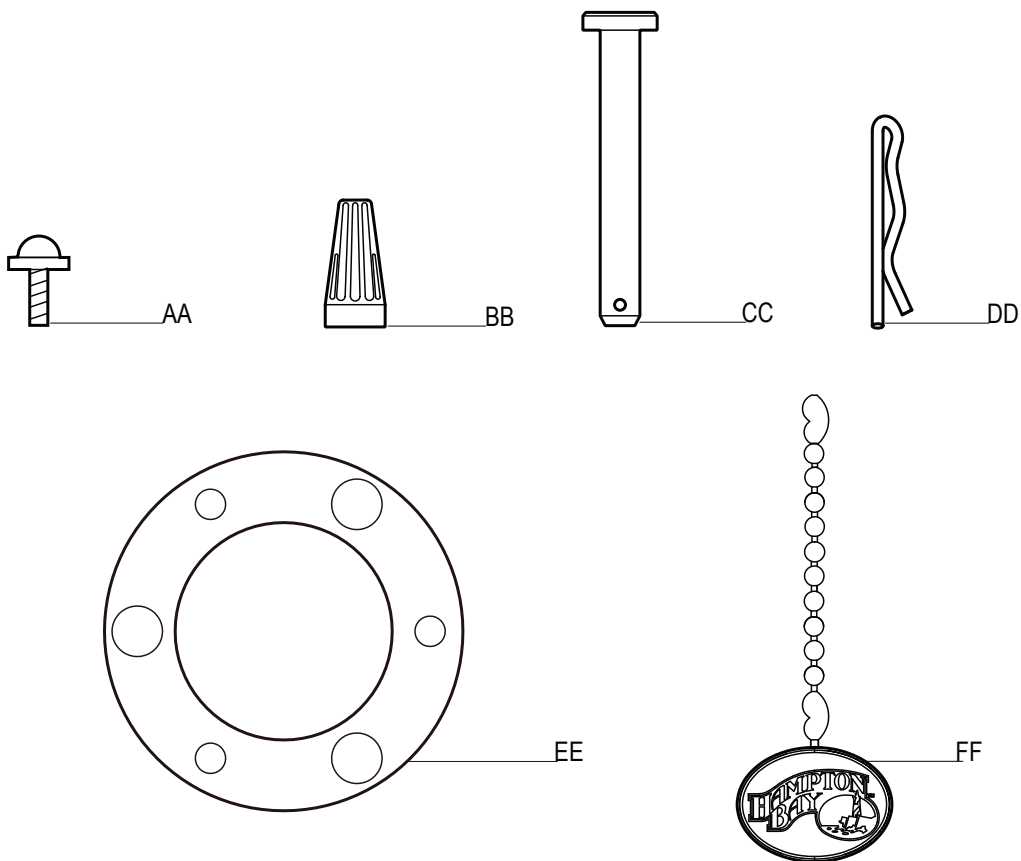
Escalera

Preinstalación (continuación)

HERRAJES INCLUIDOS



NOTA: No se muestra el tamaño real de los herrajes.

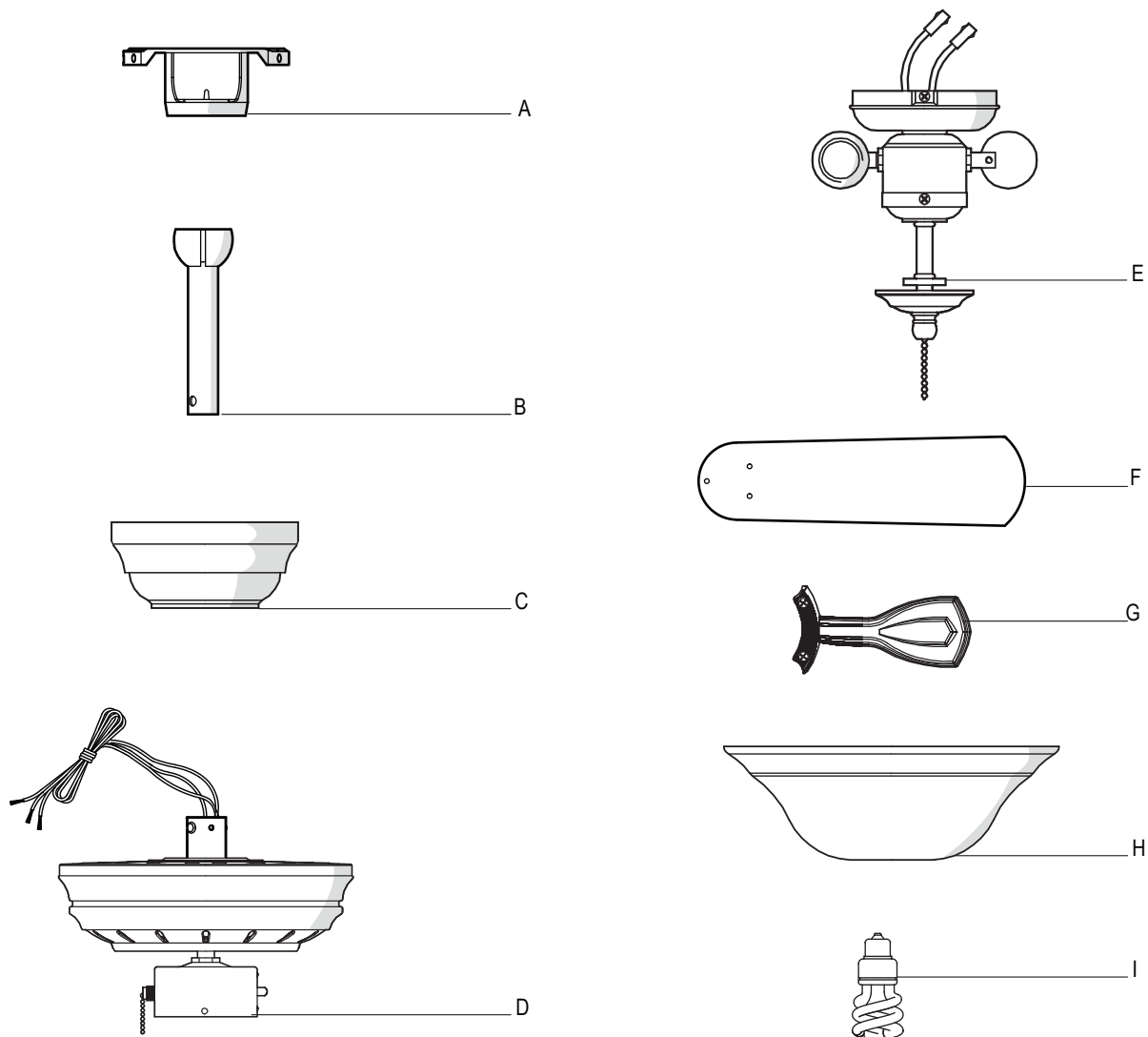


Pieza	Descripción	Cantidad
AA	Tornillos para el montaje de aspas	15
BB	Tuerca para conectar cables	3
CC	Pasador de soporte	1
DD	Pasador de cierre	1

Pieza	Descripción	Cantidad
EE	Junta de goma	1
FF	Interruptor de cadena	2

Preinstalación (continuación)

CONTENIDO DEL PAQUETE



Pieza	Descripción	Cantidad
A	Soporte de montaje deslizante (dentro de la cubierta)	1
B	Ensamblaje de tubo bajante/bola	1
C	Cubierta	1
D	Ensamblaje del motor del ventilador	1

Pieza	Descripción	Cantidad
E	Ensamblaje del soporte del kit de luces	1
F	Aspa	5
G	Soporte de aspa	5
H	Tazón de vidrio	1
I	Bombilla CFL, máximo de 14 Watts	2



IMPORTANTE: Este producto y/o sus componentes están protegidos por una o más de las siguientes Patentes de los EE.UU.: 5,947,436; 5,988,580; 6,010,110; 6,046,416, 6,210,117 y otras patentes pendientes.

Instalación

OPCIONES DE MONTAJE

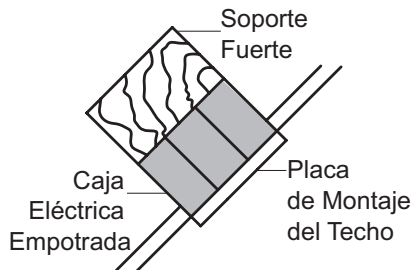
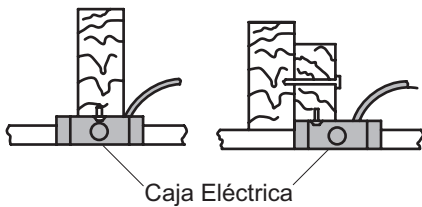
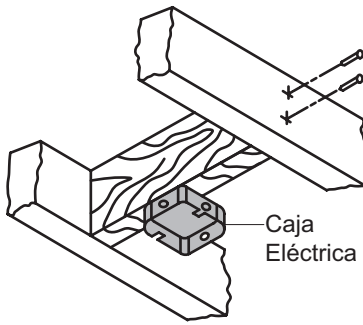


ADVERTENCIA: Para reducir el riesgo de incendio, descarga eléctrica o lesiones personales, monta el ventilador sobre una caja eléctrica marcada como “aprobada como soporte de ventiladores de 35 lb (15,9 kg) o menos”, y usa los tornillos de montaje que vienen con la misma. Las cajas eléctricas utilizadas comúnmente para el soporte de artículos de iluminación pueden no servir como soporte de ventilador, y tal vez deban reemplazarse. En caso de duda, consulta a un electricista calificado.

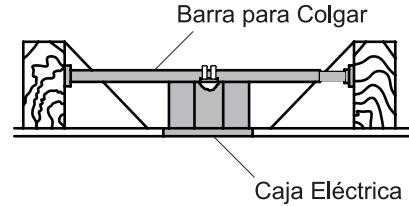
Si tu ventilador de techo no tiene una caja de montaje aprobada por UL, instala una siguiendo las instrucciones a continuación:

- ❑ Desconecta la energía retirando los fusibles o apagando los cortacircuitos.
- ❑ Asegura la caja eléctrica directamente a la estructura del edificio. Usa sujetadores y materiales apropiados. La caja eléctrica y su soporte deben poder sostener el peso completo del ventilador en movimiento (al menos 35 lb). No uses una caja eléctrica de plástico.

Las ilustraciones a continuación muestran tres formas distintas de montar la caja eléctrica.



NOTA: Tal vez necesites un tubo bajante más largo para mantener la altura mínima adecuada de las aspas al instalar el ventilador en un techo inclinado. El ángulo máximo permitido es de 30° de la posición horizontal.



Si la cubierta toca el tubo bajante, retira la tapa inferior de la cubierta y gira la cubierta 180° antes de fijarla a la placa de montaje.

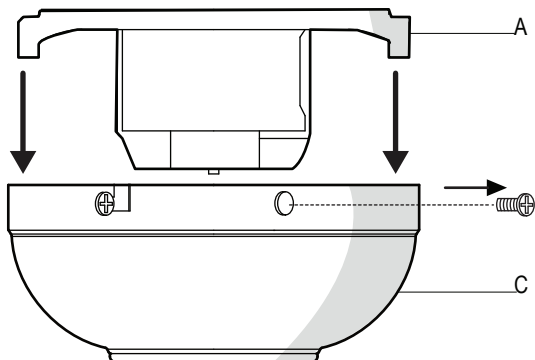
Para colgar el ventilador donde ya haya una lámpara pero ninguna viga de techo, tal vez necesites una barra colgante como se muestra anteriormente

(disponible en cualquier tienda de The Home Depot).

Ensamblaje – Montaje Estándar en Techo

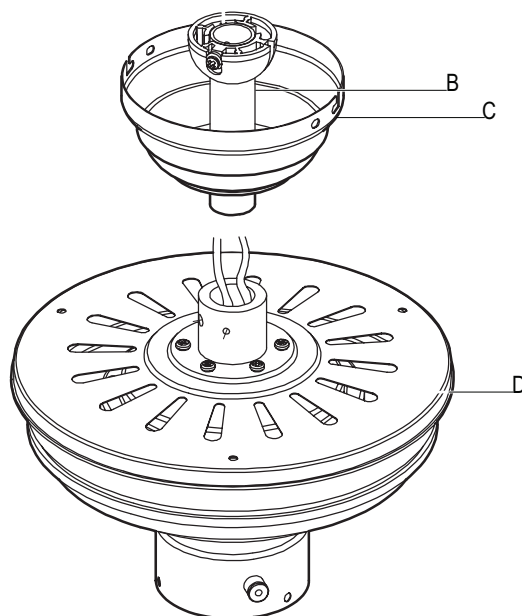
1 Preparación para el montaje

- ❑ Retira la placa de montaje (A) de la cubierta (C) aflojando los cuatro tornillos en la parte superior de la cubierta (C).
- ❑ Quita los dos tornillos sin ranura y afloja los tornillos ranurados. Esto te permitirá retirar el soporte de montaje (A).



2 Disposición de los cables

- ❑ Inserta los cables que salen por la parte superior del motor del ventilador (D) a través de la cubierta (C) y luego por el ensamblado del tubo bajante y la bola (B).
- ❑ Asegúrate de que las ranuras estén en la parte superior y pasa los cables a través de la cubierta (C), y luego a través del ensamblado de tubo bajante/bola (B).

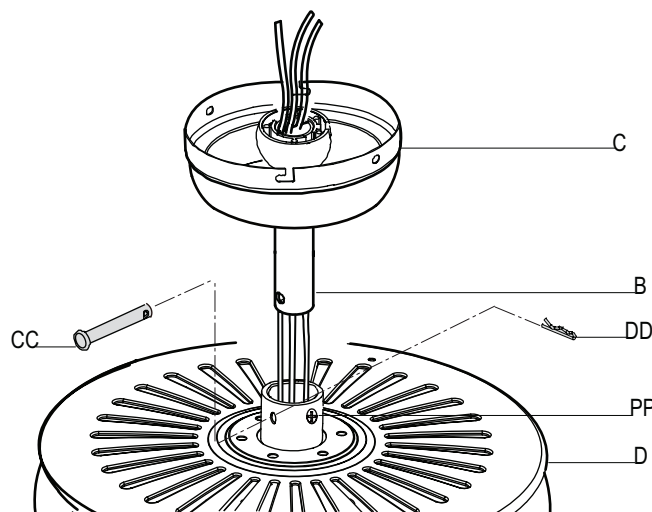


3 Cómo ensamblar el ventilador



ADVERTENCIA: Si no instalas correctamente el pasador de cierre es posible que el ventilador se afloje y caiga.

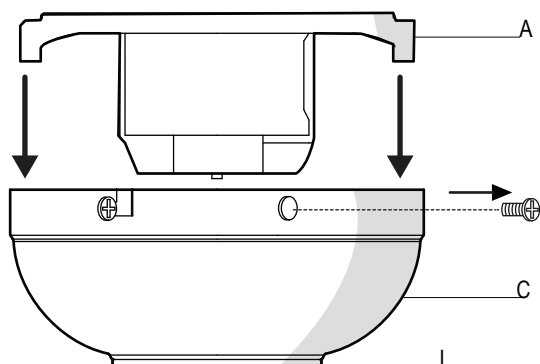
- ❑ Afloja, sin quitar, los tornillos (PP) del collarín ubicados en la parte superior de la carcasa del motor (D).
- ❑ Alinea los orificios en la parte inferior del tubo bajante (B) con los orificios en el collarín de la parte superior de la carcasa del motor (D).
- ❑ Inserta con cuidado el pasador de soporte (CC) a través de los orificios del collarín y del tubo bajante (B). Ten cuidado de no apretar el pasador de soporte (CC) contra el cableado dentro del tubo bajante (B).
- ❑ Inserta el pasador de cierre (DD) en el orificio cercano al extremo del pasador de soporte (CC) hasta que quede encajado en su posición.
- ❑ Vuelve a ajustar los tornillos (PP) del collarín en la parte superior de la carcasa del motor (D).



Ensamblaje – Montaje "Cerca del Techo"

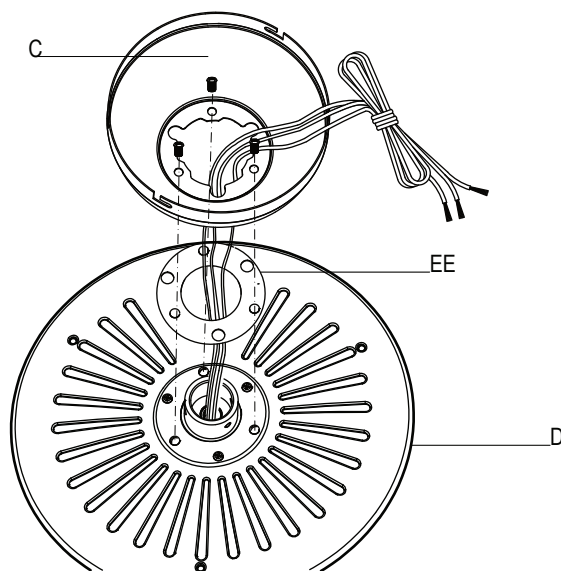
1 Montaje "Cerca del Techo"

- ❑ Retira el soporte de montaje (A) de la cubierta (C) aflojando los cuatro tornillos en la parte superior de la cubierta (C).
- ❑ Quita los dos tornillos sin ranura y afloja los tornillos ranurados.
- ❑ Retira la cubierta inferior de la cubierta (L) de la cubierta (C) oprimiendo los tres pernos.



2 Disposición de los cables

- ❑ Retira tres de los seis tornillos y arandelas de seguridad (alternados) que sujetan el collarín del motor (M) a la parte superior de la carcasa del motor del ventilador (D).
- ❑ Coloca la junta de goma (EE) sobre los otros tres tornillos. Asegúrate de que las ranuras estén arriba, luego procede a colocar la cubierta de techo (C) sobre el collarín en la parte superior del motor (D).
- ❑ Alinea los orificios de montaje con los orificios del motor (D) y asegura con los tres tornillos y las arandelas de seguridad que retiraste anteriormente. Asegúrate de ajustar bien los tornillos de montaje.



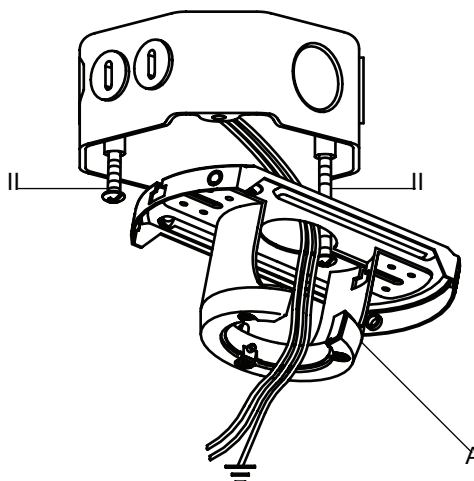
Ensamblaje – Cómo Colgar el Ventilador

1 Cómo fijar el ventilador a la caja eléctrica



ADVERTENCIA: Para reducir el riesgo de incendio, descarga eléctrica o lesiones personales, monta el ventilador sobre una caja eléctrica marcada como "aprobada como soporte de ventiladores de 35 lb (15,9 kg) o menos", y usa los tornillos de montaje que vienen con la misma.

- ❑ Pasa los cables de suministro de 120 V a través del orificio central en el soporte de montaje (A).
- ❑ Instala el soporte de montaje en techo sobre la caja eléctrica deslizando el soporte de montaje (A) sobre los dos tornillos (II) suministrados con la caja eléctrica. Si es necesario, usa arandelas niveladoras (no incluidas) entre el soporte de montaje (A) y la caja eléctrica. Fíjate que el lado plano del soporte de montaje (A) esté hacia la caja eléctrica. Cuando uses el montaje cerca del techo, es importante que el soporte de montaje esté nivelado.
- ❑ Ajusta firmemente los dos tornillos de montaje (II).



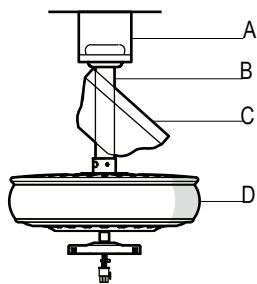
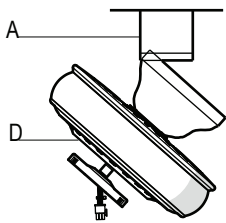
Ensamblaje – Cómo Colgar el Ventilador (continuación)

2 Cómo colgar el ventilador



ADVERTENCIA: El gancho usado como se muestra es sólo para sostener el ventilador mientras se conectan los cables. Si no se cuelga como se muestra puede romperse el gancho, y el ventilador se caerá. El gancho debe pasar de adentro hacia fuera de la cubierta.

- Levanta con cuidado el ensamblaje del motor del ventilador (D) hasta el soporte de montaje (A).
- Encaja la porción de la bola de soporte del ensamblaje de tubo bajante/bola (B) en el casquillo de la placa de montaje. Asegúrate de que la pestaña sobre el casquillo del soporte de montaje (A) encaje bien dentro de la ranura de la bola de soporte. Si usas el montaje "cerca del techo", cuelga el ventilador del gancho suministrado usando uno de los orificios en el borde exterior de la cubierta de techo (C).



3 Cómo hacer las conexiones eléctricas

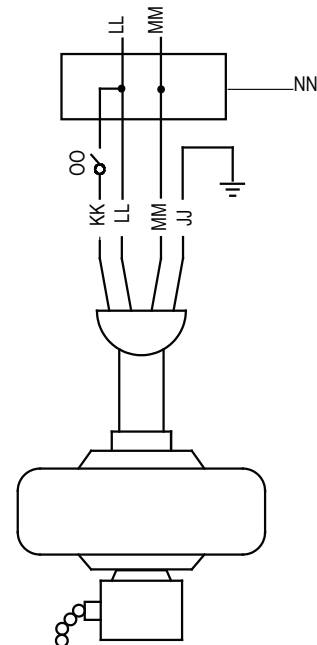


ADVERTENCIA: Cada cable no suministrado con este ventilador está diseñado para aceptar un máximo de un solo circuito eléctrico doméstico de calibre 12 y dos cables del ventilador. Si tienes un cableado superior a calibre 12 o más de un cable para conectar al ventilador, consulta a un electricista para conocer el tamaño adecuado de las tuercas a usar.



IMPORTANTE: Usa las tuercas de conexión de cables (BB) que vienen con tu ventilador. Amarra los conectores con cinta eléctrica y asegúrate de que no haya cables o conexiones sueltas.

- Conecta el conductor a tierra del cable de 120 Voltios (puede ser un cable desnudo o un cable con aislante verde) al (los) cable(s) terminal(es) a tierra verde(s) (JJ) del ventilador. Cuando uses el montaje estándar en techo, existen dos cables terminales a tierra verdes; uno desde el soporte de montaje de techo y otro desde el ensamblaje del tubo bajante/bola. Cuando uses el montaje "cerca del techo", habrá solamente un cable a tierra verde, del soporte de montaje de techo; esto se debe a que el ensamblado del tubo bajante/bola no se utiliza.
- Conecta el cable blanco del motor del ventilador (MM) al cable blanco de suministro (neutro) (MM) usando una tuerca de conexión de cables (BB).
- Conecta el cable negro del motor del ventilador (LL) al cable negro (LL) usando una tuerca de conexión de cables (BB).
- Conecta el cable azul del motor del ventilador (KK) al cable azul (LL) usando una tuerca de conexión de cables (BB).
- Después de conectar los cables, sepáralos de manera que los cables verde (JJ) y blanco (MM) queden de un lado de la caja eléctrica (NN) y el cable negro (LL) del otro.
- Gira las tuercas de conexión del cable hacia arriba y, con cuidado, coloca el cableado dentro de la caja eléctrica (NN).



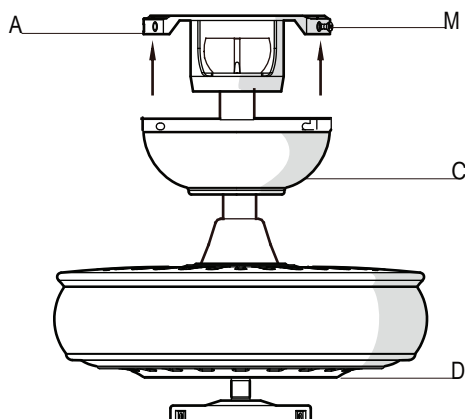
Ensamblaje – Cómo Colgar el Ventilador (continuación)

4 Cómo montar el ventilador



ADVERTENCIA: Cuando uses el montaje del tubo bajante/bola estándar, la pestaña en el aro en la parte inferior del soporte de montaje debe encajar en la ranura de la bola de soporte. Si la pestaña no se asienta correctamente en la ranura, se puede dañar el cableado.

- Alinea las ranuras de cierre de la cubierta de techo (C) con los dos tornillos del soporte de montaje (A). Alza para enganchar las ranuras y gira de izquierda a derecha para asegurar la cubierta (C) en su sitio.
- Ajusta firmemente los dos tornillos de montaje (M).
- Instala los dos tornillos de montaje restantes (M) en los orificios de la cubierta (C) y aprieta firmemente.

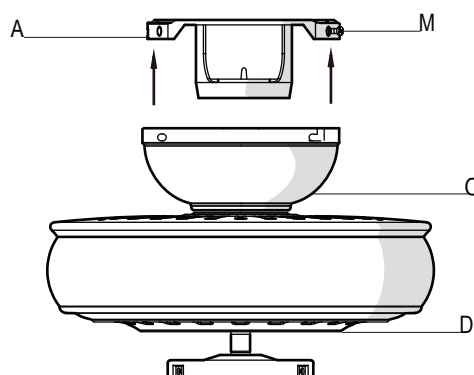


Montaje "Cerca del Techo"



ADVERTENCIA: Las ranuras de cierre de la cubierta del techo se incluyen solamente como una ayuda para el montaje. No dejes sin supervisión el ensamblaje del ventilador hasta que los cuatro tornillos de la cubierta estén fijos y firmemente ajustados.

- Con cuidado desengancha el ventilador del soporte de montaje (A) y alinea las ranuras de cierre de la cubierta del techo (C) con los dos tornillos en el soporte de montaje (A). Alza para enganchar las ranuras y gira de izquierda a derecha para asegurar la cubierta (C) en su sitio. Ajusta inmediatamente y con firmeza los dos tornillos de montaje (M).
- Instala los dos tornillos de montaje restantes (M) en los orificios de la cubierta (C) y aprieta firmemente.



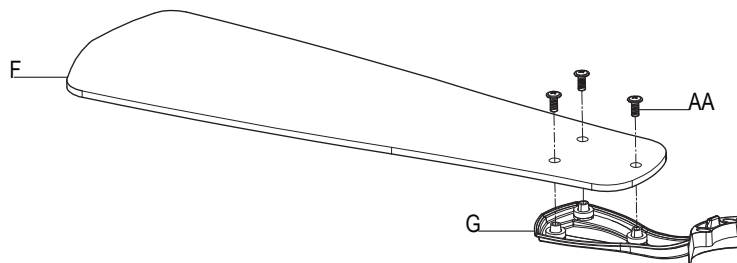
Ensamblaje – Cómo Unir las Aspas del Ventilador

5 Cómo unir las aspas del ventilador



NOTA: Las aspas de tu ventilador son reversibles. Elige el acabado del aspa que mejor resalte tu decoración.

- Fija el aspa (F) a su soporte (G) con los tornillos (AA) provistos. Observa que las arandelas de goma están fijadas en el soporte del aspa (G). Inserta el tornillo en el soporte del aspa (G). Repite para los otros dos tornillos (AA) restantes.
- Aprieta firmemente todos los tornillos.
- Ajusta el ensamblaje del aspa al motor insertando los postes de alineación dentro de la ranura de la parte inferior del motor y aprieta los tornillos del motor. Ten en cuenta que los tornillos del motor están preinstalados en el brazo del aspa.
- Repite los pasos 1-3 para las aspas restantes.



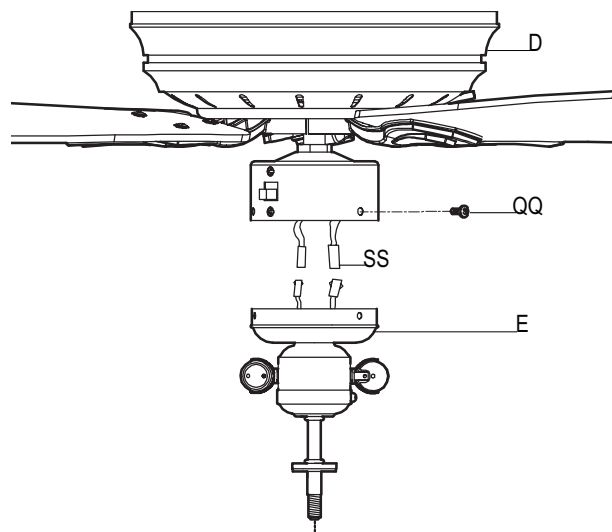
Ensamblaje – Cómo Instalar el Kit de Luces

6 Cómo instalar el kit de luces



PRECAUCIÓN: Para disminuir el riesgo de descarga eléctrica, desconecta el circuito de energía del ventilador antes de instalar el kit de luces.

- ❑ Quita los tres tornillos (QQ) de la ensamble del soporte del kit de luces, debajo del ensamble del motor del ventilador (D).
- ❑ Conecta los cables que salen de la parte inferior del ensamble del motor (D), uniendo los enchufes con adaptadores moldeados (SS) (negro con negro y blanco con blanco).
- ❑ Desliza el kit de luces con caja de interruptor (E) y asegúralo a la carcasa del interruptor usando los tres tornillos (QQ) que se quitaron en el paso 1.



7 Cómo instalar las bombillas y colocar el tazón de vidrio

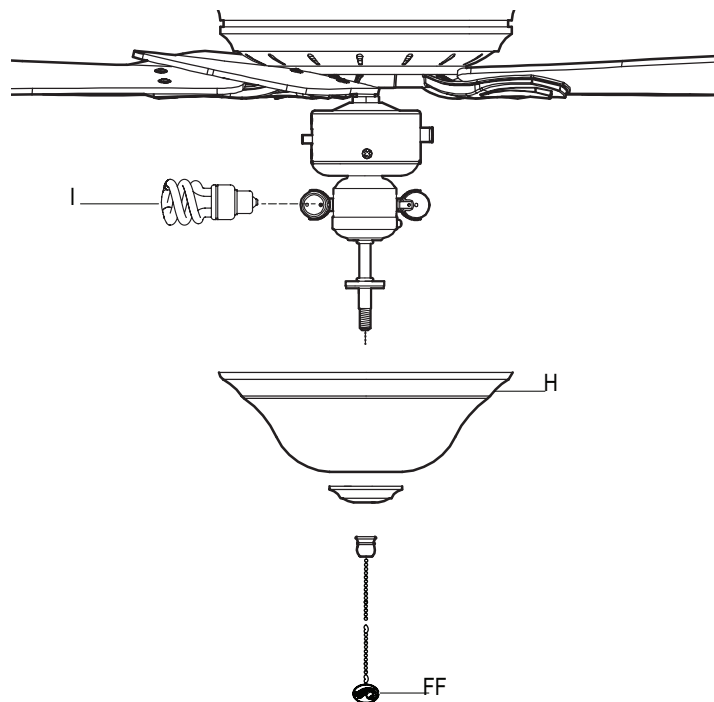


PRECAUCIÓN: Asegúrate de que la corriente esté cortada antes de montar o retirar el tazón de vidrio.



ADVERTENCIA: Espera que el tazón de vidrio se enfríe completamente antes de retirarlo.

- ❑ Retira el remate del ensamble del kit de luces/caja del interruptor.
- ❑ Con la electricidad apagada, instala las dos bombillas (I) enroscándolas en los portabombillas. Coloca el tazón de vidrio (H) sobre la boquilla enroscada y pasa la cadena del interruptor del ventilador a través del orificio guía en el lado del ensamble del kit de luces/caja del interruptor para evitar que toque el tazón de vidrio (H).
- ❑ Reinstala el remate.
- ❑ Conecte la extensión de interruptor de cadena (FF)



PRECAUCIÓN: Colocar bombillas de vataje incorrecto hará que las luces del ventilador se apaguen hasta que se instale las bombillas adecuadas. Reinicia la lámpara apagando la electricidad, reemplaza las bombillas por otras de vataje correcto y enciende de nuevo la electricidad.

Funcionamiento

Enciende la electricidad y verifica el funcionamiento del ventilador.

El interruptor de cadena controla las velocidades del ventilador de la siguiente manera:

Halar 1 vez: Alto, halar 2 veces: Medio, halar 3 veces: Bajo y halar 4 veces: Apagado

Las configuraciones de velocidad apropiadas para clima cálido o frío dependen de factores como el tamaño de la habitación, la altura del techo y la cantidad de ventiladores.

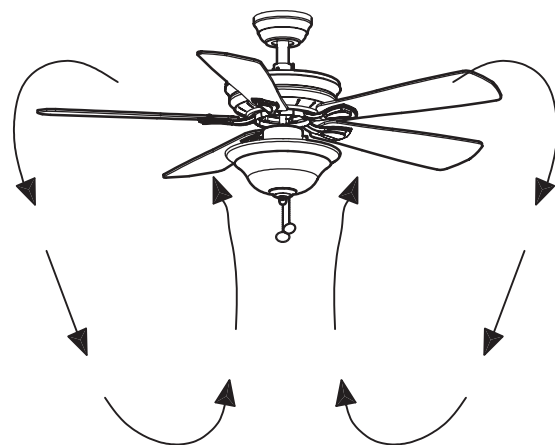
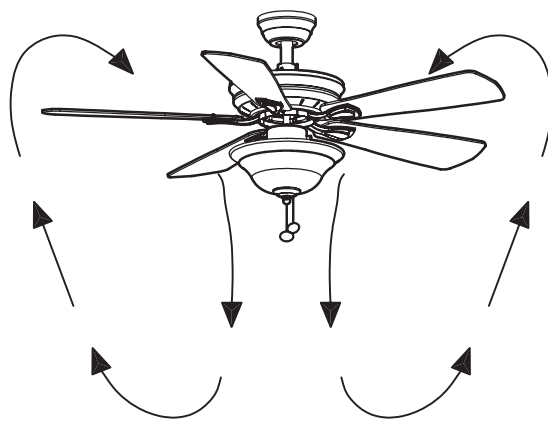
Los controles del interruptor deslizante cambian la dirección de las aspas: hacia delante (interruptor para abajo) o reversa (interruptor para arriba)



NOTA: Espera a que se detenga el ventilador antes de invertir la dirección de giro de las aspas.

Clima cálido - (Hacia adelante) Un flujo de aire descendente crea un efecto de enfriamiento. Esto te permite fijar tu aire acondicionado en una configuración más alta sin afectar tu comodidad.

Clima frío - (Reversa) Un flujo de aire hacia arriba mueve el aire cálido lejos del techo. Esto te permite configurar la unidad de calefacción más baja sin afectar tu comodidad.



Mantenimiento y Limpieza



ADVERTENCIA: Asegúrate de que la corriente esté apagada antes de limpiar el ventilador.

- Debido al movimiento natural del ventilador, algunas conexiones pueden aflojarse. Revisa las conexiones de soporte, soportes y accesorios de aspas dos veces al año. Verifica que estén seguros. No es necesario desmontar el ventilador del techo.
- Limpia tu ventilador con frecuencia, para que luzca como nuevo con el paso de los años. No uses agua al limpiar, esto puede dañar el motor o la madera, o causar descargas eléctricas. Usa solamente un cepillo suave o un trapo sin pelusas para evitar arañar el acabado. El revestimiento está sellado con laca para minimizar la decoloración u opacidad.
- Puedes aplicar a la madera una fina capa de pulimento para muebles para una mayor protección y belleza. Cubre los arañazos pequeños con una leve aplicación de lustrador para calzado.
- No necesitas lubricar tu ventilador. El motor tiene cojinetes de bola sellados, permanentemente lubricados.

Solución de problemas

Problema	Solución
El ventilador no enciende.	<ul style="list-style-type: none"><input type="checkbox"/> Verifica los fusibles o disyuntores principales y secundarios.<input type="checkbox"/> Verifica las conexiones de cables en línea al ventilador y conexiones de cables del interruptor en la caja de interruptores.
El ventilador hace ruido.	<ul style="list-style-type: none"><input type="checkbox"/> Asegúrate de que los tornillos de la carcasa del motor estén ajustados.<input type="checkbox"/> Asegúrate de que los tornillos que unen el soporte del aspa al cuerpo del motor están bien ajustados.<input type="checkbox"/> Asegúrate de que las conexiones de tuerca de cable no choquen unas con otras o con la pared interior de la caja del interruptor.<input type="checkbox"/> Permite un período de 24 horas de “adaptación”. La mayoría de los ruidos asociados con un nuevo ventilador desaparecen en ese período.<input type="checkbox"/> Si usas el kit de Luces de Ventilador de Techo, asegúrate de que los tornillos que sujetan el vidrio estén bien colocados. Verifica que las bombillas estén bien aseguradas.<input type="checkbox"/> Asegúrate de que la cubierta esté a una corta distancia del techo. No debería tocar el techo.<input type="checkbox"/> Asegúrate de que tu caja eléctrica esté bien segura y las almohadillas aislantes de goma se hayan instalado entre la placa de montaje y la caja eléctrica.
El ventilador oscila.	<ul style="list-style-type: none"><input type="checkbox"/> Verifica que todas las aspas y tornillos de los brazos de aspas estén seguros.<input type="checkbox"/> La mayoría de los problemas de oscilación del ventilador se deben a que las aspas no están a un mismo nivel. Verifica este nivel seleccionando un punto en el techo sobre la punta de una de las aspas. Mide desde un punto en el centro de cada aspa al punto en el techo. Mide esta distancia. Gira el ventilador hasta que la próxima aspa quede posicionada para medir. Repite para cada aspa. Las desviaciones de la medición deben estar dentro de un rango de 0.3 cm. Enciende el ventilador durante diez minutos. Si el ventilador continúa oscilando, comunícate con el servicio al cliente y te enviarán un kit de compensación de aspas, sin costo alguno.



¿Preguntas, problemas o piezas faltantes? Antes de regresar a la tienda,
llama al Servicio al Cliente de Hampton Bay
de Lunes a Viernes entre 8 a.m. y 6 p.m., (hora del Este de EE. UU.)

1-877-527-0313

HAMPTONBAY.COM

Conserva este manual para uso en el futuro.