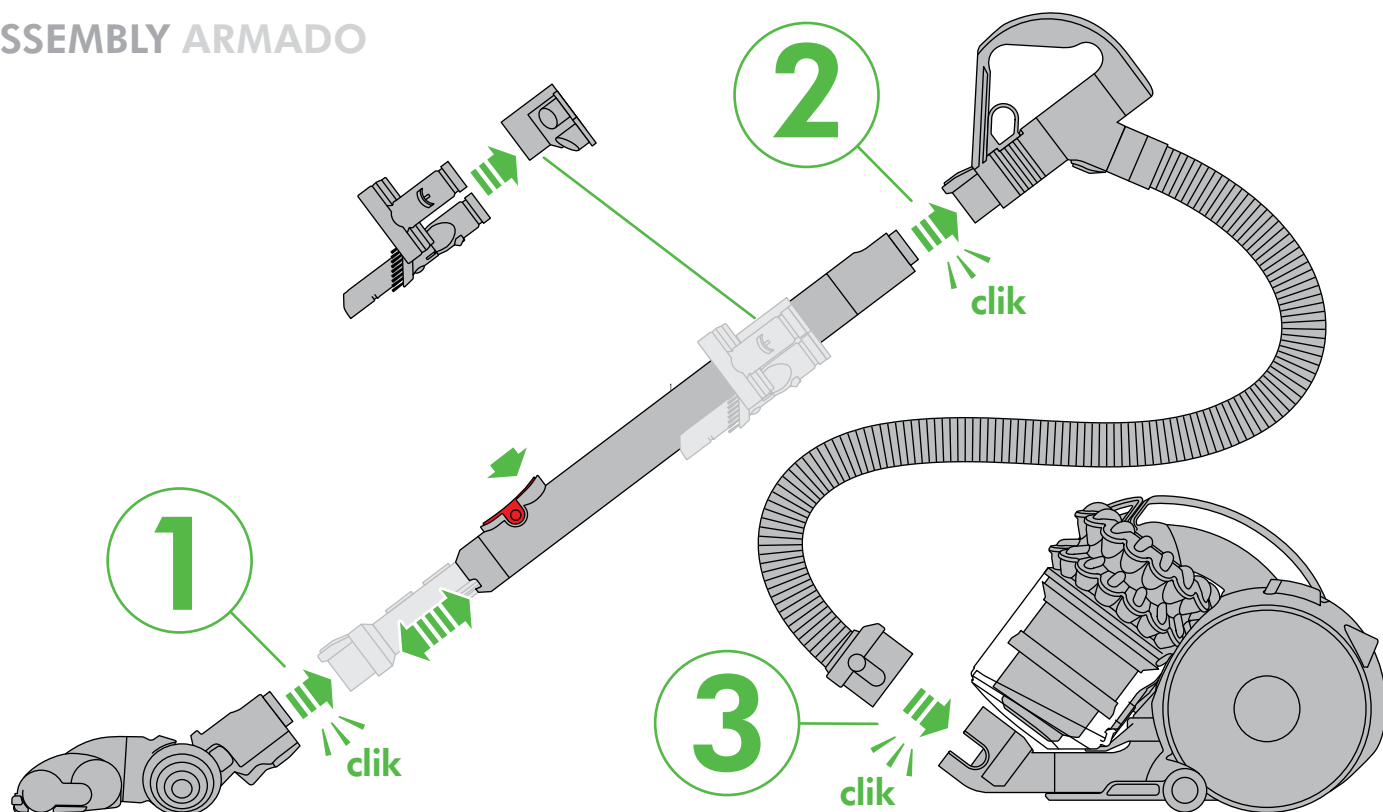


ASSEMBLY ARMADO



WASH FILTERS

Wash filters with cold water at least every month.

LAVADO DE LOS FILTROS

Lave los filtros con agua fría al menos cada mes.



REGISTER TODAY

3 easy ways to register your 5 year warranty.

REGISTRE HOY

3 maneras fáciles de registrarse sus 5 años de garantía.



IMPORTANT SAFETY INSTRUCTIONS

BEFORE USING THIS MACHINE READ ALL INSTRUCTIONS AND CAUTIONARY MARKINGS IN THIS MANUAL AND ON THE MACHINE

When using an electrical appliance, basic precautions should always be followed, including the following:

WARNING

TO REDUCE THE RISK OF FIRE, ELECTRIC SHOCK, OR INJURY:

1. This Dyson machine is not intended for use by young children or infirm persons with reduced physical, sensory or reasoning capabilities, or lack of experience and knowledge, unless they have been given supervision or instruction by a responsible person concerning use of the machine to ensure that they can use it safely.
2. Do not allow to be used as a toy. Close attention is necessary when used by or near children. Children should be supervised to ensure that they do not play with the machine.
3. Use only as described in this Dyson Operating Manual. Do not carry out any maintenance other than that shown in this manual, or advised by the Dyson Helpline.
4. Suitable for dry locations only. Do not use outdoors or on wet surfaces.
5. Do not use to pick up water.
6. Do not handle any part of the plug or machine with wet hands.
7. Do not use with a damaged cord or plug. If the supply cord is damaged it must be replaced by Dyson, its service agent or similarly qualified persons in order to avoid a hazard.
8. If the machine is not working as it should, has received a sharp blow, has been dropped, damaged, left outdoors, or dropped into water, do not use and contact the Dyson Helpline.
9. Contact the Dyson Helpline when service or repair is required. Do not disassemble the machine as incorrect reassembly may result in an electric shock or fire.
10. Do not stretch the cord or place the cord under strain. Keep the cord away from heated surfaces. Do not close a door on the cord, or pull the cord around sharp edges or corners. Arrange the cord away from traffic areas and where it will not be stepped on or tripped over. Do not run the machine over the cord.
11. Do not unplug by pulling on the cord. To unplug, grasp the plug, not the cord. The use of an extension cord is not recommended.
12. Do not use to pick up flammable or combustible liquids, such as gasoline, or use in areas where they or their vapors may be present.
13. Do not pick up anything that is burning or smoking, such as cigarettes, matches, or hot ashes.
14. Keep hair, loose clothing, fingers, and all parts of the body away from openings and moving parts. Do not point the hose, wand or tools at your eyes or ears or put them in your mouth.
15. Do not put any object into openings. Do not use with any opening blocked; keep free of dust, lint, hair, and anything that may reduce airflow.
16. Use only Dyson recommended accessories and replacement parts.
17. To avoid a tripping hazard rewind the cord when not in use.
18. Do not use without the clear bin and filter in place.
19. Do not leave the machine when plugged in. Unplug when not in use and before servicing.
20. Do not pull or carry by cord or use cord as a handle.
21. Use extra care when cleaning on stairs. Do not work with the machine above you on the stairs.
22. Turn off all controls before unplugging. Unplug before connecting any tool or accessory.
23. Always extend the cord to the red line but do not stretch or tug the cord.
24. Hold the plug when rewinding onto cord reel. Do not allow the plug to whip when rewinding.

READ AND SAVE THESE INSTRUCTIONS

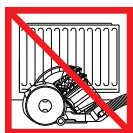
THIS DYSON APPLIANCE IS INTENDED FOR HOUSEHOLD USE ONLY

POLARIZATION INSTRUCTIONS

To reduce the risk of electric shock, this Dyson machine has a polarized plug (one blade is wider than the other). This plug will fit in a polarized outlet only one way. If the plug does not fit fully in the outlet, reverse the plug. If it still does not fit, contact a qualified electrician to install the proper outlet. Do not attempt to defeat this safety feature and do not change the plug in any way.



Do not pull on the cord.



Do not store near heat sources.



Do not use near open flames.



Do not run over the cord.



Do not pick up water or liquids.



Do not pick up burning objects.



Do not use above you on the stairs.



Do not put hands near the brush bar when the machine is in use.

INSTRUCCIONES DE SEGURIDAD IMPORTANTES

ANTES DE UTILIZAR ESTA MÁQUINA, LEA TODAS LAS INSTRUCCIONES Y LA INDICACIONES DE PRECAUCIÓN QUE VIENEN TANTO EN ESTE MANUAL COMO EN LA MÁQUINA

Cuando se usa un aparato eléctrico, deben seguirse las precauciones básicas para reducir riesgos de incendio, descarga eléctrica y lesiones personales, que incluyen lo siguiente:

PELIGRO

PARA DISMINUIR EL RIESGO DE PROVOCAR UN INCENDIO, RECIBIR UNA DESCARGA ELÉCTRICA O LESIONES:

1. Esta máquina Dyson no fue diseñada para que ser utilizada por niños o personas débiles con capacidades físicas, sensoriales o mentales reducidas, o que carezcan de conocimiento y experiencia al respecto, a menos que sean supervisadas o hayan recibido instrucciones por parte de una persona responsable.
2. No permita que se utilice como un juguete. Es necesaria la atención de un adulto cuando es utilizada por o cerca a un niño. Los niños deben ser supervisados para asegurarse de que no jueguen con la máquina.
3. Utilícela solamente como se describe en este manual de funcionamiento Dyson. No realice ningún otro mantenimiento que no sea el mostrado en este manual, o el recomendado por la línea de ayuda de servicio al cliente Dyson.
4. Adecuada solamente para lugares secos. No utilice para aspirar agua u otros líquidos.
5. No utilice para aspirar agua u otros líquidos.
6. No manipule el enchufe o de la máquina con las manos mojadas.
7. No lo use si el cable o el enchufe están dañados. Si se ha dañado el cable de corriente, deberá ser reemplazado por Dyson, uno de sus representantes de servicio u otra persona igualmente capacitada a fin de evitar un peligro.
8. Si la máquina no funciona como es debido, ha recibido un golpe fuerte o se ha caído, dañado, dejado a la intemperie, o sumergido en agua, no lo utilice y comuníquese con la línea de ayuda de servicio al cliente Dyson.
9. Comuníquese con la línea de ayuda de servicio al cliente Dyson cuando se requiera mantenimiento o reparación. No desmonte la máquina, ya que un montaje incorrecto puede provocar descargas eléctricas o incendios.
10. No estire el cable ni lo someta a tensión. Mantenga el cable alejado de superficies calientes. No atrape el cable al cerrar puertas, ni jale el cable sobre bordes o esquinas filosas. Coloque el cable alejado de áreas de tráfico intenso, en un lugar donde nadie pueda pisar o tropezar con el cable. No pise el cable con la máquina.
11. No desconecte la máquina tirando del cable. Para desconectar, tome el enchufe y no el cable. No es recomendable utilizar una extensión de cable.
12. No aspire líquidos inflamables o combustibles como gasolina, ni la utilice en áreas donde pueda haber este tipo de líquido.
13. No aspire nada que se esté quemando o que emita humo, como cigarrillos, fósforos o cenizas calientes.
14. Mantenga el cabello, ropa suelta, los dedos y cualquier otra parte del cuerpo alejados de las aberturas y de las partes móviles. No apunte con la manguera, la empuñadura o los accesorios a los ojos u orejas, ni se los meta en la boca.
15. No obstruya las aberturas de la máquina con ningún objeto. No utilice la máquina si tiene alguna abertura obstruida; manténgalas libres de polvo, pelusas, cabellos o cualquier otra cosa que pueda reducir la circulación del aire.
16. Utilice solamente los accesorios y las piezas de repuesto recomendadas por Dyson.
17. Para evitar un peligro de tropiezo, enrolle el cable cuando no este en uso.
18. No utilice si el compartimento cubo transparente y el filtro no están colocados en su lugar.
19. No se aleje de la máquina si está conectado. Desconéctelo si no lo está usando y antes de darle servicio.
20. No utilice el cable para jalar o transportar la máquina, ni use el cable como si fuera una asa.
21. Tenga mucho cuidado cuando utilice la máquina sobre una escalera. No trabaje con la máquina por encima de usted en la escalera.
22. Apague todos los controles antes de desconectar. Desenchufe antes de conectar cualquier herramienta o accesorio.
23. Extienda siempre el cable hasta la línea roja pero no lo tensione ni lo jale.
24. Sostenga el enchufe cuando lo rebobine dentro del carrete del cable. No permita que el enchufe le pegue cuando lo este rebobinando.

LEA Y GUARDE ESTAS INSTRUCCIONES

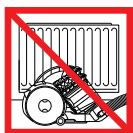
ESTA MÁQUINA DYSON ES PARA USO DOMÉSTICO SOLAMENTE

INSTRUCCIONES DE POLARIZACIÓN

Para disminuir el riesgo de choque eléctrico, esta máquina Dyson lleva un enchufe polarizado (una clavija es más ancha que la otra). Este enchufe se conecta a una toma de corriente polarizada de una sola forma. Si el enchufe no entra totalmente en la toma de corriente, dé la vuelta al enchufe. Si sigue sin entrar bien, póngase en contacto con un electricista calificado para instalar una toma de corriente correcta. No intente violar este dispositivo de seguridad, ni haga modificación alguna al enchufe.



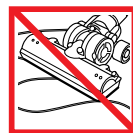
No tire del cable.



No guarde el aparato cerca de fuentes de calor.



No utilice el aparato cerca de una llama.



No pise el cable.



No aspire agua o líquidos.



No aspire objetos que se estén quemando.

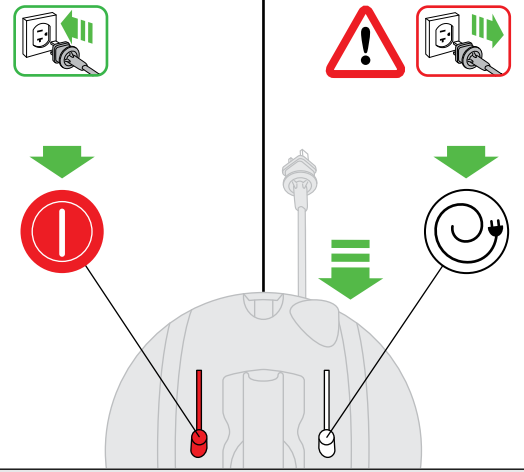


No coloque el aparato por encima suyo cuando esté en una escalera.

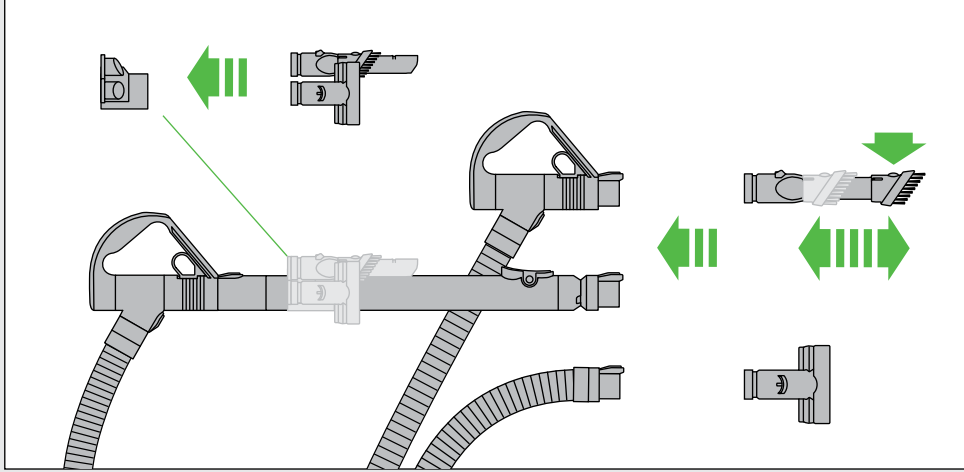


No ponga sus manos cerca del cepillo cuando esté utilizando la máquina.

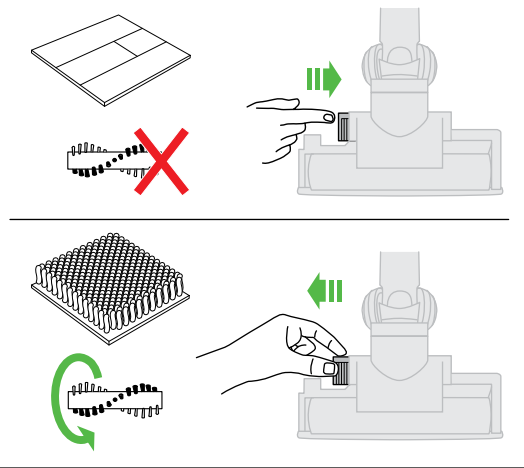
Power and cord • Energía y cable



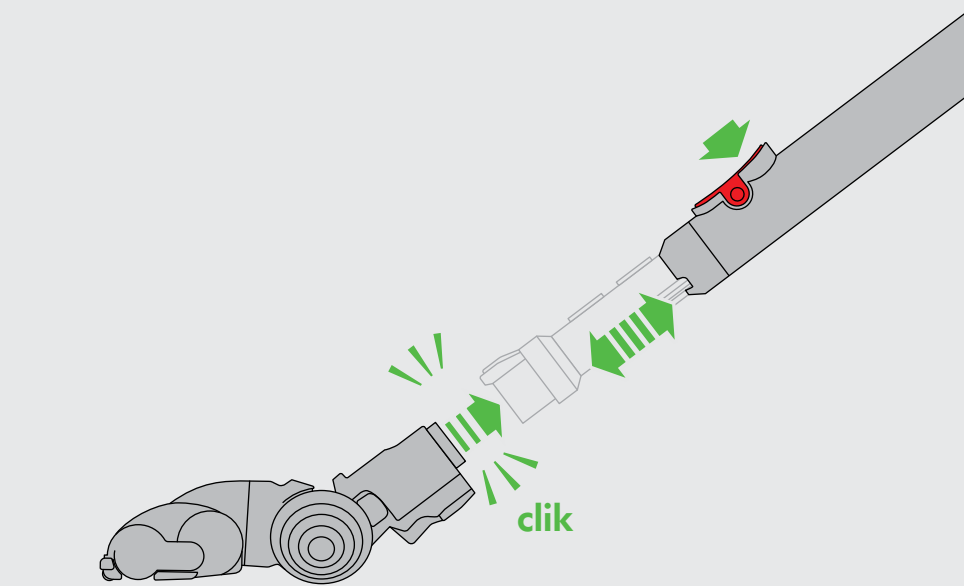
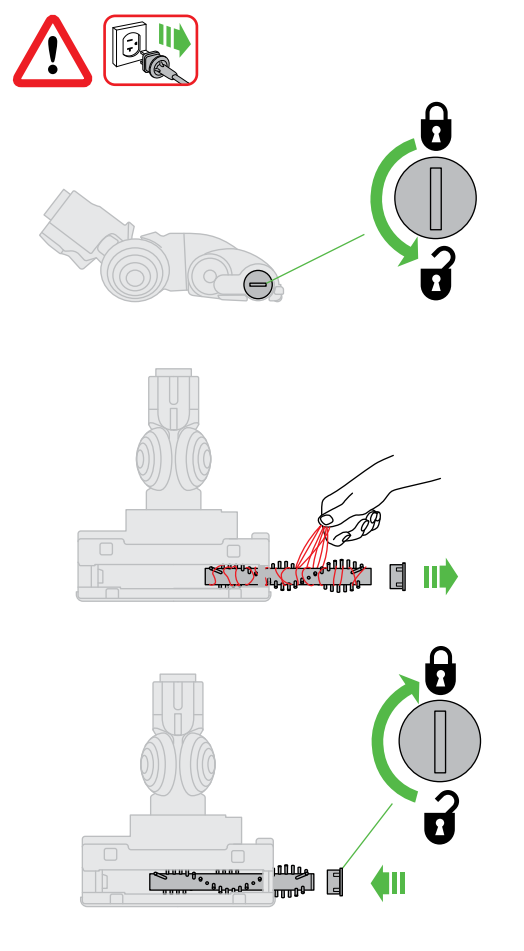
Tool attachments • Fijación de los accesorios



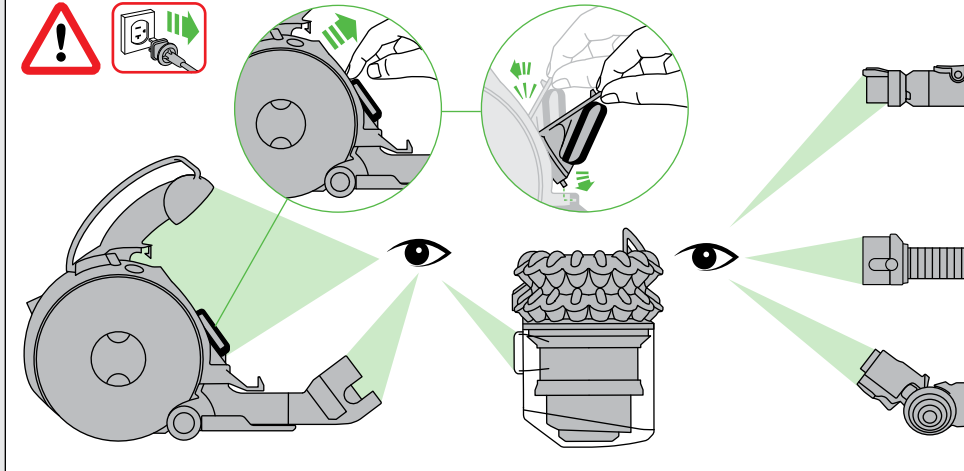
Carpets or hard floors • Alfombras o pisos



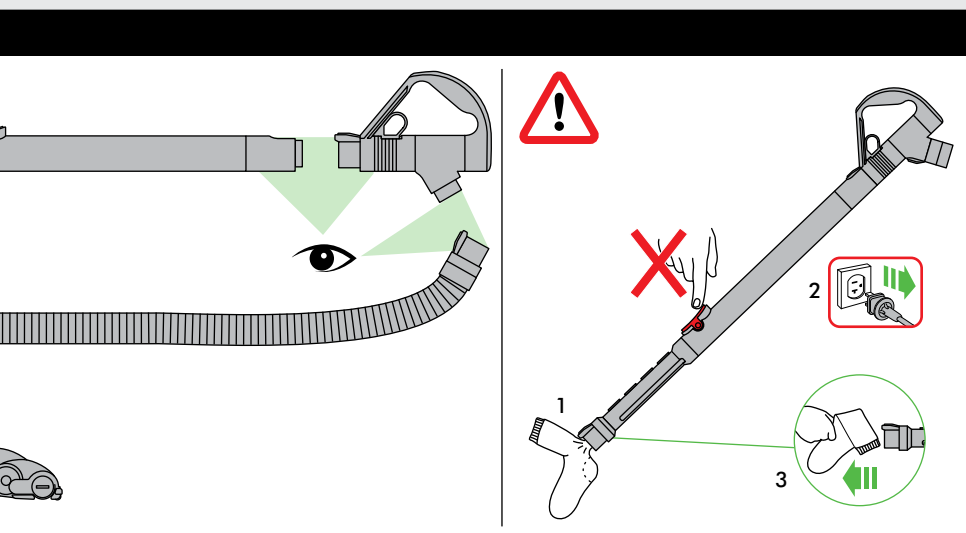
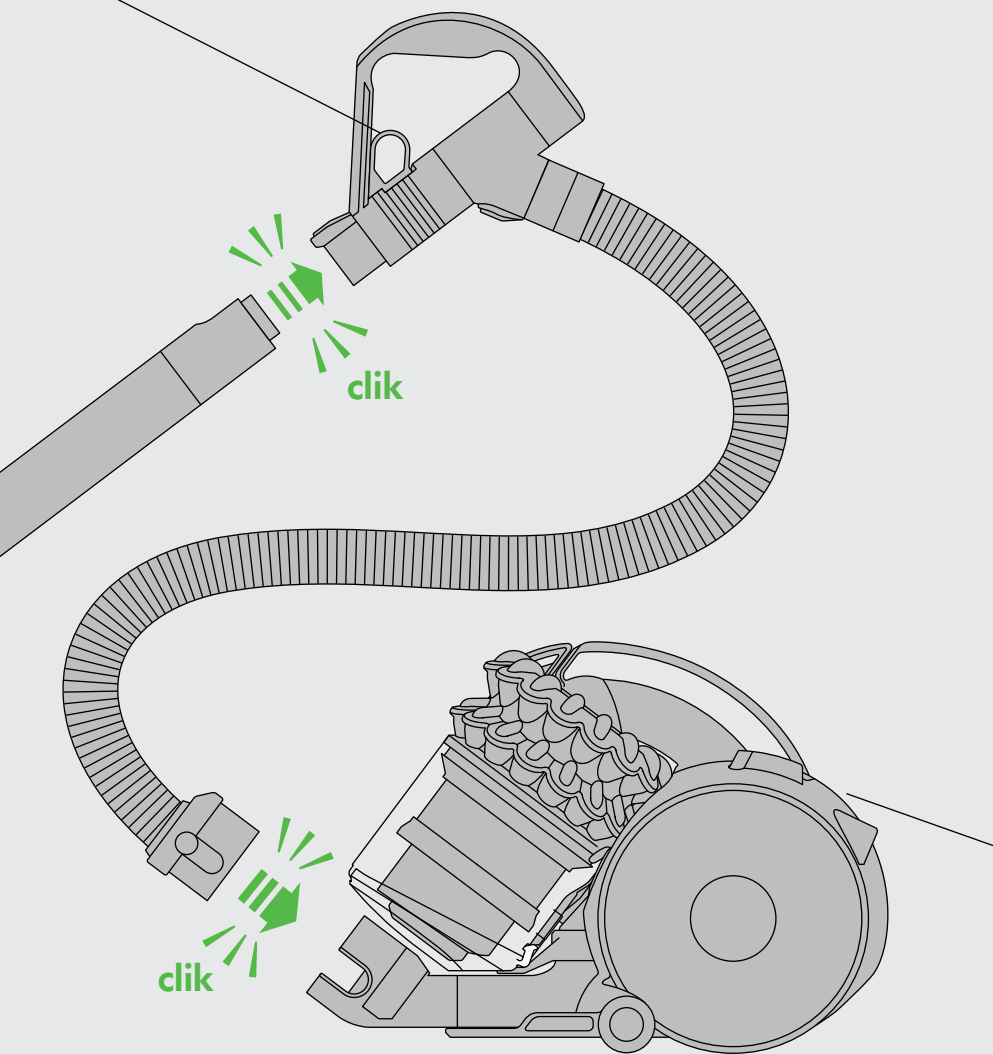
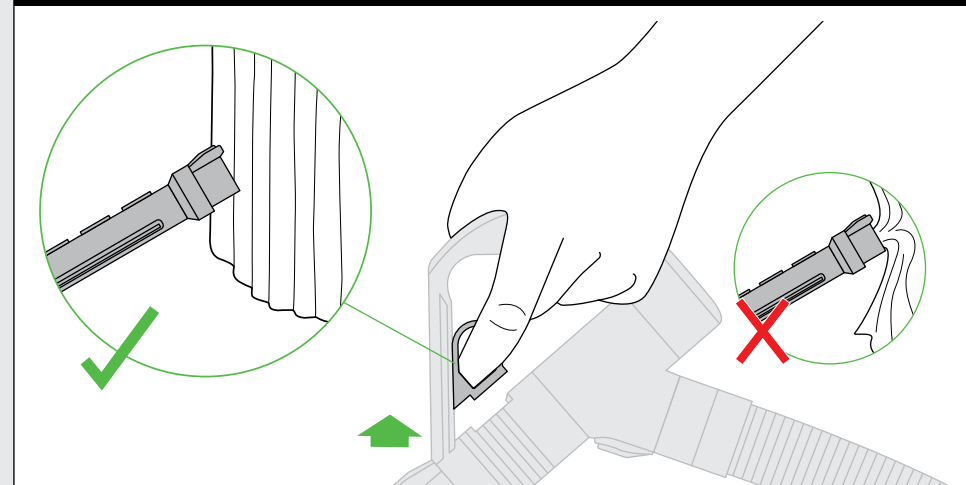
Clearing blockages • Para eliminar bloqueos



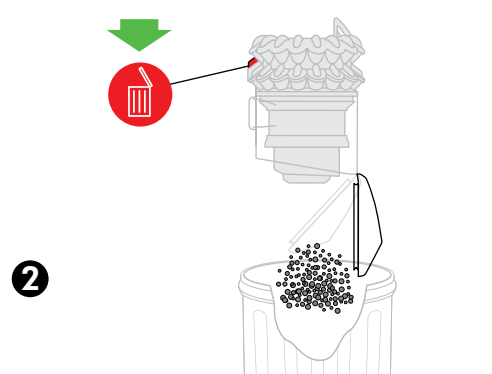
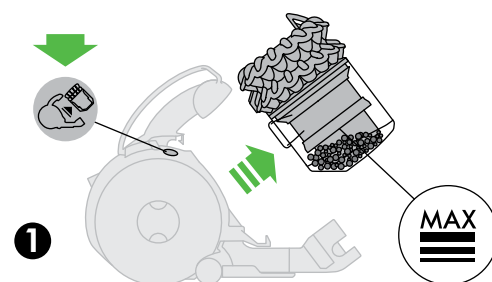
Looking for blockages • Cómo buscar obstrucciones



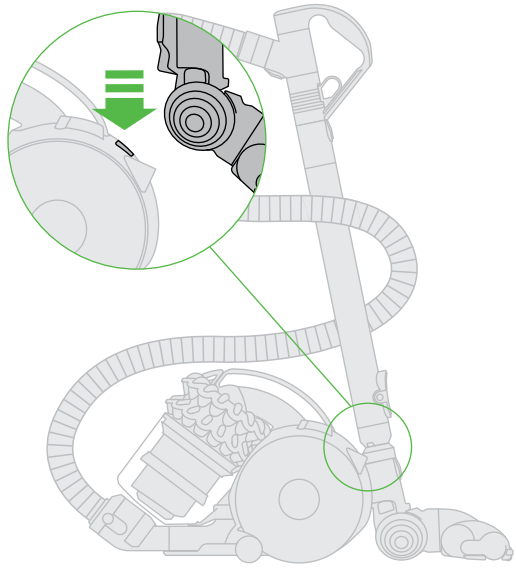
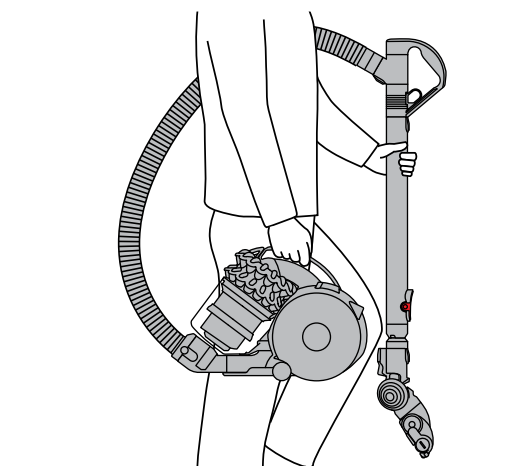
Succión release • Liberación de succión



Emptying • Vaciado del cubo



Carrying and storage • Traslado y almacenamiento



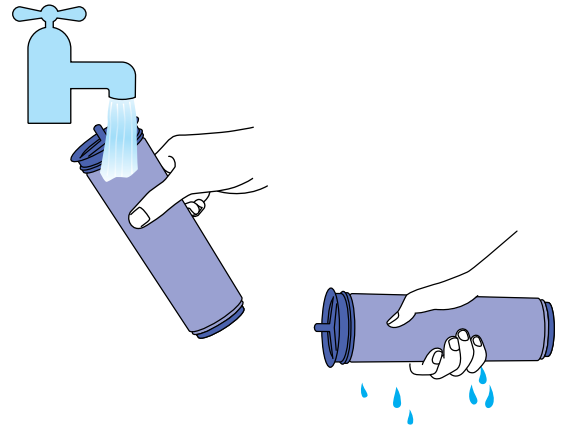
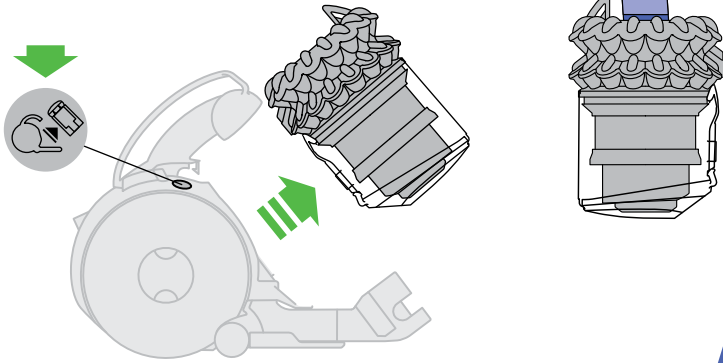
IMPORTANT!

WASH FILTERS

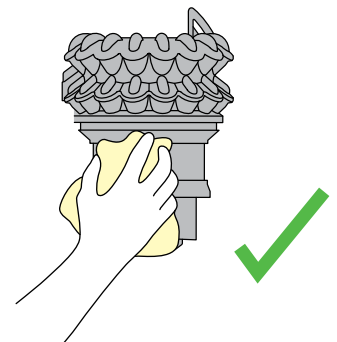
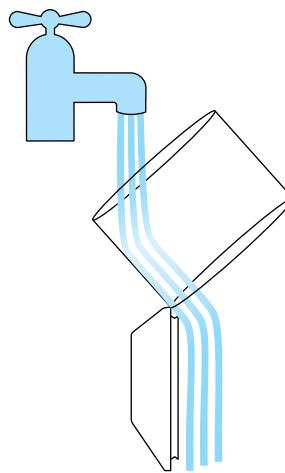
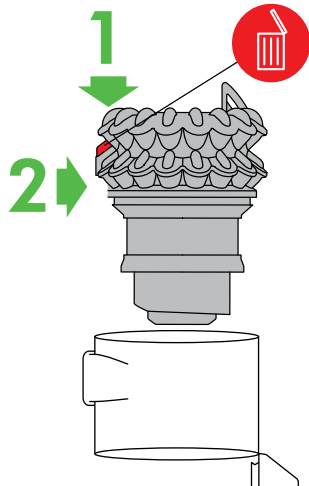
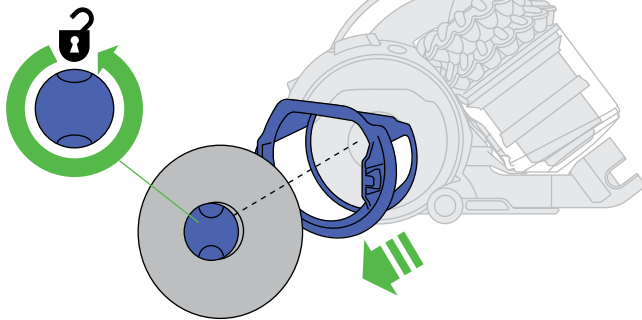
LAVADO DE LOS FILTROS

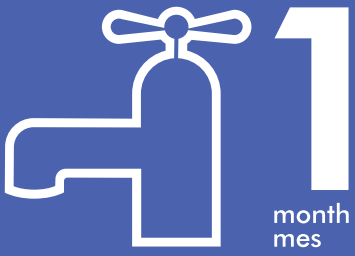


A



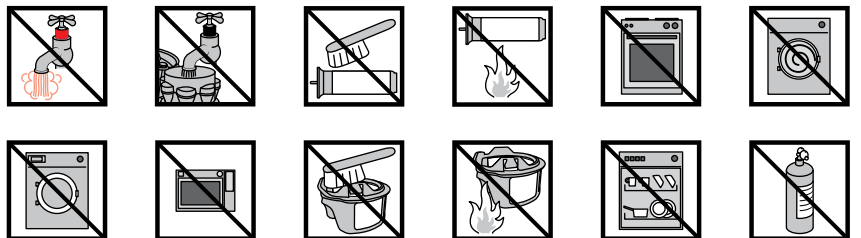
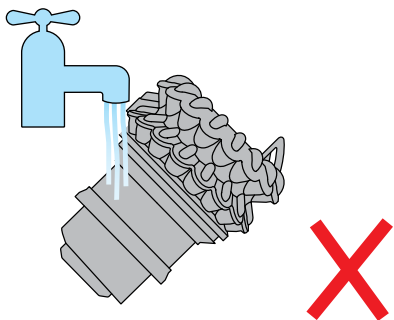
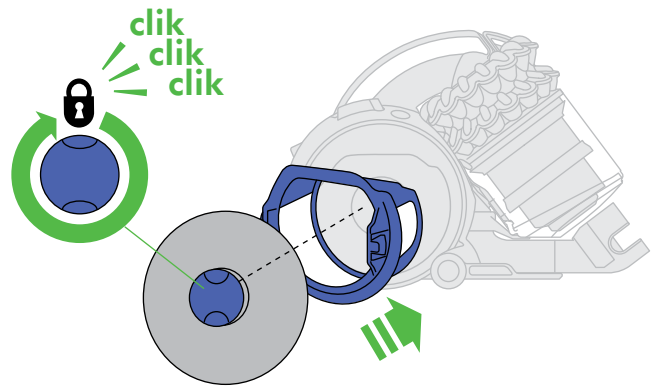
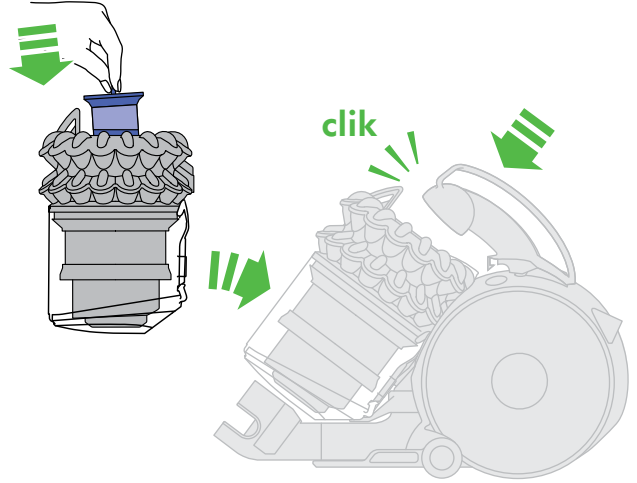
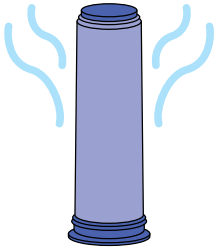
B





1
month
mes

Wash filters with cold water at least every month.
Lave los filtros con agua fría al menos cada mes.



USING YOUR DYSON MACHINE

PLEASE READ THE 'IMPORTANT SAFETY INSTRUCTIONS' IN THIS DYSON OPERATING MANUAL BEFORE PROCEEDING.

CARRYING THE MACHINE

- Carry the machine by the main handle on the body.
- Do not press the cyclone release button or shake the machine when carrying, or the cyclone could disengage, fall off and cause injury.

OPERATION

- Always extend the cord fully to the red tape before use.
- Plug the machine into the main electricity supply.
- To switch 'ON' or 'OFF' press the power button, located as shown.
- After use: unplug, retract the cord safely, put the machine away.
- Switch 'OFF' the machine and unplug before:
 - adjusting the setting
 - changing tools
 - removing the hose or airway inspection parts.
- Check to ensure your electricity supply corresponds to that shown on the rating plate, which can be found on the base of the machine. The machine must only be used as rated.
- To watch a short online video visit: www.dyson.com/dc47gettingstarted

BRUSH BAR

- The brush bar will always default to 'ON' (spinning) each time you switch the appliance 'ON'.
- To switch the brush bar 'OFF' (e.g for delicate flooring) press in the button on the cleaner head.
- To switch the brush bar 'ON', pull out the button on the cleaner head only enough so the brush bar engages.
- Brush bar control can be done only when the machine is 'ON'.
- The brush bar will automatically stop if it becomes obstructed. See 'Brush bar – clearing obstructions'.
- Before vacuuming your flooring, rugs and carpets, check the manufacturer's recommended cleaning instructions.
- Some carpets may fuzz if a rotating brush bar is used when vacuuming. If this happens, we recommend vacuuming in 'hard floor' mode and consulting with the flooring manufacturer.
- The brush bar on the machine may damage some carpet types. If you are unsure, turn off the brush bar.
- Take care if coming into contact with the carbon fiber brushes, as they may cause minor skin irritation. Wash your hands after handling the brushes.

LOOKING AFTER YOUR DYSON APPLIANCE

- Do not carry out any maintenance or repair work other than that shown in this Dyson Operating Manual, or advised by the Dyson Helpline.
- Only use parts recommended by Dyson. If you do not this could invalidate your guarantee.
- Store the machine indoors. Do not use or store it below 32°F. Ensure the machine is at room temperature before operating.
- Clean the machine only with a dry cloth. Do not use any lubricants, cleaning agents, polishes or air fresheners on any part of the machine.
- If used in a garage, always wipe the base plate and ball with a dry cloth after vacuuming to clean off any sand, dirt, or pebbles that could damage delicate floors.

VACUUMING



CAUTION:

- Do not use without the clear bin and filters in place.
- Fine dirt such as plaster dust or flour should only be vacuumed in very small amounts.
- Do not use the machine to pick up sharp hard objects, small toys, pins, paper clips, etc. They may damage the machine.
- When vacuuming, certain carpets may generate small static charges in the clear bin or wand. These are harmless and are not associated with the main electricity supply.
- To minimize any effect from this, do not put your hand or insert any object into the clear bin unless you have first emptied it and rinsed it out with cold water (see 'Cleaning the clear bin').
- Do not work with the machine above you on the stairs.
- Do not put the machine on chairs, tables, etc.
- Before vacuuming highly polished floors, such as wood or linoleum, first check that the underside of the floor tool and its brushes are free from foreign objects that could cause marking.
- Do not push hard with the floor tool when vacuuming, as this may cause damage.
- Do not leave the cleaner head in one place on delicate floors.
- On waxed floors the movement of the cleaner head may create an uneven luster. If this happens, wipe with a damp cloth, polish the area with wax, and wait for it to dry.
- Do not use this machine outdoors. The Dyson Car Cleaning Kit is intended for use only inside a garage.

EMPTYING THE CLEAR BIN

- Empty as soon as the dirt reaches the level of the MAX mark – do not overfill.
- Switch 'OFF' and unplug before emptying the clear bin.
- To remove the cyclone and clear bin unit, push the release button to the side of the carrying handle, as shown. The carrying handle will be released.
- Remove the cyclone and clear bin unit.
- To release the dirt, press the red bin release button.
- To minimize dust/allergen contact when emptying, encase the clear bin tightly in a plastic bag and empty.

- Remove the clear bin carefully.
- Seal the bag tightly, dispose as normal.
- Close the clear bin base so it clicks into place and is secure.
- Place the clear bin and cyclone unit into position on the front of the main body of the machine. The recess in the rim of the base of the clear bin must fit onto the support bracket.
- Push the carrying handle down so it clicks into place on the top of the clear bin and cyclone unit. Ensure it is secure.

CLEANING THE CLEAR BIN

- Remove cyclone and clear bin (instructions above).
- To separate the cyclone unit from the clear bin press the small silver button on the cyclone. Separate the cyclone from the clear bin.
- Clean the clear bin with cold water only.
- Do not use detergents, polishes or air fresheners to clean the clear bin.
- Do not put the clear bin in a dishwasher.
- Do not immerse the whole cyclone unit in water or pour water into it.
- Clean the cyclone shroud with a dry cloth or dry brush to remove lint and dust.
- Ensure the clear bin is completely dry before replacing.
- To replace, first close the clear bin base so it clicks into place and is secure.
- Fit the clear bin onto the cyclone. To secure it, first fit the slot on the front rim of the clear bin onto the tab on the front of the cyclone; then push the rear of the clear bin into place so the silver button engages and clicks into place.
- Fit the cyclone and clear bin unit onto the machine (instructions above).

WASHING YOUR FILTERS

- Your machine has two washable filters, located as shown.
- Check and wash the filters regularly according to instructions to maintain performance.
- Switch 'OFF' and unplug before checking or removing the filters.
- The filters may require more frequent washing if vacuuming fine dust.
- Wash with cold water only. Do not use detergents.
- Do not put the filters in a dishwasher, washing machine, tumble dryer, oven, microwave or near an open flame.
- Filter A
 - To access filter A, first remove the clear bin and cyclone unit (instructions above). Lift out the filter.
 - Wash the filter with cold water only. Do not use detergents. Hold under a tap and run water through the open end for 10 seconds. Turn upside down and tap out.
 - Squeeze and twist with both hands to make sure the excess water is removed.
 - Run water over the outside of the filter for 15 seconds.
 - Squeeze and twist with both hands to make sure the excess water is removed.
 - Stand the filter on its wide, open end to dry. Leave to dry completely for 24 hours.
 - Replace the filter into the cyclone. Fit the cyclone and clear bin unit onto the machine (instructions above).
- To remove filter B:
 - turn the central locking dial on the outer cover of the ball counter-clockwise until the cover is released
 - lift off the cover
 - to lift out the filter, place your fingers under the two raised tabs. Lift out the filter. Use a constant, firm pressure.
- Filter B should be rinsed in cold water only, inside and outside, and tapped out until the water runs clean, then tapped out again to ensure all excess water is removed. (Tap on the plastic rim, not the filter material.) Leave to dry completely for 24 hours.
- It is normal for the filter in the ball to turn grey in color.
- To refit filter B:
 - slide the filter back into the ball
 - push the filter in until the tabs engage – you will hear a click when they do.
- When refitting the outer cover of the ball, keep turning the central locking dial clockwise. When it starts to click it is locked.

IMPORTANT: After washing please leave the filter to dry completely, at least 24 hours, before refitting.

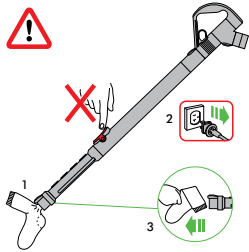
- To watch a short online video visit: www.dyson.com/dc47filterwash

THERMAL CUT-OUT

- This machine is fitted with an automatically resetting thermal cut-out.
- If any part becomes blocked the machine may overheat and automatically cut-out.
- If this happens, follow the instructions below in 'Looking for blockages'.

LOOKING FOR BLOCKAGES

- Large items may block the tools or wand inlet. If this happens, do not operate the wand release catch. Switch 'OFF' and unplug. Failure to do so could result in personal injury.
- Leave to cool down for 1-2 hours before checking the filters or for blockages.
- **BEWARE OF SHARP OBJECTS WHEN CHECKING FOR BLOCKAGES.**
- Refit all parts securely before using.
- To check for blockages in airway on the main body of the machine, first remove the cyclone and clear bin unit (see above).
- Inspect for blockages.
- To remove the transparent inlet section, use your finger to release the latch on the top as shown. Remove the inlet section.
- Clear any blockage before restarting.
- Clearing blockages is not covered by your warranty.



BRUSH BAR – CLEARING OBSTRUCTIONS

- If your brush bar is obstructed, it may shut 'OFF'. If this happens you will need to remove the brush bar as shown.
- Switch 'OFF' and unplug before proceeding. Failure to do so could result in personal injury.
- Remove the brush bar by using a coin to loosen the fastener marked with a padlock until it clicks.
- Beware of sharp objects when clearing obstructions.
- Replace the brush bar and secure it by tightening the fastener until it clicks. Ensure it is fixed firmly before operating.
- Take care if coming into contact with the carbon fiber brushes, as they may cause minor skin irritation. Wash your hands after handling the brushes.
- Clearing brush bar obstructions is not covered by your warranty.

BRUSH BAR – TROUBLESHOOTING

If the brush bar has stopped spinning, follow the instructions above on clearing obstructions. Alternatively, contact a Dyson expert on the Dyson Helpline or visit the website..

To watch a short online video visit: www.dyson.com/DC47brushbarmaintenance

WARRANTY

DYSON CUSTOMER CARE

THANK YOU FOR CHOOSING TO BUY A DYSON MACHINE

If you have a question about your Dyson machine, call the Dyson Helpline with your serial number and details of where and when you bought the machine. Most questions can be solved over the phone by one of our Dyson Helpline staff. If your Dyson machine needs service, call the Dyson Helpline so we can discuss the available options. If your Dyson machine is under warranty, and it is a covered repair, it will be repaired at no cost.

Your serial number can be found on your rating plate which is on the base of the machine.

PLEASE REGISTER AS A DYSON MACHINE OWNER

To help us ensure you receive prompt and efficient service, please register as a Dyson machine owner. There are three ways to do this:

- Online at www.dyson.com
 - Telephone the Dyson Helpline, 1-866-276-3886.
 - Complete the enclosed Warranty Form and post it to us.
- This will confirm ownership of your Dyson machine in the event of an insurance loss, and enable us to contact you if necessary.

5 YEAR WARRANTY TERMS AND CONDITIONS OF THE DYSON 5 YEAR LIMITED WARRANTY.

WHAT IS COVERED

Your Dyson machine is warranted against original defects in material and workmanship for a period of 5 years from the date of purchase, when used for private household purposes in accordance with the Dyson Operating Manual. This warranty provides, at no extra cost to you, all labor and parts necessary to ensure your machine is in proper operating condition during the warranty period. This limited warranty is subject to the following terms:

WHAT IS NOT COVERED

Dyson, Inc. shall not be liable for costs, damages or repairs incurred as a result of:

- Machines purchased from an unauthorized dealer.
- Careless operation or handling, misuse, abuse and/or lack of maintenance or use not in accordance with the Dyson Operating Manual.
- Use of the machine other than for normal domestic purposes within the United States, e.g. for commercial or rental purposes.
- Use of parts not in accordance with the Dyson Operating Manual.
- Use of parts and accessories other than those produced or recommended by Dyson, Inc.
- External sources such as weather.
- Repairs or alterations carried out by unauthorized parties or agents.
- Clearing blockages from your machine.
- Normal wear and tear, including normal wearing parts, such as clear bin, belt, filter, brush bar, hose assembly and power cord (or where external damage or abuse is diagnosed), carpet or floor damage due to use not in accordance with manufacturer's instructions or failure to turn the brush bar off when necessary.

WARRANTY SERVICE

- Please fill out and return the Warranty Form, or register online at www.dyson.com
- Before service can take place, the terms of the limited warranty require that you contact the Dyson Helpline with your model name/number, serial number, date and place of purchase.
- Please keep your purchase receipt in a safe place to ensure you have this information.
- All work will be carried out by Dyson, Inc. or its authorized agents.
- Any replaced defective parts will become the property of Dyson, Inc.
- Service under this warranty will not extend the period of this warranty.
- If your machine is not functioning properly, please call the Dyson Helpline. Most issues can be rectified over the telephone by our trained Customer Care staff. If this is not possible Dyson, Inc. will arrange for your machine to be repaired and returned in full working order at no extra cost to yourself.

WARRANTY LIMITATION AND EXCLUSIONS

- Any implied warranties relating to your machine including but not limited to warranty of merchantability or warranty of fitness for a particular purpose, are limited to the duration of this warranty. This limitation is not allowed by some States and so this limitation may not apply to you.
- Your remedy for breach of this warranty is limited to the warranty service described above. Dyson, Inc. will not be liable for any consequential damages or incidental damages you may incur in connection with your purchase and use of your machine. This limitation is not allowed by some States and so this limitation may not apply to you.
- This limited warranty gives you specific legal rights. You may also have other rights which vary by State.
- This limited warranty is not transferable.

IMPORTANT DATA PROTECTION INFORMATION

Your details will be held by Dyson, Inc. or others on behalf of Dyson, Inc. so that we can assist you more quickly in our Customer Service department. From time to time, Dyson, Inc. may send you special offers and news of our latest innovations. Check the box on the Warranty Form within the Dyson Operating Manual if you do not wish to receive marketing or promotional information from Dyson, Inc. For more information about our data collection practices, please refer to the Dyson, Inc. privacy policy at www.dyson.com/privacy

DISPOSAL INFORMATION

Dyson products are made from high grade recyclable materials and so should not be treated as household waste. To protect the environment please dispose of this product responsibly and recycle where possible.

PRODUCT INFORMATION

Please note: Small details may vary from those shown.

USO DE SU MÁQUINA DYSON

ANTES DE CONTINUAR, SÍRVASE LEER LAS "INSTRUCCIONES DE SEGURIDAD IMPORTANTES" DE ESTE MANUAL DE FUNCIONAMIENTO DYSON.

PARA TRASLADAR LA MÁQUINA

- Traslade la máquina tomándolo por la manija principal ubicada en el cuerpo.
- No presione el botón de liberación del extractor de polvo ni agite la máquina al trasladarlo, ya que el extractor de polvo se puede desacoplar, desprender y ocasionar una lesión.

FUNCIONAMIENTO

- Siempre extienda completamente el cable hasta la cinta de color rojo antes de utilizar la máquina.
- Conecte la máquina al suministro de corriente eléctrica.
- Para encender o apagar la máquina, presione el botón de encendido, localizado en el lugar que se ilustra.
- Luego de utilizarlo: desconecte la máquina, enrolle el cable de manera segura, guarde la máquina.
- Apague y desenchufe la máquina antes de:
 - ajustar la configuración
 - usar accesorios
 - quitar la manguera o las piezas para inspeccionar el paso del aire.
- Compruebe que la corriente eléctrica se corresponda con la que figura en la placa de calificación, la cual se encuentra en la base de la máquina. La máquina sólo debe utilizarse conforme a las características técnicas.
- Para ver un breve vídeo en línea, visite: www.dyson.com/dc47gettingstarted

CEPILLO

- El cepillo está siempre activo (girando) en modo predeterminado, cada vez que usted enciende la máquina.
- Para desactivar el cepillo (p. ej. para pisos delicados) oprima el botón en el cabezal de la aspiradora.
- Para activar el cepillo, extraiga el botón en el cabezal de la aspiradora lo suficiente para que se conecte el cepillo.
- Solamente se puede controlar el cepillo cuando el aparato está encendido.
- El cepillo deja de funcionar automáticamente si se produce una obstrucción. Consulte "Cepillo: para eliminar obstrucciones".
- Antes de aspirar sus pisos, tapetes y alfombras, consulte las instrucciones de limpieza que recomienda el fabricante.
- Algunas alfombras pueden soltar pelusa si se emplea un cepillo giratorio al aspirar. Si esto ocurre, recomendamos que aspire en el modo de "piso expuesto" y consulte al fabricante del piso.
- El cepillo de esta máquina puede dañar ciertos tipos de alfombras. Si desconfía, desactive el cepillo.
- Tenga cuidado si entra en contacto con los cepillos de fibra de carbón ya que pueden causar irritaciones leves en la piel. Lávese las manos después de manipular los cepillos.

CÓMO CUIDAR SU MÁQUINA DYSON

- No efectúe ningún mantenimiento o reparación distintos a los que se ilustran en este Manual de Funcionamiento Dyson, o que se le sugiera en la línea de ayuda de Dyson.
- Utilice únicamente las piezas que recomienda Dyson. De no hacerlo podría anular su garantía.
- Almacene la máquina en un espacio cerrado. No lo utilice si la temperatura es menor de 32° F. Compruebe que la máquina está a temperatura ambiente antes de ponerlo en funcionamiento.
- Limpie la máquina únicamente con un paño seco. No utilice ningún lubricante, agente de limpieza, pulidor o aromatizador en ninguna parte de la máquina.
- Si se utiliza en una cochera, limpie siempre la placa base y la esfera giratoria con un paño seco luego de aspirar para limpiar arena, residuos o grava que puedan dañar pisos delicados.

PARA ASPIRAR



PRECAUCIONES

- No lo utilice si el compartimiento cubo transparente y los filtros no están colocados en su lugar.
- Sólo deben aspirarse cantidades pequeñas de polvo fino como por ejemplo residuos de yeso o harina.
- No utilice la máquina para recoger objetos duros cortantes, juguetes pequeños, alfileres, sujetapapeles, etc., ya que podrían dañar la máquina.
- Al aspirar, algunas alfombras se pueden generar pequeñas descargas de estática en el cubo transparente o en el tubo. Éstas son totalmente inofensivas y no están asociadas al suministro de corriente eléctrica.
- Para minimizar sus efectos, no coloque su mano ni introduzca ningún objeto en el cubo transparente, a menos que primero lo haya vaciado y lavado con agua fría.
- No trabaje si la máquina está arriba de usted en las escaleras.
- No suba la máquina a sillas, mesas, etc.
- Antes de aspirar pisos con alto grado de pulido, como los de madera o linóleo, verifique primero que el lado inferior del accesorio para pisos y sus cepillos no tienen objetos extraños que puedan producir marcas.
- No empuje con firmeza la herramienta de piso al aspirar, ya que esto puede ocasionar daños.
- No deje el cabezal de la máquina en un solo lugar si está sobre pisos delicados.
- En los pisos encerados, el movimiento de la máquina puede generar un lustre disperejo. Si esto sucede, limpie con un paño húmedo, pula el área con cera, y aguarde hasta que se seque.
- No utilice esta máquina a la intemperie. El Kit de limpieza para el coche Dyson sólo se puede utilizar dentro de una cochera.

CÓMO VACIAR EL CUBO TRANSPARENTE

- Vacíe el compartimiento cuando la basura llegue al nivel máximo. Evite sobrecargarlo.
- Apague y desconecte el aparato antes de vaciar el cubo transparente.
- Para quitar el extractor de polvo y el compartimiento cubo transparente, presione el botón de liberación situado al costado de la manija de traslado, tal como se muestra. Se liberará la manija del extractor de polvo.
- Retire la unidad de compartimiento cubo transparente y extractor de polvo.
- Para descargar la suciedad, presione el botón rojo de liberación del compartimiento cubo.
- Para minimizar el contacto con polvo/alérgenos al efectuar el vaciado, introduzca el cubo transparente en una bolsa de plástico y vacíe el contenido.
- Extraiga con cuidado el cubo transparente.
- Selle perfectamente la bolsa, elimínela como acostumbra hacerlo.
- Cierre la base del compartimiento cubo transparente de manera que se traben en su sitio y quede asegurada.
- Coloque la unidad de compartimiento cubo transparente y extractor de polvo en posición correcta en la parte frontal del cuerpo principal del aparato. La hendidura del aro de la base del compartimiento cubo transparente se debe ajustar sobre el soporte de colocación.
- Empuje hacia abajo la manija del extractor de polvo hasta que traben en su lugar en la parte superior de la unidad de compartimiento cubo transparente y extractor de polvo. Cerciórese de que esté asegurada.

CÓMO LIMPIAR EL CUBO TRANSPARENTE

- Quite el extractor de polvo y el cubo transparente (conforme a las instrucciones que anteceden).
- Para separar la unidad del extractor de polvo del compartimiento cubo transparente, oprima el pequeño botón plateado del extractor de polvo. Separe el extractor de polvo del compartimiento cubo transparente.
- Lave el compartimiento cubo transparente únicamente con agua fría.
- No utilice detergente, líquido para encerrar ni desodorante de ambientes para limpiar el compartimiento.
- No limpie el compartimiento en un lavavajillas.
- No sumerja totalmente el extractor de polvo en agua ni ponga agua dentro de éste.
- Limpie la rejilla con un paño seco o un cepillo seco para eliminar la pelusa y el polvo.
- Asegúrese de que el compartimiento esté totalmente seco antes de colocarlo.
- Para volver a colocar, cierre primero la base del compartimiento cubo transparente de modo que se traben en su lugar y quede asegurada.
- Ajuste el compartimiento cubo transparente en el extractor de polvo. Para fijarlo, primero encaje la ranura del aro frontal del compartimiento cubo transparente en la lengüeta de la parte frontal del extractor de polvo; luego empuje la parte trasera del compartimiento cubo transparente en su sitio, de modo que el botón plateado se conecte y encaje correctamente.
- Ajuste la unidad de compartimiento cubo transparente y extractor de polvo en el aparato (las instrucciones aparecen arriba).

CÓMO LAVAR LOS FILTROS

- Esta máquina tiene dos filtros, ubicados como se muestra en las ilustraciones.
- Revise y lave los filtros con periodicidad, conforme a las instrucciones, para mantener el rendimiento.
- Apague la máquina y desconéctelo antes de quitar los filtros.
- Si se aspira polvo fino, será necesario lavar los filtros con mayor frecuencia.
- Lave únicamente con agua fría. No utilice detergentes.
- No coloque los filtros en el lavavajillas, el lavarropas, la secadora, el horno, el microondas o cerca del fuego.

Filtro A

- Para obtener acceso al filtro A, quite primero la unidad de compartimiento cubo transparente y extractor de polvo (las instrucciones aparecen arriba). Levante el filtro para extraerlo.
- Lave el filtro únicamente con agua fría. No utilice detergentes. Sosténgalo debajo de una toma y deje correr el agua a través de la abertura durante 10 segundos. Voltéelo boca abajo y dele golpecitos leves.
- Exprima y retuerza con ambas manos para asegurarse de eliminar el exceso de agua.
- Deje correr el agua sobre el exterior del filtro durante 15 segundos.
- Exprima y retuerza con ambas manos para asegurarse de eliminar el exceso de agua.
- Coloque el filtro sobre su extremo ancho abierto para que se seque. Déjelo secar completamente durante 24 horas.
- Vuelva a colocar el filtro en el extractor de polvo. Ajuste la unidad de compartimiento cubo transparente y extractor de polvo en el aparato (las instrucciones aparecen arriba).
Para quitar el filtro B:
 - gire el selector central de bloqueo en la cubierta externa de la esfera giratoria en sentido opuesto a las manecillas del reloj hasta que la cubierta se libere
 - desprenda la cubierta
 - para extraer el filtro, coloque los dedos debajo de las dos lengüetas levantadas. Levante el filtro para extraerlo. Ejercer una presión constante y firme.
- El filtro B se debe lavar con agua fría solamente, tanto el interior como el exterior, y golpear levemente hasta que fluya agua limpia; luego golpee levemente otra vez para comprobar que haya desaparecido todo el exceso de agua. (Golpee levemente el aro de plástico, no el material del filtro). Déjelo secar completamente durante 24 horas.
- Es normal que el filtro que se encuentra en la parte inferior se vuelva de color gris.
- Para reajustar el filtro B:
 - deslice el filtro dentro de la esfera giratoria
 - empuje el filtro hasta que se conecten las lengüetas – se escuchará un chasquido cuando esto ocurra.
- Cuando reajuste la cubierta exterior de la esfera giratoria, siga girando el

selector central de bloqueo en el sentido de las manecillas del reloj. Cuando comience a emitir chasquidos, quedará bloqueada.

IMPORTANTE: Después de lavarlo, deje transcurrir al menos 24 horas para que se seque antes de reinstalarlo.

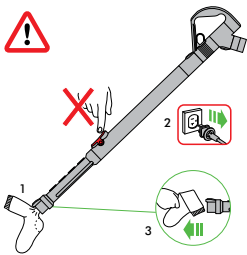
- Para ver un breve vídeo en línea, visite: www.dyson.com/dc37filterwash

SISTEMA DE DESCONEXIÓN TÉRMICA

- Esta máquina posee un sistema de desconexión térmica.
- Si se produce una obstrucción en cualquier parte, el máquina se puede sobrecalentar y desconectarse automáticamente.
- Si esto sucede, siga las instrucciones que se detallan a continuación en “Cómo buscar obstrucciones”.

CÓMO BUSCAR OBSTRUCCIONES

- Los objetos grandes pueden obstruir los accesorios o la entrada del tubo. Si esto sucede, no opere la traba para soltar el tubo. Apague y desconecte. Si no lo hace, podría sufrir lesiones.
- Permita que se enfríe durante 1-2 horas antes de inspeccionar los filtros en busca de obstrucciones.
- **TENGA CUIDADO CON LOS OBJETOS FILOSOS CUANDO REVISE EN BUSCA DE OBSTRUCCIONES.**
- Reinstale todas las partes correctamente antes de utilizarlo.
- Para verificar si hay obstrucciones en los conductos de aire del cuerpo principal, quite primero la unidad de compartimiento cubo transparente y extractor de polvo (ver arriba).
- Inspeccione en busca de obstrucciones.
- Para quitar la sección transparente de entrada, desenganche con el dedo el pestillo que se encuentra en la parte superior, localizado en el lugar que se ilustra. Retire la sección de entrada.
- Elimine cualquier obstrucción antes de reiniciar el funcionamiento.
- Su garantía limitada no cubre la eliminación de obstrucciones.



CEPILLO: PARA ELIMINAR OBSTRUCCIONES

- Si la se obstruye el cepillo, se puede apagar. Si esto ocurre, necesitará eliminar el bloqueo.
- Apague y desconecte antes de proceder. Si no lo hace, podría sufrir lesiones.
- Quite el cepillo utilizando una moneda para aflojar el sujetador marcado con un candado hasta escuchar un clic.
- Tenga cuidado con los objetos filosos cuando elimine las obstrucciones.
- Vuelva a instalar el cepillo y sujételo ajustando el sujetador hasta escuchar un clic. Compruebe que esté fijo antes de iniciar el funcionamiento.
- Tenga cuidado si entra en contacto con los cepillos de fibra de carbón ya que pueden causar irritaciones leves en la piel. Lávese las manos después de manipular los cepillos.
- Su garantía no cubre la eliminación de obstrucciones del cepillo.

REPARACIÓN DE AVERÍAS DE LA BARRA DE CEPILLO

Si el cepillo ha dejado de girar, siga las instrucciones anteriores para eliminar obstrucciones. Alternativamente, comuníquese con un experto de Dyson a la línea de ayuda de Dyson o visite el sitio web.

GARANTÍA

SERVICIO DE ATENCIÓN AL CLIENTE DYSON

GRACIAS POR ELEGIR COMPRAR UNA MÁQUINA DYSON

Si tiene alguna duda acerca de la máquina Dyson, llame a la línea de ayuda de Dyson con el número de serie e información de cuándo y dónde compró el producto.

Si tiene más preguntas, puede consultar por teléfono a algún miembro de la línea de ayuda.

Si su máquina Dyson necesita reparación llame a la Línea de ayuda de Dyson para poder analizar las opciones disponibles. Si su máquina tiene garantía y la reparación necesaria está incluida dentro de esa garantía, se reparará sin costo alguno.

Encontrará el número de serie en la placa de datos de calificación que se encuentra en la base de la máquina.

POR FAVOR REGÍSTRESE COMO PROPIETARIO DE UNA MÁQUINA DYSON

Para ayudarnos a asegurarle que reciba un servicio rápido y eficaz, por favor regístrese como propietario de la máquina Dyson. Hay dos maneras de hacerlo: En línea en www.dyson.com

- Llamando por teléfono a la Línea de ayuda de Dyson, 1-866-276-3886.
- Enviando por correo el formulario de garantía que se anexa, dirigido a nuestra dirección.

Esto confirmará que la máquina Dyson es de su propiedad en caso de que ocurra una pérdida cubierta por el seguro, y nos permitirá contactarle si fuese necesario.

5 AÑOS DE GARANTÍA TÉRMINOS Y CONDICIONES DE LA GARANTÍA LIMITADA DE 5 AÑOS DE DYSON.

QUÉ ESTÁ CUBIERTO

Su máquina Dyson está garantizado contra defectos originales de material o mano de obra por un período de 5 años a partir de la fecha de compra, cuando se utilice para fines domésticos privados y de acuerdo con el Manual de Instrucciones de Dyson. Esta garantía proporciona, sin costo para usted, toda la mano de obra y piezas para poner su máquina en perfectas condiciones de funcionamiento durante el plazo de garantía. Esta garantía está sujeta a los siguientes términos:

QUÉ NO ESTÁ CUBIERTO

Dyson, Inc. no será responsable de los costos incurridos como resultado de:

- Máquinas comprados a proveedores no autorizados.
- El funcionamiento o manejo descuidado, uso indebido y/o falta de mantenimiento o el uso de forma contraria al Manual de Instrucciones de Dyson.
- El uso de piezas que no estén contempladas en el Manual de Instrucciones de Dyson.
- El uso del aparato contrario a los usos domésticos normales dentro de los Estados Unidos de América, por ejemplo, para el uso comercial o alquiler.
- El uso de piezas y accesorios que no sean los producidos o recomendados por Dyson, Inc.
- Factores externos, como por ejemplo el clima.
- Reparaciones o alteraciones llevadas a cabo por partes o agentes no autorizados.
- Para eliminar las obstrucciones en su máquina.
- Uso y desgaste normal, incluido desgaste normal de partes como cubo transparente banda, filtro, cepillo, ensamble de la manguera, y cable de corriente (o donde se diagnostique daño o abuso externo), daño a la alfombra o piso debido al uso no de acuerdo con las instrucciones del fabricante dado al caso de no apagar el cepillo cuando es necesario.

SERVICIO DE GARANTÍA

- Por favor complete y devuelva el Formulario de registro del producto, o regístrese en línea en www.dyson.com
- Antes de poder realizar el servicio, los términos de la garantía exigen que se ponga en contacto con la Línea Directa de Asistencia al Cliente de Dyson y que proporcione el nombre/número del modelo, número de serie, y la fecha y sitio de compra.
- Por favor mantenga la factura de compra en un sitio seguro para asegurarse de tener esta información.
- Todo el trabajo lo llevará a cabo Dyson, Inc. o sus agentes autorizados.
- El cambio de cualquier pieza defectuosa no extenderá el período de la misma.
- El servicio según esta garantía no extenderá el período de esta garantía.
- Si su máquina Dyson no funciona correctamente, por favor llame a la Línea Directa de Asistencia al Cliente de Dyson. La mayoría de los problemas pueden solucionarse por teléfono a través de nuestro personal capacitado en atención al cliente. Si esto no es posible, Dyson, Inc. hará que se repare y se le devuelva su máquina Dyson en perfectas condiciones sin costo adicional para usted.

LIMITACIONES Y EXCLUSIONES DE LA GARANTÍA

- Cualquier garantía implícita relacionada con su máquina, incluyendo pero sin limitarse a una garantía de comerciabilidad o garantía de idoneidad para un propósito en particular, se limita a la duración de esta garantía. Esta limitación no está permitida por algunos estados, por lo que esta limitación puede no aplicarse a usted.
- El recurso por el incumplimiento de esta garantía se limita al servicio de garantía descrito anteriormente. Dyson, Inc. no será responsable de ningún daño consecuente o incidental en el que se pueda incurrir en conexión con la compra y uso de su máquina. Esta limitación no está permitida por algunos estados, por lo que esta limitación puede no aplicarse a usted.
- Esta garantía le otorga derechos legales específicos.
- Esta garantía limitada no es transferible.

INFORMACIÓN IMPORTANTE PARA LA PROTECCIÓN DE DATOS

Sus detalles serán retenidos por Dyson, Inc. u otros en nombre de Dyson, Inc. de manera que nuestro departamento de Servicio al cliente pueda brindarle asistencia con mayor rapidez. Dyson, Inc. podrá enviarle periódicamente ofertas especiales y noticias relacionadas con nuestras más recientes innovaciones. Marque la casilla que se encuentra en el Formulario de la garantía que se incluye en el Manual de Instrucciones de Dyson si usted no desea recibir información comercial o promocional de Dyson, Inc. Para obtener más información acerca de nuestras prácticas de recopilación de datos, consulte la política de privacidad de Dyson, Inc. en www.dyson.com/privacy

INFORMACIÓN DE ELIMINACIÓN DE RESIDUOS

Los productos Dyson están hechos a partir de materiales reciclables de alta calidad y, por tanto, no deben tratarse como residuos domésticos. Para proteger el medio ambiente, deseché este producto de forma responsable y reciclelo siempre que sea posible.

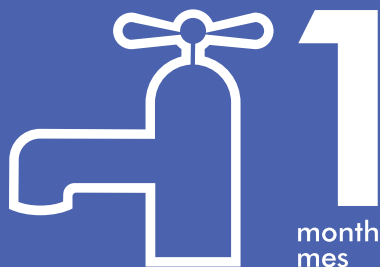
INFORMACIÓN ACERCA DEL PRODUCTO:

Recuerde: El producto puede diferir en algunos pequeños detalles en comparación con las ilustraciones.

IMPORTANT!

WASH FILTERS

Wash filters with cold water at least every month.



¡IMPORTANTE!

LAVADO DE LOS FILTROS

Lave el filtro con agua fría al menos cada mes.



Dyson Customer Care

If you have a question about your Dyson machine, call the Dyson Helpline with your serial number and details of where and when you bought the machine.

Servicio de atención al cliente Dyson

Si tiene alguna duda acerca de su máquina Dyson, llame a la línea de ayuda de Dysonal con el número de serie e información de cuándo y dónde compró el producto.

DYSON CONTACT DETAILS

Website: www.dyson.com

Dyson Helpline: 1-866-276-3886

(Mon-Fri 7am to 9pm CST; Sat-Sun 9am to 6pm CST).

Servicio de atención al cliente Dyson:

1-866-276-3886 (lunes a viernes de 7am - 9pm;

sábados a domingos de 9am - 6pm).

www.dyson.com

Please take a few moments to answer our questions. They will help us develop new products for the future.

Tómese unos instantes para responder a nuestras preguntas. Esto nos ayudará a desarrollar nuevos productos en el futuro.

1. What is the purpose of your Dyson purchase?
- My first Dyson purchase
 - A further Dyson purchase - I have previously owned other Dyson machines
 - A replacement vacuum

2. Have you ever recommended Dyson machines to other people?
- Sometimes
 - Never

3. Why did you decide to buy a Dyson vacuum?
- Cleaning performance
 - Advanced Technology/ Features
 - Style / Design
 - Warranty
 - Recommendation
 - Promotion
 - No loss of suction

4. What type of machine did you previously own?
- Upright vacuum
 - Canister vacuum
 - Cordless/handheld vacuum
 - None of the above

5. Where did you buy your Dyson vacuum?
- Bed, Bath & Beyond
 - Best Buy
 - Costco
 - Home Depot
 - Internet
 - Kohl's
 - Lowes
 - Macy's
 - Mail order catalog
 - Received as a gift
 - Sam's Club
 - Sears
 - Target
 - TV shopping network
 - Wal-Mart
 - Other

6. Where did you first hear of Dyson vacuums?
- TV/radio
 - Friends/family
 - Website
 - In-store
 - Consumer magazine
 - Other newspaper/magazine
 - Dyson Email
 - Dyson Event
 - Don't remember
 - Other

1. ¿Cuál es el motivo de su compra de un producto Dyson?
- Es mi primera compra de productos Dyson
 - Compré anteriormente un producto Dyson – Tuve antes otras máquinas Dyson
 - Una aspiradora de repuesto

2. ¿Alguna vez ha recomendado máquinas Dyson a otras personas?
- A veces
 - Nunca

3. ¿Por qué decidió comprar una aspiradora Dyson?
- Capacidad de limpieza
 - Tecnología avanzada / Funciones
 - Estilo / Diseño
 - Garantía
 - Recomendación
 - Promoción
 - No pierde succión

4. ¿Qué tipo de máquina tuvo antes?
- Aspiradora vertical
 - Aspiradora tipo canasta
 - Aspiradora portátil inalámbrica
 - Ninguna de las anteriores

5. ¿Dónde compró su aspiradora Dyson?
- Bed, Bath & Beyond
 - Best Buy
 - Costco
 - Home Depot
 - Internet
 - Kohl's
 - Lowes
 - Macy's
 - Catálogo de pedidos por correo
 - Fue un regalo
 - Sam's Club
 - Sears
 - Target
 - Red de compras de TV
 - Wal-Mart
 - Otro

6. ¿Dónde escuchó por primera vez sobre las aspiradoras Dyson?
- TV/radio
 - Amigos/familia
 - Sitio web
 - En una tienda
 - En una revista de productos
 - En otra revista/periódico
 - Correo electrónico de Dyson
 - Evento de Dyson
 - No me acuerdo
 - Otro Gato / Perro



Date of purchase | Fecha de compra / /

Serial number | Número de série

Title | Tratamiento

Surname | Apellido

First name | Nombre

Address | Dirección

Zip Code | Código postal

email | email

Telephone | Teléfono

From time to time, we'd like to tell you about new Dyson technology and services or get your opinion about your purchase. If you'd prefer us NOT to keep in touch, please tick this box.

De vez en cuando, queremos decirle acerca de la nueva tecnología de Dyson y servicios o conseguir su opinión acerca de su compra. Marque esta casilla si prefiere que NO mantengamos contacto con usted.

3 EASY WAYS TO REGISTER | 3 MANERAS FÁCILES DE REGISTRARSE

ONLINE
Convenient and instant.
www.dyson.com/register

EN LÍNEA
Conveniente y al instante.
www.dyson.com/register



PHONE
Dyson Helpline:
1-866-276-3886 (Mon-Fri 8am to 8pm CST; Sat 9am to 6pm CST; Sun closed).

POR TELÉFONO
Servicio de atención al cliente Dyson:
1-866-276-3886 (lunes a viernes de 7am - 9pm; sábados a domingos de 9am - 6pm).



MAIL
Complete and return the form in the envelope supplied.

POR CORREO
Complete este formulario y envíelo.