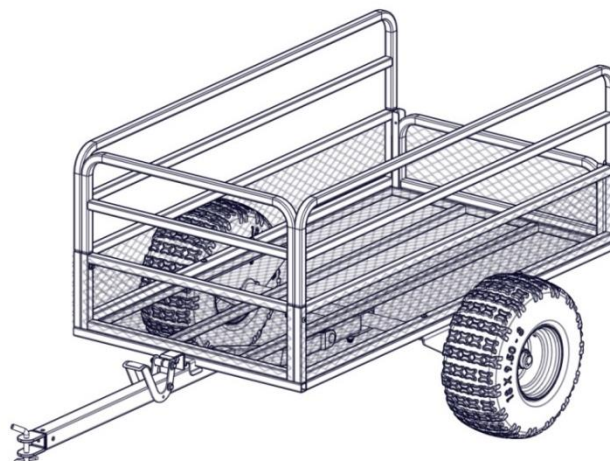




INSTRUCTIONS (105085) FOR
HDM 1400
AND
HDM 1400 TA,
TRAILERS

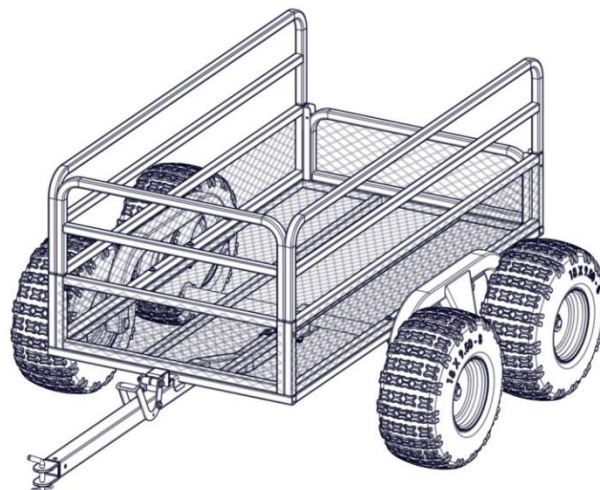
HDM 1400

MODEL 10738



HDM 1400 TA

MODEL 10812



Please contact customer service directly at the E-mail or phone number listed below for any quality issues. **ONCE USED THIS PRODUCT CANNOT BE RETURNED TO STORE.**

***** Warranty cannot be honored without an original, dated receipt *****

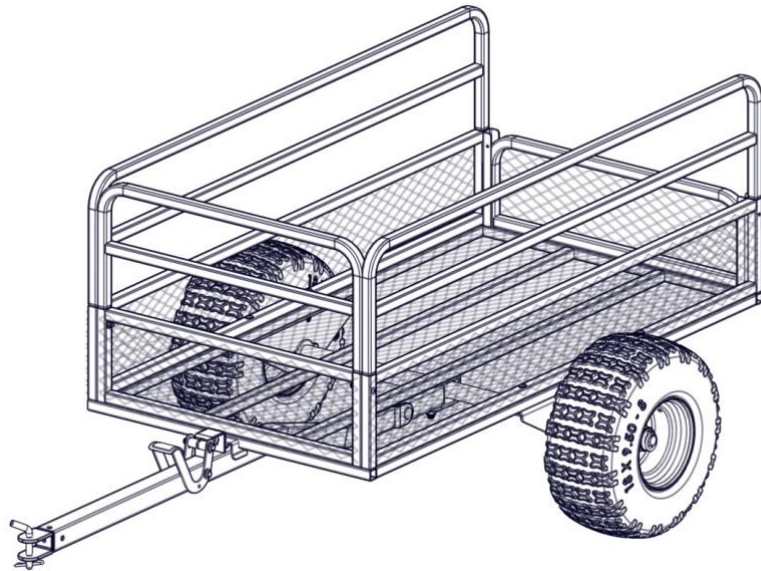
**** REGISTER YOUR PURCHASE ONLINE AT CLAMOUTDOORS.COM AND BE ENTERED INTO DRAWING ****



HDM 1400

SPECIFICATIONS :

Part Number	110738
Load Capacity:	1400 lbs
Level Load Size:	23 Cubic Feet
Overall Dimensions:	92"x 51"x 35
Weight:	172 lbs.
Tire Size:	18"x 9.50-8"



MODEL 10738

WARRANTY INFORMATION

IMPORTANT-PLEASE READ:

CLAM OUTDOORS INC. warrants to the original retail purchaser its product be free from manufacturers defects for (3) years from the date of the original purchase. Clam Outdoors Inc will replace or repair any part found defective within the (3) year time limit. All parts must be returned to Clam Outdoors Inc. Before returning any parts, you must first call or write and acquire a return authorization. All returns must be returned postage-prepaid and include the original cash register receipt (date and purchase price).

To submit a warranty claim request, please use one of the following methods:

- Customer Service Hrs: 9am to 4pm, Monday – Friday Central Standard Time
- Clam Corporation
Attn: Customer Service – Warranty Department
12135 Brockton Lane
Rogers, MN 55369
- Phone: 763-231-4120
- Fax: 763-231-4121
- Email: customerservice@clamcorp.com
- Website: Clamoutdoors.com

The warranty does not apply to any Polar Trailer which has been subjected to an accident, improper installation, modification, adjustment, repair, misuse, misapplication, neglect, including but not limited to improper maintenance, or use of unauthorized parts or attachments.

LIMITATION OF LIABILITY

It is expressly understood that Clam Outdoors Inc. liability for its products, whether due to breach of warranty, negligence, strict liability, or otherwise, is limited to the repair of the product as stated above. Clam Outdoor Inc. is not liable for any injury, loss, damage, or expense, whether direct or consequential, including but not limited to loss of use, income, profit, or damage to material arising in connection with the sale, installation, use of, inability to use, or the repair or replacement of Clam Outdoor Inc. products. Clam Outdoor Inc. reserves the right to make alterations or modifications in its products at any time, which in its opinion, may improve the performance and efficiency of the product. It shall not be obligated to make such alterations or modifications to products already in service.

WARNING:

- **THIS ATTACHMENT IS INTENDED FOR USE IN LAWN CARE AND HOME APPLICATIONS.**
- **DO NOT TOW BEHIND A VEHICLE ON A HIGHWAY OR IN ANY HIGH SPEED APPLICATION.**
- **THIS PRODUCT HAS BEEN DESIGNED FOR OFF-ROAD USE ONLY.**
- **MAXIMUM TOW SPEED IS 10 MPH.**



THE FOLLOWING STATEMENTS ARE SUGGESTIONS AND DO NOT SUPERCEDE OR ELIMINATE ANY TOWING AND SAFETY INSTRUCTIONS LISTED IN ANY OWNERS MANUALS FOR ANY PRODUCT BEING USED FOR THE PURPOSE OF TOWING ANY CLAM OUTDOORS INC. PRODUCTS. ALWAYS REFER TO THE TOWING VEHICLES MANUAL, GUIDELINES OR INSTRUCTIONS.

Transporting Loads Safely

- Stopping distance increases with speed and weight of towed load. Travel slowly and allow extra time and distance to stop.
- Total towed weight must not exceed limits specified in towing vehicle operator's manual.
- Excessive towed load can cause loss of traction and loss of control on slopes. Reduce towed weight when operating on slopes.
- Never allow children or others in or on towed equipment.
- Use only approved hitches. Tow only with a machine that has a hitch designed for towing. Do not attach towed equipment except at the approved hitch point.
- Follow the manufacturer's recommendations for weight limits for towed equipment and towing on slopes.
- Do not turn sharply. Use additional caution when turning or operating under adverse surface conditions. Use care when reversing.
- Do not shift to neutral and coast downhill

Protect Bystanders

- Keep bystanders away when you operate a towed attachment.
- Before you back machine and attachment, look carefully behind attachment for bystanders.

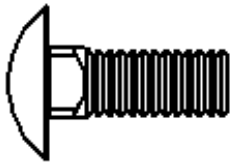
Keep Riders off Towed Attachment

- Keep riders off of a towed attachment.
- Riders on a towed attachment are subject to injury, such as being struck by objects and being thrown off the attachment during sudden starts, stops and turns.
- Riders obstruct the operator's view, resulting in the attachment being used in an unsafe manner.
- Keep riders off of the hitch bracket or trailer tongue.

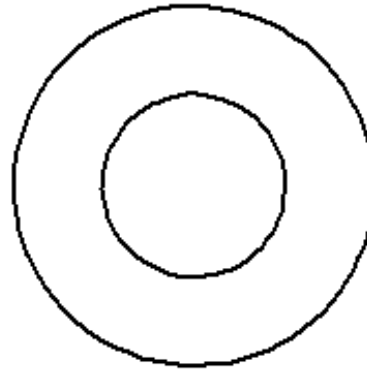
PARTS LIST (HDM 1400)

QTY.	PART NO.	DESCRIPTION
1	110738	ASSY, HDM 1400 TRAILER
1	105064	ASSY, WLDMT, TRAILER BED
2	105074	PLATE, AXLE SUPPORT
2	105012	ASSY, 18 X 9.5.0 - 8, WHEEL
1	105079	ASSY, WLDMT, AXLE, MESH TRAILER
1	101721	TUBE, 2 X 2 PIVOT
1	105082	ASSY, TONGUE
1	105073	ASSY, WLDMT, FRONT, RAIL EXT
2	105071	ASSY, WLDMT, SIDE RAIL EXT
1	105068	ASSY, WLDMT, TAILGATE
1	105085	INSTRUCTIONS, HDM 1400
1	105083	KIT, HRDWR, HDM 1400 TRAILER <i>(INCLUDES THE FOLLOWING)</i>
5	101732	WASHER, 1" FLAT SAE CZ
5	102347	BOLT, 3/8-16 X 1.00 CB GR5
5	101741	WASHER, 3/8" FLAT REG
5	101740	NUT, 3/8-16 NYLOCK
15	101081	WASHER, 1/4 FLAT REG YZ
8	105325	SCREW, 1/4-20 X 3 PTH
9	101163	NUT, 1/4-20 NYLOCK
3	101739	BOLT, 1/2-13 X 3.50 CB GR5 CZ
3	101312	WASHER, 1/2" FLAT REG CZ
3	101313	NUT, 1/2-13 NYLOCK
2	101823	PIN, 1/4" LYNCH
1	102200	BENT ARM PIN
1	102201	SPRING COTTER PIN
3	101906	SCREW, 1/4-20 X 2.50 PTH GR5 CZ

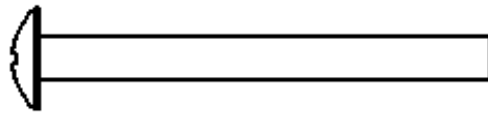
FASTENERS



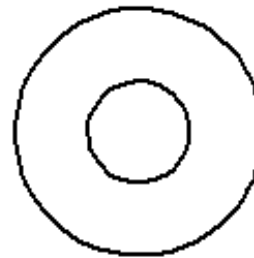
5X 102347



5X 101732



3X 101906



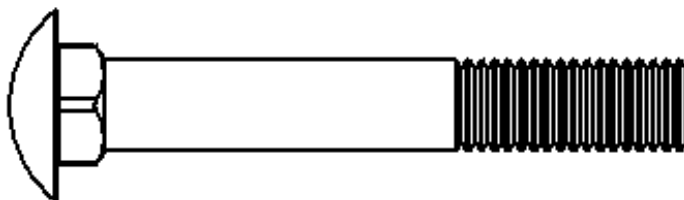
3X 101312



8X 105325



5X 101741



3X 101739



15X 101081



9X 101163



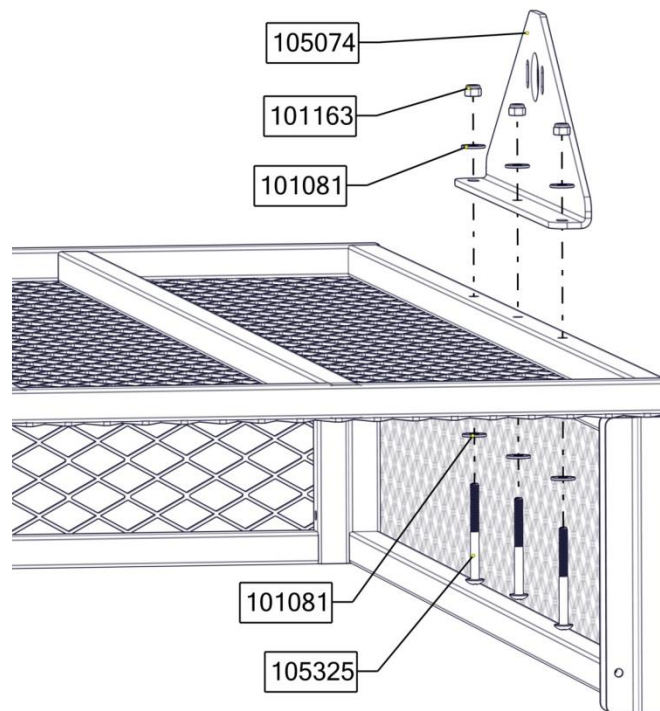
5X 101740



3X 101313

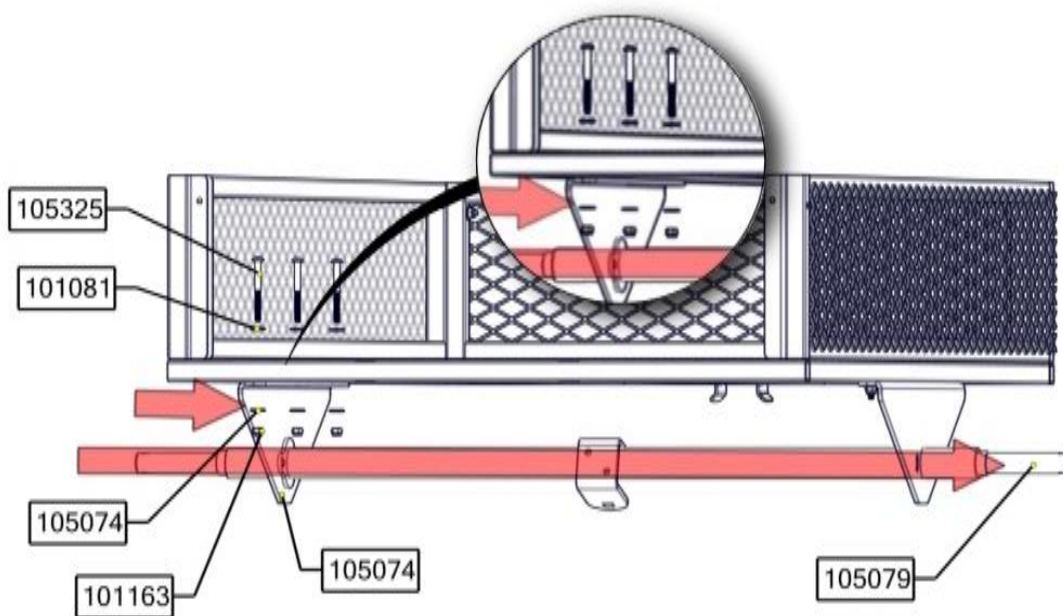
STEP-1

1. **LOOSELY** INSTALL ONE BRACKET (105074) TO TRAILER BOX AS SHOWN.



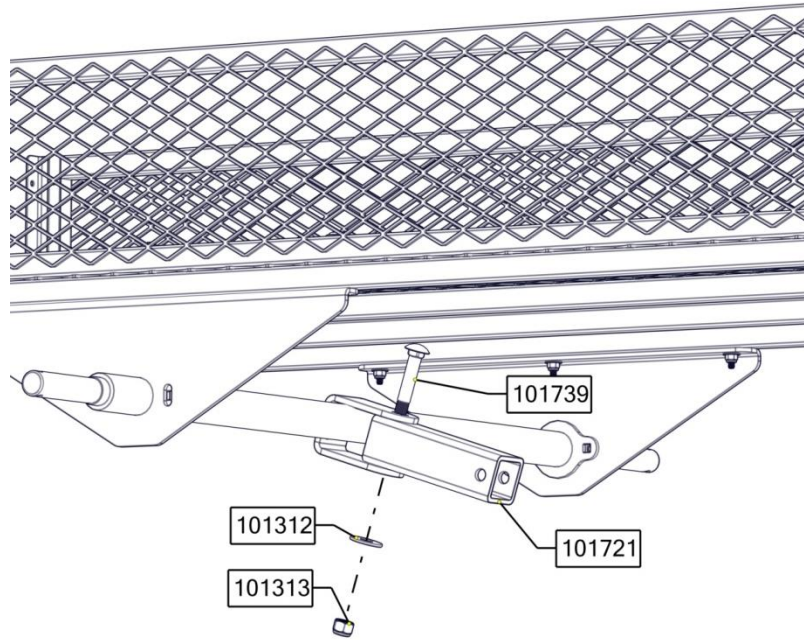
STEP-2

1. SLIDE AXLE (105079) THRU PREVIOUSLY INSTALLED BRACKET (105074)
2. SLIDE OTHER BRACKET (105074) OVER AXLE AND **LOOSELY** ATTACH TO TRAILER AS SHOWN



STEP-3

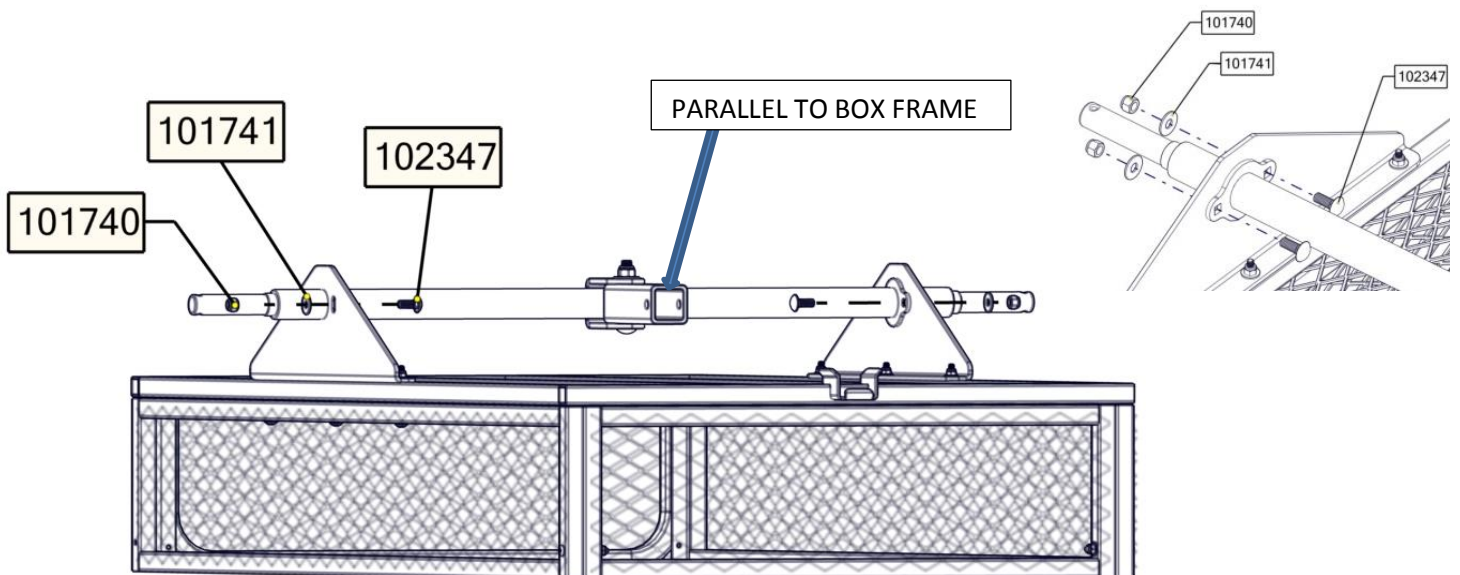
1. ATTACH TONGUE CONNECTOR (101721) AS SHOWN.
2. DO NOT OVER TIGHTEN (101721) SHOULD ROTATE FREELY.



STEP-4

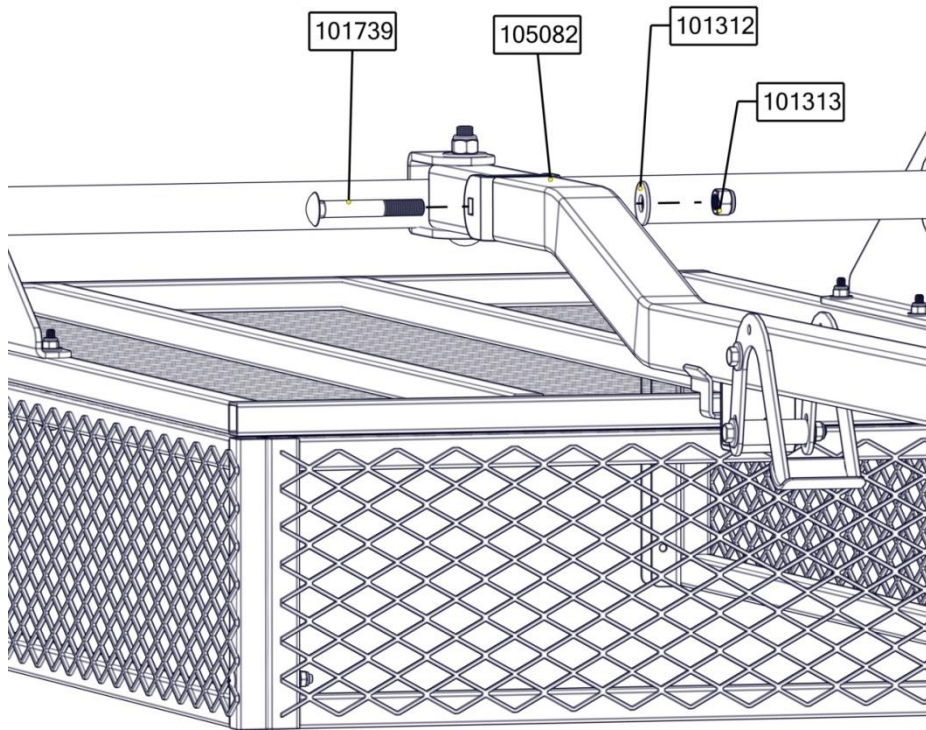
1. ATTACH AXLE (105079) TO BOTH BRACKETS (105074) WITH FASTENERS AS SHOWN AND **SECURELY** TIGHTEN **ALL** FASTENERS INSTALLED AT THIS POINT.

 TONGUE CONNECTOR MUST BE PARALLEL TO TRAILER BASE AFTER AXLE HAS BEEN SECURELY TIGHTENED



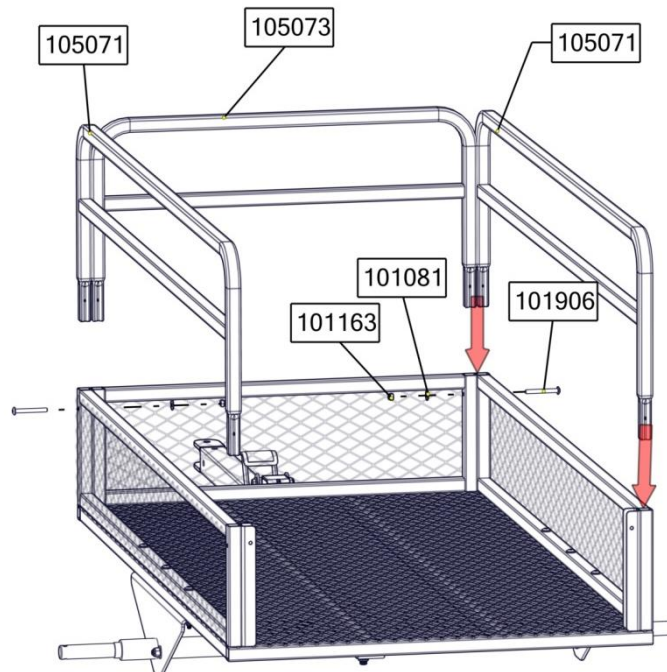
STEP-5

1. ATTACH TONGUE (105080) AS SHOWN
2. DO NOT OVER TIGHTEN (105080) SHOULD ROTATE FREELY.



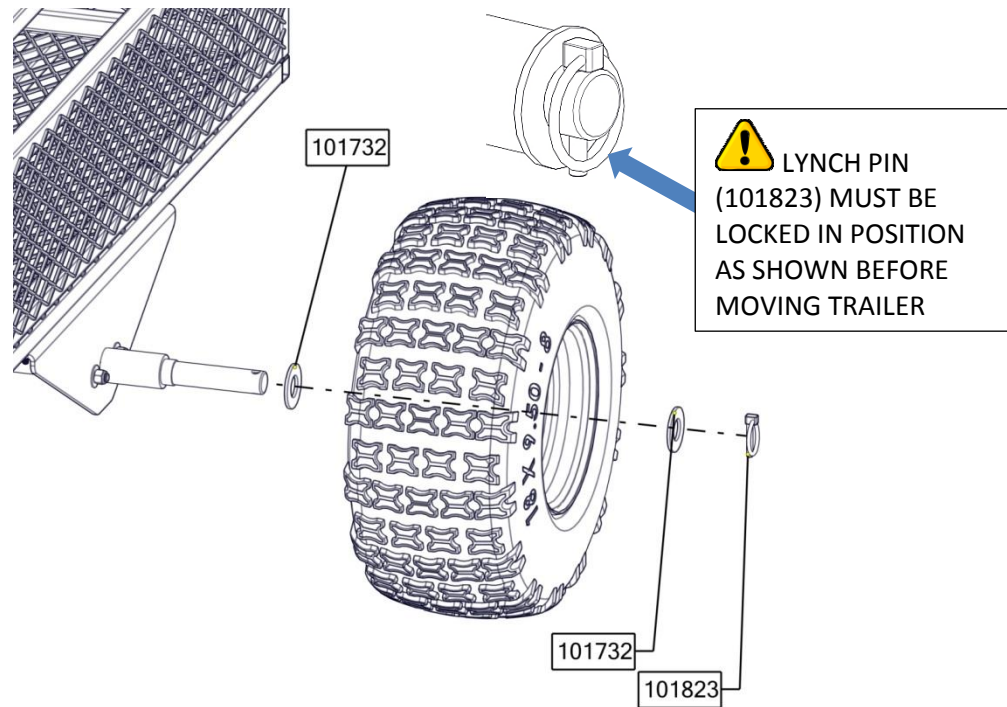
STEP-6

1. INSERT EXTENSION RAILS AND TIGHTEN IN PLACE AS SHOWN



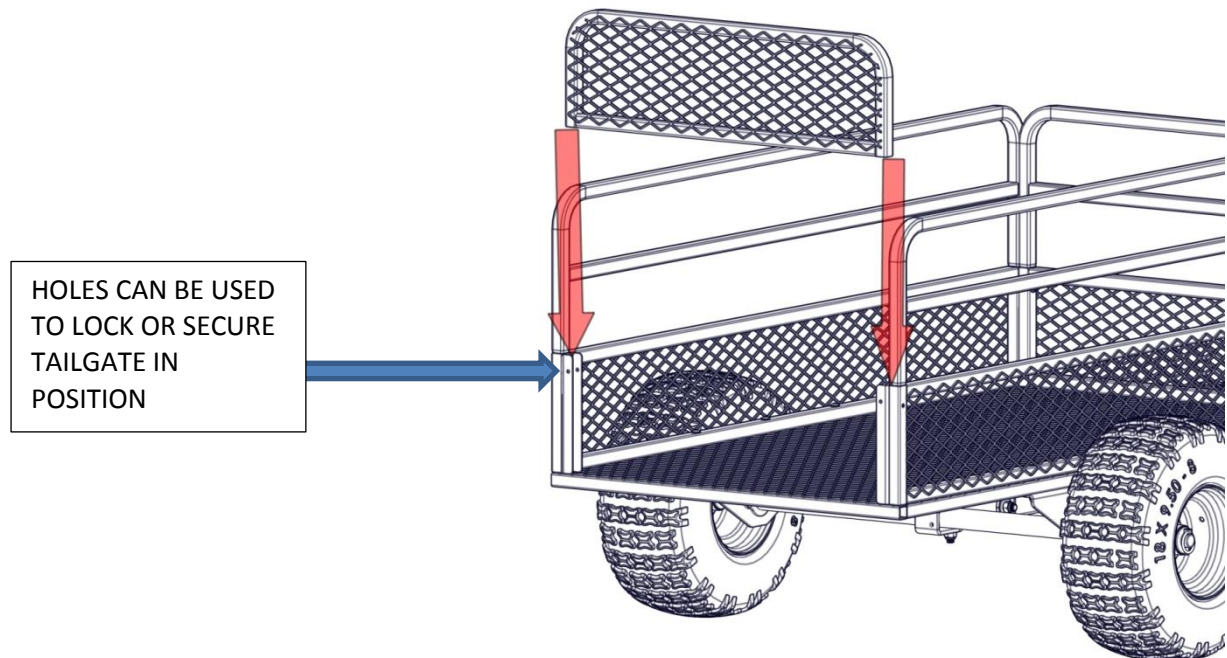
STEP-7

1. ATTACH WHEELS AS SHOWN



STEP-8

1. SLIDE TAILGATE BETWEEN BRACKETS

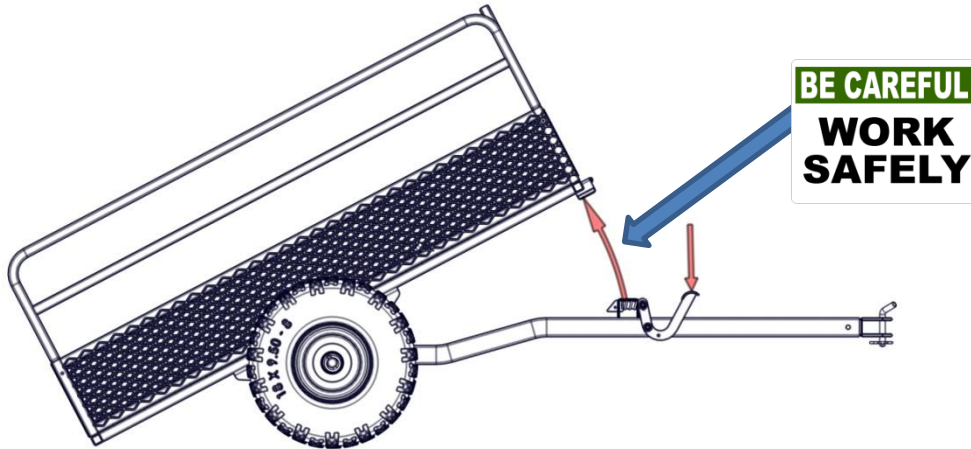


TRAILER BOX DUMP AND TILT

1. USING FOOT PUSH DOWN ON FOOT PEDAL TO RELEASE TRAILER BOX

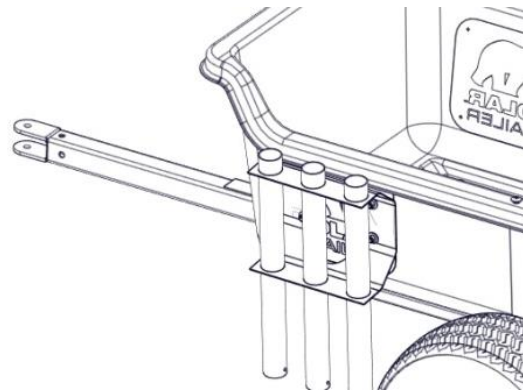
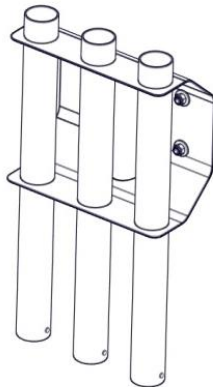


KEEP CLEAR OF ROTATING BOX AREA TO AVOID INJURY

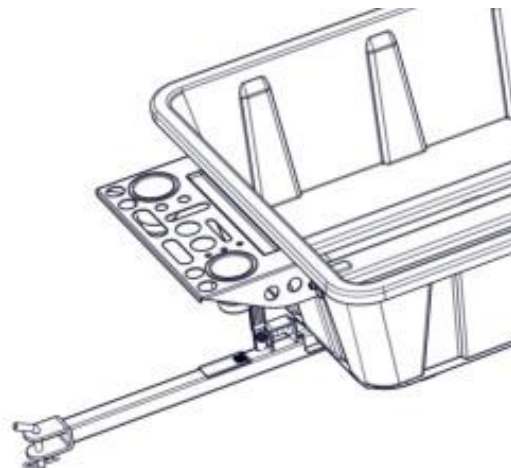
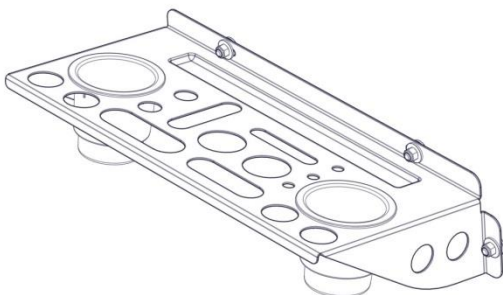


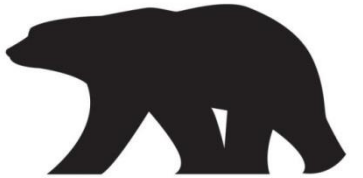
VISIT OUR WEB-SITE FOR ADDITIONAL ACCESSORIES THAT MAY BE AVAILABLE FOR YOUR TRAILER

TOOL RACK
PART# 110517



TOOL ORGANIZER
PART# 110518

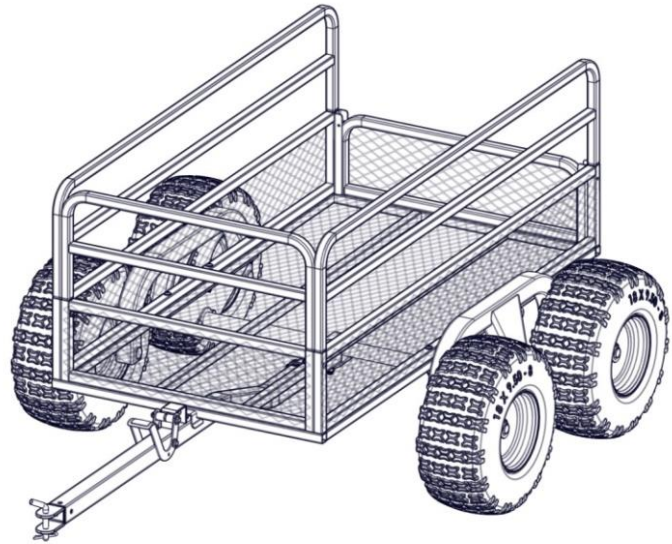




POLAR
TRAILER

BY **CLAM**

HDM 1400 TA



MODEL 10812

SPECIFICATIONS :

Part Number	110812
Load Capacity:	1400 lbs
Level Load Size:	23 Cubic Feet
Overall Dimensions:	92"x 51"x 35
Weight:	245 lbs.
Tire Size:	18"x 9.50-8"

WARRANTY INFORMATION



Please contact customer service directly at the E-mail or phone number listed below for any quality issues. **ONCE USED THIS PRODUCT CANNOT BE RETURNED TO STORE.**

**** Warranty cannot be honored without an original, dated receipt ****

**** REGISTER YOUR PURCHASE ONLINE AT CLAMOUTDOORS.COM AND BE ENTERED INTO DRAWING ****

IMPORTANT-PLEASE READ:

CLAM OUTDOORS INC. warrants to the original retail purchaser its product be free from manufacturers defects for (3) years from the date of the original purchase. Clam Outdoors Inc will replace or repair any part found defective within the (3) year time limit. All parts must be returned to Clam Outdoors Inc. Before returning any parts, you must first call or write and acquire a return authorization. All returns must be returned postage-prepaid and include the original cash register receipt (date and purchase price).

To submit a warranty claim request, please use one of the following methods:

- Customer Service Hrs: 9am to 4pm, Monday – Friday Central Standard Time
- Clam Corporation
Attn: Customer Service – Warranty Department
12135 Brockton Lane
Rogers, MN 55369
- Phone: 763-231-4120
- Fax: 763-231-4121
- Email: customerservice@clamcorp.com
- Website: Clamoutdoors.com

The warranty does not apply to any Polar Trailer which has been subjected to an accident, improper installation, modification, adjustment, repair, misuse, misapplication, neglect, including but not limited to improper maintenance, or use of unauthorized parts or attachments.

LIMITATION OF LIABILITY

It is expressly understood that Clam Outdoors Inc. liability for its products, whether due to breach of warranty, negligence, strict liability, or otherwise, is limited to the repair of the product as stated above. Clam Outdoor Inc. is not liable for any injury, loss, damage, or expense, whether direct or consequential, including but not limited to loss of use, income, profit, or damage to material arising in connection with the sale, installation, use of, inability to use, or the repair or replacement of Clam Outdoor Inc. products. Clam Outdoor Inc. reserves the right to make alterations or modifications in its products at any time, which in its opinion, may improve the performance and efficiency of the product. It shall not be obligated to make such alterations or modifications to products already in service.

WARNING:

- **THIS ATTACHMENT IS INTENDED FOR USE IN LAWN CARE AND HOME APPLICATIONS.**
- **DO NOT TOW BEHIND A VEHICLE ON A HIGHWAY OR IN ANY HIGH SPEED APPLICATION.**
- **THIS PRODUCT HAS BEEN DESIGNED FOR OFF-ROAD USE ONLY.**
- **MAXIMUM TOW SPEED IS 10 MPH.**



THE FOLLOWING STATEMENTS ARE SUGGESTIONS AND DO NOT SUPERCEDE OR ELIMINATE ANY TOWING AND SAFETY INSTRUCTIONS LISTED IN ANY OWNERS MANUALS FOR ANY PRODUCT BEING USED FOR THE PURPOSE OF TOWING ANY CLAM OUTDOORS INC. PRODUCTS. ALWAYS REFER TO THE TOWING VEHICLES MANUAL, GUIDELINES OR INSTRUCTIONS.

Transporting Loads Safely

- Stopping distance increases with speed and weight of towed load. Travel slowly and allow extra time and distance to stop.
- Total towed weight must not exceed limits specified in towing vehicle operator's manual.
- Excessive towed load can cause loss of traction and loss of control on slopes. Reduce towed weight when operating on slopes.
- Never allow children or others in or on towed equipment.
- Use only approved hitches. Tow only with a machine that has a hitch designed for towing. Do not attach towed equipment except at the approved hitch point.
- Follow the manufacturer's recommendations for weight limits for towed equipment and towing on slopes.
- Do not turn sharply. Use additional caution when turning or operating under adverse surface conditions. Use care when reversing.
- Do not shift to neutral and coast downhill

Protect Bystanders

- Keep bystanders away when you operate a towed attachment.
- Before you back machine and attachment, look carefully behind attachment for bystanders.

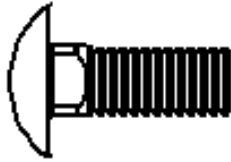
Keep Riders off Towed Attachment

- Keep riders off of a towed attachment.
- Riders on a towed attachment are subject to injury, such as being struck by objects and being thrown off the attachment during sudden starts, stops and turns.
- Riders obstruct the operator's view, resulting in the attachment being used in an unsafe manner.
- Keep riders off of the hitch bracket or trailer tongue.

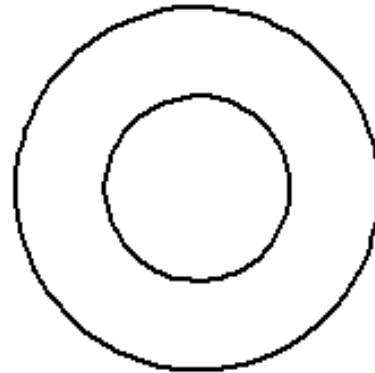
PARTS LIST (HDM 1400 TA)

QTY.	PART NO.	DESCRIPTION
(BOX 1)		
1	110738	ASSY, HDM 1400 TRAILER
1	105064	ASSY, WLDMT, TRAILER BED
2	105074	PLATE, AXLE SUPPORT
2	105012	ASSY, 18 X 9.5.0 - 8, WHEEL
1	105079	ASSY, WLDMT, AXLE, MESH TRAILER
1	101721	TUBE, 2 X 2 PIVOT
1	105082	ASSY, TONGUE
1	105073	ASSY, WLDMT, FRONT, RAIL EXT
2	105071	ASSY, WLDMT, SIDE RAIL EXT
1	105068	ASSY, WLDMT, TAILGATE
1	105334	INSTRUCTIONS, HDM 1400 TA
1	105083	KIT, HRDWR, HDM 1400 TRAILER <i>(INCLUDES THE FOLLOWING)</i>
5	101732	WASHER, 1" FLAT SAE CZ
5	102347	BOLT, 3/8-16 X 1.00 CB GR5
5	101741	WASHER, 3/8" FLAT REG
5	101740	NUT, 3/8-16 NYLOCK
15	101081	WASHER, 1/4 FLAT REG YZ
8	105325	SCREW, 1/4-20 X 3 PTH
9	101163	NUT, 1/4-20 NYLOCK
3	101739	BOLT, 1/2-13 X 3.50 CB GR5 CZ
3	101312	WASHER, 1/2" FLAT REG CZ
3	101313	NUT, 1/2-13 NYLOCK
2	101823	PIN, 1/4" LYNCH
1	102200	BENT ARM PIN
1	102201	SPRING COTTER PIN
3	101906	SCREW, 1/4-20 X 2.50 PTH GR5 CZ
(BOX 2)		
1	105097	KIT, TANDEM CONVERSION, MESH TRAILER
1	105092	KIT, TANDEM ARMS
2	105096	ASSY, TA PIVOT ARM
2	105012	ASSY, 18 X 9.5.0 - 8, WHEEL
2	101894	KIT, HARDWARE <i>(INLCUDES THE FOLLOWING)</i>
4	101732	WASHER, 1" FLAT SAE CZ
2	101823	PIN, 1/4" LYNCH

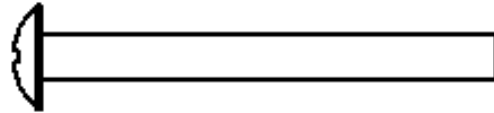
FASTENERS



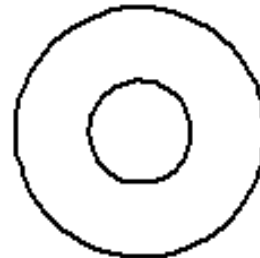
5X 102347



13X 101732



3X 101906



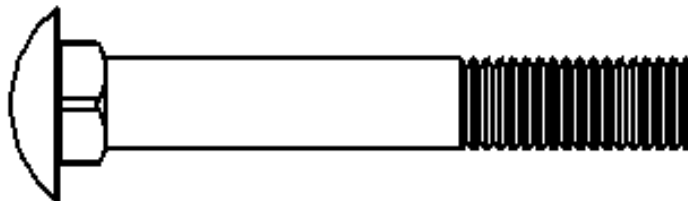
3X 101312



8X 105325



5X 101741



3X 101739



15X 101081



9X 101163



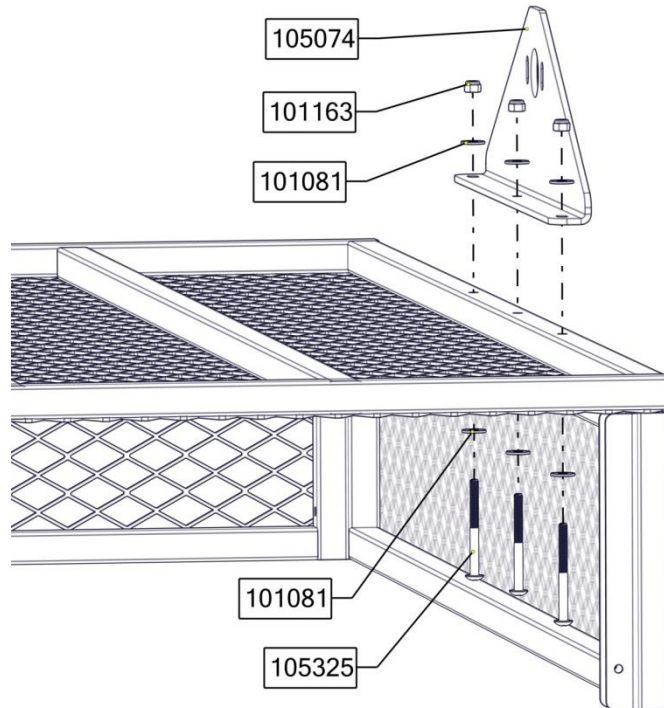
5X 101740



3X 101313

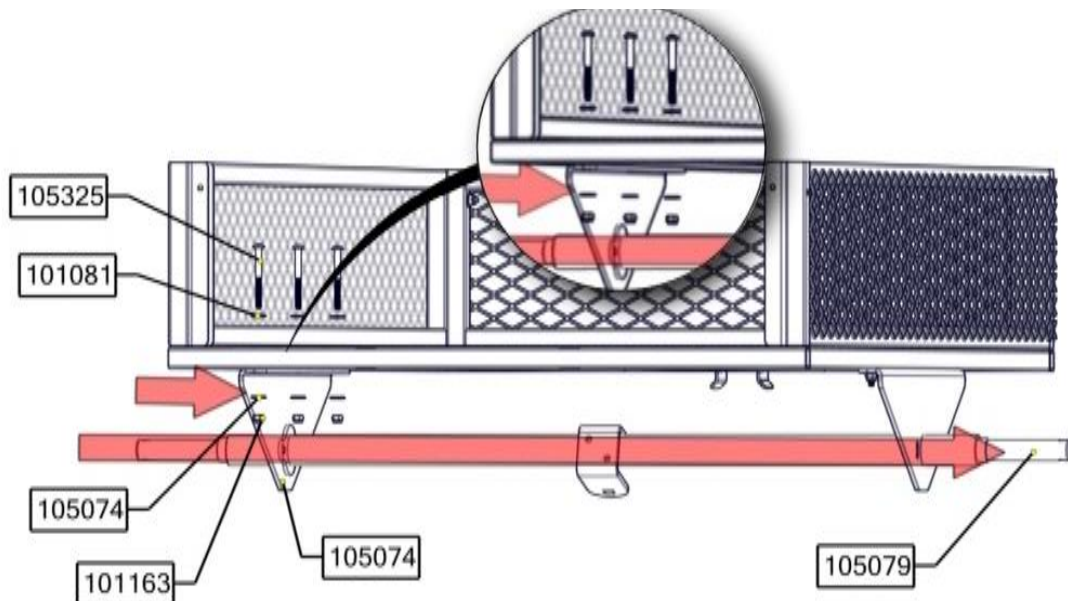
STEP-1

1. **LOOSELY** INSTALL ONE BRACKET (105074) TO TRAILER BOX AS SHOWN.



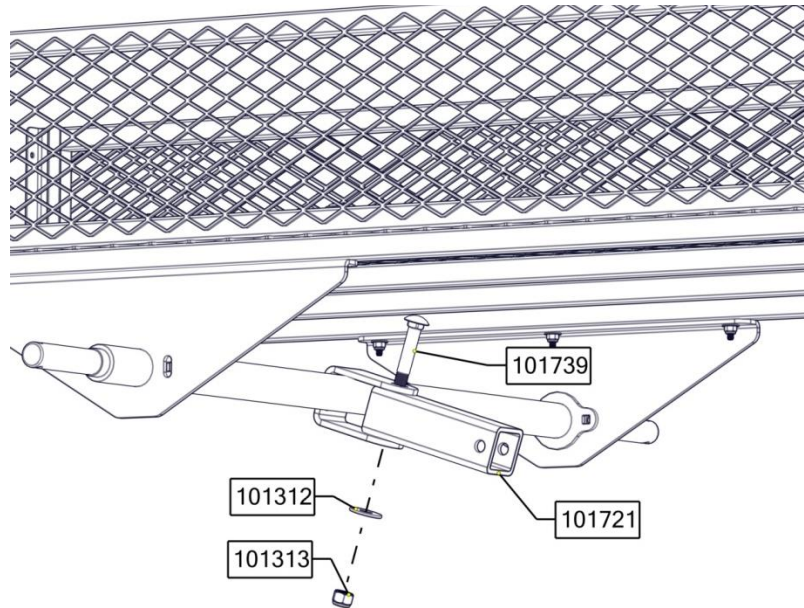
STEP-2

1. SLIDE AXLE (105079) THRU PREVIOUSLY INSTALLED BRACKET (105074)
2. SLIDE OTHER BRACKET (105074) OVER AXLE AND **LOOSELY** ATTACH TO TRAILER AS SHOWN



STEP-3

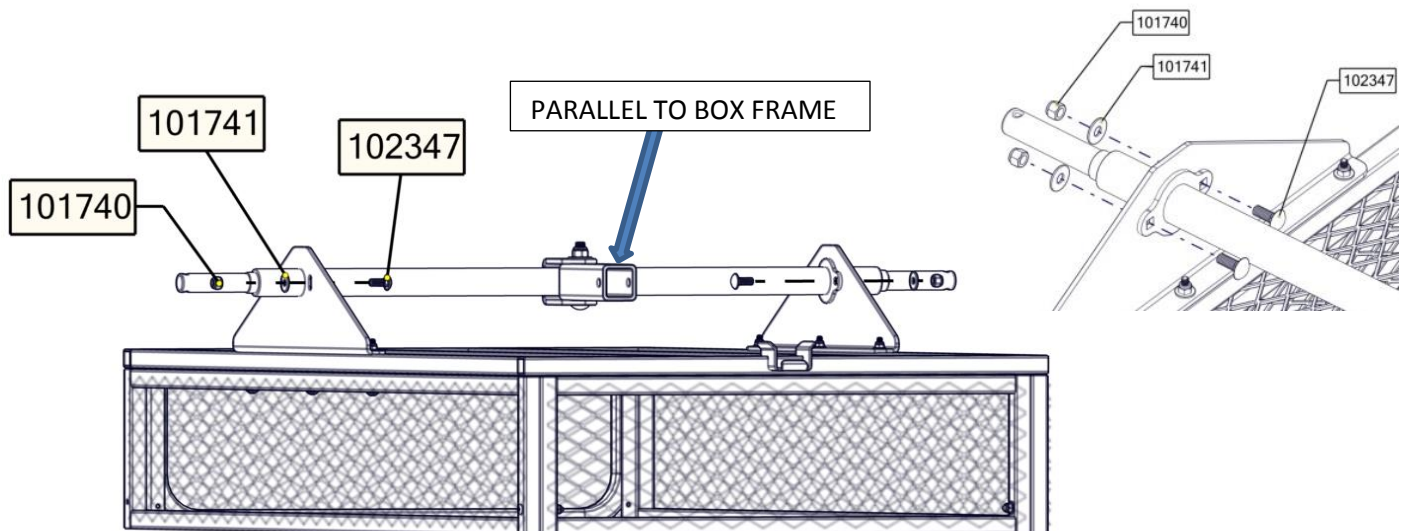
1. ATTACH TONGUE CONNECTOR (101721) AS SHOWN.
2. DO NOT OVER TIGHTEN (101721) SHOULD ROTATE FREELY.



STEP-4

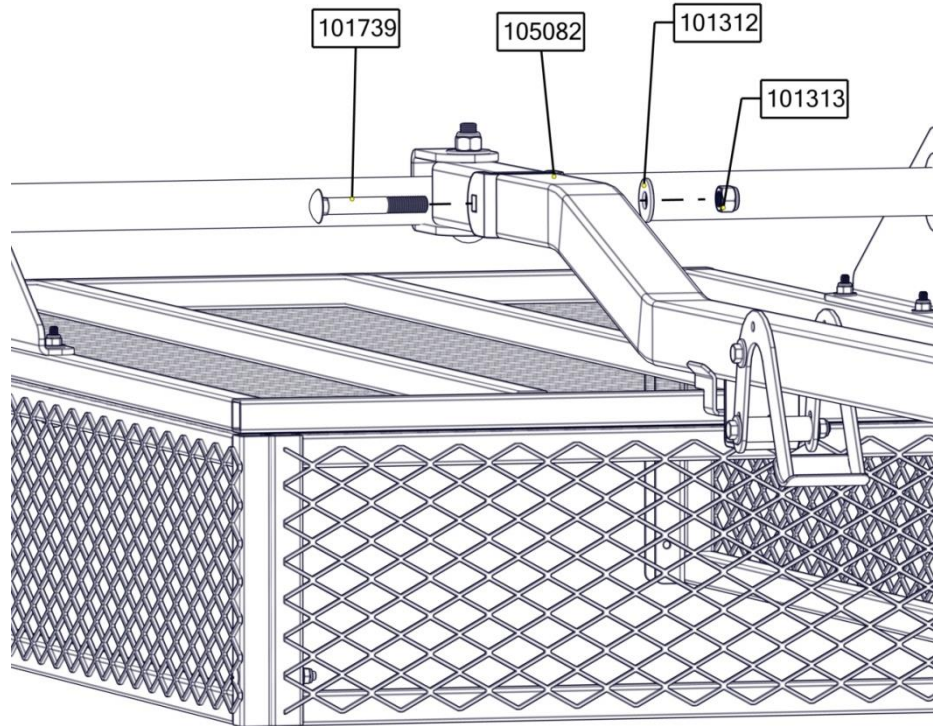
1. ATTACH AXLE (105079) TO BOTH BRACKETS (105074) WITH FASTENERS AS SHOWN AND **SECURELY** TIGHTEN **ALL** FASTENERS INSTALLED AT THIS POINT.

 TONGUE CONNECTOR MUST BE PARALLEL TO TRAILER BASE AFTER AXLE HAS BEEN SECURELY TIGHTENED



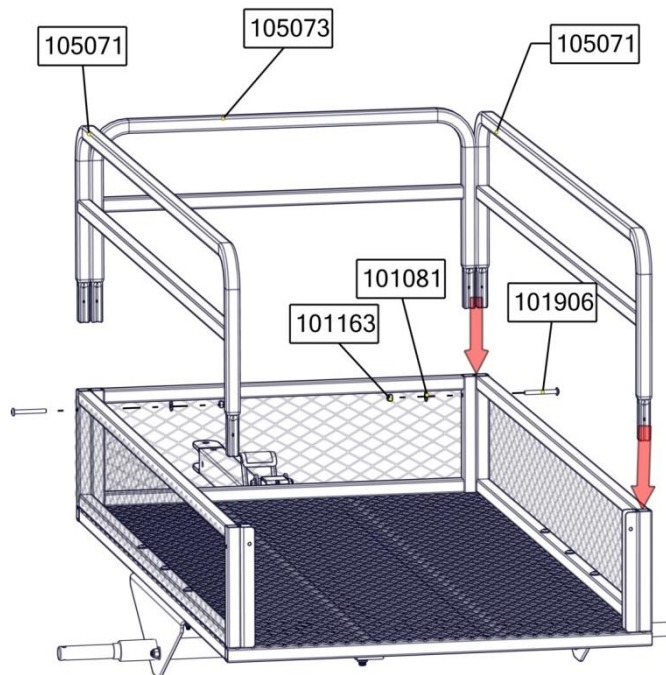
STEP-5

1. ATTACH TONGUE (105080) AS SHOWN
2. DO NOT OVER TIGHTEN (105080) SHOULD ROTATE FREELY.



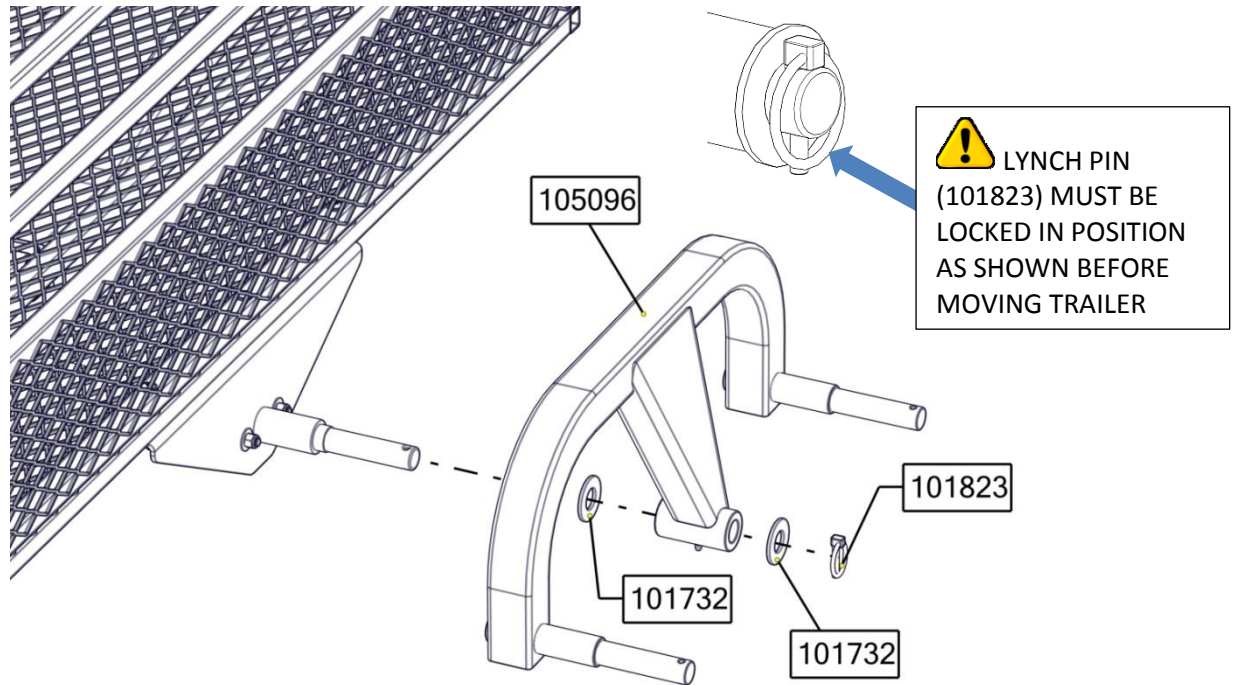
STEP-6

1. INSERT EXTENSION RAILS AND TIGHTEN IN PLACE AS SHOWN



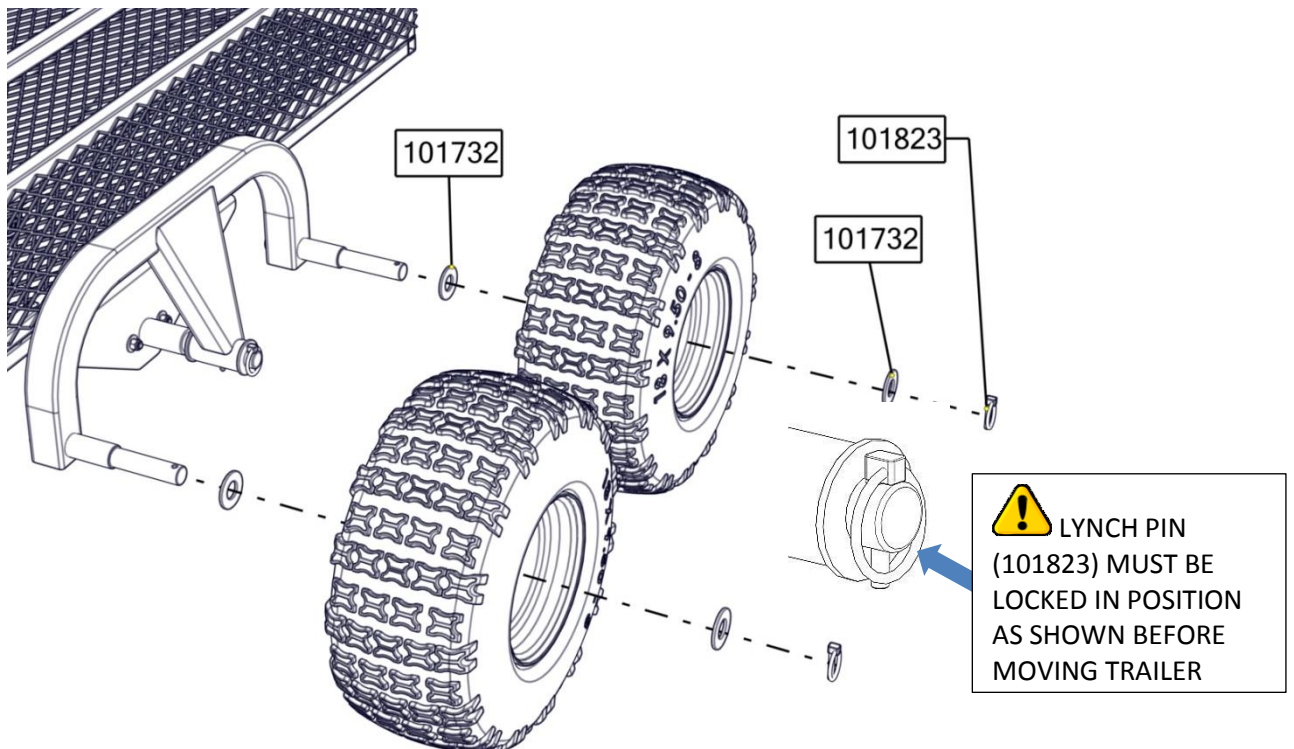
STEP-7

1. ATTACH TANDEM ARMS AS SHOWN



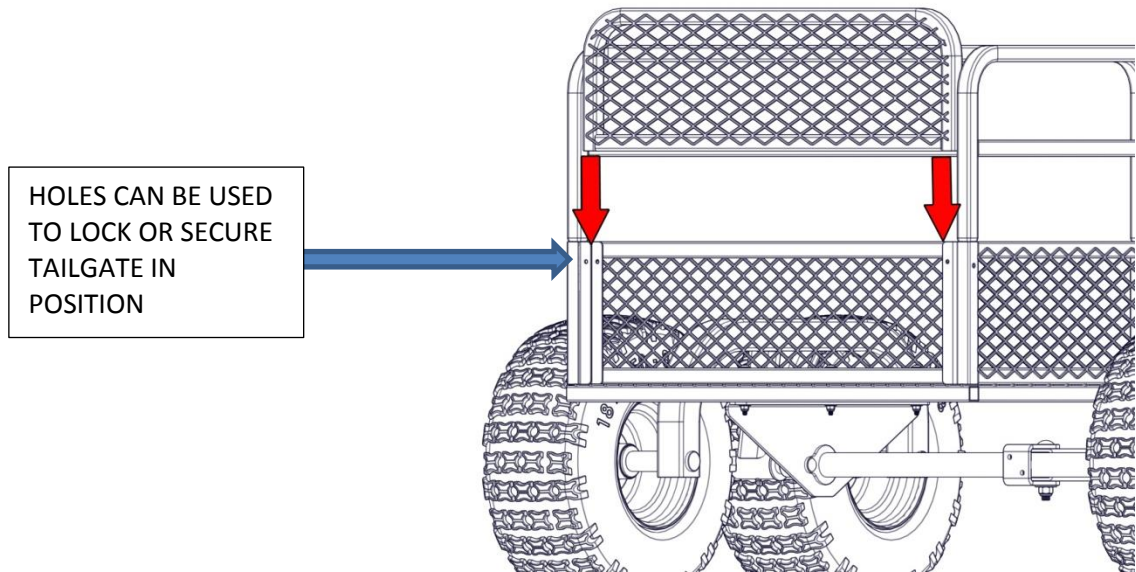
STEP-8

1. ATTACH WHEELS AS SHOWN.



STEP-9

1. SLIDE TAILGATE BETWEEN BRACKETS

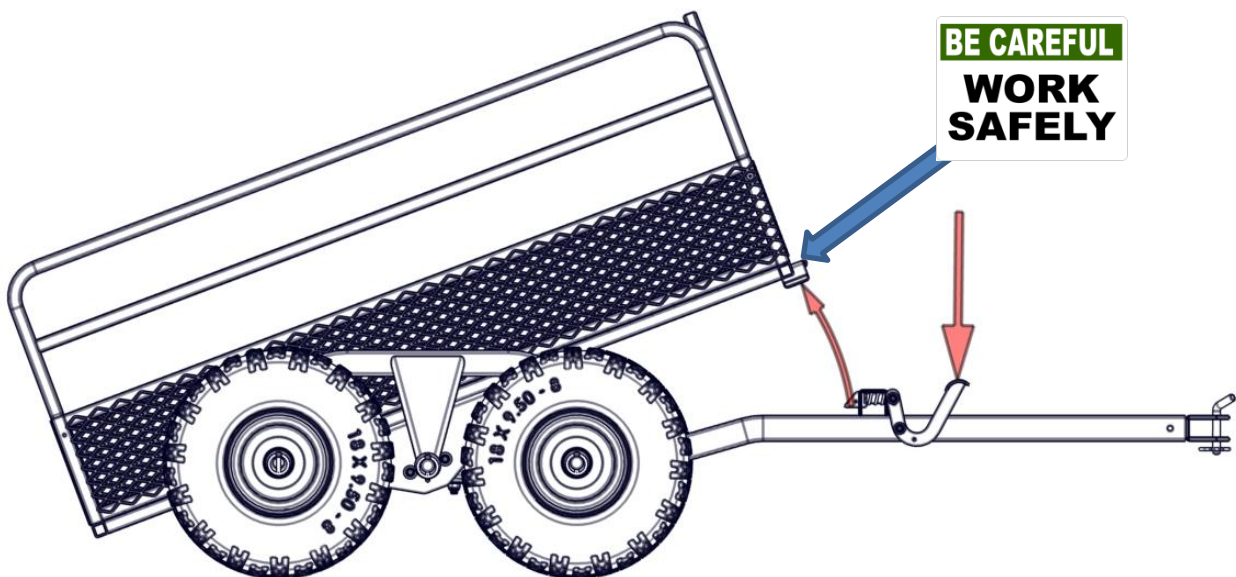


TRAILER BOX DUMP AND TILT

1. USING FOOT, PUSH DOWN ON FOOT PEDAL TO RELEASE TRAILER BOX

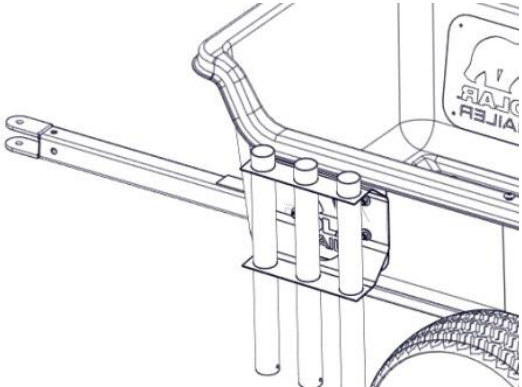
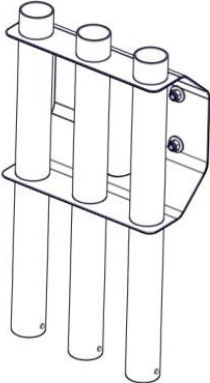


KEEP CLEAR OF ROTATING BOX AREA TO AVOID INJURY



VISIT OUR WEB-SITE FOR ADDITIONAL ACCESSORIES THAT MAY BE AVAILABLE FOR YOUR TRAILER

TOOL RACK
PART# 110517



TOOL ORGANIZER
PART# 110518

