

# Assembly Instructions

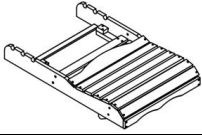







**Caution : You must read this before you proceed**



## **RECLINING ADIRONDACK**










**CAUTION :** This Reclining Adirondack is NOT a TOY.  
Keep your child / children at bay during the assembly process.  
For moving the Reclining Adirondack and to prevent damage to the  
Reclining Adirondack, two adults are needed to execute this action.

## Parts List

Label	Picture	Description	QTY
A		Seat Panel with Footrest	1
B		Backrest	1
C		Left Front Leg	1
D		Right Front Leg	1
E		Support Bar of Front Leg	1
F		Left Armrest	1
G		Right Armrest	1
H		Support Bar of Left Armrest	1

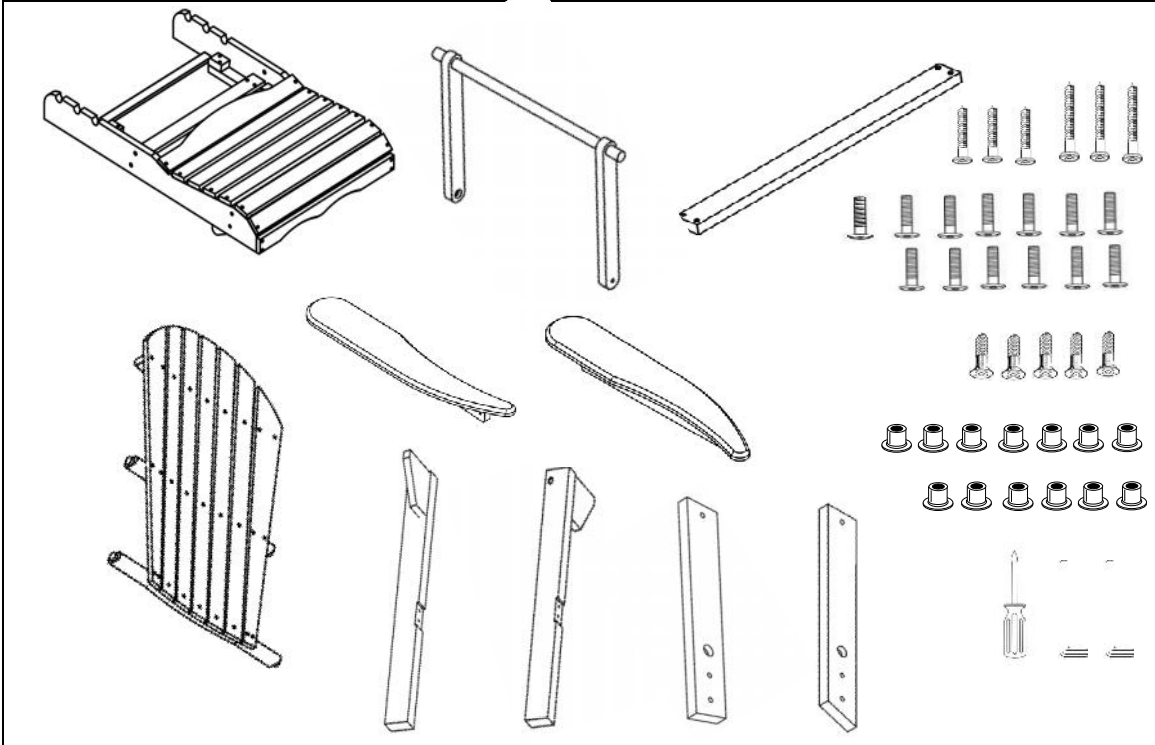
I		Support Bar of Right Armrest	1
K		Recliner	1

## Hardware

Label	Picture	Description	QTY
①		Bolt (M8x35mm)	13
②		Sleeve Nut (M8x15mm)	13
③		Long Screw (M7x70mm)	3
④		Short Screw (M7x40mm)	3
⑤		Screw (M4x30mm) (Use with Screwdriver)	5
⑥		Allen Key	2
⑦		Screwdriver	Not Provided

# Assembly Preparation

Before Beginning Assembly:



• Read instructions, cover to cover-



• Have 2 adults on hand for assembly-



• Do not assemble on flooring or carpet-



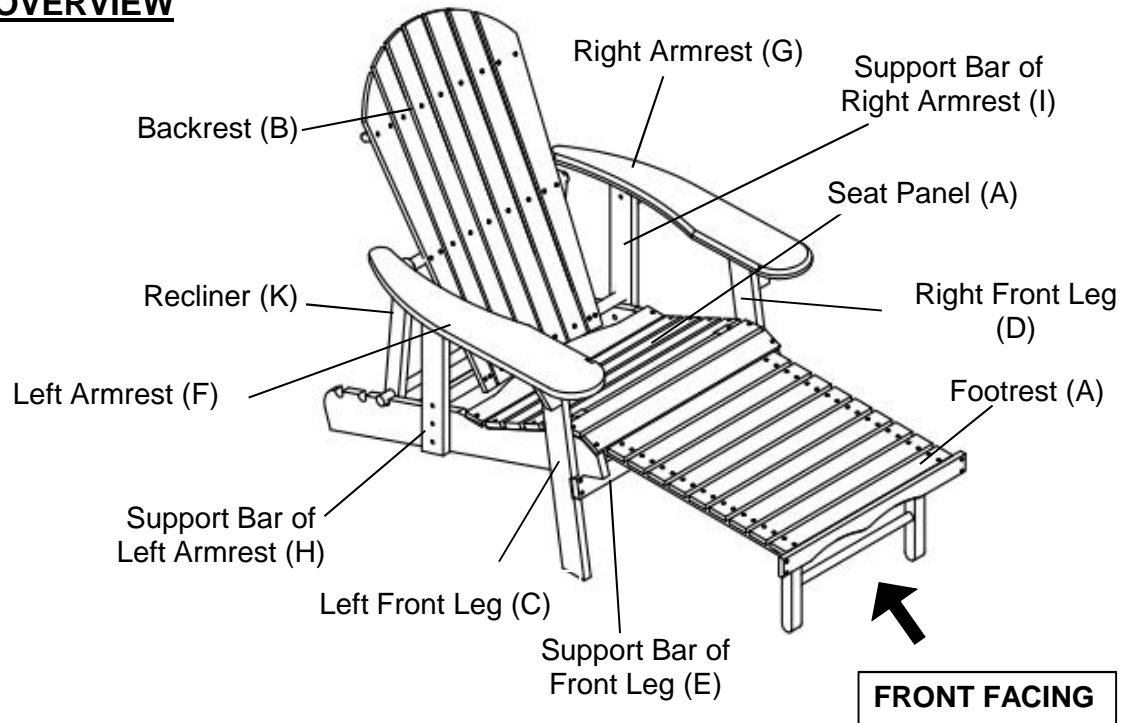
• Assemble on a clean non-marring surface (packing foam)-



• Save all packaging until finished-

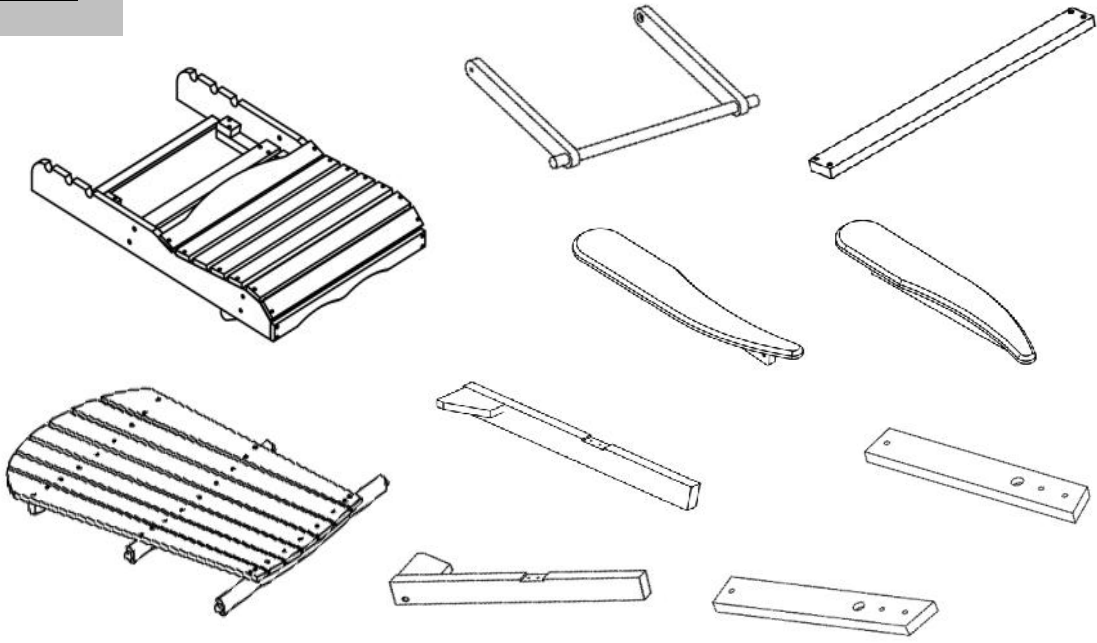
## Assembly Steps

### **OVERVIEW**



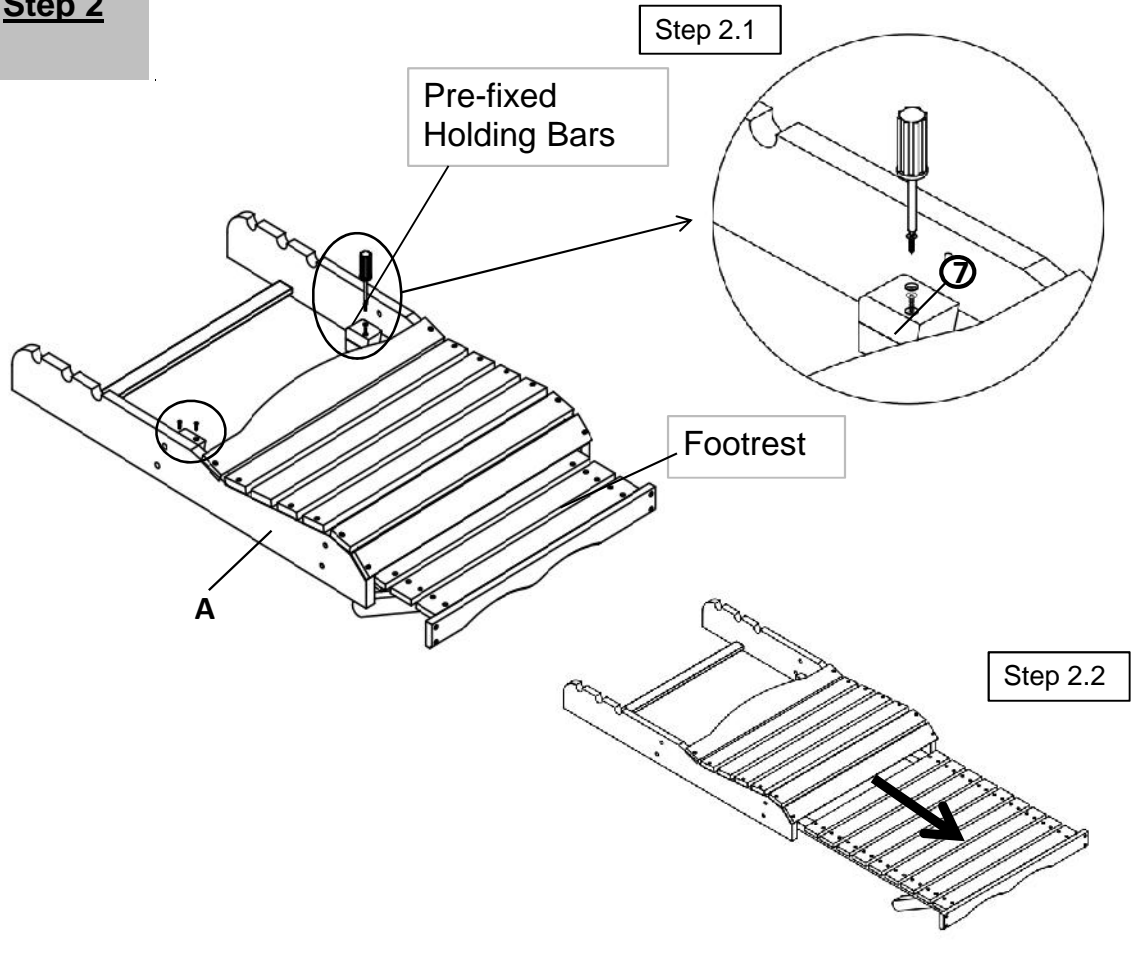
This Reclining Adirondack has multiple parts and may require up to 30 minutes to assemble. To give you an overview of the Reclining Adirondack parts, the above picture is to help you put the various parts into perspective. Please read through the instructions below to familiarise yourself with the parts and steps before assembly.

**Step 1**



Unpack and place all parts on a clean, non-marring surface.

## Step 2



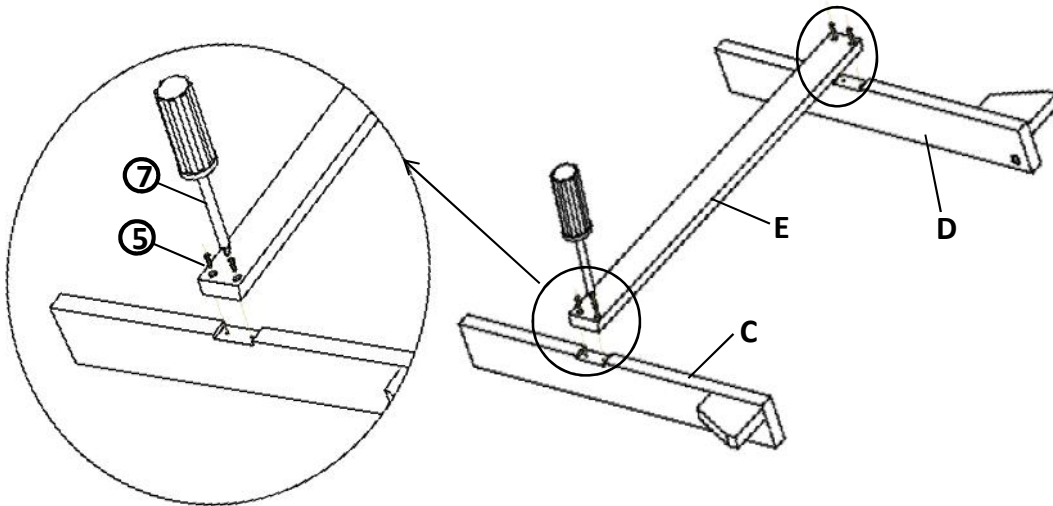
Place the Seat Panel with Footrest(A) onto a clean, non-marring surface.

**2.1)** Remove pre-fixed holding bars of the Footrest that are inside Seat Panel by using Screwdriver(⑦)

**2.2)** Pull the Footrest out of the Seat Panel as indicated by the arrow .

**Note: Please keep the screws and holding bars and put aside for Step 8**

### Step 3

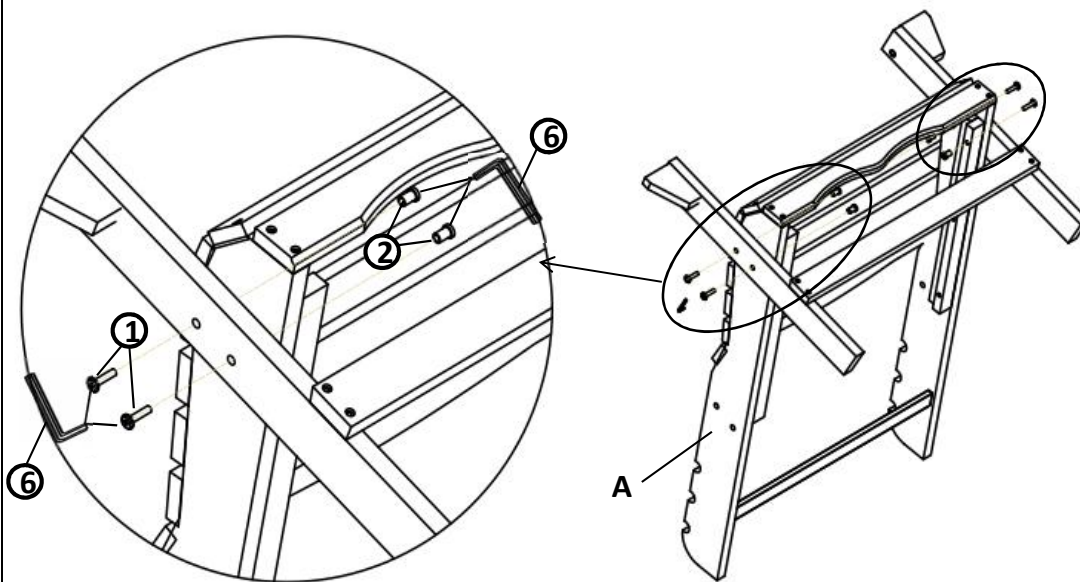


Attach Support Bar of Front Leg(E) to Left Front Leg(C) and Right Front Leg(D) using Screws( ) with Screwdriver( ).

(5)

(7)

### Step 4



Stand the Seat Panel(A) vertically as shown in the picture.

With the assistance of an adult helper, secure Front Leg Frame from Step 3 to Seat Panel(A) using Bolts( ), and Sleeve Nuts( ) with Allen Keys( ).

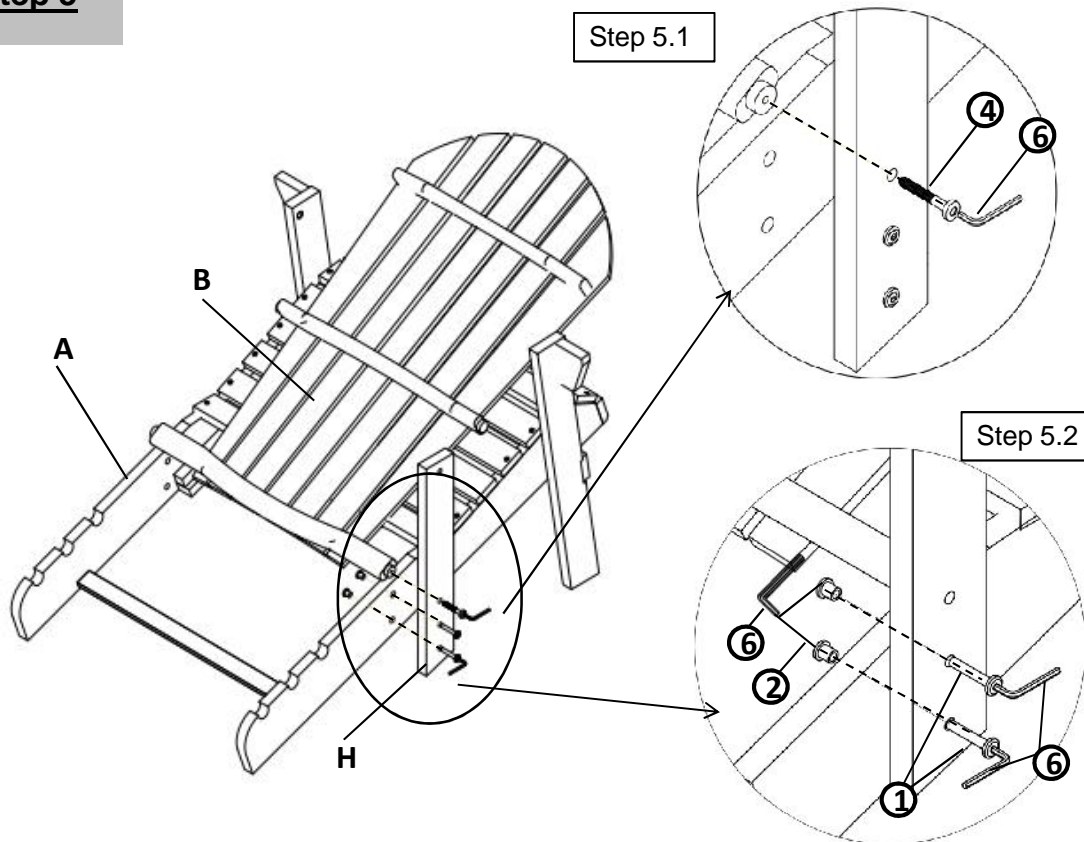
**Do not fully tighten the Bolts.**

(2)

(6)



## Step 5



Place the Backrest(B) onto Seat Panel(A) as shown in the picture.

**5.1)** Secure Support Bar of Left Armrest(H) to Backrest(B) using Short Screw( ) with Allen Key( ).

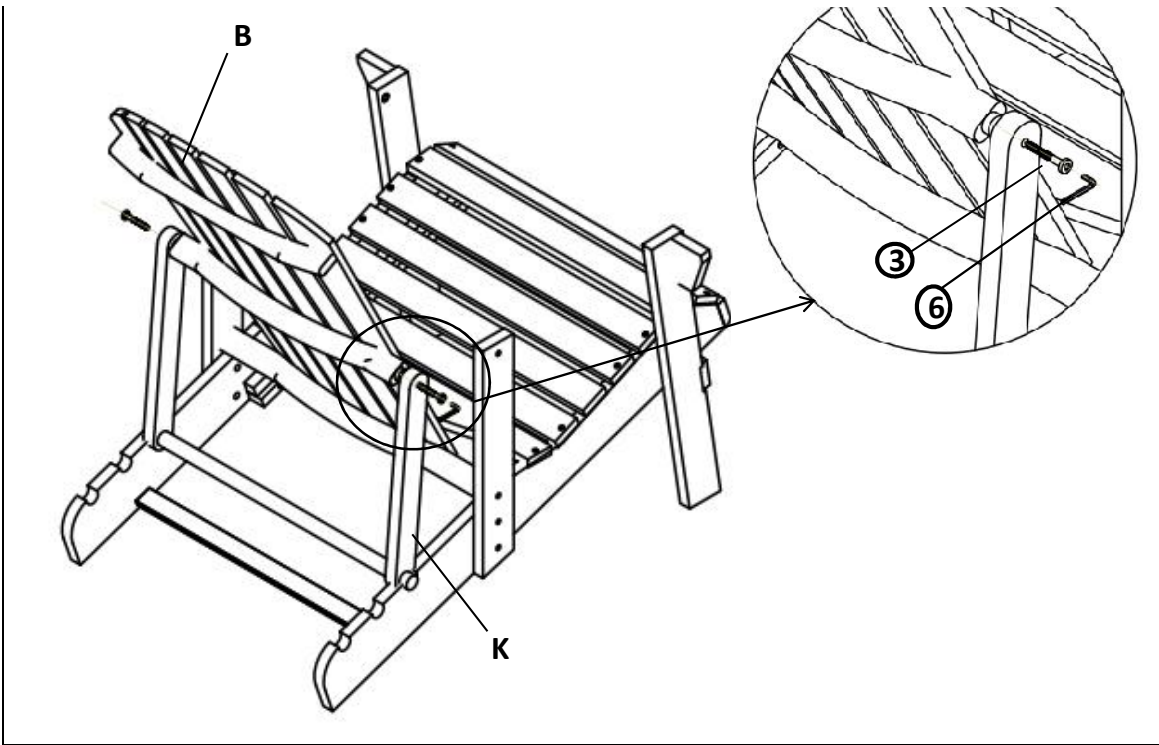
**5.2)** Secure Support Bar of Left Armrest(H) to Seat Panel(A) using Bolts( ), and Sleeve Nuts( ) with Allen Keys( ).

**Do not fully tighten Bolts and Screws.**

Repeat the same process with the Support Bar of Right Armrest(I).

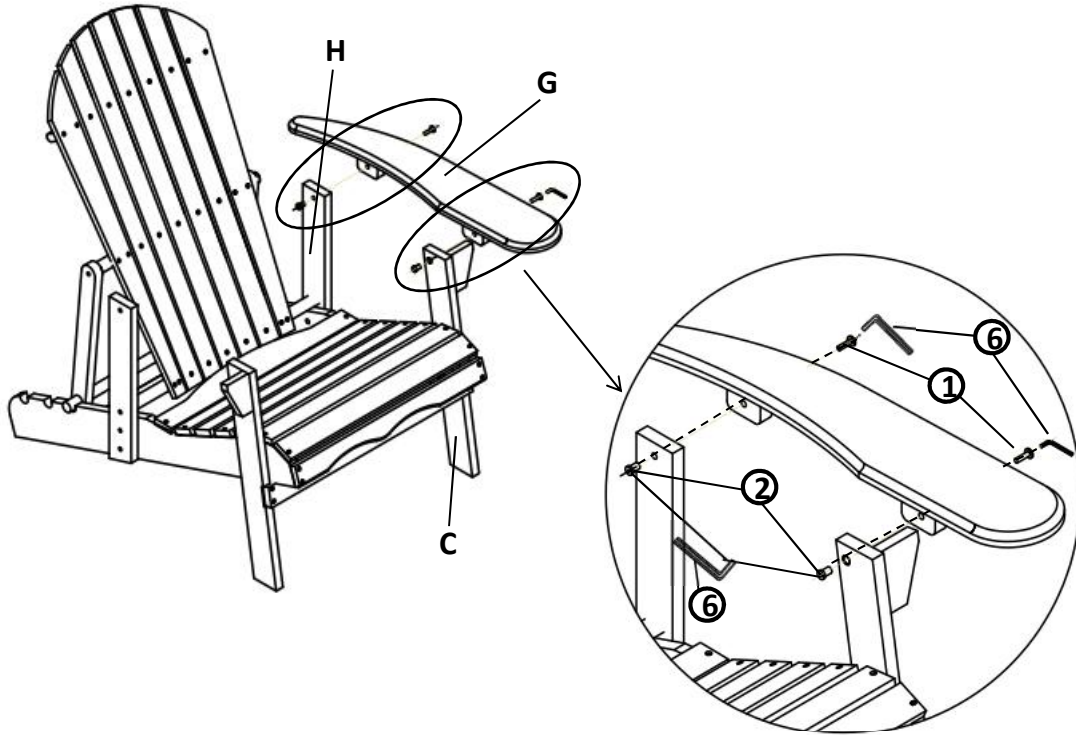
## Step 6





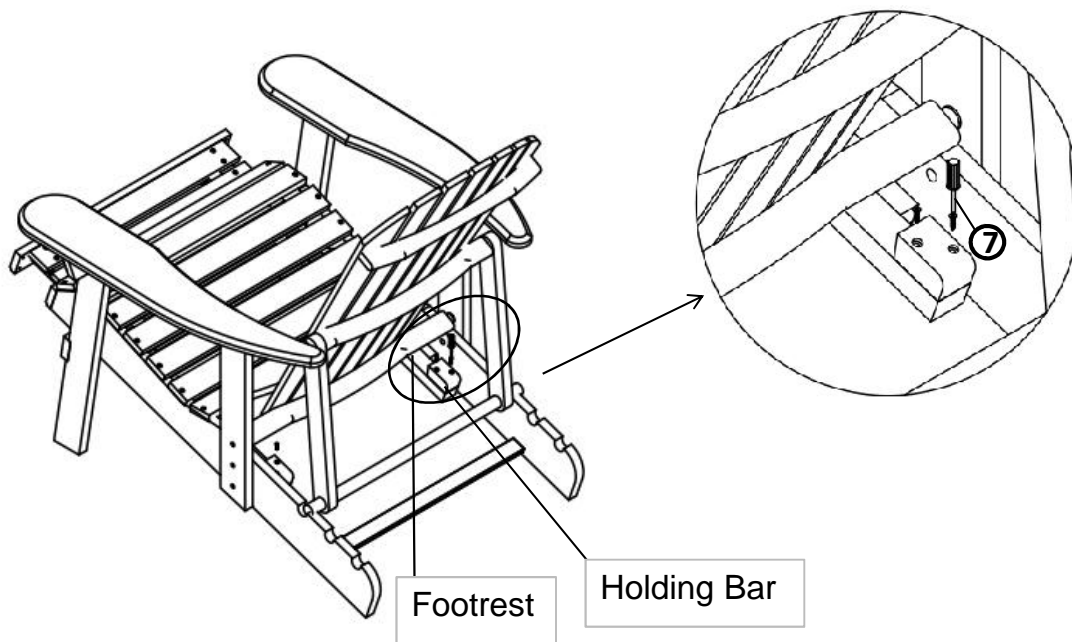
Position housing of Recliner(K) into oval mortise of Backrest(B).  
Secure Recliner(K) to Backrest(B) using Long Screws(3) with Allen Key(6)  
**Do not fully tighten the Screws.**

## Step 7



Attach Right Armrest(G) to Left Front Leg(C) and Support Bar of Left Armrest(H) using Bolts( 1 ), and Sleeve Nuts( 2 ) with Allen Keys( 6 ).  
**Do not fully tighten the Bolts.**  
Repeat the same process with Left Armrest(F).

## Step 8

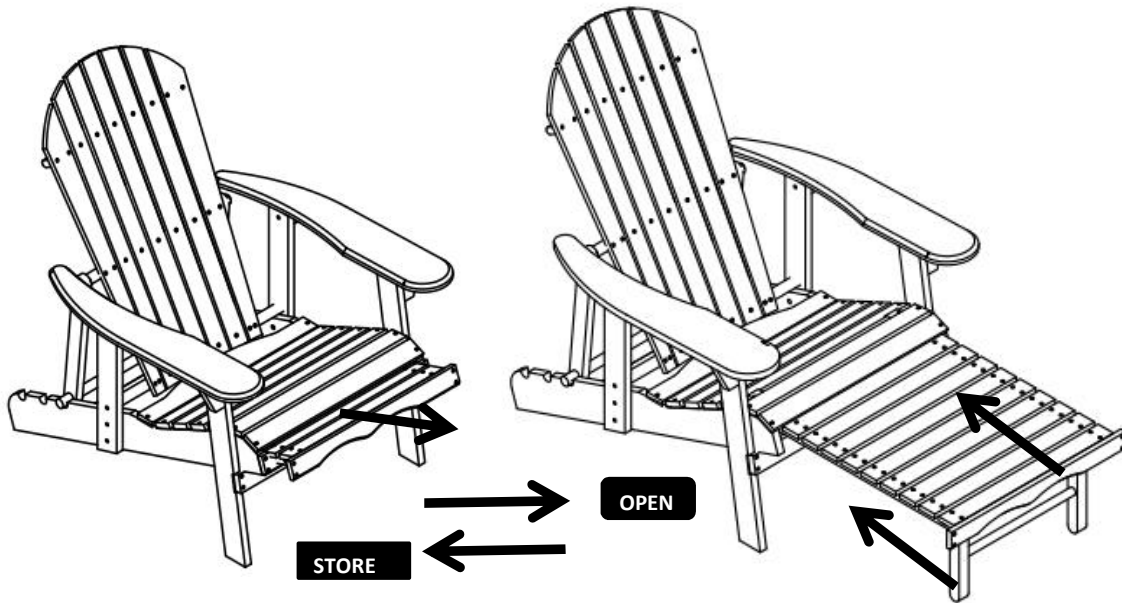


Reattach holding bars and screws from Step 2 to Footrest using Screwdriver( ).

The holding bars are to prevent the Footrest from falling out of the Seat Panel.

**In a sequential manner, tighten all Bolts and Screws at all joints until fully locked into position.**

## Step 9



Your Reclining Adirondack is ready for use.










**This Adirondack can only be used on a flat, level surface.**

**The Footrest can be stored under the Seat Panel when not in use.**

**To Open**, by hand, pull the Footrest outward and unfold the Footrest's Leg

**To Store**, by hand, fold the Footrest's Leg and push Footrest into under the Seat Panel

## Care & Maintenance

-  ● Do not put hot items directly on furniture surface
  -  ● Do not clean furniture with harsh cleansers or polish.
  -  ● To obtain the longest lifespan of your outdoor products, minimizing exposure to direct sunlight is recommended.
  -  ● Children should not climb or jump on the furniture.
  -  ● Do not write on furniture without a padded barrier to protect the surface.
  -  ● To obtain the longest lifespan of your outdoor products, avoid extended and lengthy exposure to rain, snow, and direct sunshine. Whenever possible cover the product and /or place under patio or awnings.
  -  ● Not for commercial use. For residential use only .
  -  ● Stains may be removed with mild soap solution and damp cloth.
- 
-  ● Dust and pick-up spills using a clean, non-colored, lint-free cloth .

### What is Proposition 65?

Proposition 65 is a California law that requires warning labels on products that may contain one of more than 800-plus chemicals or ingredients that the California Office of Environmental Health Hazard Assessment (OEHHA) has deemed to cause cancer or other reproductive toxicity. Chemicals and elements on this list include wood dust, brass, and other everyday substances, which can be found in very common household items, such as: lamps, tableware, jewelry, crystal glasses, electric cords, beauty products, automobiles, and furniture.

### Why Did I Find a Proposition 65 Warning on My Home Goods Product?

We include Proposition 65 warnings on all of our products because there is always a chance that one of the 800-plus common chemicals and ingredients listed under this law could potentially be on our furniture or packing materials. We risk large fines under this law, if we don't include this warning.

### Should I worry?

We realize you may be worried finding this warning on our products, but we want to reassure you that the hazardous exposure limits for any of these chemicals have never been found on furniture products that we've shipped to our customers. Additionally, this warning label is very common and can be found on almost every piece of furniture sold in the state of California.

### Just How Common Are Proposition 65 Warnings?

Proposition 65 warnings have become so common in California that it is hard to take a trip to a local bank, grocery store, or restaurant without finding at least one warning. In fact, even the Disney Land Resort has a Proposition 65 warning:

