

# ASSOS<sup>+</sup> | SONOMA<sup>™</sup> STYLE

## WALL FAN HEATER



SONOMA<sup>™</sup> STYLE



### ADD STYLE TO YOUR COMFORT

The SONOMA STYLE wall fan heater will add a touch of style to your heating with its sleek design, minimalist front cover and state-of-the-art, integrated, smart home-ready thermostat. This quiet but fast heating solution is perfect for any room. With the same footprint as most popular models, the SONOMA STYLE offers easy one-screw cover installation. Its impact-resistant facade makes it a safe and sustainable choice. Designed with the user experience in mind, the SONOMA STYLE fan heater provides optimal comfort to any room.

#### INNOVATIVE AND UNIQUE DESIGN

ADDS STYLE TO ANY DECOR  
HIGHLY SECURE FACADE

#### INTEGRATED, SMART HOME-READY THERMOSTAT AVAILABLE

#### VERY QUIET FAN HEATER

CAN BE INSTALLED IN A CHILD'S  
BEDROOM

#### QUICK AND EASY INSTALLATION

EASILY RETROFITS MOST POPULAR  
MODELS

#### COLOR

- white

#### FINISH

- epoxy-polyester powdercoat

#### MANUFACTURING

- 22-gauge steel cabinet and 20-gauge steel facade
- thermal protection with manual reset
- additional thermal protection with a thermal fuse (must be replaced if triggered)

#### ELEMENT

- nichrome element produces instant heat

#### CONTROL

- built-in electronic thermostat (optional)
- built-in MAESTRO smart thermostat (optional)
- wall thermostat (not included) – the use of an electronic thermostat is strongly recommended

#### INSTALLATION

- recessed
- wall mounted with surface adapter (optional)

#### WARRANTY

- five years, \*three years on electronic components

CONTROL THE TEMPERATURE OF YOUR HOME  
FROM YOUR SMARTPHONE, TABLET OR COMPUTER



HARMONIZES WITH  
**MAESTRO**

**zigbee**  
COMPATIBLE CONTROLLER  
REQUIRED

FOR HOME AUTOMATED SYSTEM COMPATIBILITIES AND INSTRUCTIONS ON CONNECTING TO YOUR THERMOSTAT. REFER TO WWW.STELPRO.COM.

#### IDEAL FOR:

bedroom, living room, kitchen, hallway, bathroom

### ACCESSORIES

PRODUCT	DESCRIPTION	PRICE
ASSOBB6	back box (6)	142.50
ASSOSAW	surface adapter (white)	93.00

**STELPRO**

°STELPRO reserves the right to modify descriptions, manufacturing specifications or prices without prior notice. No returns accepted on optional-color products. For all the latest models and prices, please refer to our website at www.stelpro.com. † Patent pending



FC\_ASSOS\_US\_291018

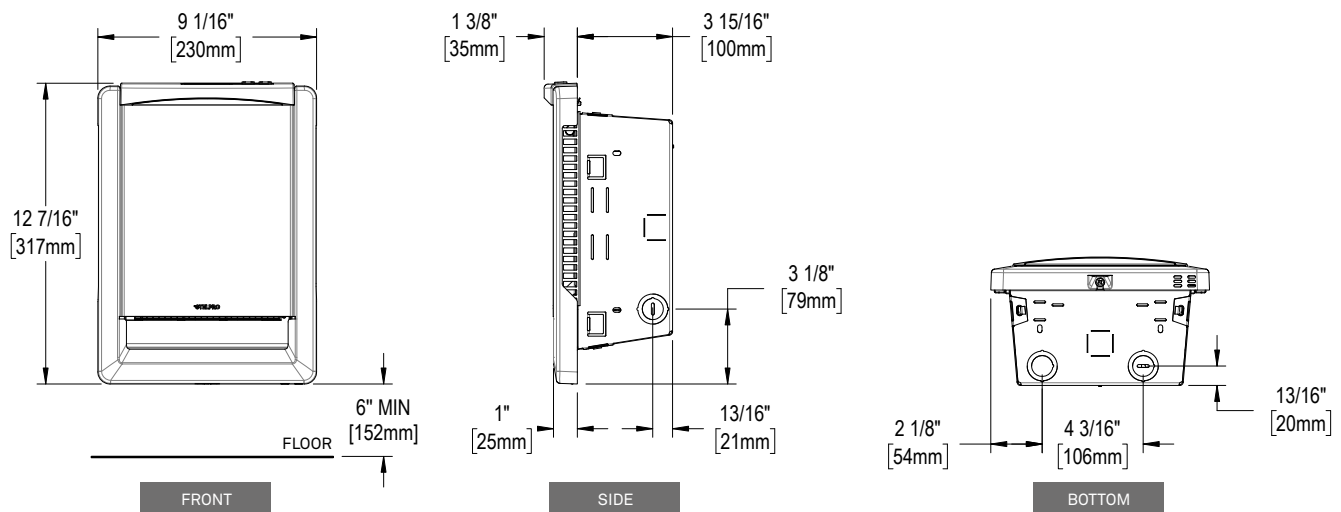


## TECHNICAL SPECIFICATIONS

WITHOUT CONTROL				BUILT-IN THERMOSTAT				BUILT-IN MAESTRO THERMOSTAT				VOLTAGE	HEIGHT	LENGTH	WEIGHT
CODE	WATTS*	BTU/H	PRICE	CODE	WATTS	BTU/H	PRICE	CODE	WATTS	BTU/H	PRICE	VOLTS	IN.	IN.	LB
ASSOS1001WCW	1000 or 500	3413 or 1706	227.50	ASSOS1001W	1000	3413	325.50	ASSOS1001MW	1000	3413	372.00	120	12 7/16	9 1/16	7.2
ASSOS1008WCW	1000 or 500	3413 or 1706	227.50	ASSOS1008W	1000	3413	325.50	ASSOS1008MW	1000	3413	372.00	208	12 7/16	9 1/16	7.2
ASSOS1002WCW	1000/500 or 750/375	3413/1706 or 2560/1280	227.50	ASSOS1002W	1000/ 750	3413/ 2560	325.50	ASSOS1002MW	1000/ 750	3413/ 2560	372.00	240/208	12 7/16	9 1/16	7.2
ASSOS1501WCW	1500 or 750	5119 or 2560	227.50	ASSOS1501W	1500	5119	325.50	ASSOS1501MW	1500	5119	372.00	120	12 7/16	9 1/16	7.2
ASSOS1502WCW	1500/750 or 1125/560	5119/2560 or 3839/1911	227.50	---	---	---	---	---	---	---	---	240/208	12 7/16	9 1/16	7.2
ASSOS2008WCW	2000 or 1000	6825 or 3413	227.50	ASSOS2008W	2000	6825	325.50	ASSOS2008MW	2000	6825	372.00	208	12 7/16	9 1/16	7.2
ASSOS2002WCW	2000/1000 or 1500/750	6825/3413 or 5119/2560	227.50	ASSOS2002W	2000/ 1500	6825/ 5119	325.50	ASSOS2002MW	2000/ 1500	6825/ 5119	372.00	240/208	12 7/16	9 1/16	7.2

Add WBB for unit without back box (available for U.S. market only).  
 \*Choice of power at installation for models without control only

## TECHNICAL DRAWINGS



STELPRO reserves the right to modify descriptions, manufacturing specifications or prices without prior notice. No returns accepted on optional-color products.  
 For all the latest models and prices, please refer to our website at [www.stelpro.com](http://www.stelpro.com).