



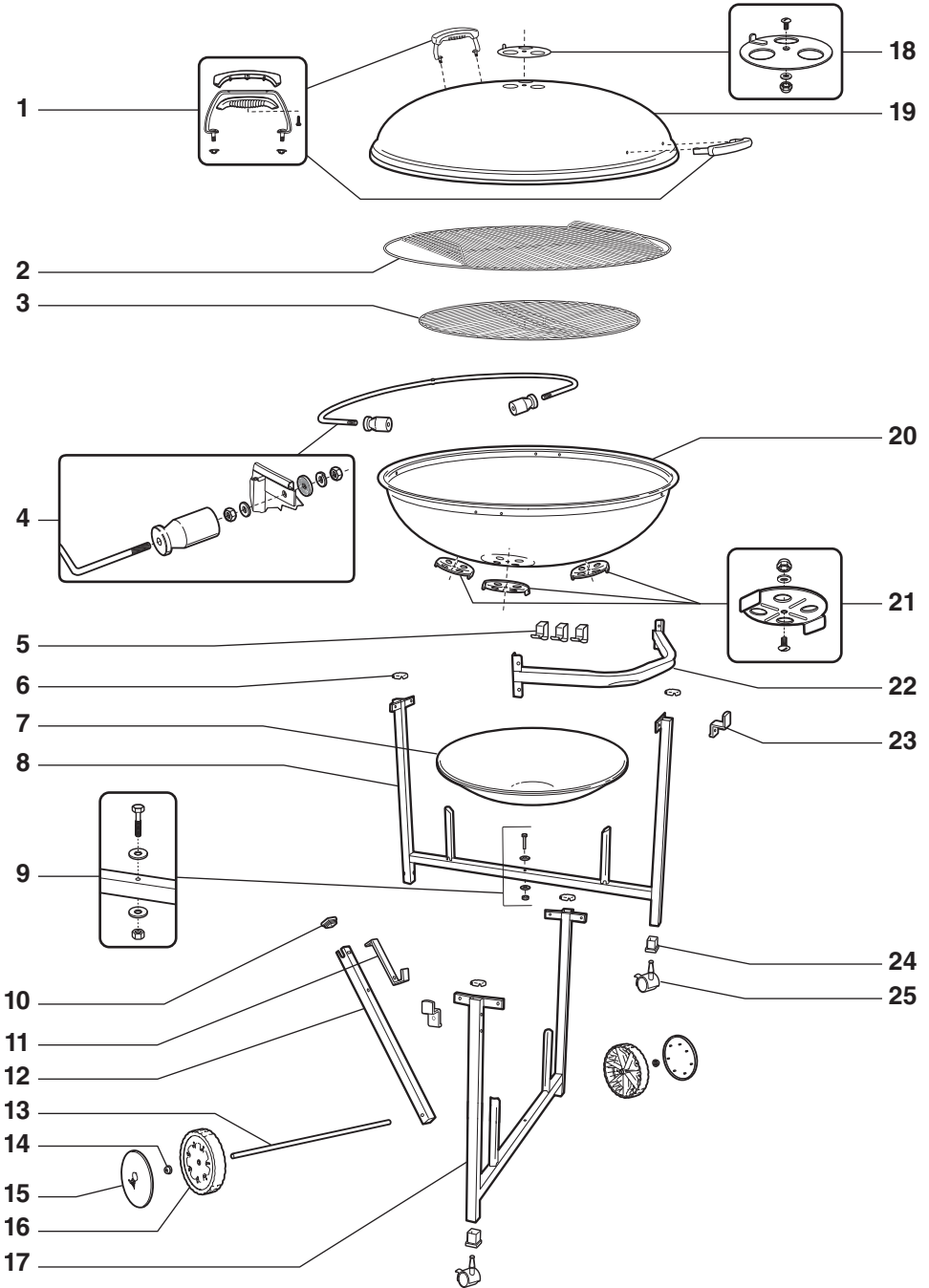
# RANCH® KETTLE

37½ inch  
(95 cm)



56693\_022811

Ranch Kettle 37½ (95cm) 122410

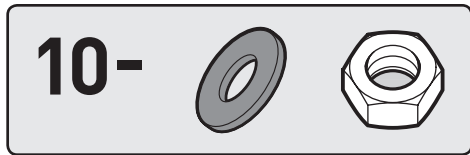
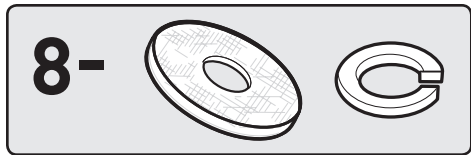
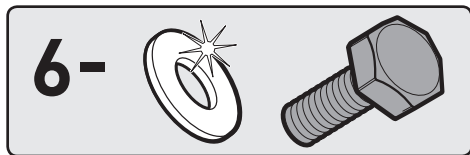
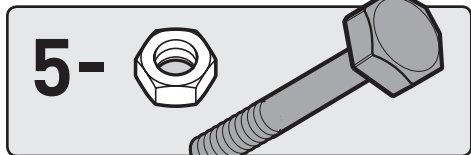
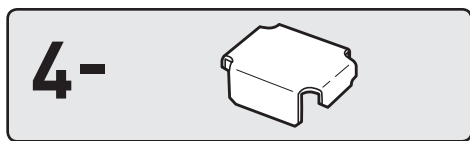
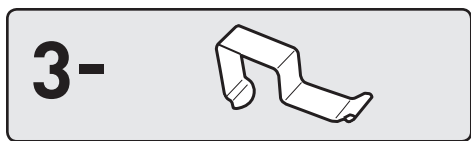
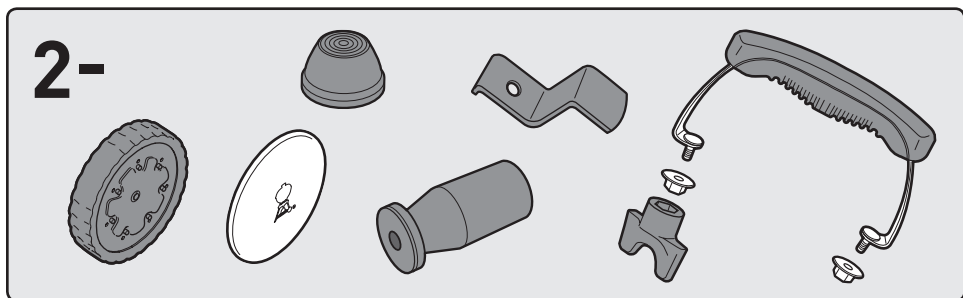
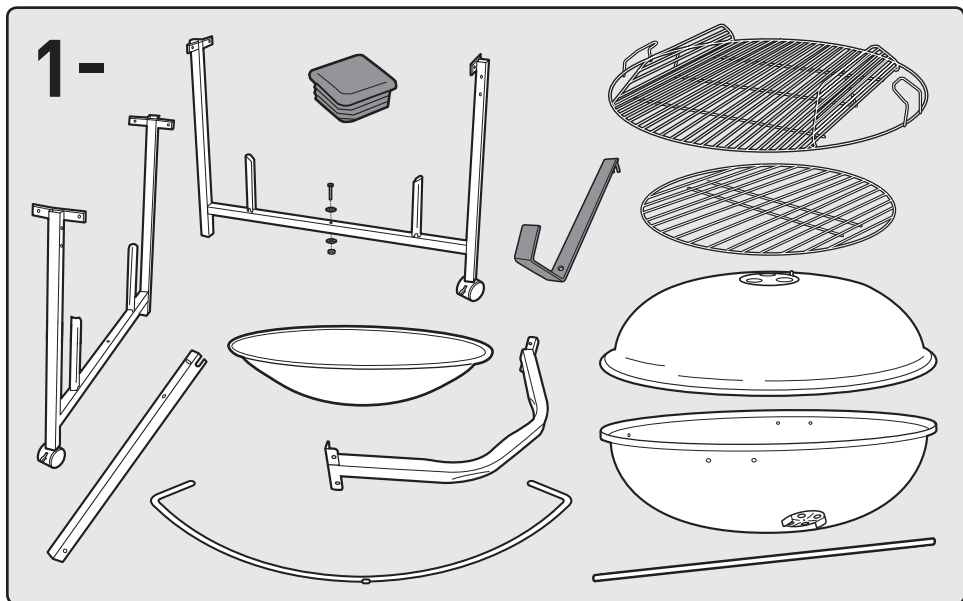


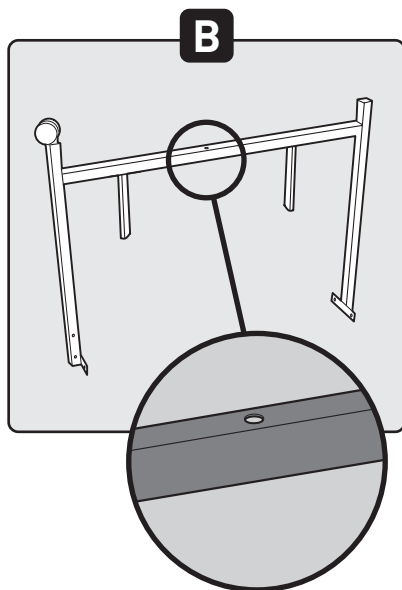
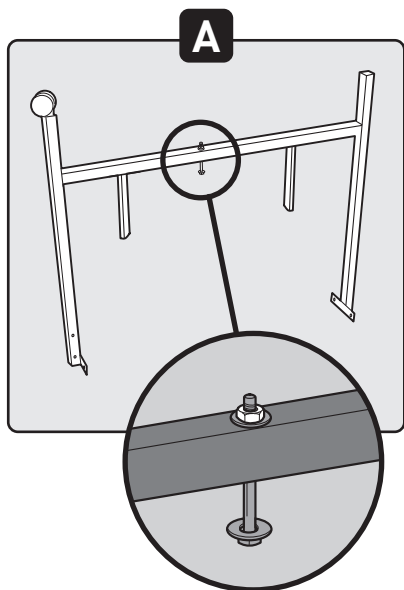
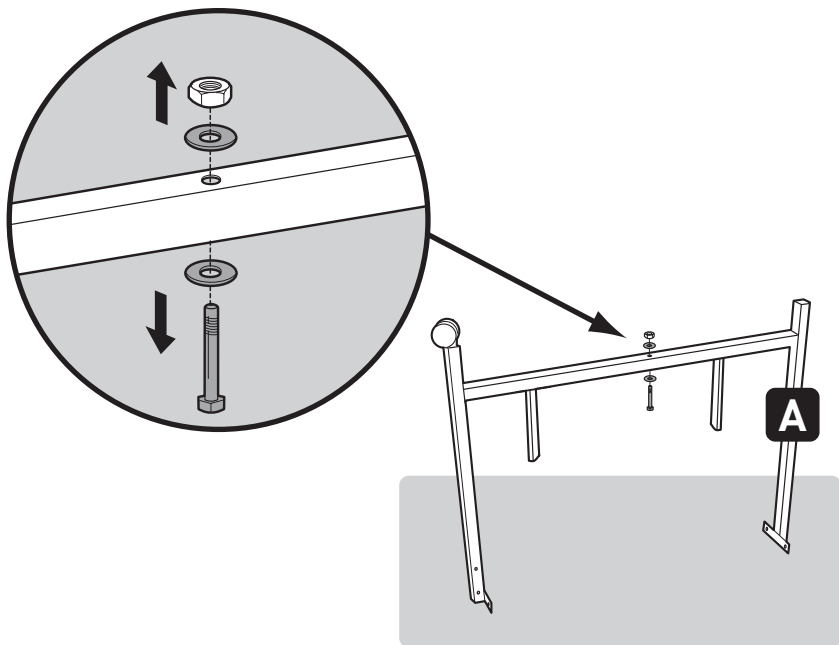


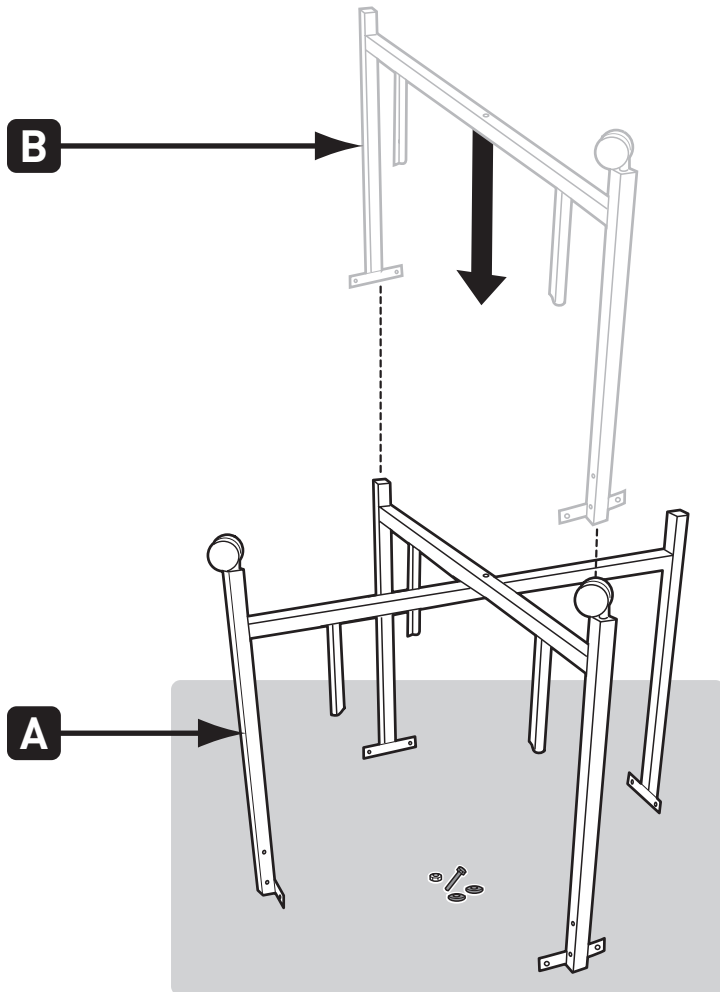
- 1/2"



- 7/16"



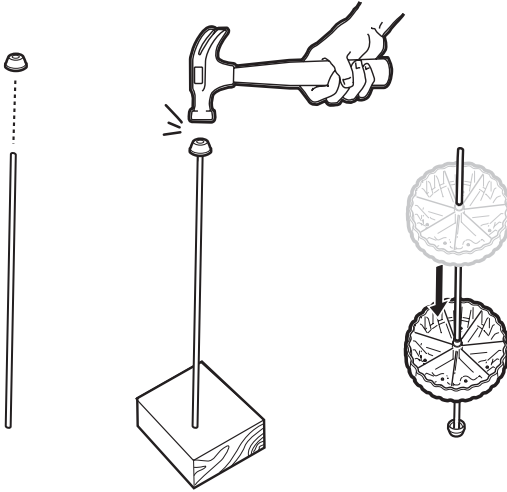
**1****2**



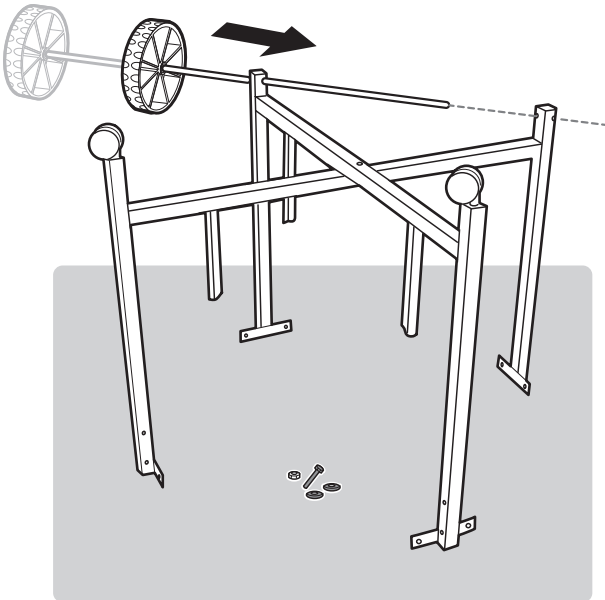
4



1-

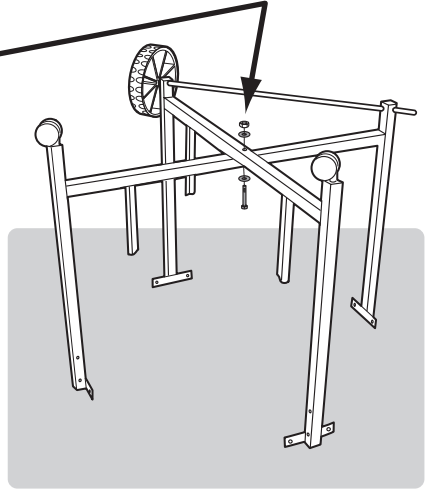
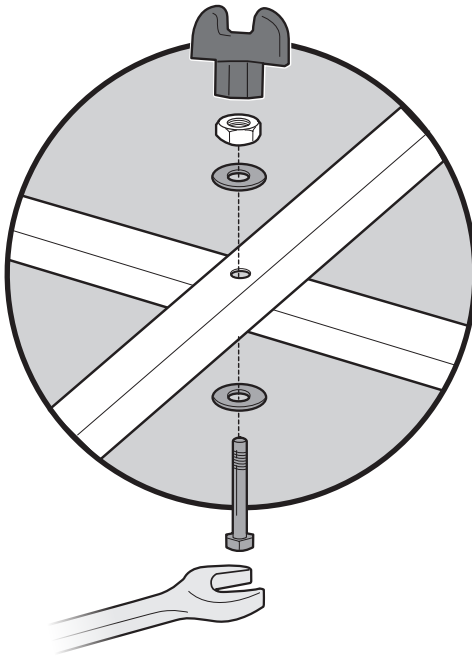
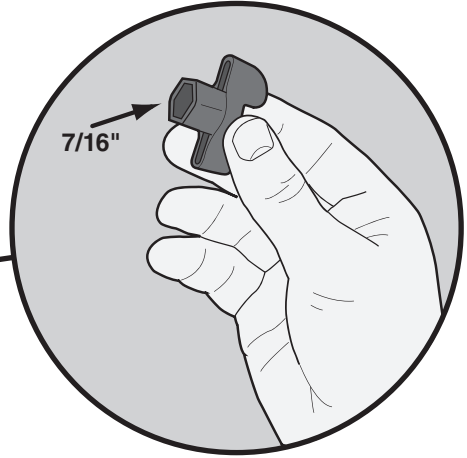
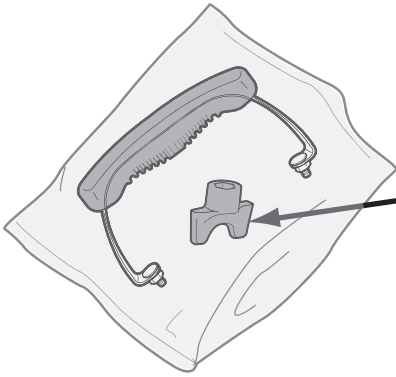


5

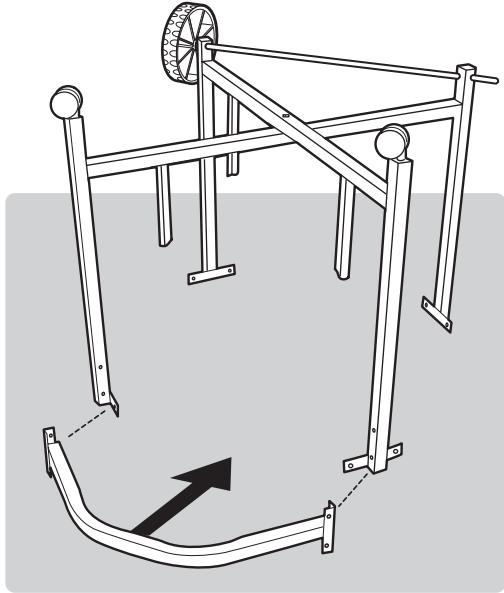
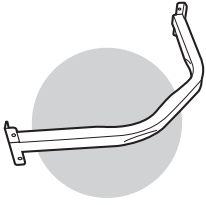




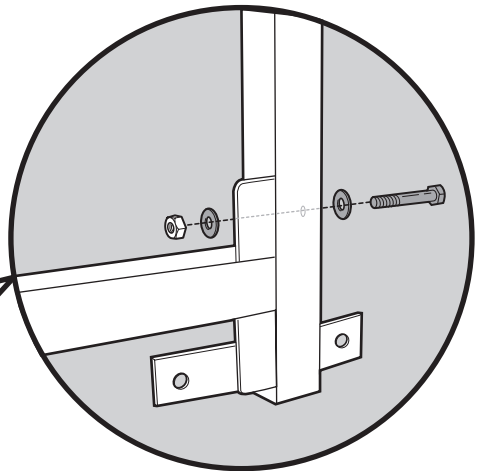
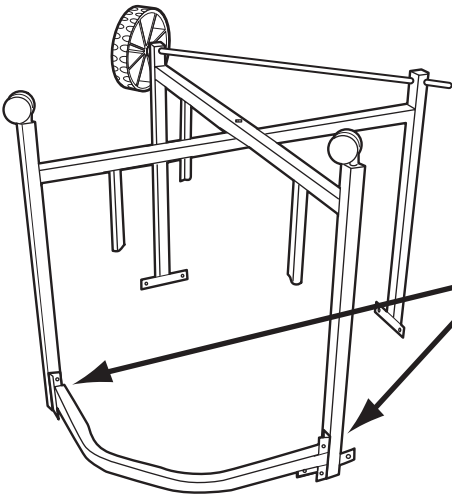
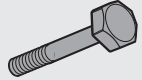
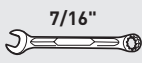
7/16"



7

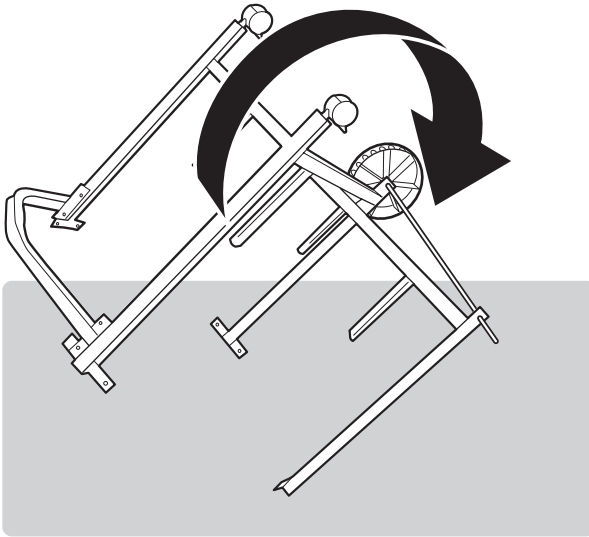


8

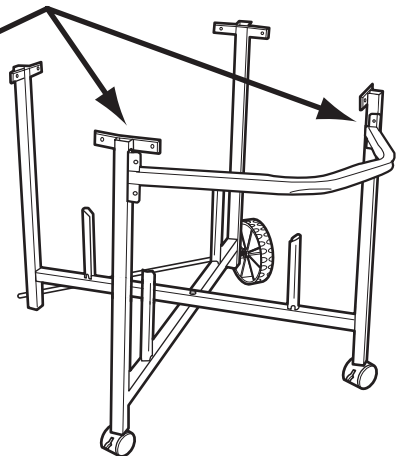
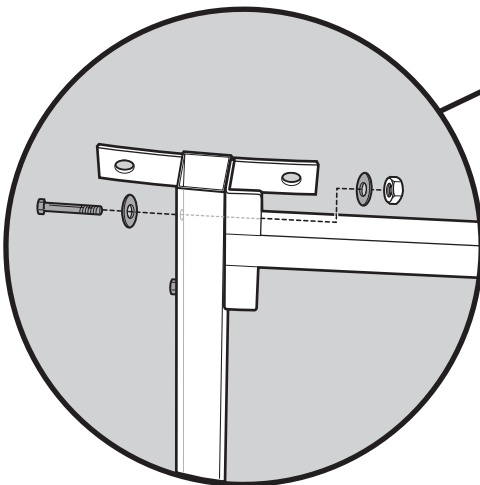
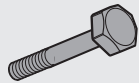
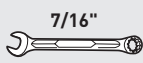




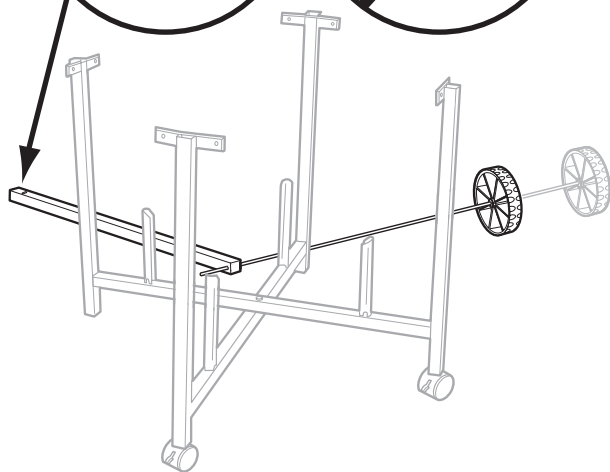
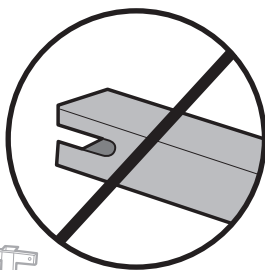
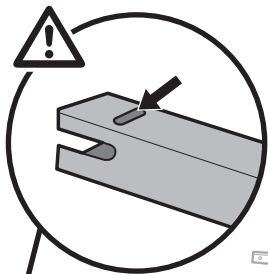
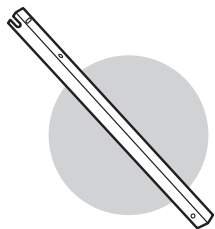
9



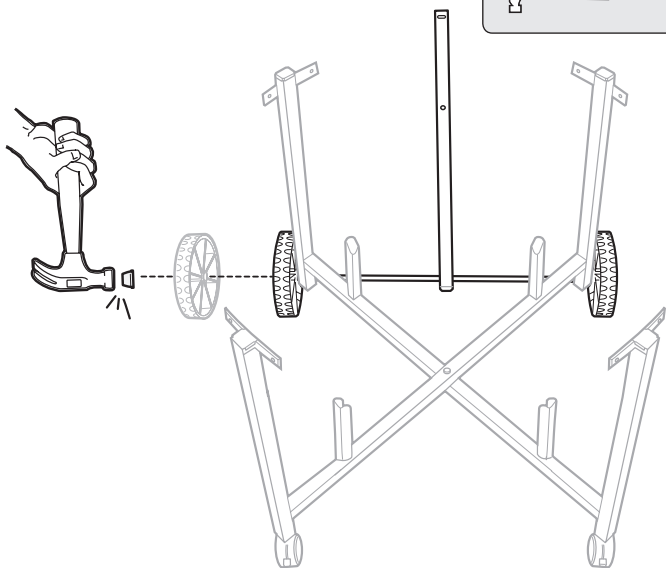
10



11

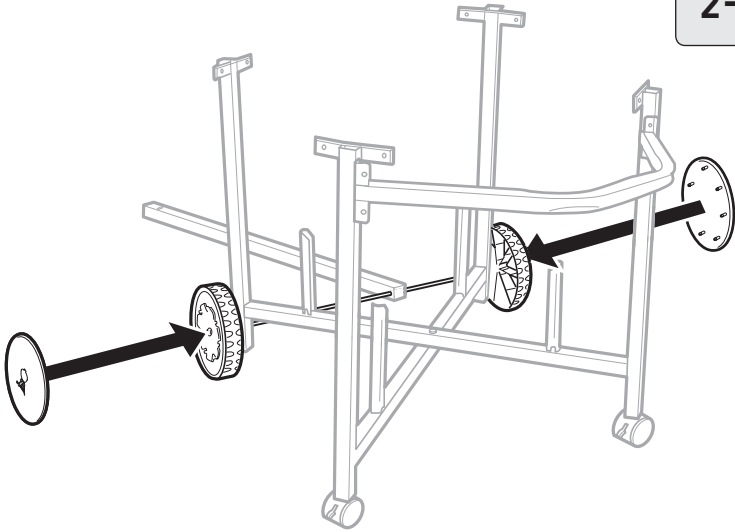


12



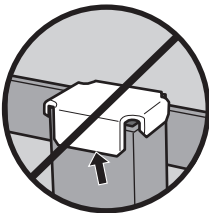
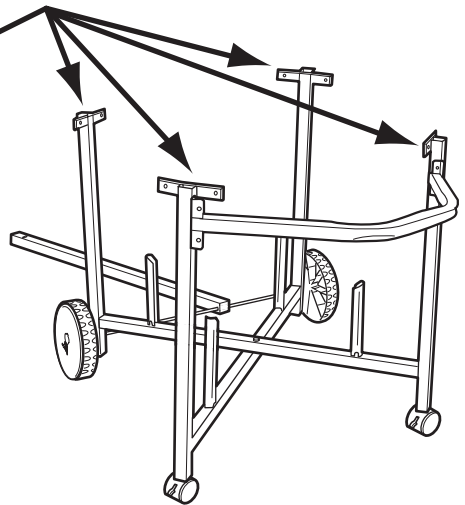
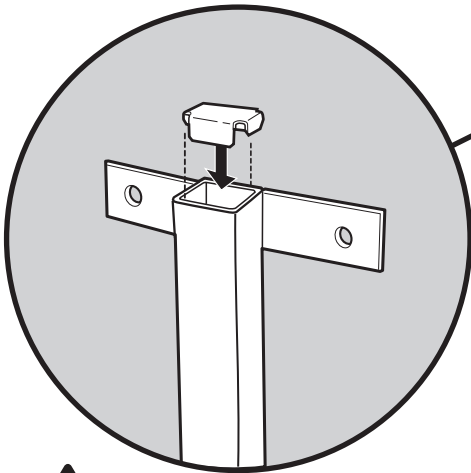
13

2-

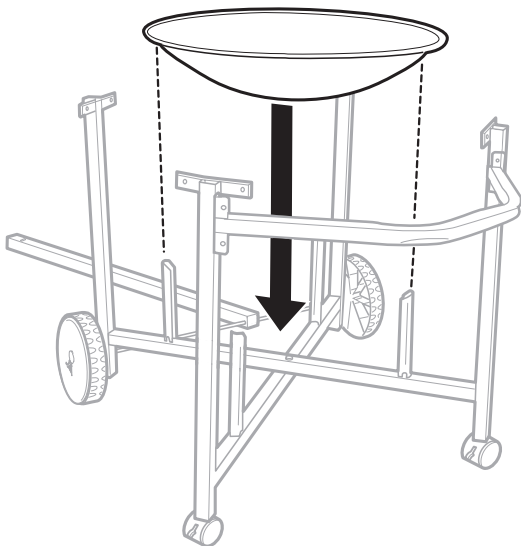


14

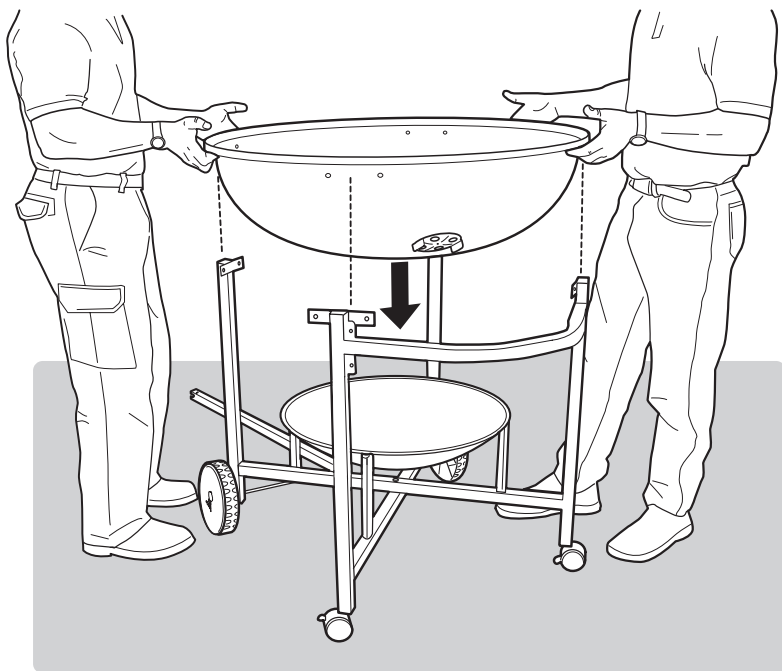
4-



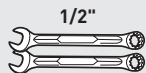
15



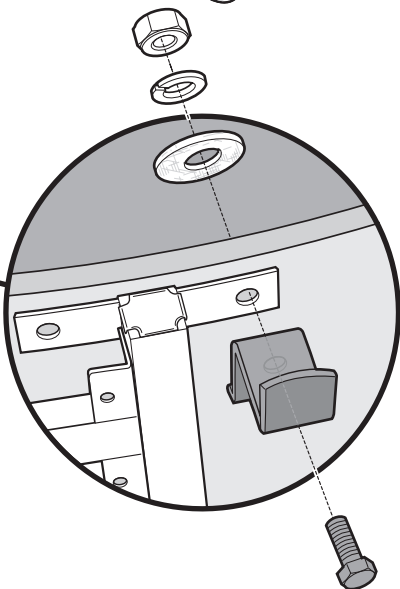
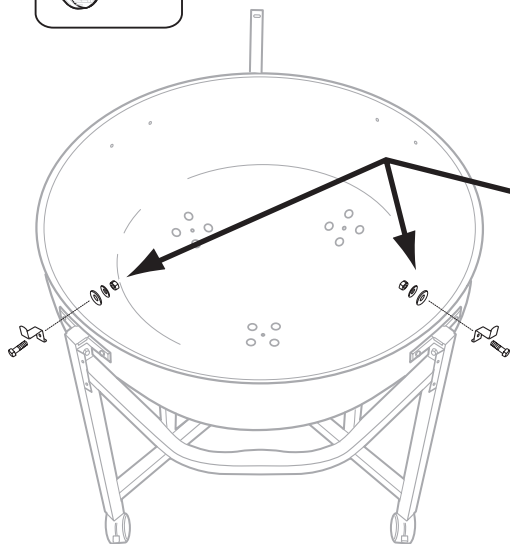
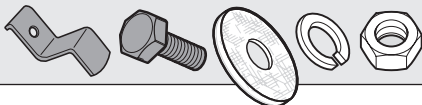
16



17

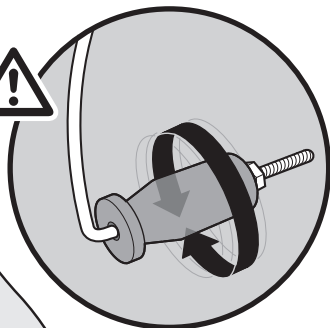
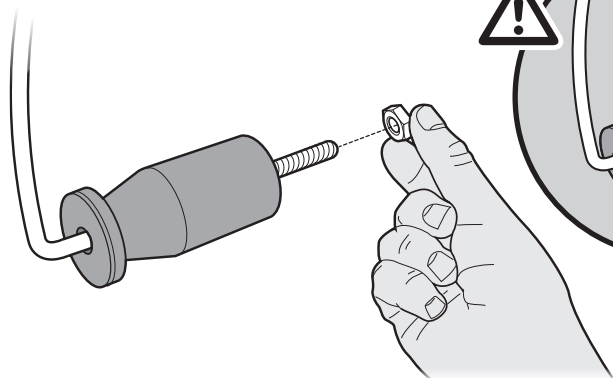
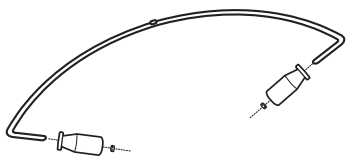


2-

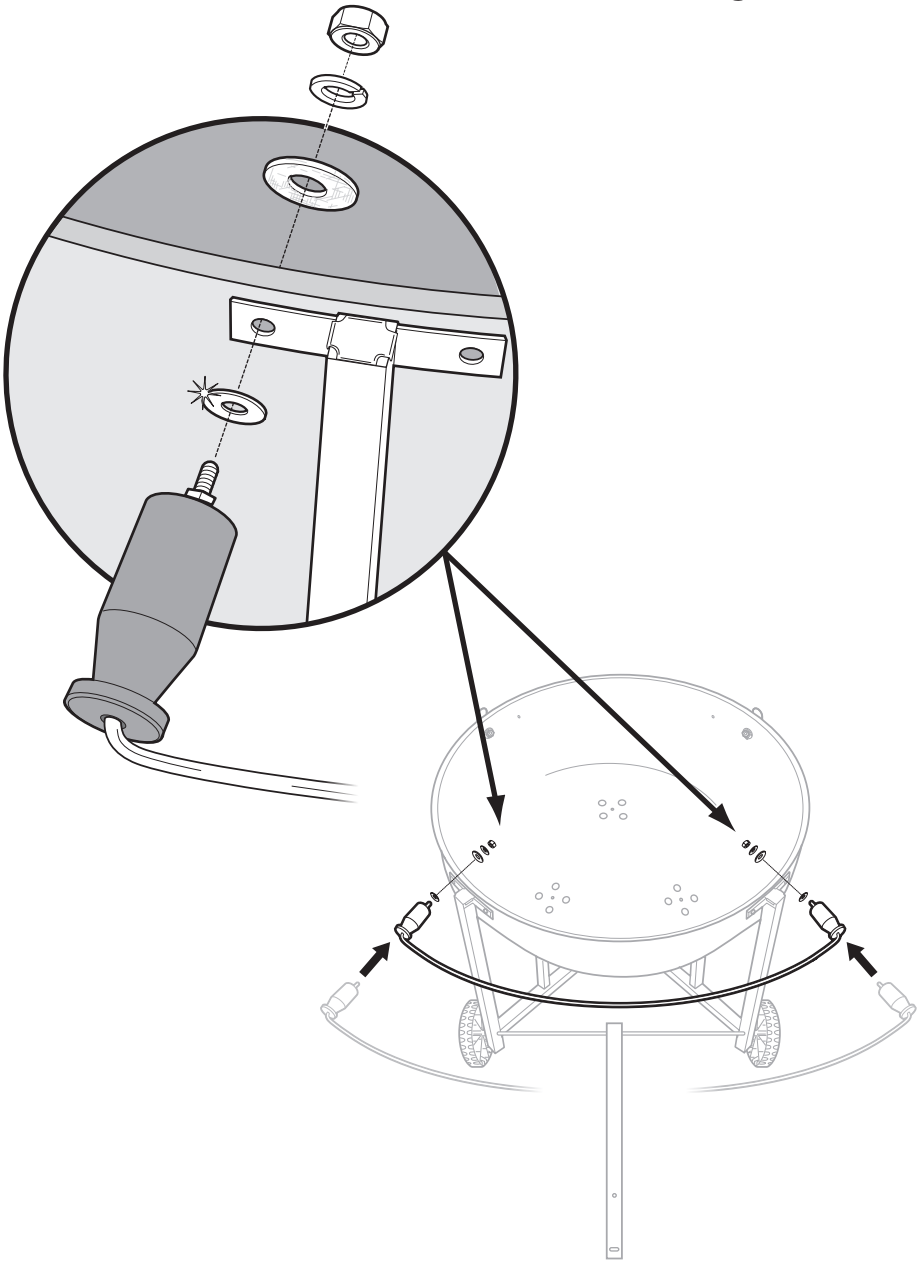


18

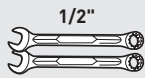
2-



1/2" 2-     

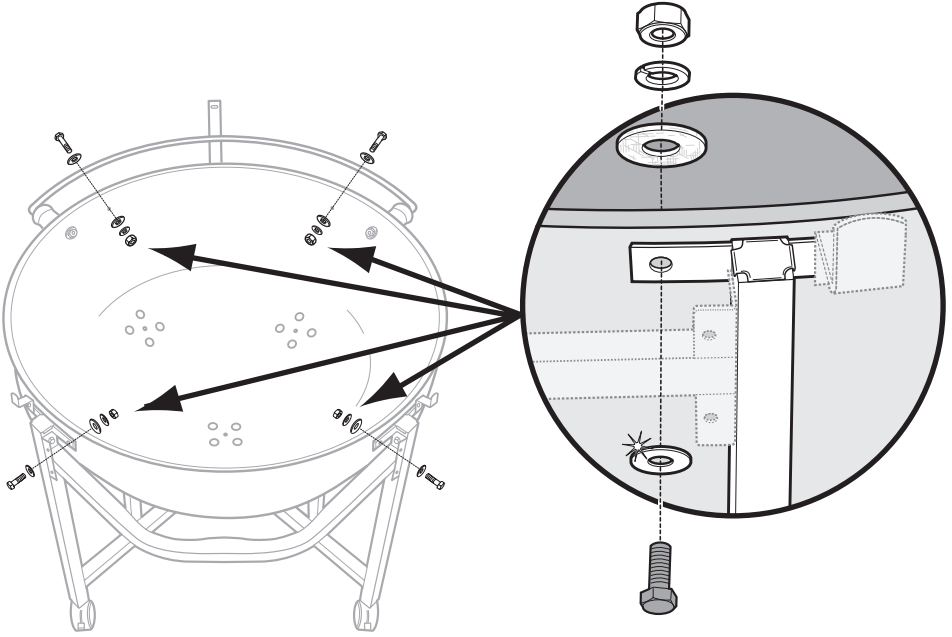


20

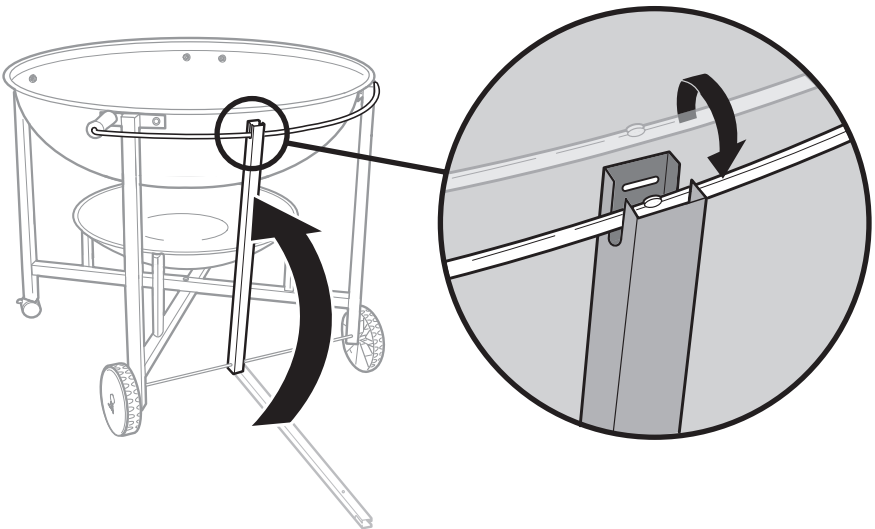


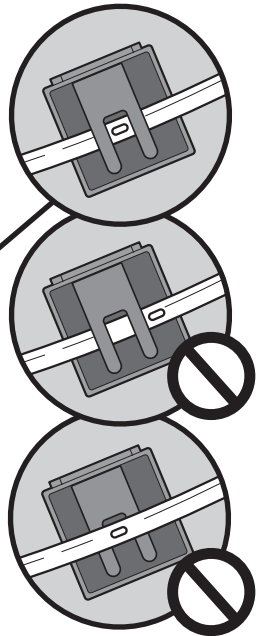
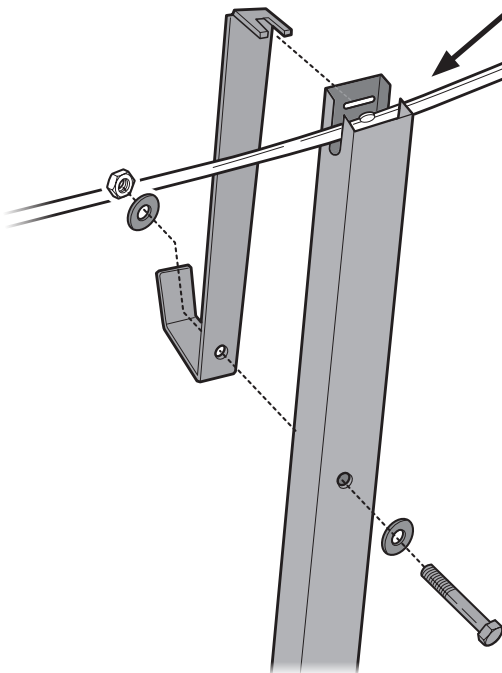
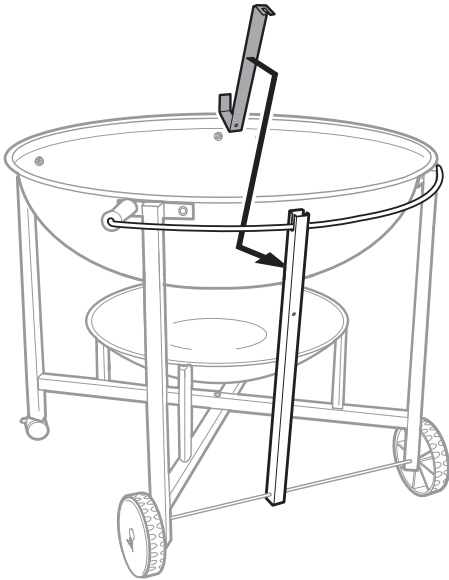
1/2"

4-



21

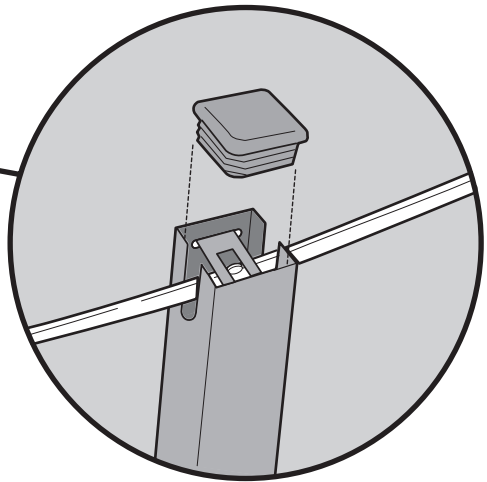
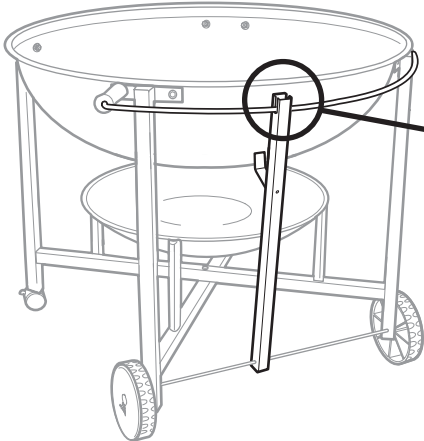




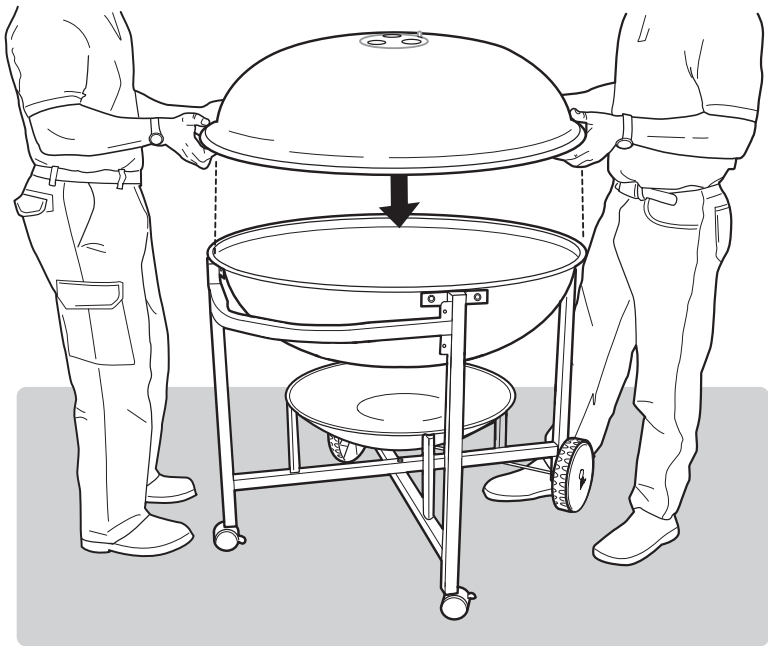


23

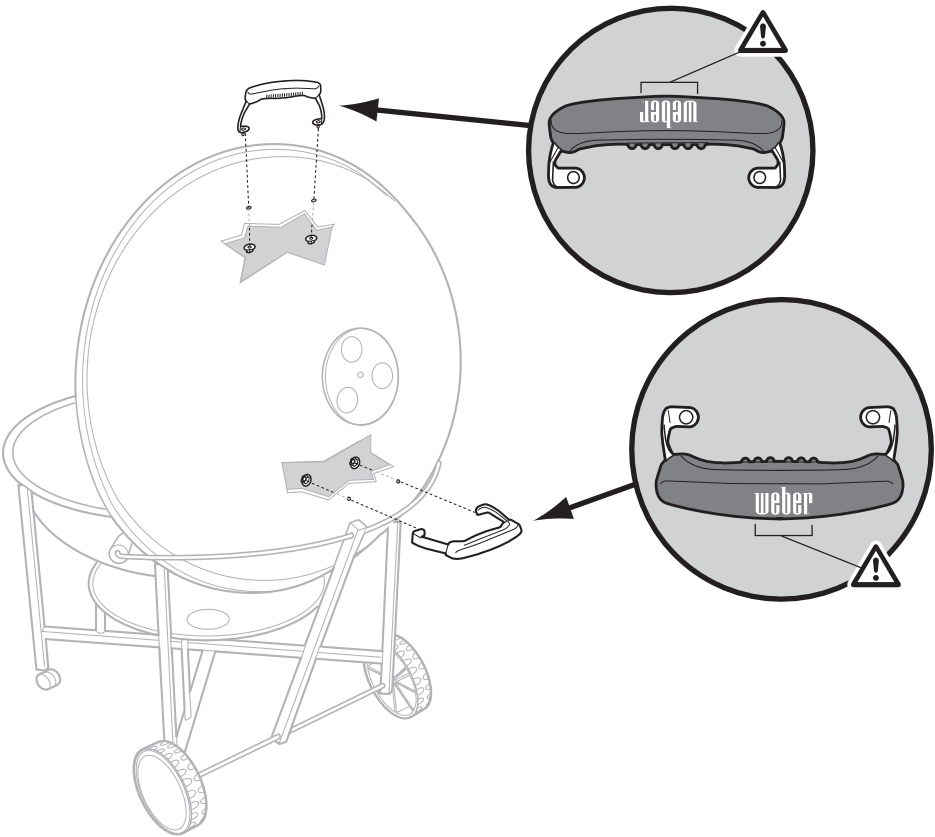
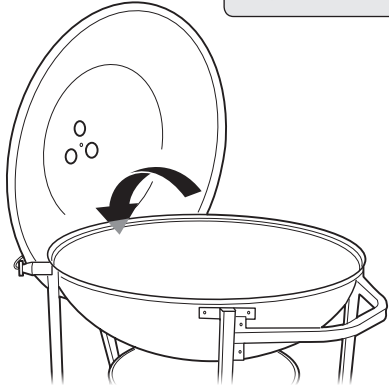
1-



24

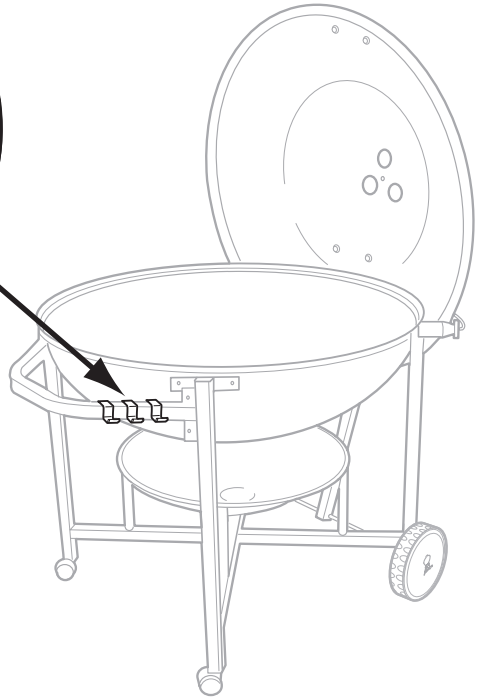
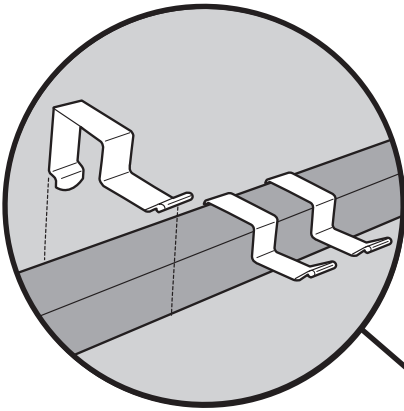


4-  2-  

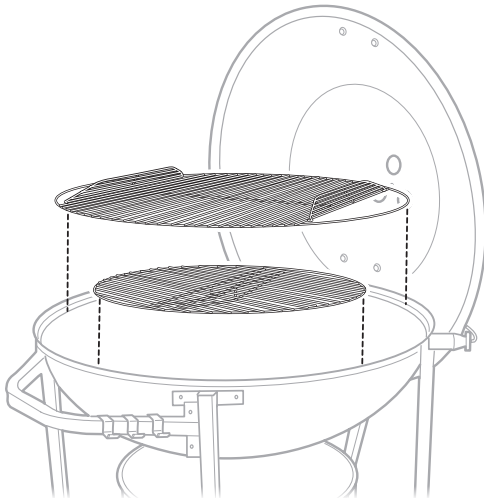


26

3- 



27



Visit [www.weber.com](http://www.weber.com)<sup>®</sup>, select your country of origin, and register your grill today.

Visite [www.weber.com](http://www.weber.com)<sup>®</sup>, seleccione su país de origen y registre su barbacoa hoy.

Connectez-vous sur [www.weber.com](http://www.weber.com)<sup>®</sup>, sélectionnez votre pays d'origine, et enregistrez votre grill aujourd'hui.



WEBER-STEPHEN PRODUCTS LLC  
[www.weber.com](http://www.weber.com)<sup>®</sup>

© 2011 Designed and engineered by Weber-Stephen Products LLC,  
a Delaware limited liability company, located at 200 East Daniels Road, Palatine, Illinois 60067 U.S.A.  
*Printed in U.S.A.*