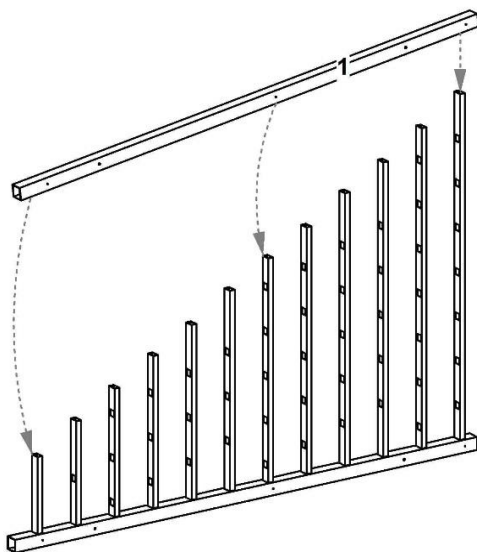


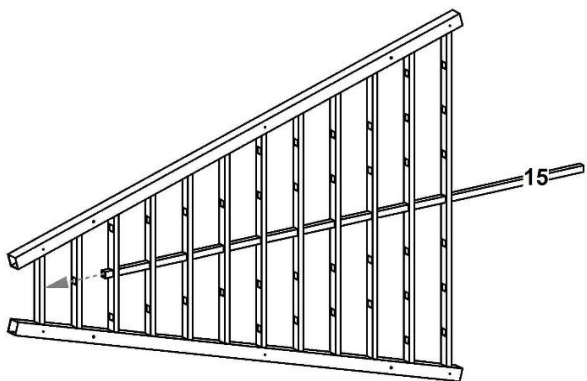
**1**

Lay out one right post (part 2). Starting at bottom (end with hole 4" from post end), insert cross rails from shortest to longest (part 3-14)



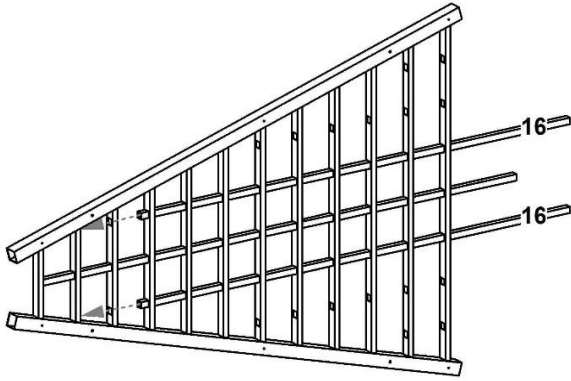
**2**

Slide left post (part 1) over corresponding support and cross rails.



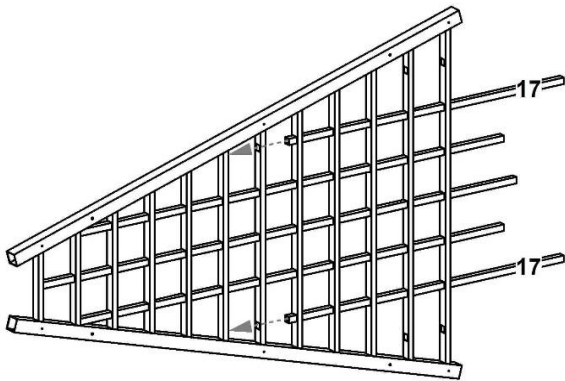
**3**

Starting with center hole, insert 84" vertical rail (part 15) through cross rails.



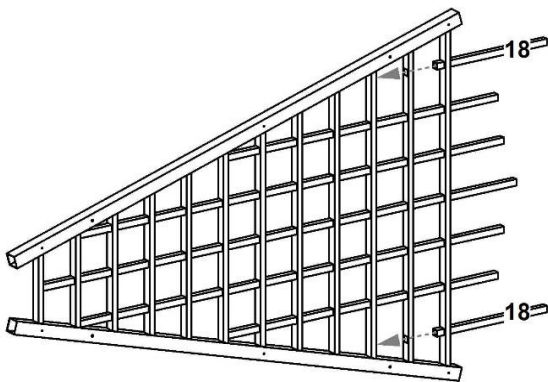
4

Working outward away from center, insert 74" vertical rails (part 16) through cross rails.



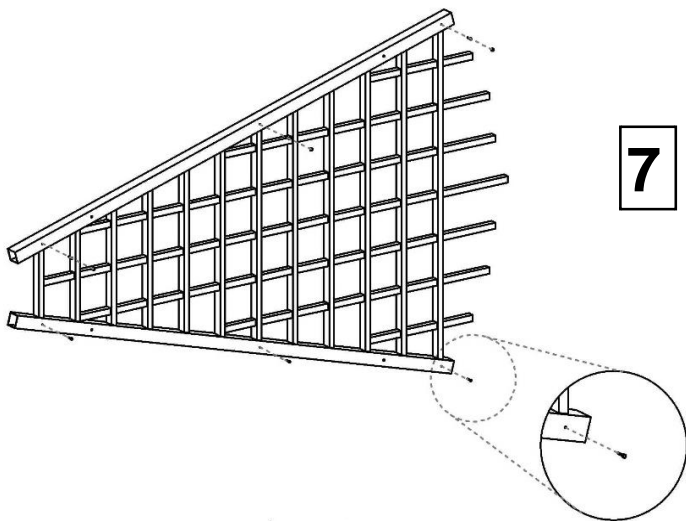
5

Insert 45½" vertical rails (part 17) through cross rails.



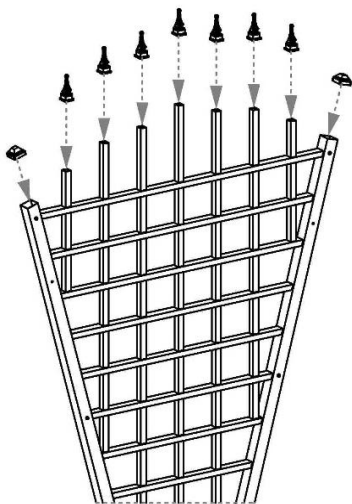
6

Insert 17½" vertical rails (part 18) through cross rails.



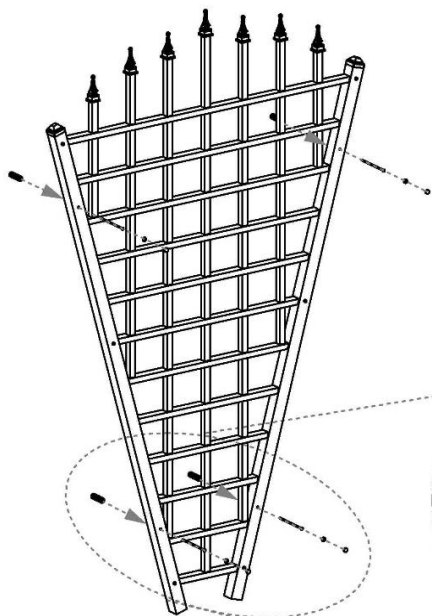
**7**

Using  $\frac{3}{4}$ " painted screws, screw together trellis. Be sure that all parts are fully inserted into posts before securing.



**8**

Using PVC, super or crazy glue, glue post caps onto posts and arrowhead caps onto vertical rails.



**9**

To secure to wall, slide 6" screw through clear screw backer. Insert screw through pre-drilled hole in post. To set trellis away from wall, slide screw through spacer tube. After securing, snap screw cap over screw backer.

(NOTE: The wall mounting screws included will not fasten to stone, brick or concrete walls.)

