

Owner's Manual & Assembly Guide



STORAGE PRODUCTS
www.arrowsheds.com

! caution

sharp edges *

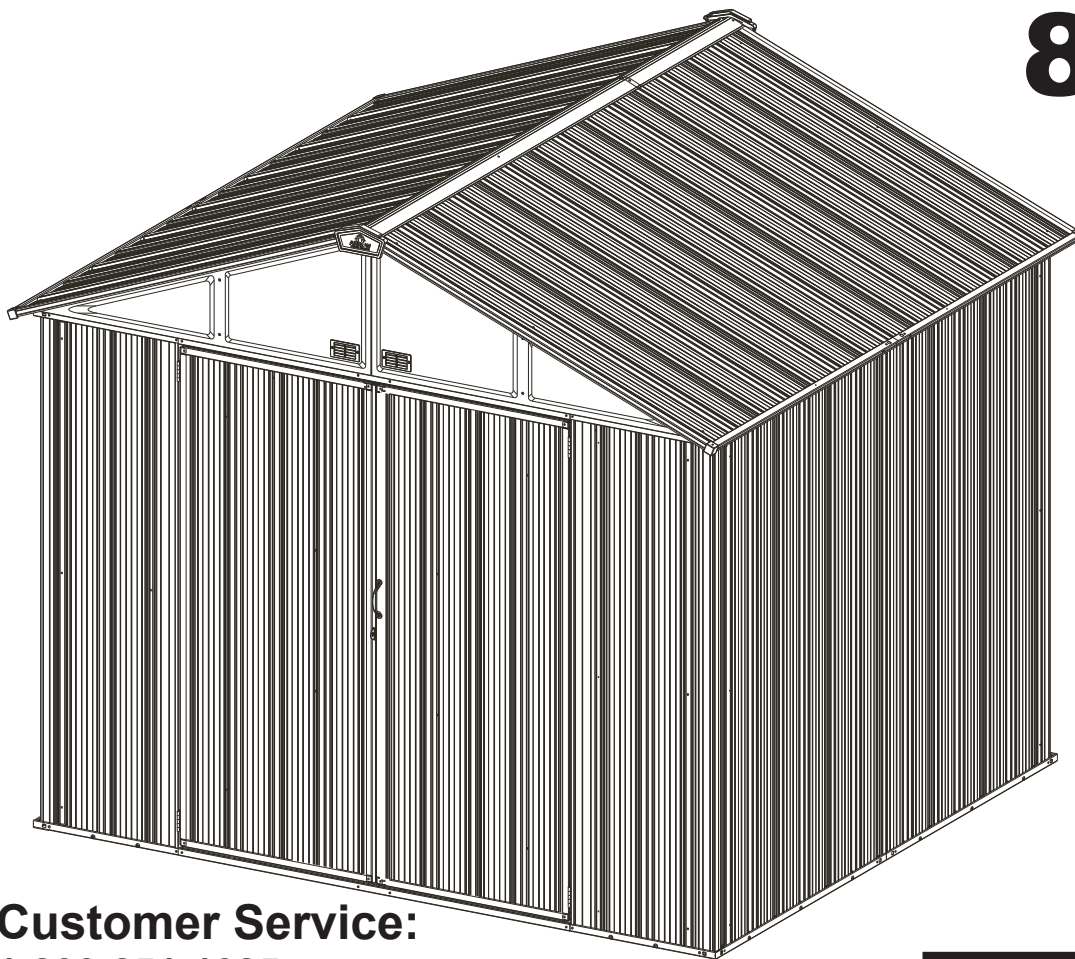
Gloves must be worn at all times to reduce risk of injury!

Model No.

- | | |
|---------------------------------------|---|
| EZ8772HVCR <input type="checkbox"/> | EZ8772HVCREU <input type="checkbox"/> |
| EZ8772HVCRCC <input type="checkbox"/> | EZ8772HVCRCCEU <input type="checkbox"/> |
| EZ8772HVCC <input type="checkbox"/> | EZ8772HVCCEU <input type="checkbox"/> |
| EZ8772HVCCCR <input type="checkbox"/> | EZ8772HVCCCREU <input type="checkbox"/> |

8' x 7'

Nominal Size



EZEE SHED™

Customer Service:
1-800-851-1085 or
assist@arrowsheds.com

Base Size	92 1/2" x 80 1/2" 235 cm x 204,4 cm
------------------	--

BUILDING DIMENSIONS

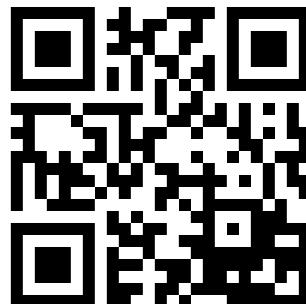
†Size rounded off to the nearest foot

For proper base construction see page 14

Approx.† Size	Storage Area	Exterior Dimensions (Roof Edge to Roof Edge)			Interior Dimensions (Wall to Wall)			Door Opening	
		Width	Depth	Height	Width	Depth	Height	Width	Height
8' x 7'	49 Sq. Ft. 329 Cu. Ft.	93 3/4"	86"	91"	90"	78"	90"	51 1/2"	69 3/4"
2,4 m x 2,1 m	4,5 m ² 9,3 m ³	238,1 cm	218,4 cm	231,1 cm	228,6 cm	198,1 cm	228,6 cm	130,8 cm	177,2 cm

* See Inside for Detailed Safety Information.

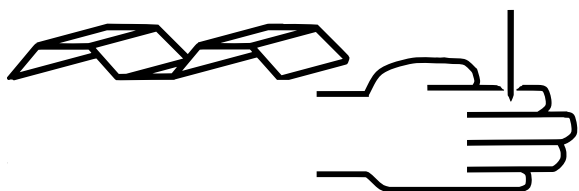
- GB:** Assembly manual in additional languages available online.
Scan QR code below to access.
- FR:** Manuel de montage disponible en ligne dans d'autres langues.
Pour y accéder, scannez le code QR ci-dessous.
- SP:** Manual de montaje en idiomas adicionales disponible online.
Escanee el código QR a continuación para acceder.
- DE:** Montageanleitung in zusätzlichen Sprachen online verfügbar.
Scannen Sie den QR-Code unten, um darauf zuzugreifen.
- IT:** Manuale dell'assemblea in altre lingue disponibile online.
Per accedere effettua la scansione del codice QR in basso.
- PT:** Manual de montagem disponível em outros idiomas online.
Digitalize o código QR abaixo para obter acesso.
- DT:** Samlingshåndbog i yderligere sprog til rådighed online.
Scan QR kode nedenunder for at få adgang.
- SK:** Na internete je k dispozícii návod na zostavenie v ďalších jazykoch.
Dostanete sa k nemu naskenovaním kódu QR.
- CZ:** Návod k montáži v dalších jazycích je k dispozici v online verzi.
Přístup získáte po naskenování QR kódu níže.
- HU:** Az összeszerelési útmutató további nyelveken is elérhető online.
A hozzáféréshez olvassa be az alábbi QR-kódot.
- GR:** Υπάρχει διαθέσιμο στο διαδίκτυο το εγχειρίδιο συναρμολόγησης
σε περισσότερες γλώσσες. Σαρώστε τον παρακάτω κώδικα
QR για να αποκτήσετε πρόσβαση.



SAFETY PRECAUTIONS...

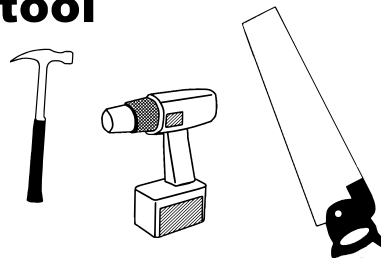
Safety precautions MUST be followed at all times throughout the construction of your building!

sharp edges



Care must be taken when handling various pieces of your building since many contain sharp edges. Please wear work gloves, eye protection and long sleeves when assembling or performing any maintenance on your building.

always practice proper tool safety



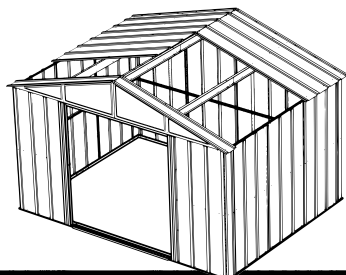
Practice caution with the tools being used in the assembly of this building. Be especially familiar with the operation of all power tools.

no children or pets at worksite



Keep children and pets away from the worksite during construction and until the building is completely assembled. This will help avoid distractions and any accidents which may occur.

don't focus weight on roof



NEVER concentrate your weight on the roof of the building. When using a step ladder make sure that it is fully open and on even ground before climbing on it.



Do NOT attempt to assemble your building on a windy day. The large panels can catch the wind like a "sail", causing them to be whipped around making construction difficult and unsafe.

Do NOT attempt to assemble your building before double checking that you have all the parts indicated in the parts lists (page 9) as well as all hardware (page 8). Any building left partially assembled may be seriously damaged by even light winds.

IMPORTANT NOTE ON ANCHORING

- Your building MUST be anchored to prevent wind damage. An anchoring kit is not supplied with your building and you have many options when it comes to anchoring. See anchoring page for more info.
- You must also have a temporary anchoring system in place in case you need to take a break from assembly. See page 4 for more info.

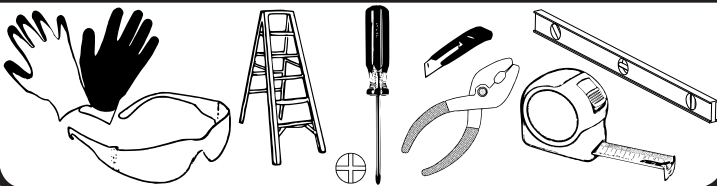
ASSEMBLY TIPS & TOOLS

Watch the Weather Closely: Be sure the day you choose to install your building is dry and calm. Do **NOT** attempt to assemble your building on a windy day. Be careful on wet or muddy ground.

Use Teamwork: Two or more people are required to assemble your building. One person can hold the parts or panels in place while the other person fastens them together and handles the tools. This makes the process of assembling your building faster and safer.

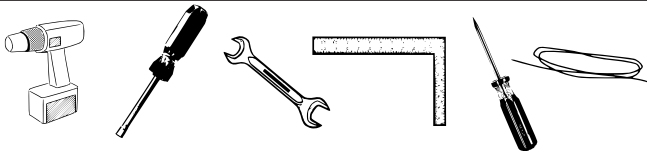
Tools and Materials: Here is a list of some basic tools and materials you will need to assemble your building. Decide which method of anchoring and the type of base you will use to make a complete list of the materials you will need.

WHAT YOU NEED



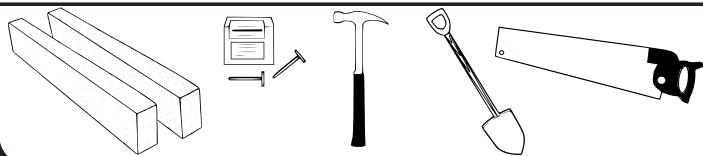
- Work Gloves
- Safety Glasses
- Step Ladder
- No. 2 Phillips Screwdriver (Magnetic Tip Preferred)
- Utility Knife or Scissors
- Pliers
- Carpenter's Level
- Tape Measure

RECOMMENDED TIME SAVERS



- Power Drill (Cordless, Variable Speed)
- Nut Driver or Wrench
- Square
- String (for squaring the frame)
- Awl (to align holes)

BASE PREPARATION TOOLS



- Lumber and/or Concrete
- Hammer and Nails
- Spade or Shovel
- Hand Saw or Power Saw

How to Select and Prepare Your Building Site: Before you start to assemble your building, you will want to decide on a good location. The best location is a level area with good drainage.

- Allow enough working space so it is not difficult to move parts into position for assembly. Be sure there will be enough space at the entrance for the doors to completely open. Also, there needs to be enough space outside the building to be able to fasten the panel screws from the outside.
- Before assembling any parts, your base should be constructed and an anchoring system should be ready to use.

FREQUENTLY ASKED QUESTIONS

Q. How long will it take to assemble the building?

A. Assembly time depends on a variety of factors, including roof design, tools available, DIY skill and the pace at which you work. Guidelines for each shed assembly are approximate AFTER completion of the base, and assume two or more people working on the assembly. Generally, you should plan on at least one day working with someone who can assist you; again, after constructing the base. Refer to the clock icons on each product page on the website for specific time estimates.

Q. How do I decide where to put my shed?

A. The key to a successful assembly is to make sure the shed will be square and level when built. The shed can be assembled directly onto level ground (grass or dirt). If you have location options, choose one that is already flat, with good drainage to control moisture. If you don't have a flat, well-drained area, you need to prepare the space. Level the area using cinder blocks, concrete, crushed gravel or other sturdy materials. Once level with good drainage, construct your base. Using a carpenter's level, make sure your base is level and free of bumps or ridges to provide good support for your building.

Q. What if I can't finish my building in one session?

A. If weather conditions change so that it becomes windy or rainy, it is recommended that you stop assembly until conditions improve. This is for your safety and for protection of the shed panels. However, do not leave your unfinished construction without first temporarily anchoring the corners of the shed to your base and placing weights, such as patio blocks or sandbags, on the floor frame. Failure to anchor the building if you leave it while partially assembled could result in irreparable damage or personal injury if the building collapses.

Note: Most instruction manuals provide a warning note at the beginning of the installation step for corner panels, stating that the remainder of the building assembly requires multiple hours and more than one person. Do not continue beyond this point if you do not have enough time or help to complete the assembly that day. A partially assembled building can be severely damaged by even light winds.

Q. Do I need to anchor my building?

A. Yes! Fully assembled buildings should be anchored using a permanent anchoring system. If you need to leave your building before it is completely assembled, you will need to temporarily anchor the corners of the shed to your base, and place weights, such as patio blocks or sandbags, on top of the floor frame.

Q. How do I temporarily anchor my building before it's fully assembled?

A. An incomplete building must be anchored before breaking for any period of time to prevent possible damage.

- If the building is on a wood base, secure the frame with wood screws in the corners
- If the building is on a concrete base, temporarily anchor the frame in the corners
- Use patio blocks or sandbags on top of the floor frame as weights
- Secure the floor frame to the ground with ground augers or rope the frame in the corners to the ground

Q. How do I control condensation and prevent water from leaking in?

A. To minimize condensation, install a continuous, unbroken plastic vapor barrier with a thickness of 6 mil. between exposed ground surface and the building's base. Make sure that all weather stripping and washers are used throughout the assembly process. Make sure that the weather-stripping tape adheres to the panels when installing it along the main ridge beam. Do not stretch it. Apply it directly off the roll onto clean panels. Ensure that all washers are flush with the panels and do not over-tighten screws, as this can crack the washers. Silicone caulking may be used to create watertight seals at the washers and throughout the building.

Q. What kind of base do I use?

A. You can:

- Use an Arrow Base Kit
- Pour a concrete slab
- Build a wood deck/floor (use exterior-grade plywood)
- Use patio blocks
- Build on crushed gravel, dirt or grass

Arrow provides a base kit accessory that is an option for most building sizes. If you are building a wood deck/floor, an Arrow floor frame kit on top of your deck/floor assembles in minutes and provides a floor frame suitable for a 5/8" exterior-grade plywood floor (not included). A continuous unbroken plastic vapor barrier with a thickness of 6 mil. between the ground and the building's base is also recommended.

Q. How should I measure for my base?

A. Shed dimensions are provided in "nominal" size. Nominal sizes are roof-edge measurements rounded to the nearest foot and are not the measurements to use for constructing the shed base. So, carefully check the exact, recommended base size in the specifications for your shed model.

Q. How do I align the holes in the wall panels with the holes in the floor frame?

A. Make sure that the shed is level and square, with the correct floor frame size, and that the corner panels are installed correctly. Line up the large hole in the panel with the small holes in the floor frame. An awl can be used to help align the holes.

Q. How do I align the holes in the roof panels with the holes in the roof beam and side wall angles?

A. Your building must be level and square in order for the holes to align. It must be square at both the top and bottom. Check that the building is square by measuring diagonally. The two diagonal measurements will be equal. If your building is out of square, carefully rock and push the shed until it is square. Also, try loosening the roof beams to give more play and flexibility. Non-alignment can also occur if your building is not level. You can raise corners and shim under them to make it level. Check that the panels are installed in the proper location. The building should not be permanently anchored until the complete unit is assembled; otherwise, you will not be able to make adjustments for squareness during assembly. Do not attach the bottom of the roof panels to the side wall angles until all the roof panels are up.

Note: If you have to stop assembly for any reason before it is complete, do not leave your unfinished construction without first temporarily anchoring the corners of the shed to your base and placing weights, such as patio blocks or sandbags, on the floor frame.

Q. How do I ensure that the sliding doors on the building will hang level?

A. Make sure that the door track has been correctly installed, with the long leg on top and the short leg on the bottom. Check that the door slides are straddling the upper and lower legs of the door track assembly, putting the door slide only halfway in the track. Also, the rounded end of the door slide should be at the bottom and the square end at the top.

Q. What kind of customer support is available?

A. Our instruction manuals contain step-by-step assembly illustrations and guide you from preparation through assembly to care and maintenance of your finished building. Each part is marked with a factory number for easy identification. In addition, our assembly animation (located under the Customer Support menu on the website) provides helpful tips. But if you need to reach someone at Arrow, you can contact Arrow Customer Service, toll free, at 1-800-851-1085 (press 1) or via e-mail at assist@arrowsheds.com. Have your model number and instruction manual with you when you call.

Q. What if the rear wall angle and channels are too large to fit inside of the rear wall panels?

A. Check the dimensions of wall assemblies. They should be slightly smaller than the floor frames. Lay the assemblies on top of the rear floor frame and pull them up to the top of the wall panels causing the corner panels to stand erect and not lean inward. Caution: Be careful to not scratch the panels on the way up.

Q. The wide rib always overlaps the crimped rib. Is there ever an exception?

A. This sequence is to be followed through the assembly process. However, this will typically happen once on the rear and once on each side wall (vertical wall units only) where there will be either two crimped ribs overlapping or two wide ribs overlapping. This may give it a tighter fit, but it will work.

Q. Can the building be painted?

A. The buildings can be painted with an exterior-grade paint designed for use on steel. Contact your local paint supplier for recommendations.

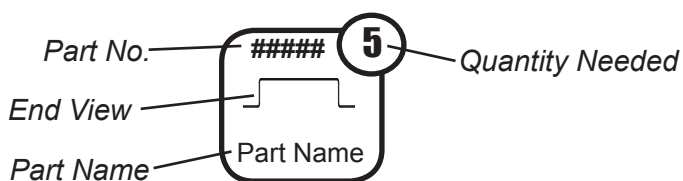
Q. I heard that rust might be an issue with steel; is it?

A. While steel can rust, with proper care this should not be an issue. For a long-lasting finish, periodically clean the exterior surface and apply spray-on car wax. Touch up scratches as soon as you notice them by immediately cleaning the area with a wire brush or emery paper, washing it and applying touch-up paint. This will minimize rust and maintain your shed's attractive appearance for years.

Q. How do I take care of dents in my shed?

A. Proper selection of shed size, including a sufficient door-opening width, and proper placement of your shed should minimize the possibility of damage. If a dent does occur, carefully push the dent out from the opposite side. If the paint has been scratched or removed, touch up the area as soon as you notice it. Immediately clean the area with a wire brush or emery paper, wash it and apply touch-up paint. This will minimize rust and maintain your shed's attractive appearance for years.

Still have questions? Visit us online at www.arrowsheds.com to view lots of helpful tips and information regarding all of our available products. You can also contact our Customer Service team at 1-800-851-1085 (press 1), or via e-mail at assist@arrowsheds.com.



At the top of each page you will see one or more **Part Cues** like the one to the left. These **Part Cues** are designed to help you quickly identify the parts needed for each step.

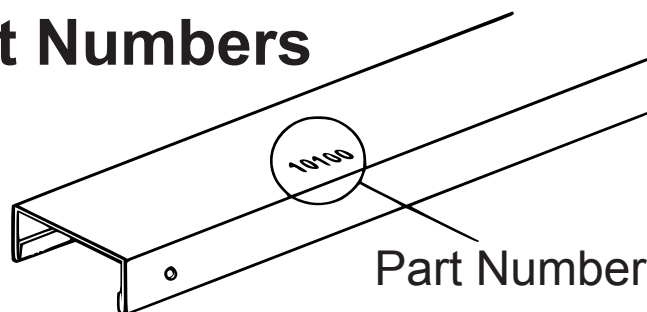
Confirm that all hardware and parts are present before attempting to assemble your building.

For missing or damaged parts contact Customer Service. Do not return to store.

Customer Service:

1-800-851-1085 or
assist@arrowsheds.com

Part Numbers



1. Each part has an identifying part number on it.
2. Part Numbers are referenced in each step.
3. Unpainted parts have a stamped in number and painted parts have a number that is inked on.

Remove inked on numbers with soap and water after assembly.

CARE & MAINTENANCE...

Exterior Care:

For a long lasting finish, clean and wax the exterior surface. We recommend washing with a mild soap solution. DO NOT use power washing to clean your shed. Using a spray automotive type wax periodically on the exterior is highly recommended if you are in a high humidity or coastal climate region.

Combustibles and corrosives must be stored in air tight containers designed for chemical and/or combustible storage. Corrosive chemicals such as fertilizers, pesticides and herbicides should be cleaned off the interior and exterior surfaces immediately. Rust caused by chemical damage is not covered by the warranty.

DO NOT STORE POOL CHEMICALS IN YOUR SHED - THIS VOIDS YOUR WARRANTY

Rust protection precautions may help to stop rust from developing, or stop it quickly as soon as it appears.

- Avoid nicking or scraping the coating surface, inside and out.
- Keep roof, base perimeter and door tracks free of debris and leaves which may accumulate and retain moisture. These can do double damage since they give off acid as they decay.
- Touch up scrapes or nicks and any area of visible rust as soon as possible. Make sure the surface is free of moisture, oils, dirt or grime and then apply an even film of high quality touch-up paint.
- Various paint manufacturers provide products for rust treatment and coverage. If surface rust does appear on your shed we recommend treating those areas as soon as possible, following the paint supplier of your choice instructions.
- Our customer service department can provide the paint tinting formula for matching the color of your shed. We also have touch-up paint available for repairing small nicks and scratches.

Roof:

Keep the roof clear of leaves and snow. Heavy amounts of snow on the roof can damage the building making it unsafe to enter. In snow country, Roof Strengthening Kits are available for most Arrow Buildings for added protection against heavy snow accumulation.

Doors:

For sliding doors, always keep door tracks clear of dirt and other debris that prevents them from sliding easily. Lubricate door track annually with furniture polish or silicone spray. Keep doors closed and locked to prevent wind damage.

Fasteners:

Use all washers supplied to protect against weather infiltration and to protect the metal from being scratched by the screws. Regularly check screws, bolts, nuts, etc., and retighten as necessary.

General:

- A plastic sheet (vapor barrier) placed under the entire floor area may reduce condensation.
- Wash off inked part numbers on coated panels with soap and water.
- Silicone caulking may be used for watertight seals throughout the building.

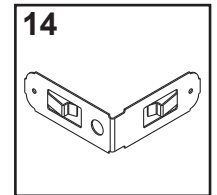
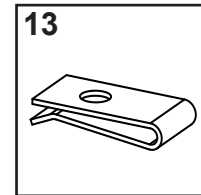
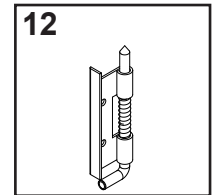
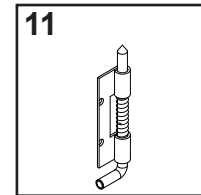
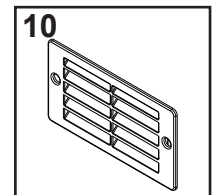
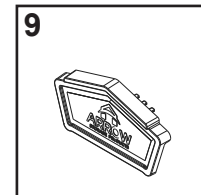
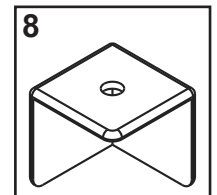
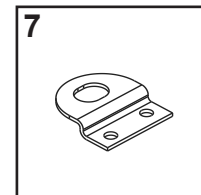
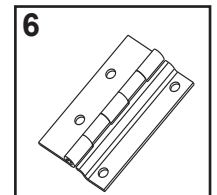
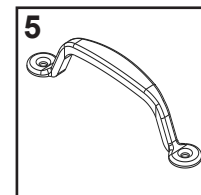
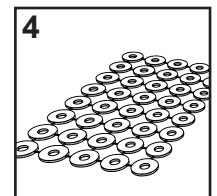
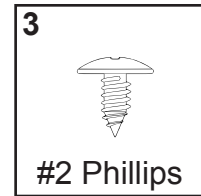
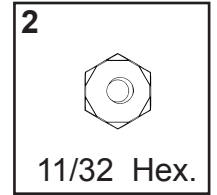
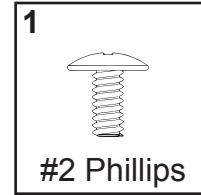
Please note, Manufacturer cannot be held responsible for any consequences due to buildings that are not installed per these instructions, or for damage due to weather conditions or acts of God.

Keep these assembly instructions and owner's manual for future reference.

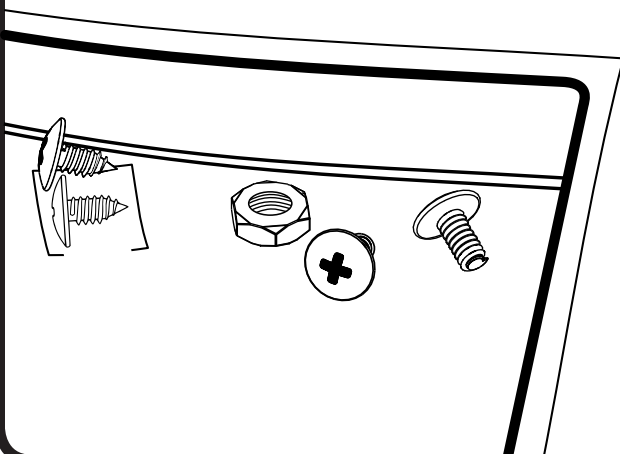
HARDWARE LIST...

Hardware Views by Key No.

Key No.	Part No.	Part Description	Qty.	✓ List
1	65923	Bolt (#8-32 x 3/8) (10 mm)	72	
2	65103	Hex Nut (#8-32)	72	
3	65004	Screw (#8AB x 5/16) (8 mm)	208	
4	66646	Washer Sheet	4	
5	66715	Door Handle	1	
6	66718	Hinge	6	
7	66720	Padlock Eyelet	1	
8	60H	Corner Cap	4	
9	66860	Peak Cap	2	
10	66847	Vent Gable	4	
11	66719	Spring Pin Upper	1	
12	66713	Spring Pin Lower	1	
13	66721	U-Nut (Door Clip)	12	
14	10280	Corner Clip	8	



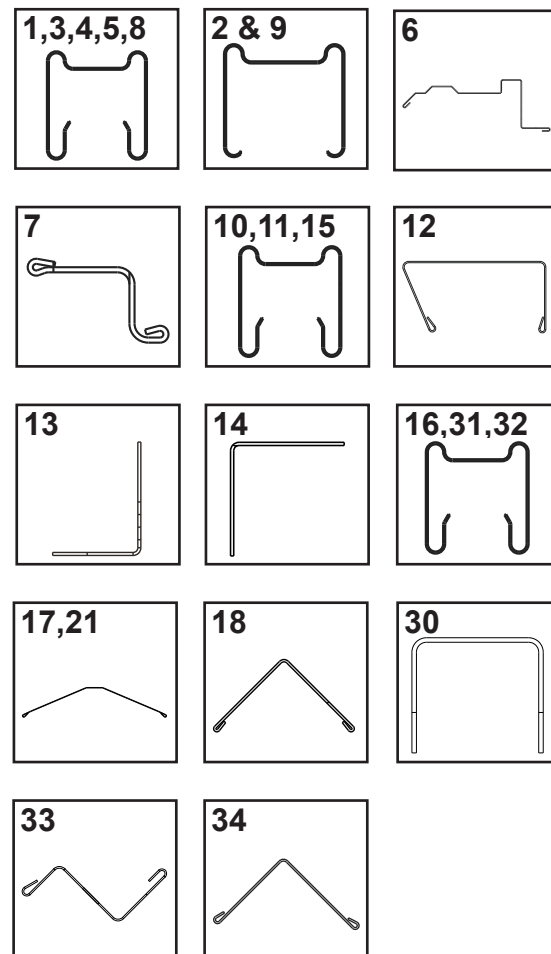
The fasteners used in each step are shown actual size at the top of each page. If you are unsure which fastener to use, hold it up to the picture and use the one that matches.



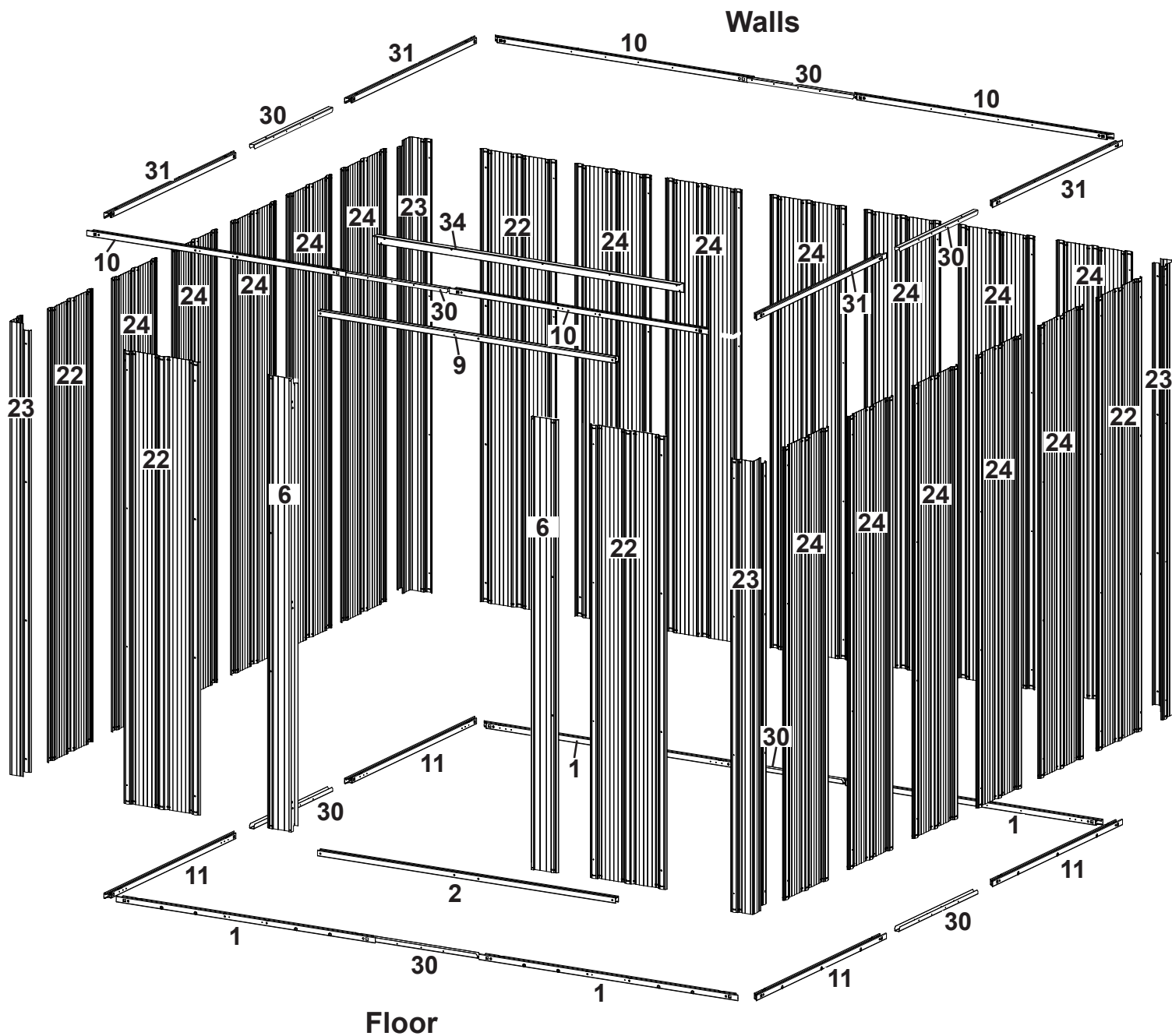
PARTS LIST...

Key No.	Part No.	Part Description	Qty.	✓ List
1	10340	Floor Channel (unpainted)	4	
2	10292	Ramp (unpainted)	1	
3	10301	Door Brace Horizontal (painted)	4	
4	11017	Door Brace Vertical (painted)	2	
5	11027	Door Brace Vertical (painted)	1	
6	11024	Door Jamb	2	
7	10295	Door Brace Diagonal	4	
8	10334	Roof Channel (painted)	4	
9	10291	Header Trim (painted)	1	
10	10341	Wall Channel (painted)	4	
11	10297	Floor Channel (unpainted)	4	
12	11020	Roof Beam	8	
13	7905	Roof Beam Brace	4	
14	11043	Gable Brace	2	
15	10335	Roof Channel (painted)	4	
16	11021	Fascia Trim (painted)	4	
17	11022	Ridge Cap	1	
18	9204	Brace Roof Beam	2	
19	11010	Door Panel	2	
20	11011	Door Panel	2	
21	11023	Ridge Cap	1	
22	10999	Panel Wall	5	
23	11000	Corner Panel	4	
24	10998	Panel Wall	16	
25	10994	Gable Right	2	
26	80115	Gable Left	2	
27	11012	Roof Panel	10	
28	80119	Roof Panel Left	2	
29	11013	Roof Panel Right	2	
30	11019	Channel Splice	12	
31	10305	Wall Channel (painted)	4	
32	11026	Vertical Door Brace (painted)	1	
33	11025	Door Astragal	1	
34	11049	Header Angle	1	

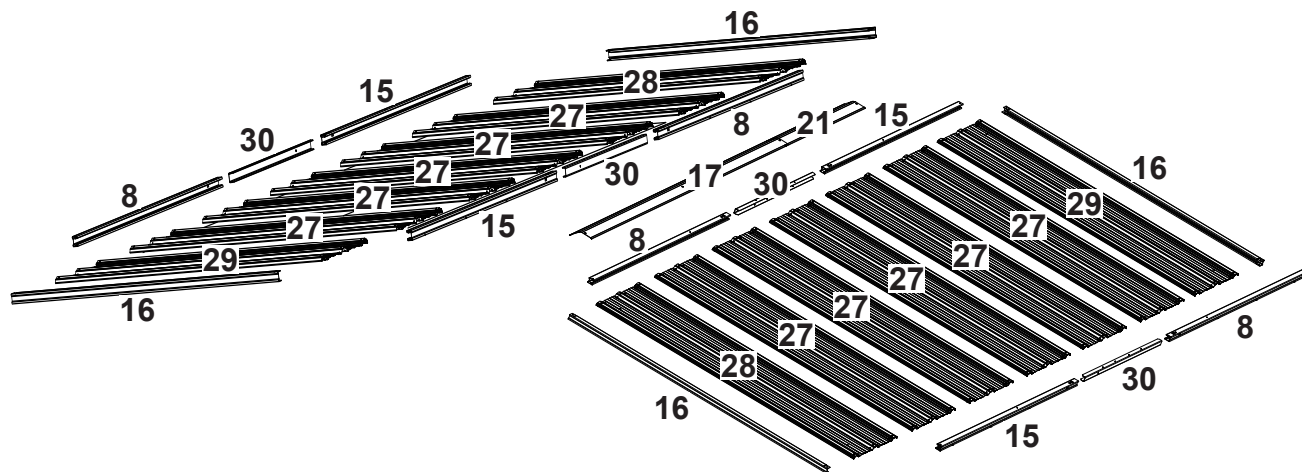
Selected End Views by Key No.



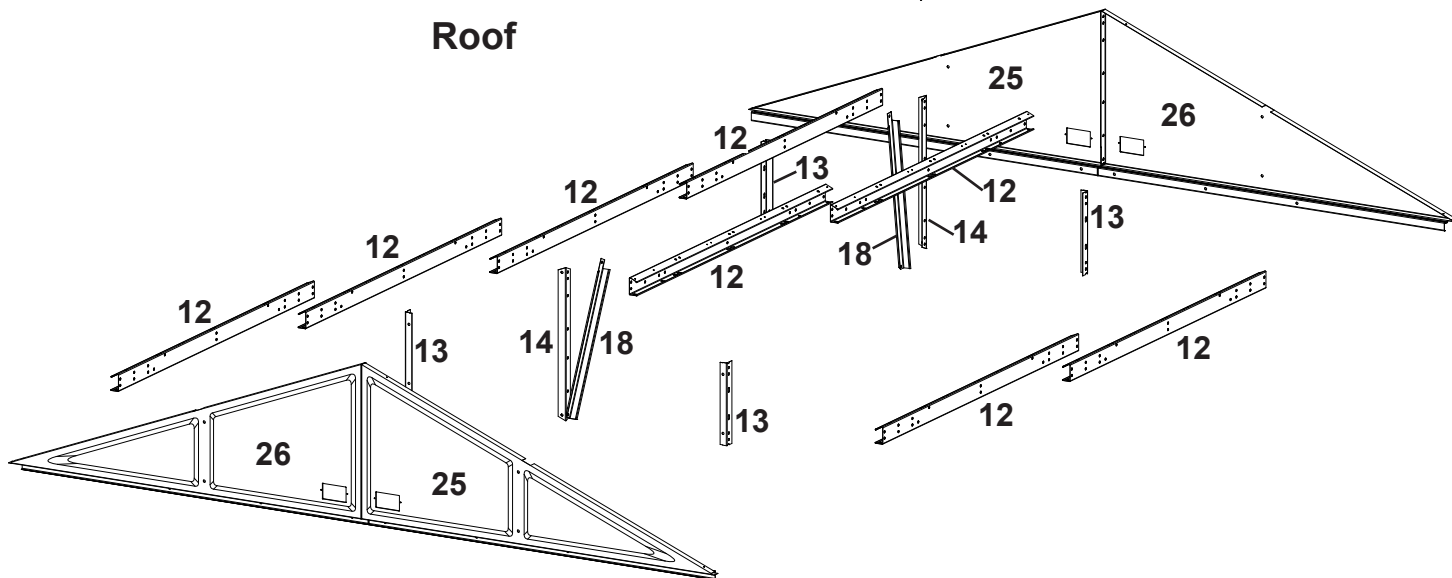
ASSEMBLY BY KEY NO.



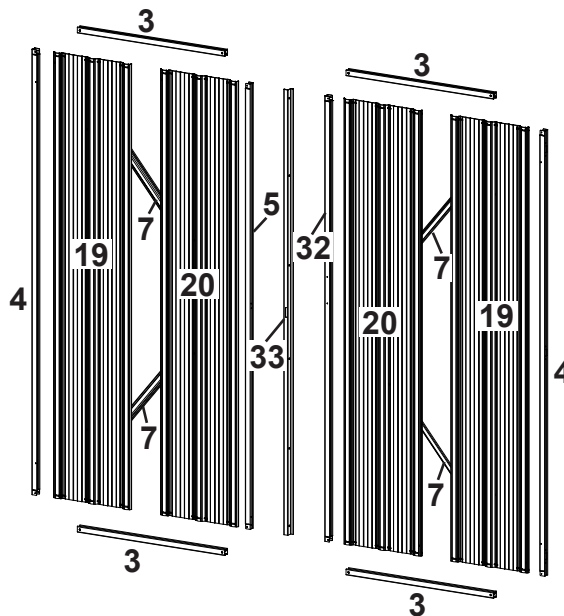
ASSEMBLY BY KEY NO.



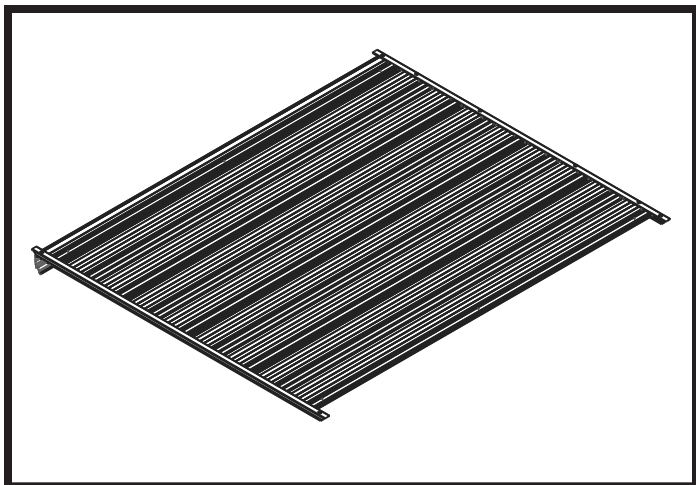
Roof



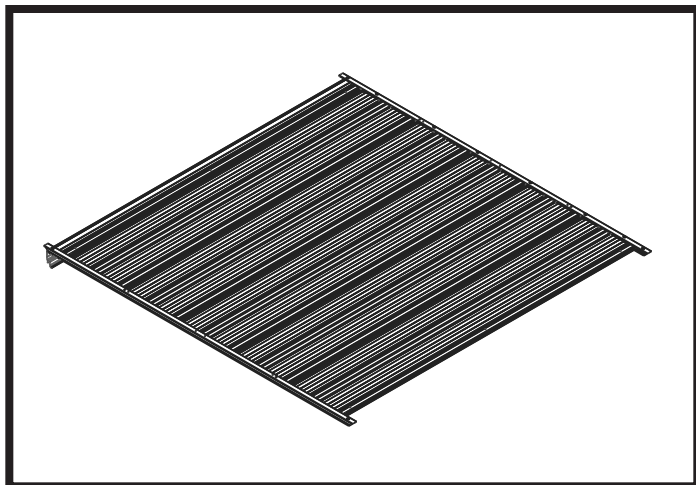
Doors



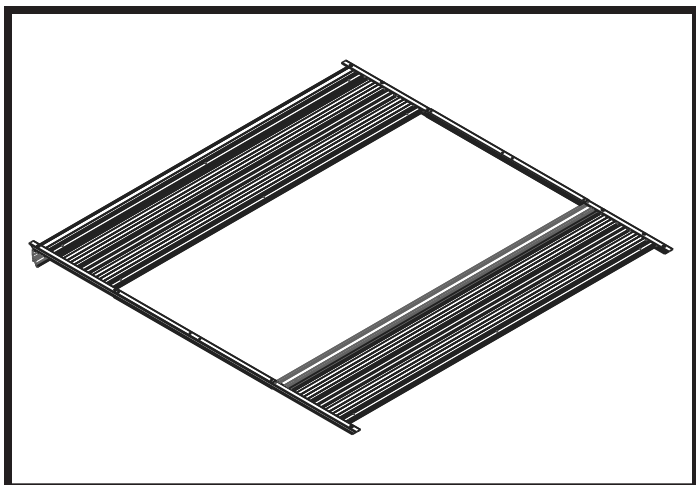
ASSEMBLY OVERVIEW



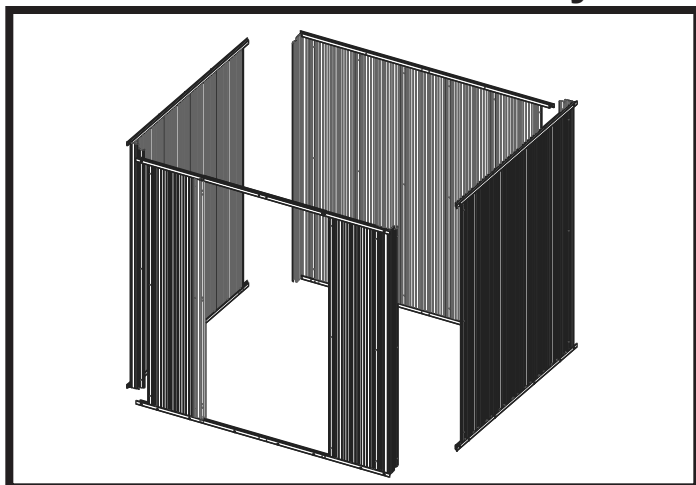
Build Side Wall Assemblies



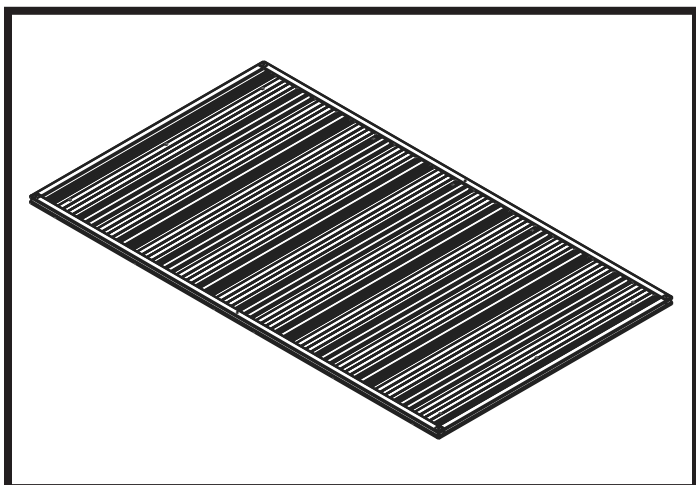
Build Rear Wall Assembly



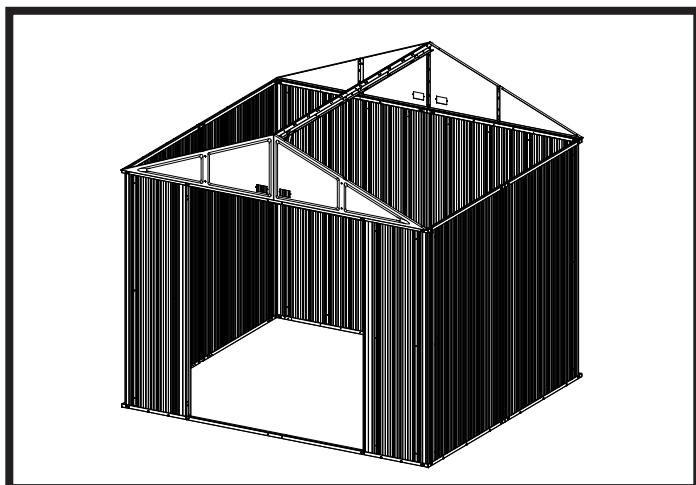
Build Front Wall Assembly



Assemble Walls

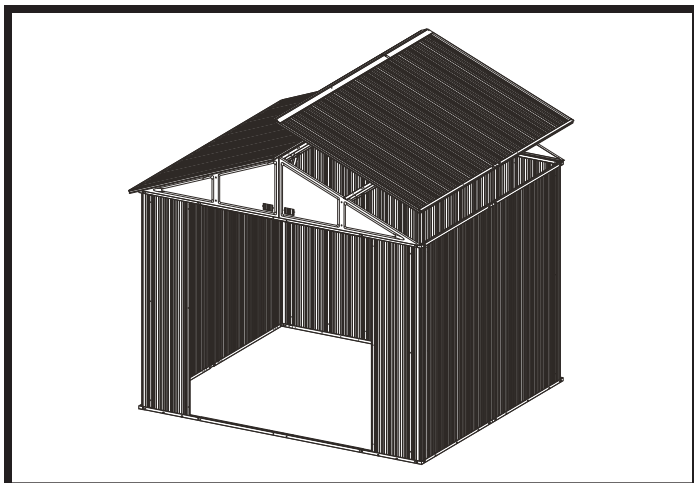


Build Roof Assemblies

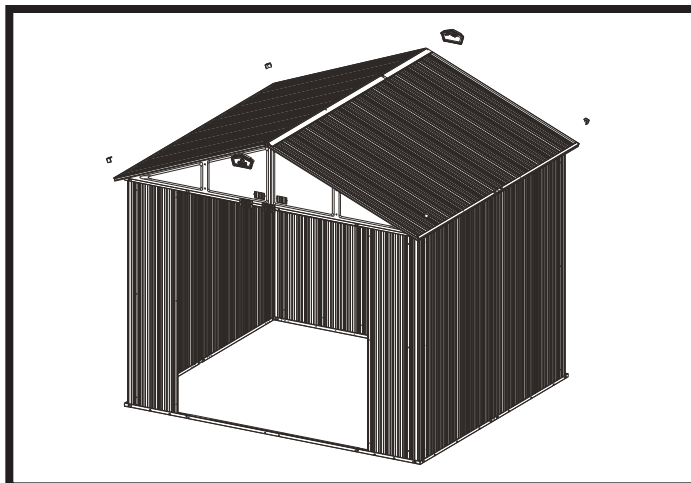


Install Gables and Roof Beam

ASSEMBLY OVERVIEW



Install Roof Panels



Install Trim

**Install the Door and you
now have a finished shed**



CONSTRUCTING A BASE...

OPTION 1: Directly on ground (earth)

Assemble your building directly on level ground (grass, dirt, rock, sand, etc.).

Allow 1 - 2 hours for construction.

OPTION 2: Wood Platform

If you decide to build your own base, be sure to select the appropriate materials.

These are the recommended materials for your base:

- 2 x 4's (38 mm x 89 mm) Pressure Treated Lumber
- 5/8" (15,5 mm) 4 x 8 (1220 mm x 2440 mm) Plywood-exterior grade
- 10 & 4 penny Galvanized Nails
- Concrete Blocks (optional)

NOTE: Pressure Treated Lumber must not be used where it will make contact with your storage building. The properties of Pressure Treated Lumber will cause accelerated corrosion. **If Pressure Treated Lumber comes in contact with your storage building your warranty will be voided.**

The platform should be level and flat (free of bumps, ridges etc.) to provide good support for the building. The necessary materials may be obtained from your local lumber yard.

To construct the base follow instructions and diagram.

- Construct frame (using 10 penny galvanized nails)
- Measure 16"/24" (40,6 cm/61,0 cm) sections to construct inside frame (see diagram)
- Secure plywood to frame (using 4 penny galvanized nails)

Allow 6 - 7 hours for construction.

OPTION 3: Concrete Slab

The slab should be at least 4" (10,2 cm) thick. It must be level and flat to provide good support for the frame.

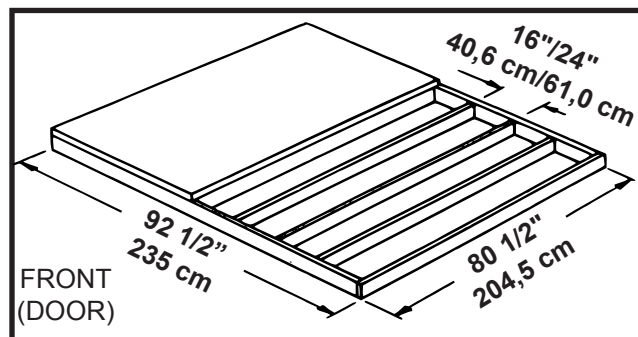
The following are the recommended materials for your base.

- 1 x 4's (19 mm x 89 mm) (will be removed once the concrete cures)
- Concrete
- Sheet of 6 mil plastic
- We recommend for a proper strength concrete to use a mix of:
1 part cement • 3 parts pea sized gravel • 2 1/2 parts clean sand

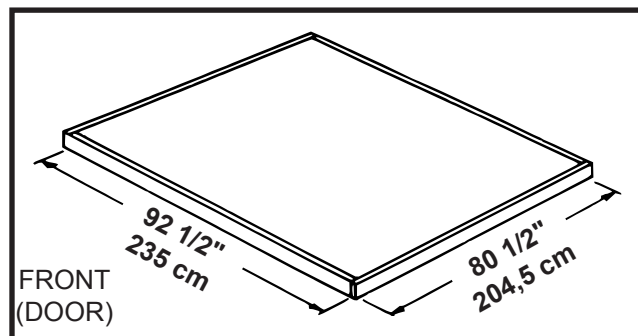
Prepare the Site/Construct a Base

1. Dig a square, 6" (15,2 cm) deep into the ground (remove grass).
2. Fill up to 4" (10,2 cm) in the square with gravel and tamp firm.
3. Cover gravel with a sheet of 6 mil plastic.
4. Construct a wood frame using four planks of 1x4 (19 mm x 89 mm) lumber.
5. Pour in concrete to fill in the hole and the frame giving a total of 4" (10,2 cm) thick concrete. Be sure surface is level.

Allow 3 - 5 hours for construction and a week for concrete curing time.



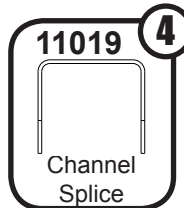
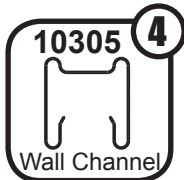
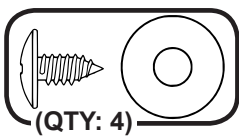
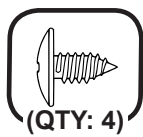
Note: Platform/Slab will extend 9/16" (1,4 cm) beyond floor frame on all four sides. Seal this 9/16" (1,4 cm) of wood with a roofing cement (not included), or bevel this 9/16" (1,4 cm) of concrete when pouring, for good water drainage.



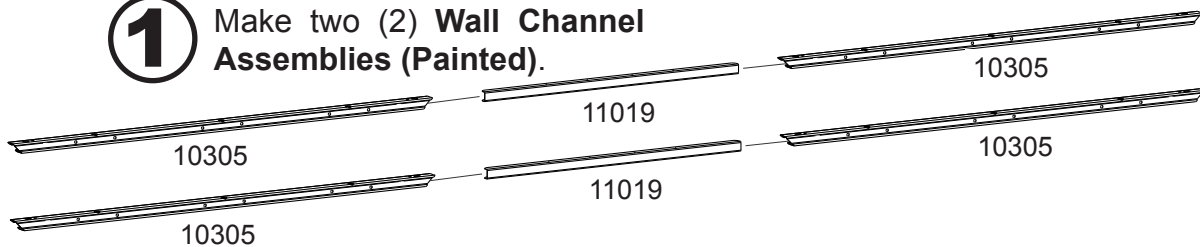
Note: Finished Slab dimensions, with lumber removed.

Step 1: Side Walls

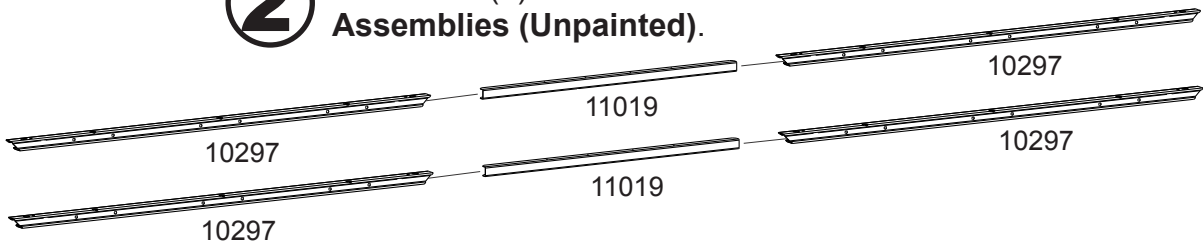
You will need for this page:



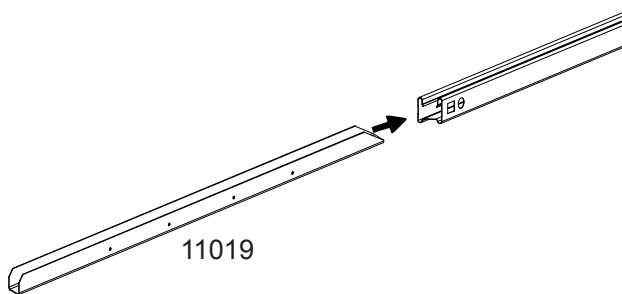
1 Make two (2) **Wall Channel Assemblies (Painted)**.



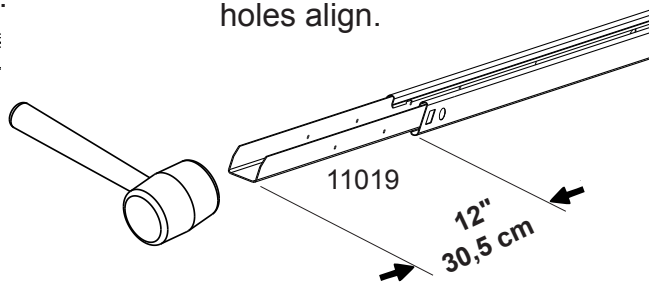
2 Make two (2) **Floor Channel Assemblies (Unpainted)**.



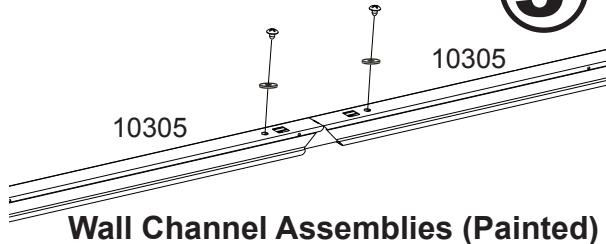
3 Turn **Channel** over and insert **Channel Splice**. Use **Tapered** end to start.



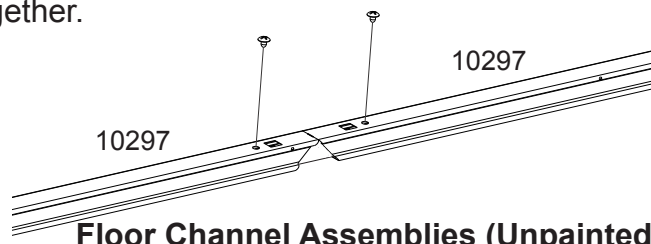
4 Use rubber mallet and gently tap **Channel Splice** into **Channel** until mounting holes align.



5 Join **Channels** and screw together.



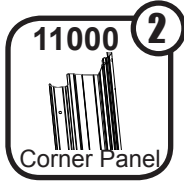
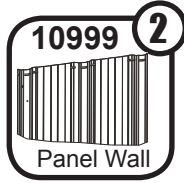
Wall Channel Assemblies (Painted)



Floor Channel Assemblies (Unpainted)

Step 1: Side Walls

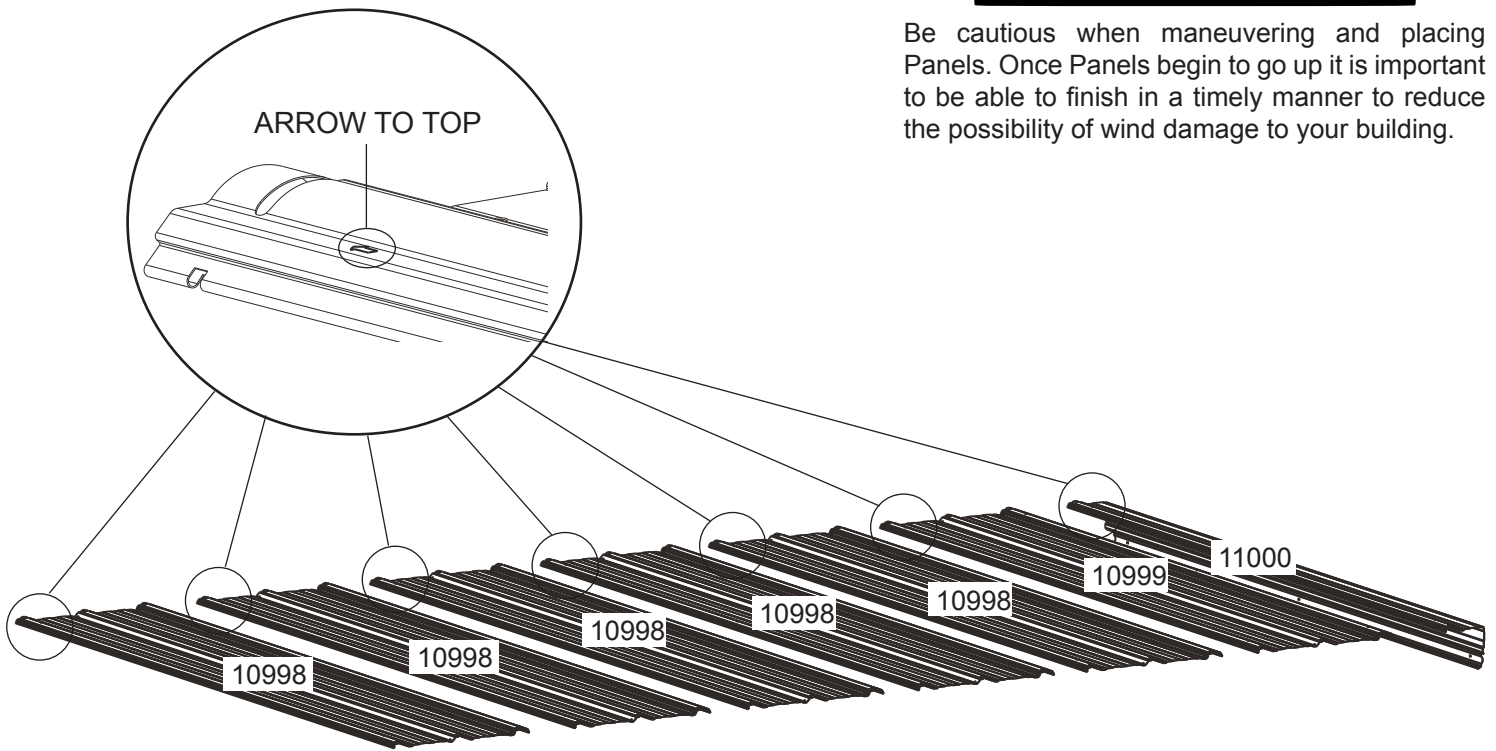
You will need for this page:



6 Make two (2) Side Wall Sections.
6 panels & 1 corner - each



Be cautious when maneuvering and placing Panels. Once Panels begin to go up it is important to be able to finish in a timely manner to reduce the possibility of wind damage to your building.



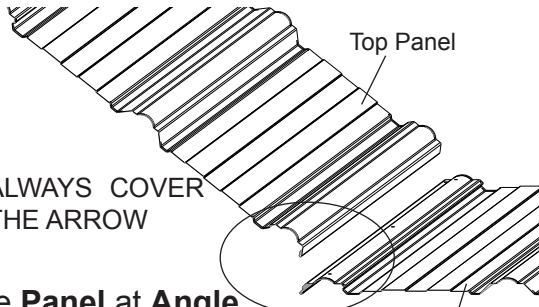
NOTE VERIFY PANELS ARE POSITIONED IN CORRECT SEQUENCE BY PART NUMBER

Step 1: Side Walls

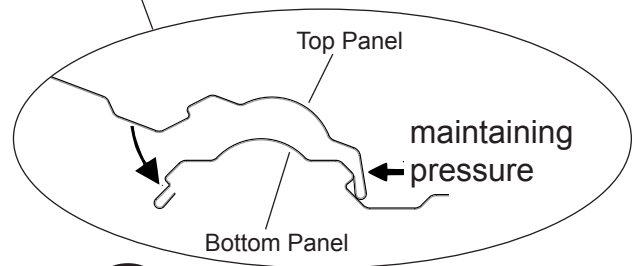
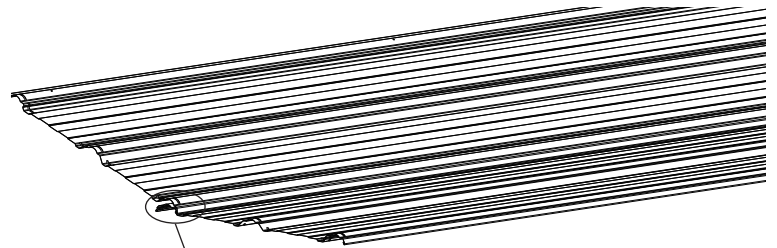
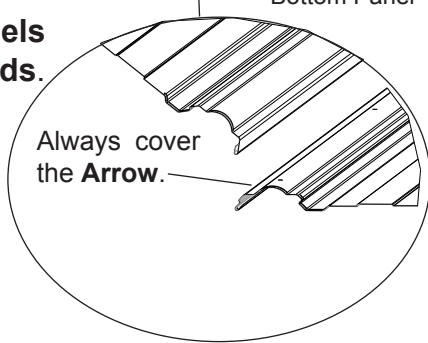
NOTE MUST USE FLAT SOLID SURFACE. DO NOT SNAP ON GROUND OR GRASS

NOTE ALWAYS COVER THE ARROW

7 Raise Panel at Angle.



8 Overlap Panels and Align Ends.

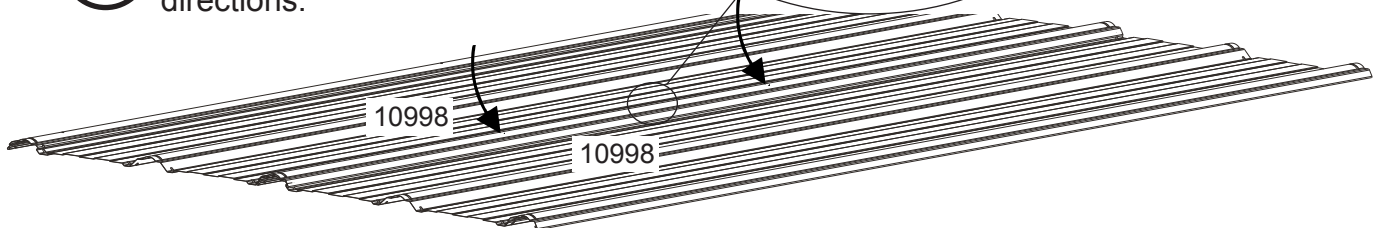
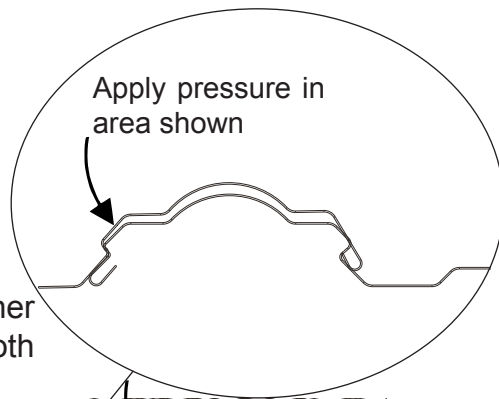


9 Hook Edge of Top Panel to Bottom Panel.

10 Bring Top Panel down flat while maintaining pressure in the middle to keep edge hooked.

11 Start in middle of assembly to snap Panels together.

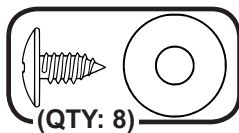
12 Push down to snap Panels together working from center outward in both directions.



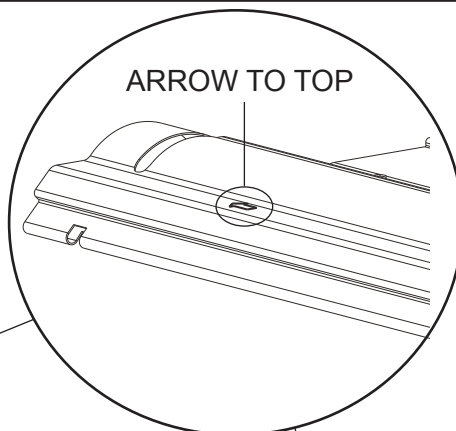
13 Push down to snap end of Panels together.

Step 1: Side Walls

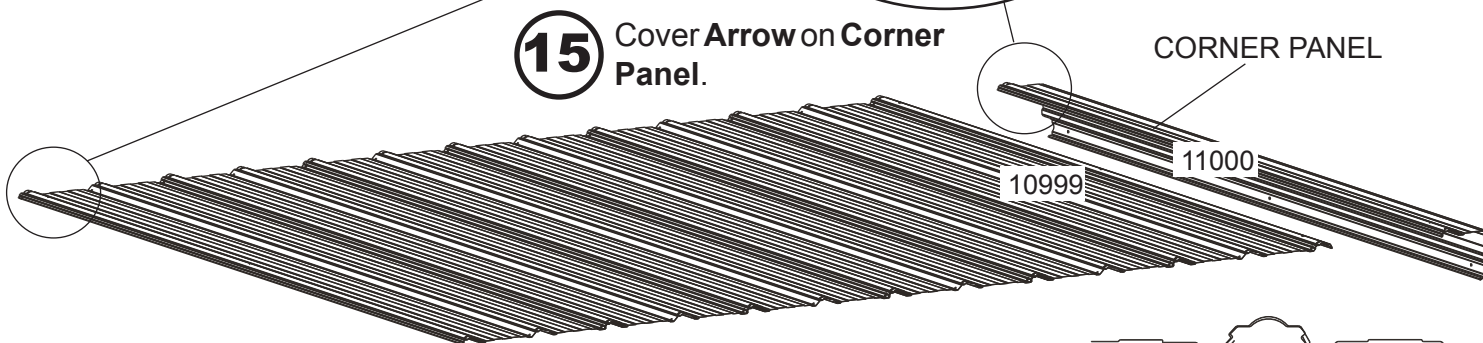
You will need for this page:



14 Install **Corner Panel**.

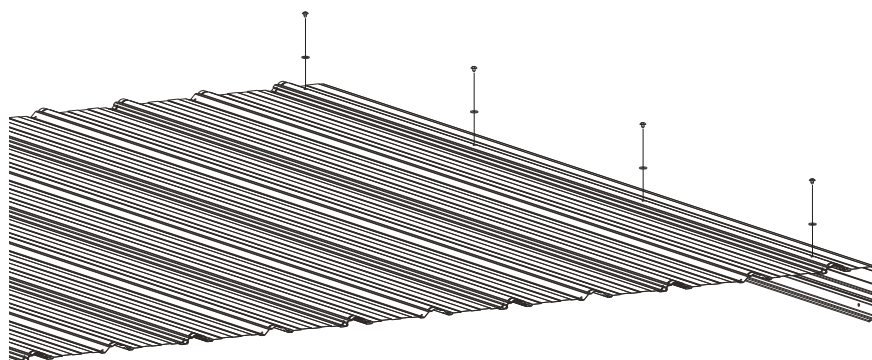
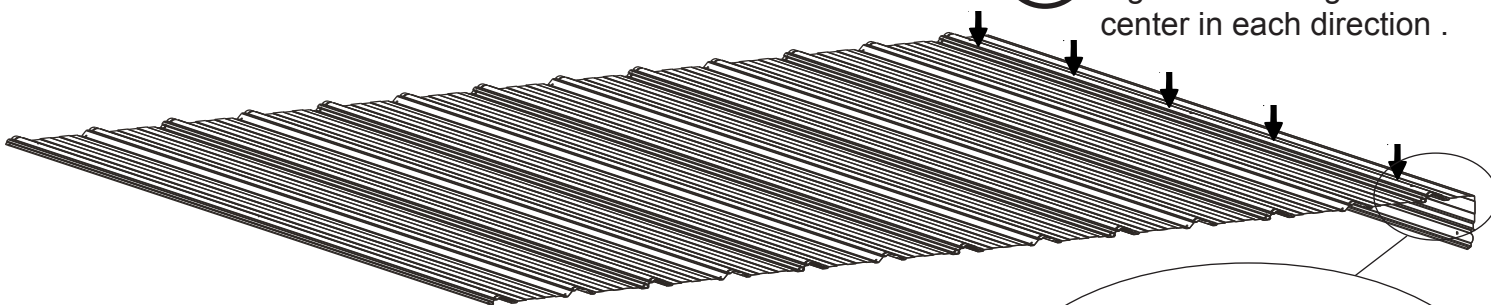


15 Cover **Arrow** on **Corner Panel**.

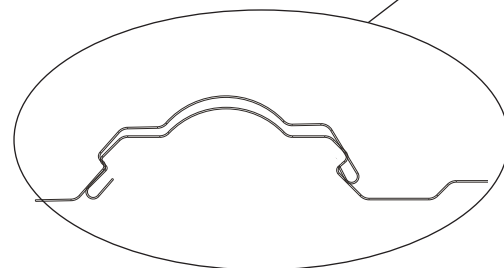


16 Use edge of surface, like your carton, to allow **Corner Panel** to hang down.

17 Push down to snap **Panels** together working from the center in each direction .

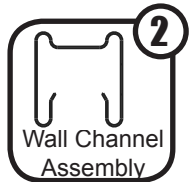


18 Attach **Corner Panel** to **Wall Panel** using four (4) washers and screws.



Step 1: Side Walls

You will need for this page:



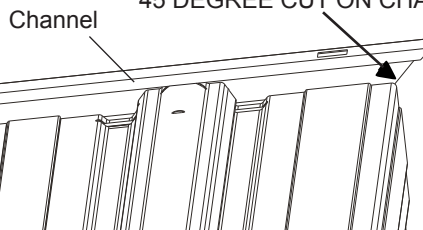
19 Attach **Wall Channel Assembly (Painted)**.

NOTE

ELEVATE PANELS TO MAKE INSTALLING WALL CHANNEL ASSEMBLY EASIER

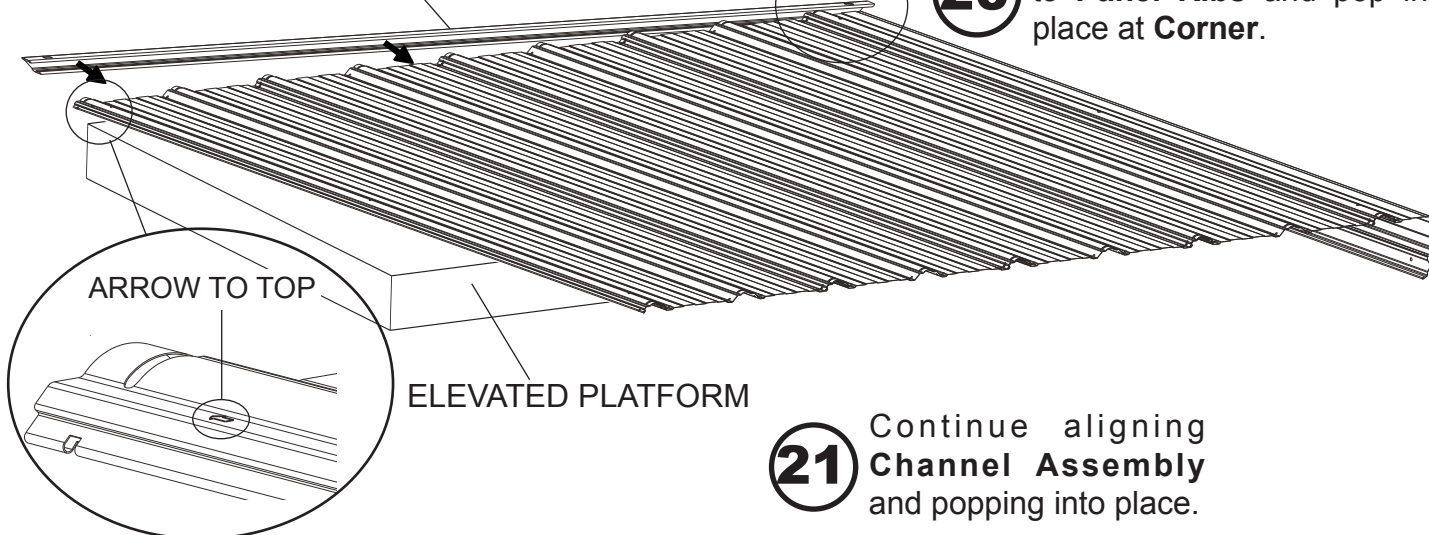
IMPORTANT
START ASSEMBLY AT CORNER PANEL

CORNER MUST BE AGAINST
45 DEGREE CUT ON CHANNEL

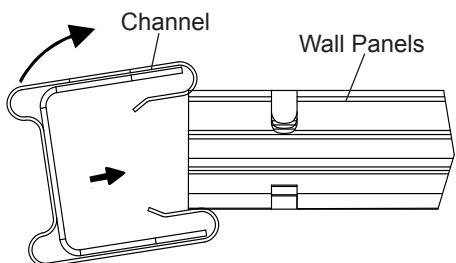


WALL CHANNEL ASSEMBLY
(Painted)

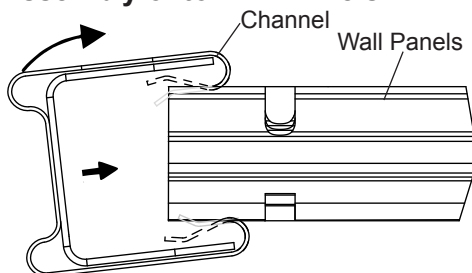
20 Align **Wall Channel Assembly** to **Panel Ribs** and pop into place at **Corner**.



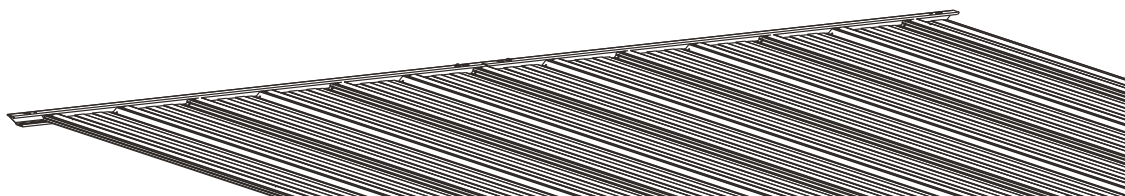
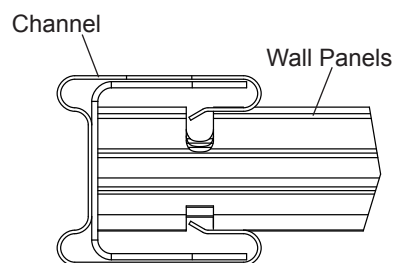
1. Angle Wall Channel Assembly



2. Continue to align Wall Channel Assembly onto Wall Panels

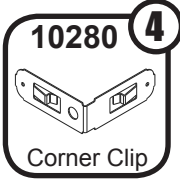
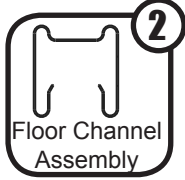


3. Complete Wall Channel Assembly Install.



Step 1: Side Walls

You will need for this page:

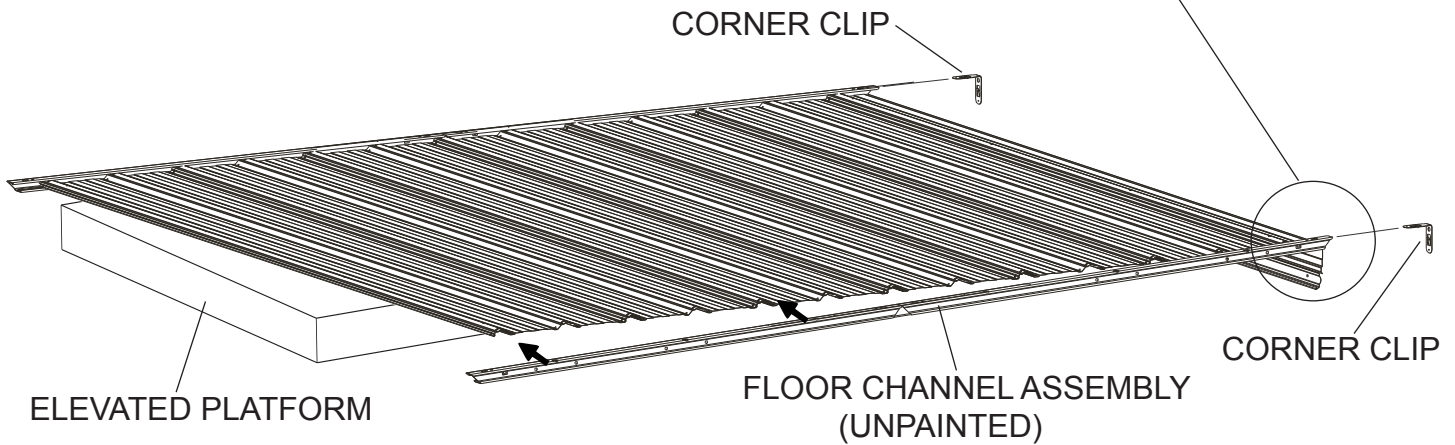
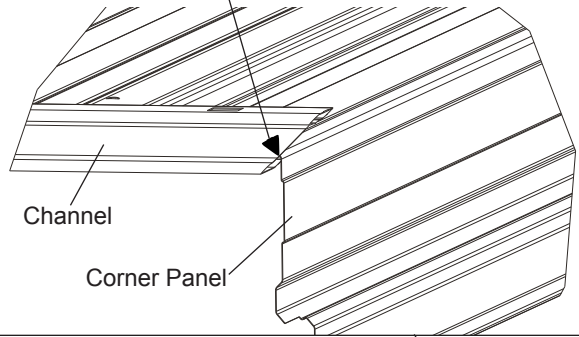


22 Attach Floor Channel Assembly (Unpainted).

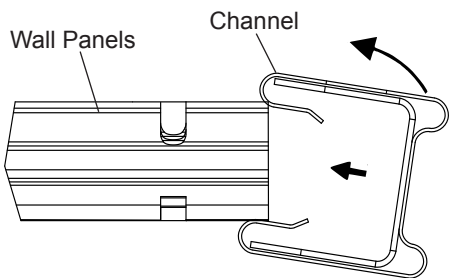
NOTE ELEVATE PANELS TO MAKE INSTALLING WALL CHANNEL ASSEMBLY EASIER

IMPORTANT
START ASSEMBLY AT CORNER PANEL

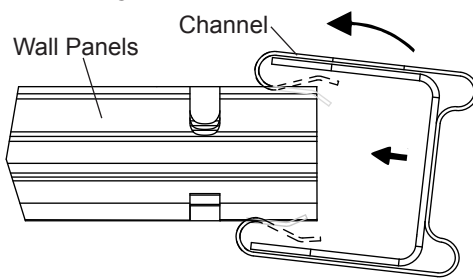
CORNER MUST BE AGAINST 45 DEGREE CUT ON CHANNEL



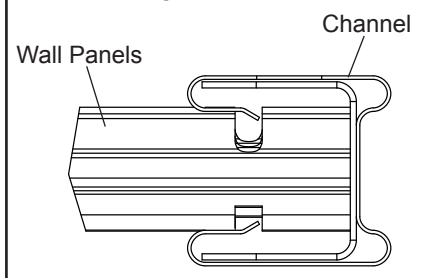
1. Angle Floor Channel Assembly



2. Continue to align Floor Channel Assembly onto Wall Panels



3. Complete Floor Channel Assembly Install.



23 Align Floor Channel Assembly to Panel Ribs and pop into place at Corner.

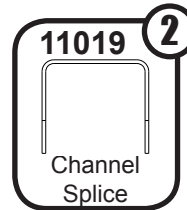
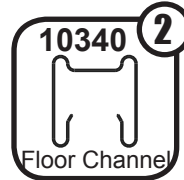
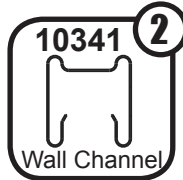
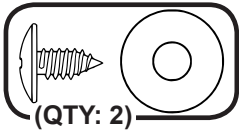
24 Continue aligning Channel Assembly and popping into place.

25 Insert Corner Clips.

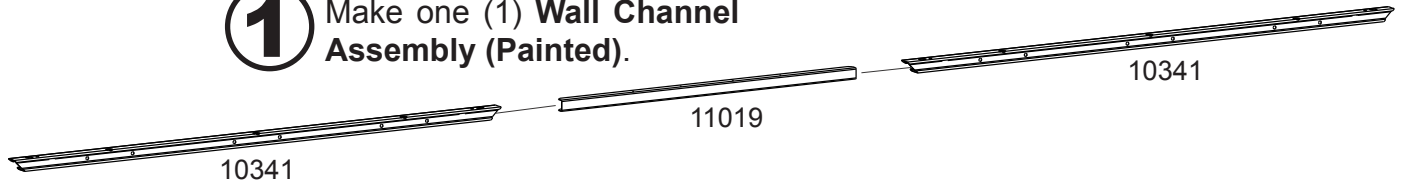
NOTE BE SURE TO MAKE TWO (2) SIDE WALL SECTIONS.

Step 2: Rear Wall

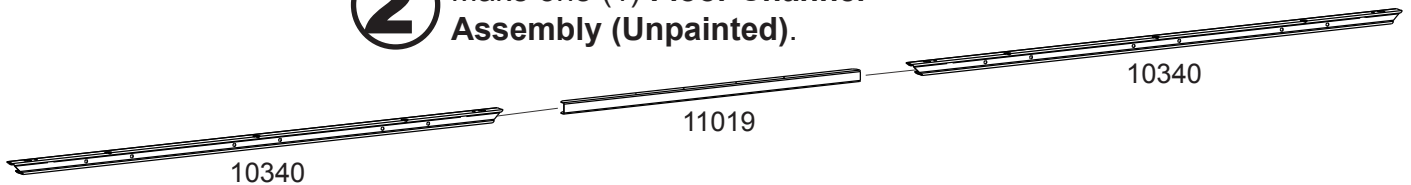
You will need for this page:



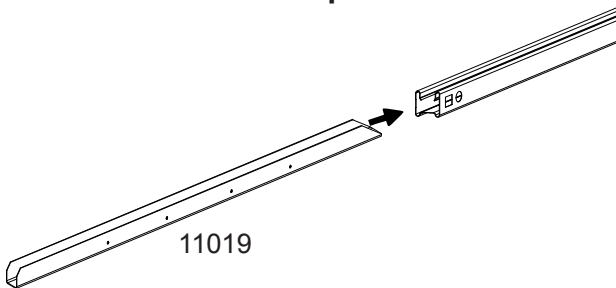
- 1** Make one (1) **Wall Channel Assembly (Painted)**.



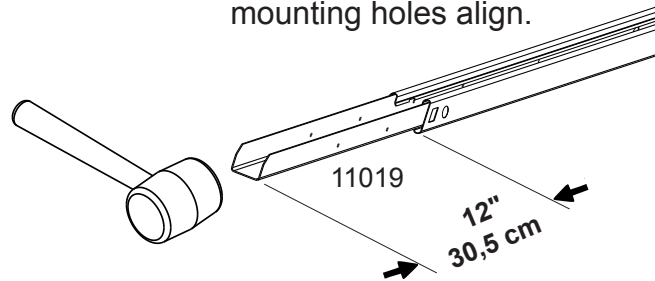
- 2** Make one (1) **Floor Channel Assembly (Unpainted)**.



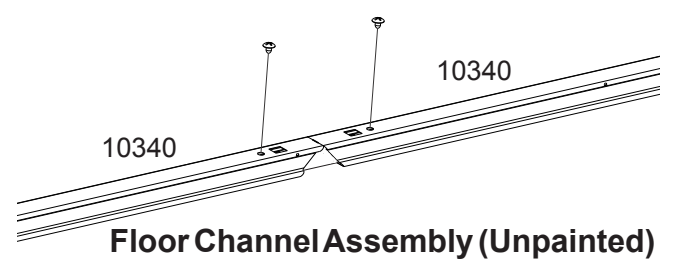
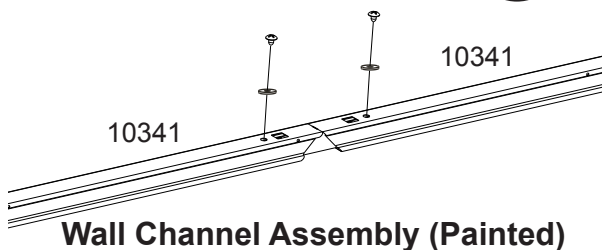
- 3** Turn **Channel** over and insert **Channel Splice**. Use **Tapered** end to start.



- 4** Use rubber mallet and gently tap **Channel Splice** into **Channel** until mounting holes align.

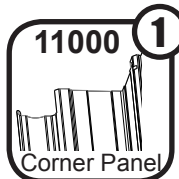
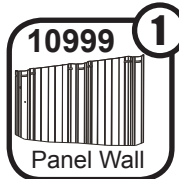
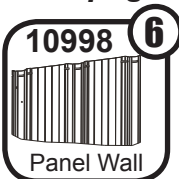
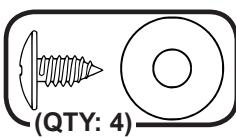


- 5** Join **Channels** and screw together.



Step 2: Rear Wall

You will need for this page:

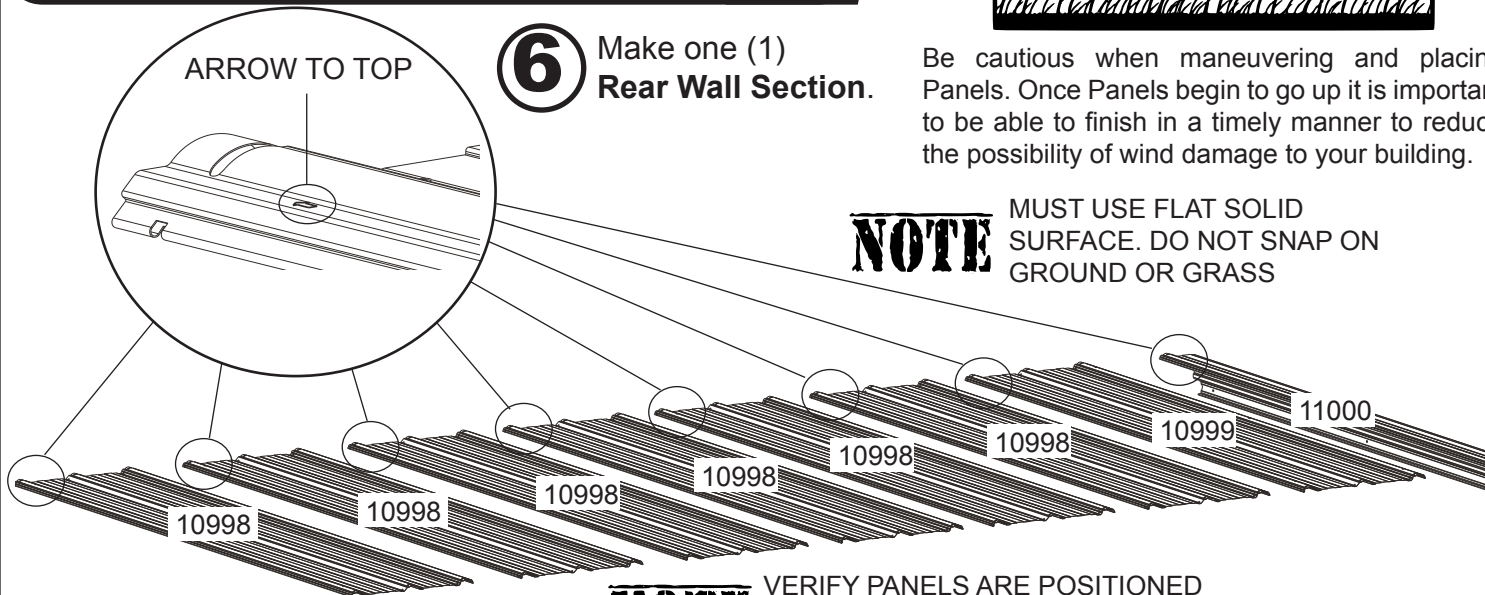


6 Make one (1) Rear Wall Section.

Be cautious when maneuvering and placing Panels. Once Panels begin to go up it is important to be able to finish in a timely manner to reduce the possibility of wind damage to your building.

NOTE

MUST USE FLAT SOLID SURFACE. DO NOT SNAP ON GROUND OR GRASS



NOTE

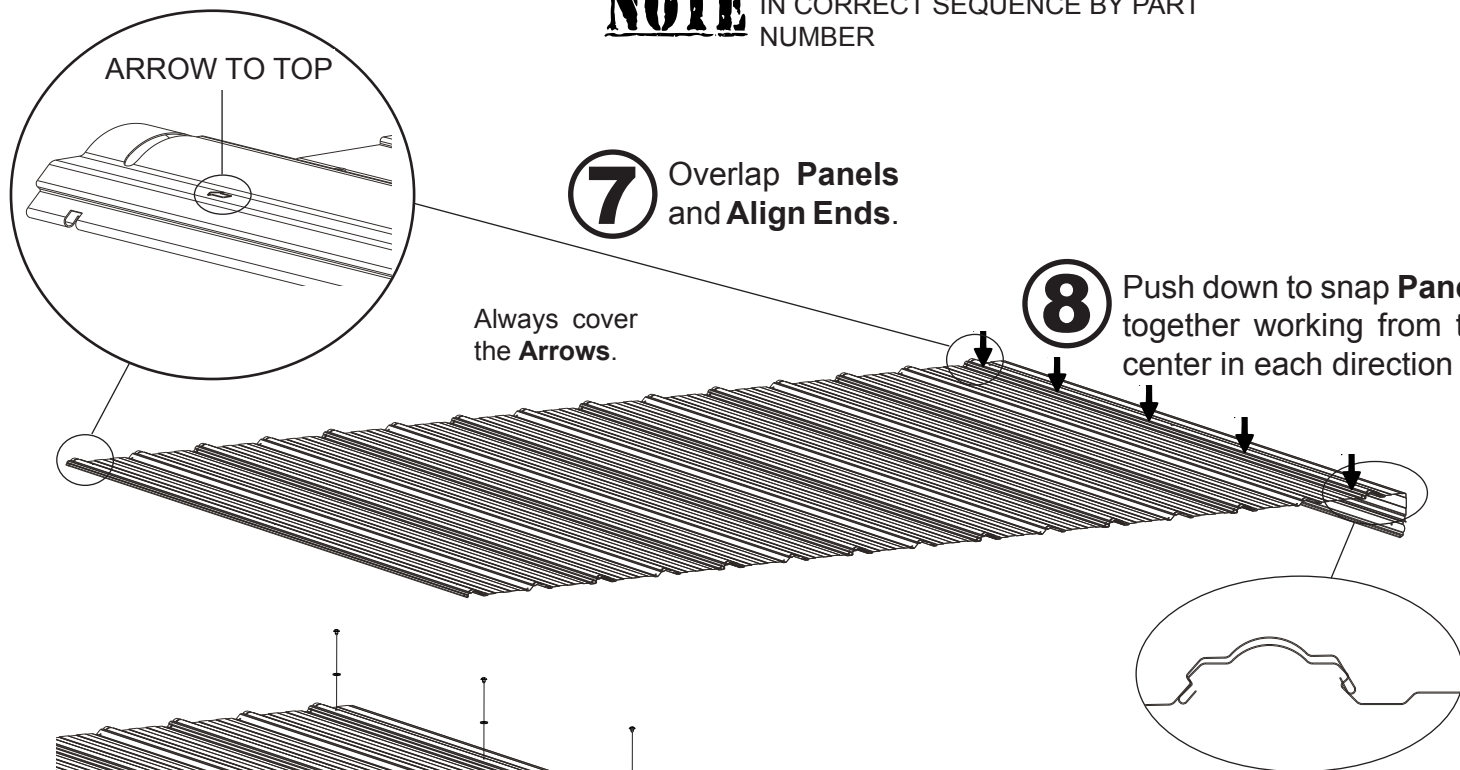
VERIFY PANELS ARE POSITIONED IN CORRECT SEQUENCE BY PART NUMBER

7 Overlap Panels and Align Ends.

Always cover the Arrows.

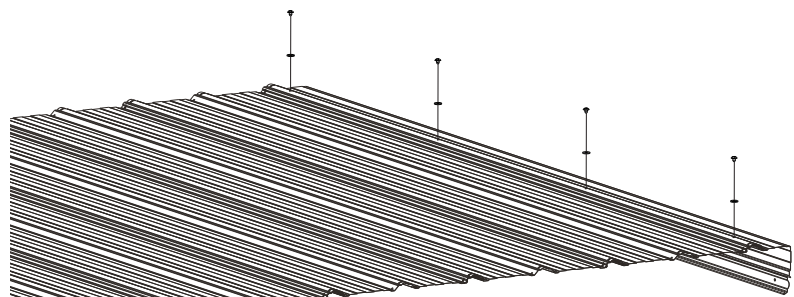
8

Push down to snap Panels together working from the center in each direction .



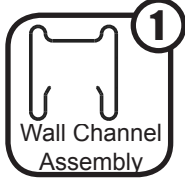
9

Attach Corner Panel to Wall Panel using four (4) washers and screws.



Step 2: Rear Wall

You will need for this page:



Wall Channel Assembly

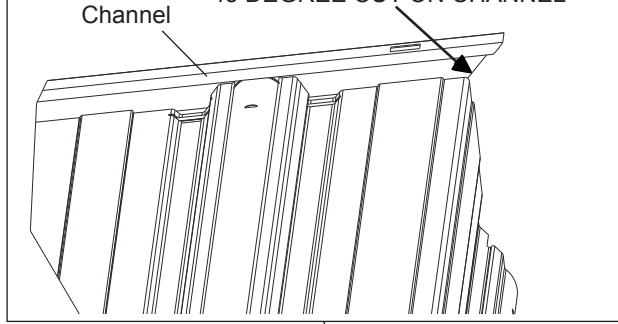
10 Attach **Wall Channel Assembly (Painted)**.

NOTE ELEVATE PANELS TO MAKE INSTALLING WALL CHANNEL ASSEMBLY EASIER

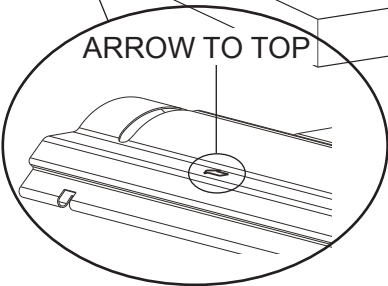
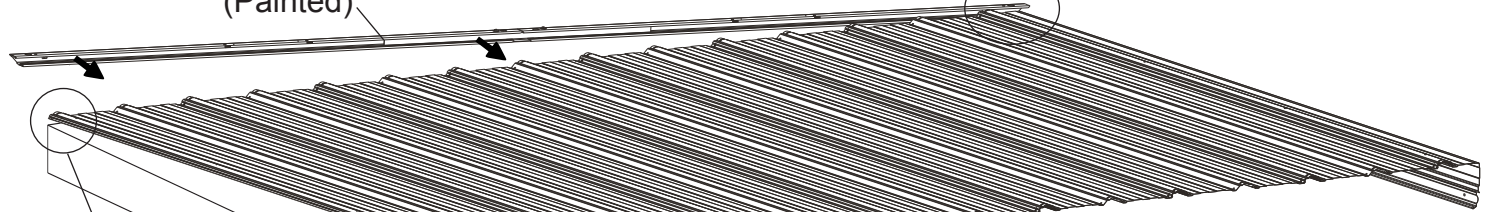
11 Align **Wall Channel Assembly** to **Panel Ribs** and pop into place at **Corner**.

IMPORTANT START ASSEMBLY AT CORNER PANEL

CORNER MUST BE AGAINST 45 DEGREE CUT ON CHANNEL



WALL CHANNEL ASSEMBLY (Painted)

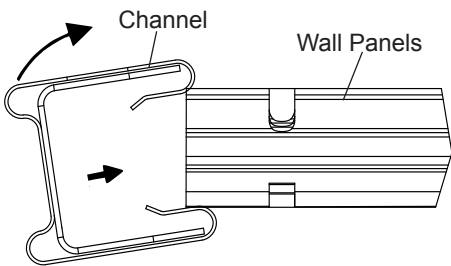


ARROW TO TOP

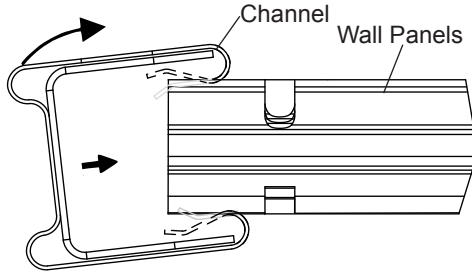
ELEVATED PLATFORM

12 Continue aligning **Channel Assembly** and popping into place.

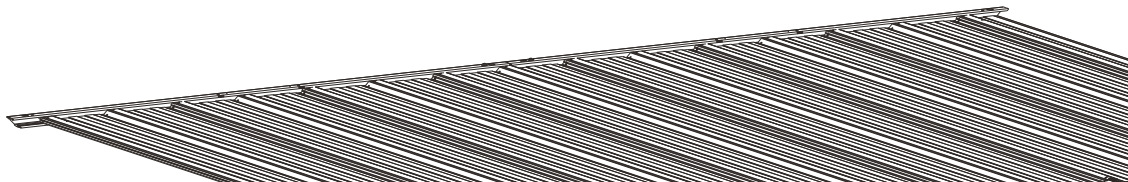
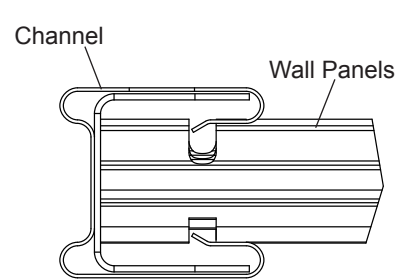
1. Angle Wall Channel Assembly



2. Continue to align Wall Channel Assembly onto Wall Panels

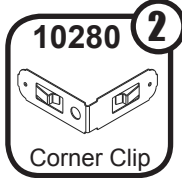


3. Complete Wall Channel Assembly Install.



Step 2: Rear Wall

You will need for this page:

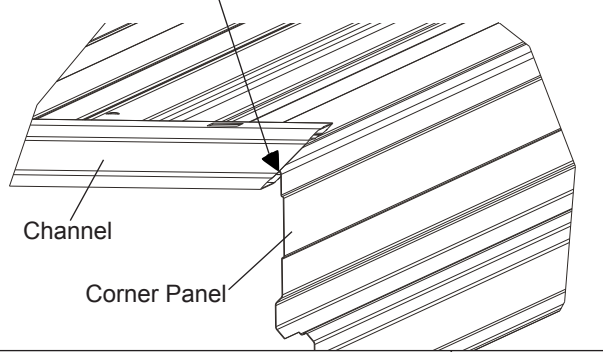


13 Attach **Floor Channel Assembly (Unpainted)**.

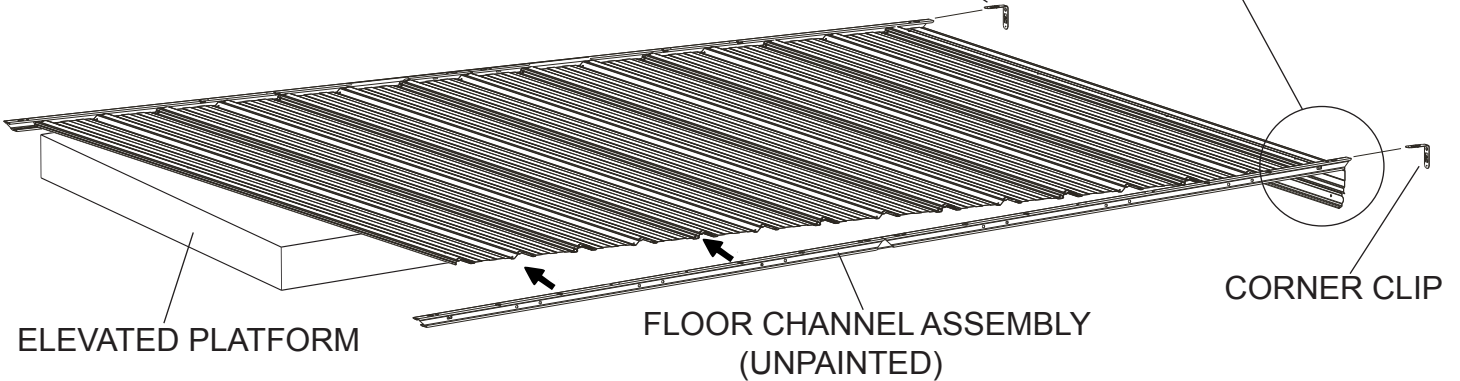
NOTE ELEVATE PANELS TO MAKE INSTALLING WALL CHANNEL ASSEMBLY EASIER

IMPORTANT
START ASSEMBLY AT CORNER PANEL

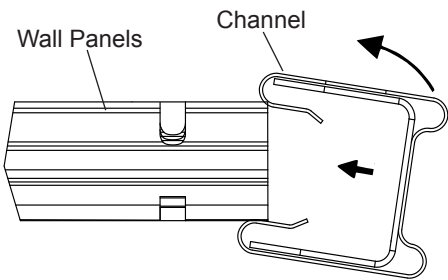
CORNER MUST BE AGAINST 45 DEGREE CUT ON CHANNEL



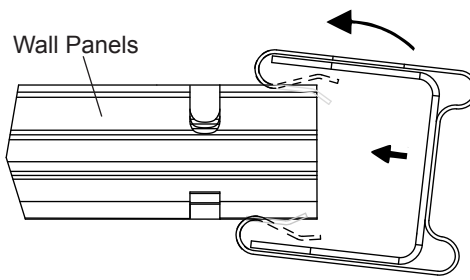
CORNER CLIP



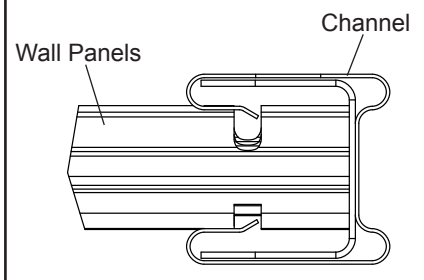
1. Angle Floor Channel Assembly



2. Continue to align Floor Channel Assembly onto Wall Panels



3. Complete Floor Channel Assembly Install.



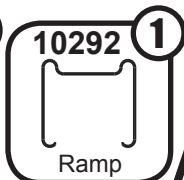
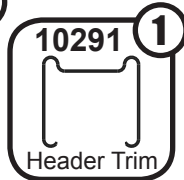
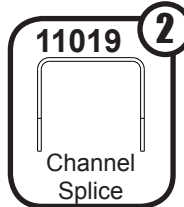
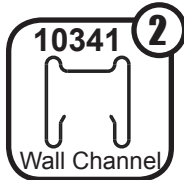
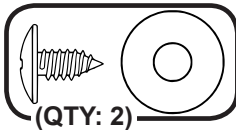
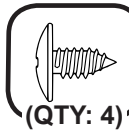
14 Align **Floor Channel Assembly** to **Panel Ribs** and pop into place at **Corner**.

15 Continue aligning **Channel Assembly** and popping into place.

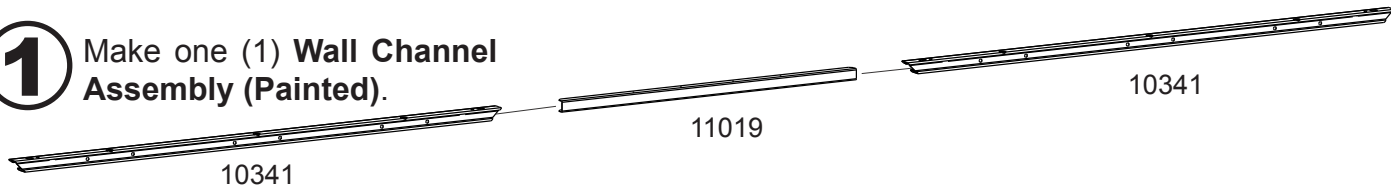
16 Insert **Corner Clips**.

Step 3: Front Wall

You will need for this page:



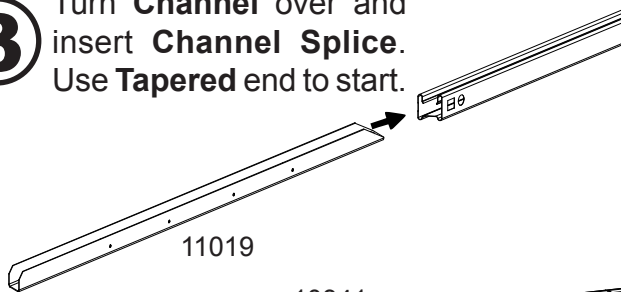
1 Make one (1) **Wall Channel Assembly (Painted)**.



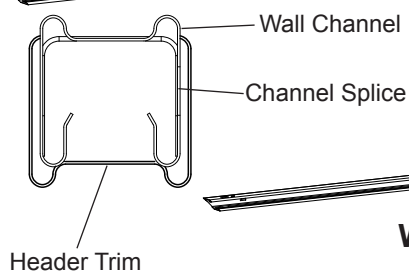
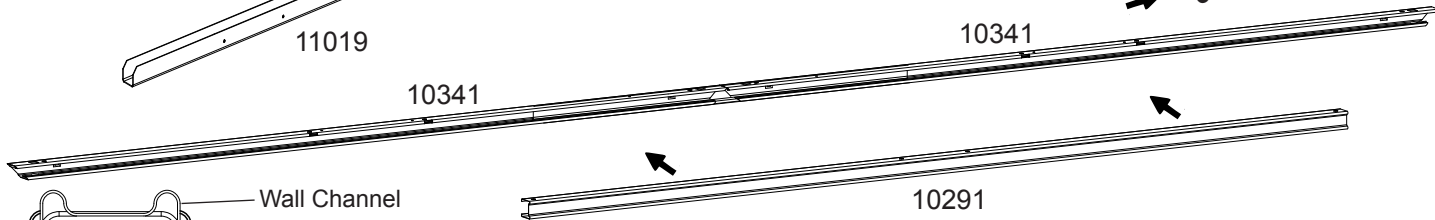
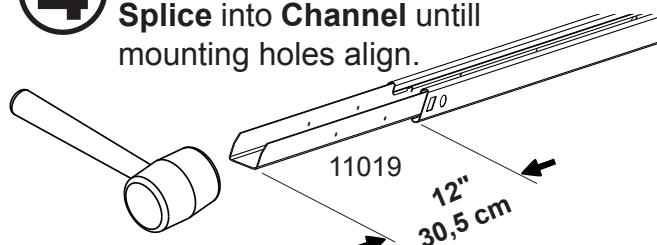
2 Make one (1) **Floor Channel Assembly (Unpainted)**.



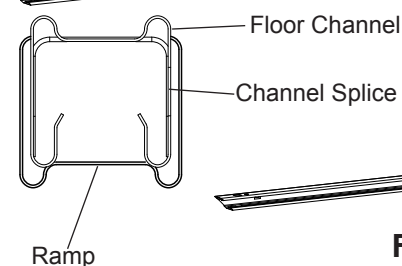
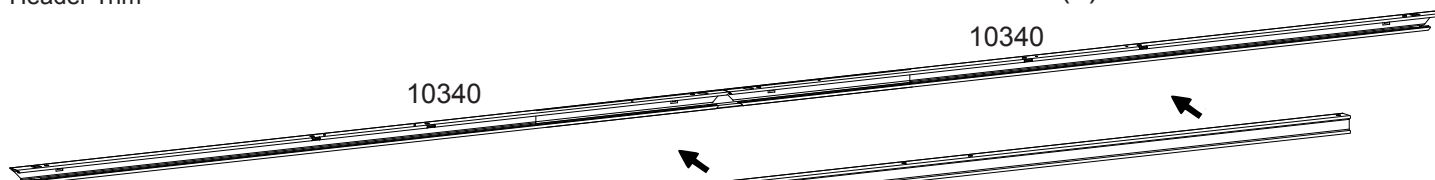
3 Turn **Channel** over and insert **Channel Splice**. Use **Tapered** end to start.



4 Use rubber mallet and gently tap **Channel Splice** into **Channel** until mounting holes align.



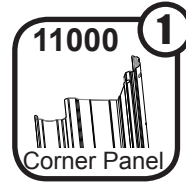
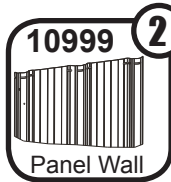
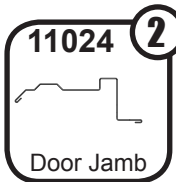
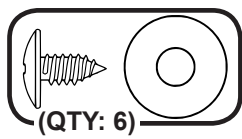
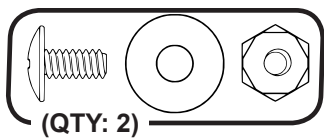
5 Join **Channels**, attach **Header Trim** and screw together using two (2) washers and screws.



6 Join **Channels**, attach **Ramp** and screw together using four (4) screws.

Step 3: Front Wall

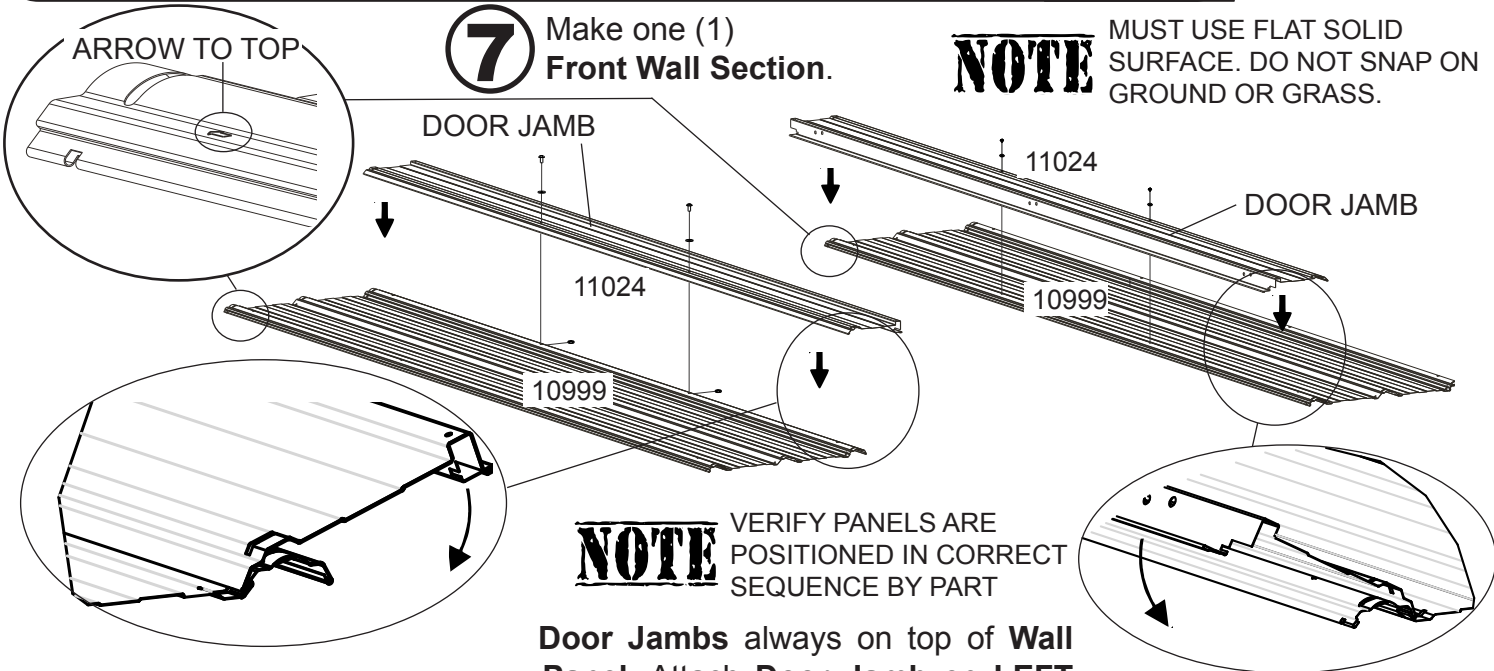
You will need for this page:



7 Make one (1) Front Wall Section.

NOTE

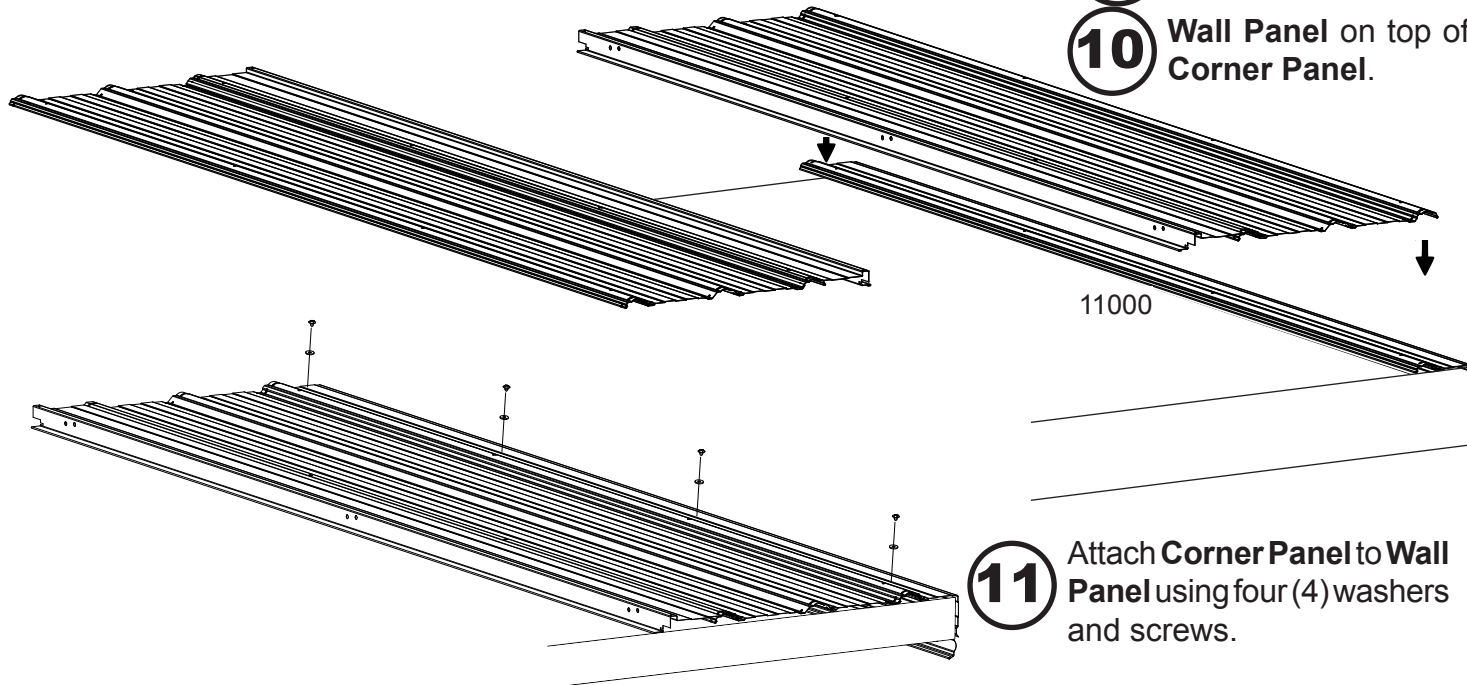
MUST USE FLAT SOLID SURFACE. DO NOT SNAP ON GROUND OR GRASS.



8 Door Jamb always on top of Wall Panel. Attach Door Jamb on LEFT using two (2) washers, nuts and bolts and attach Door Jamb on RIGHT using two (2) washers and screws.

9 Install Corner Panel.

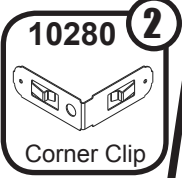
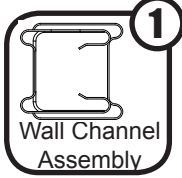
10 Wall Panel on top of Corner Panel.



11 Attach Corner Panel to Wall Panel using four (4) washers and screws.

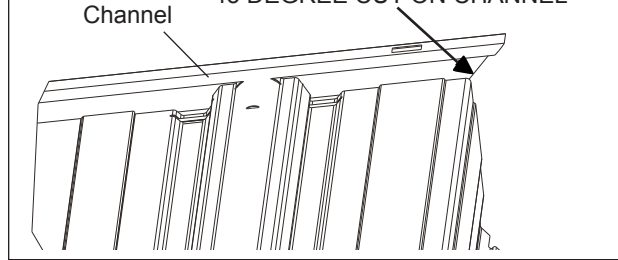
Step 3: Front Wall

You will need for this page:



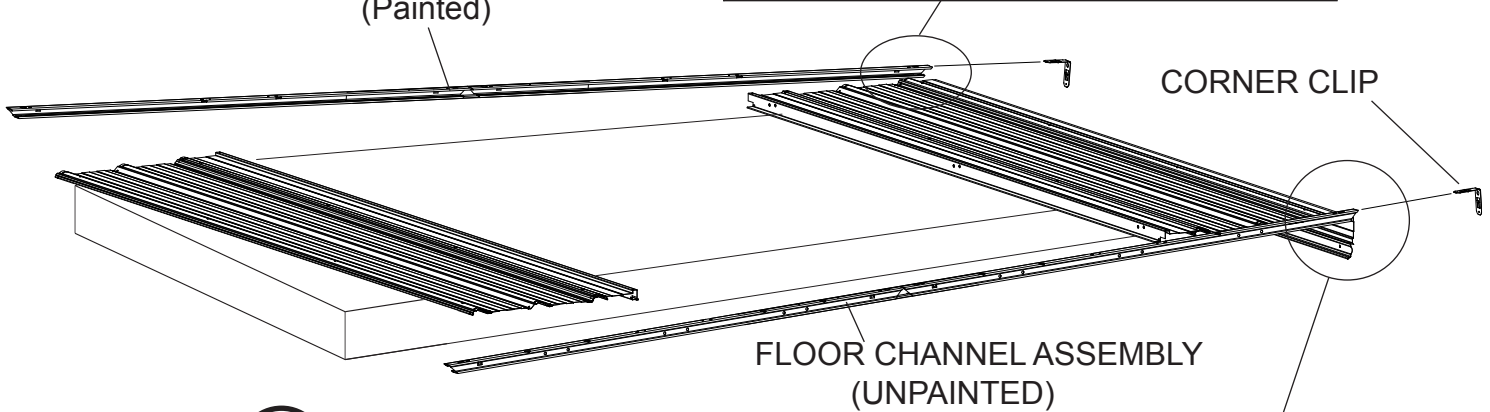
IMPORTANT
START ASSEMBLY AT CORNER PANEL

CORNER MUST BE AGAINST
45 DEGREE CUT ON CHANNEL



12 Attach Wall Channel Assembly (Painted).

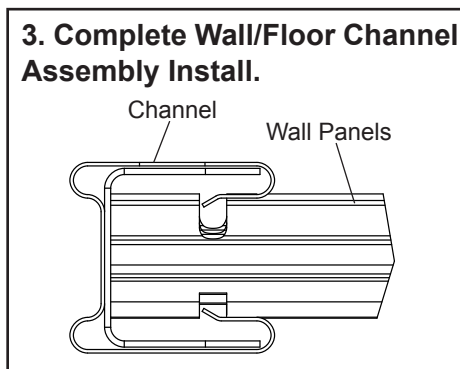
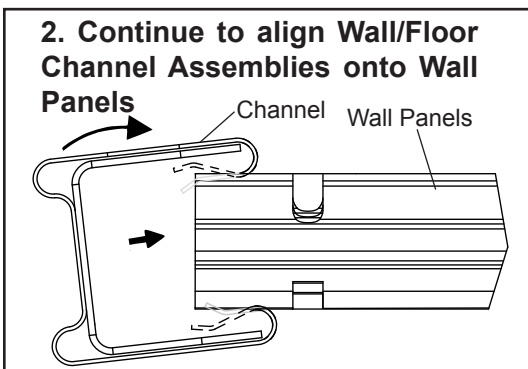
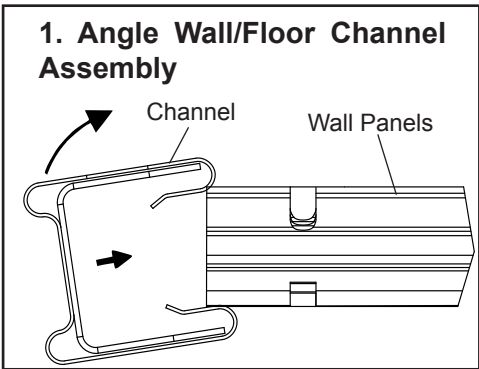
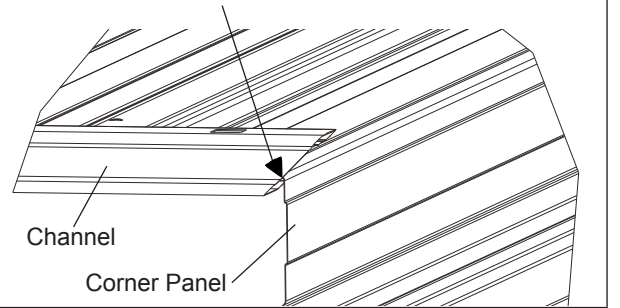
WALL CHANNEL ASSEMBLY (Painted)



13 Attach Floor Channel Assembly (Unpainted).

IMPORTANT
START ASSEMBLY AT CORNER PANEL

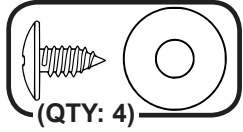
CORNER MUST BE AGAINST
45 DEGREE CUT ON CHANNEL



14 Insert Corner Clips.

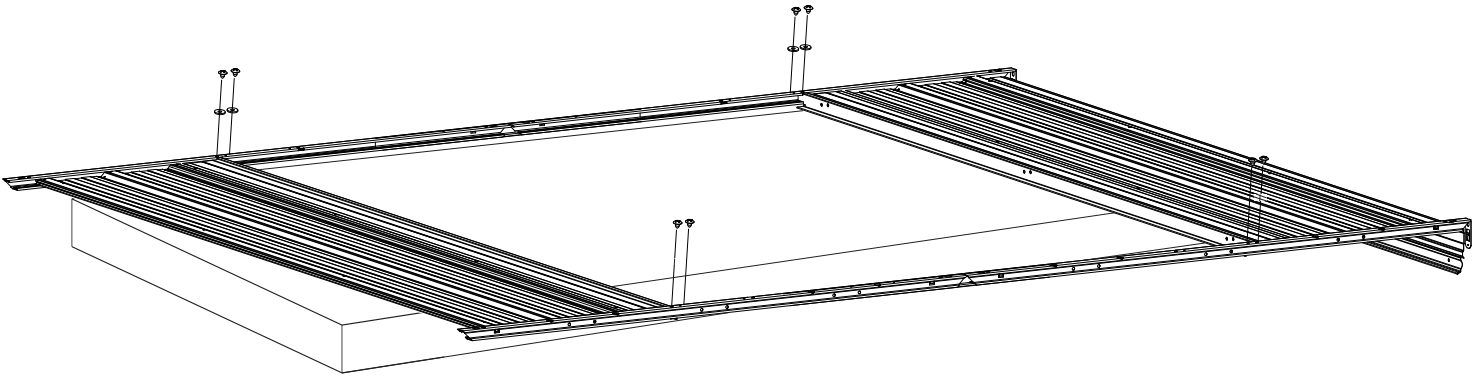
Step 3: Front Wall

You will need for this page:



- 15** Secure **Wall Channel Assembly (Painted)** using two (2) washers and screws.

- 16** Secure **Header Trim to Wall Channel Assembly (Painted)** using two (2) washers and screws.

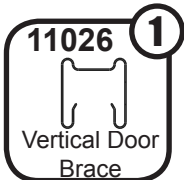
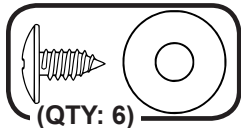


- 17** Secure **Floor Channel Assembly (Unpainted)** using two (2) screws.

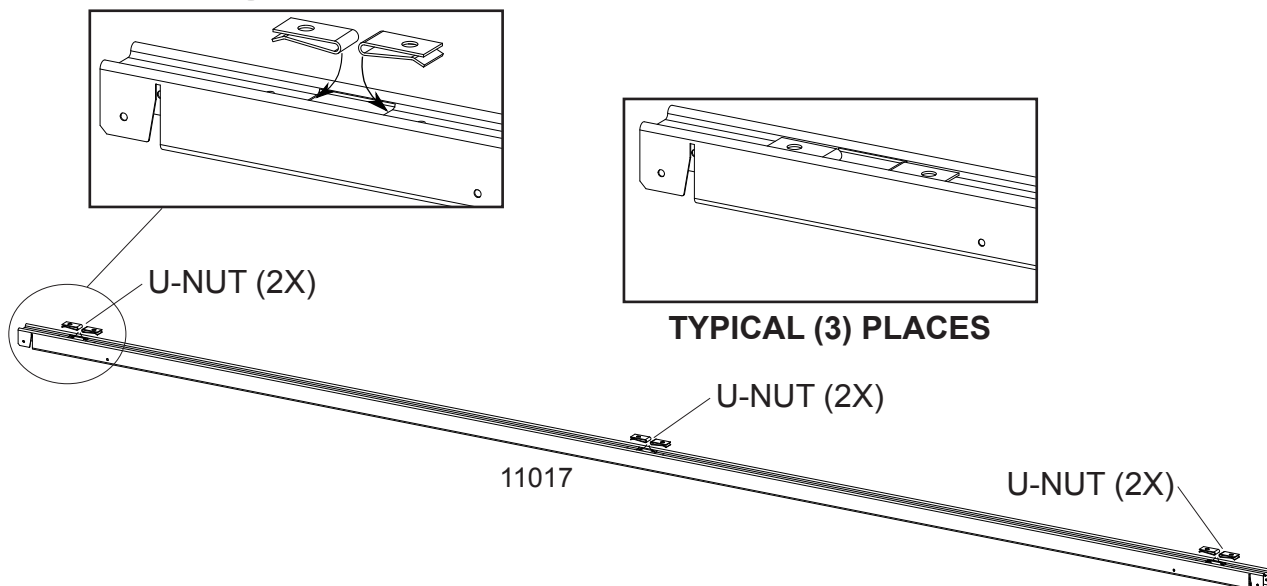
- 18** Secure **Ramp to Floor Channel Assembly (Unpainted)** using two (2) screws.

Step 4: Right Door Assy

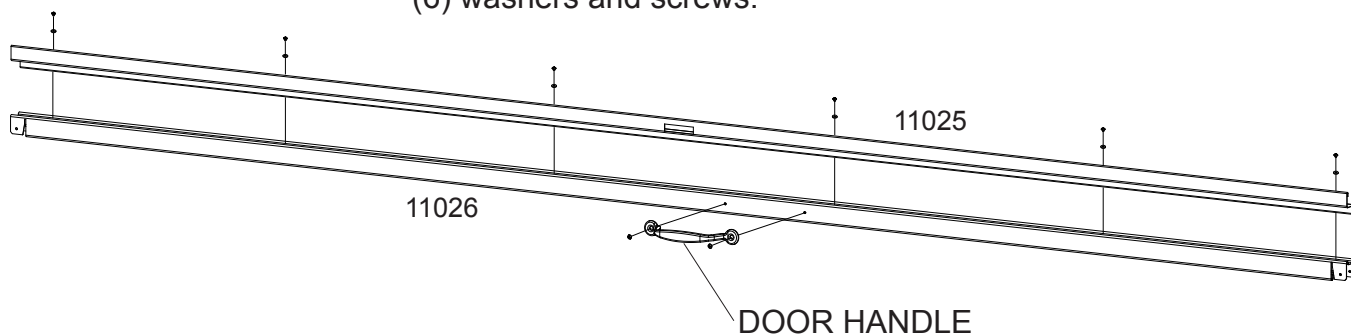
You will need for this page:



1 Attach **U-Nuts** onto **Vertical Door Brace**.

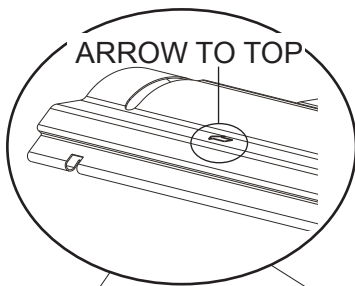
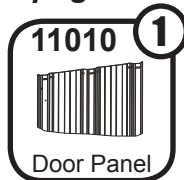
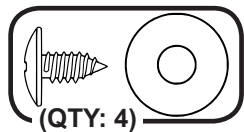


2 Attach **Door Handle** to **Vertical Door Brace** using two (2) screws and **Astragal** using six (6) washers and screws.



Step 4: Right Door Assy

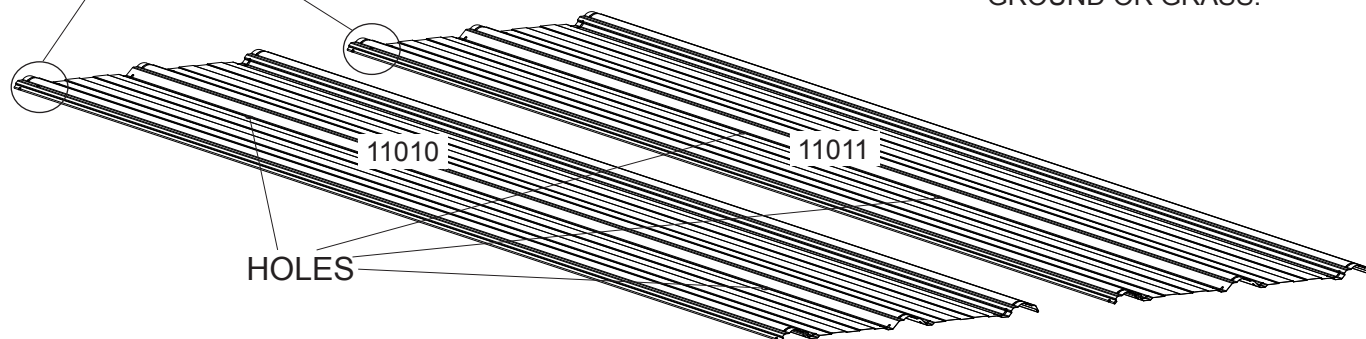
You will need for this page:



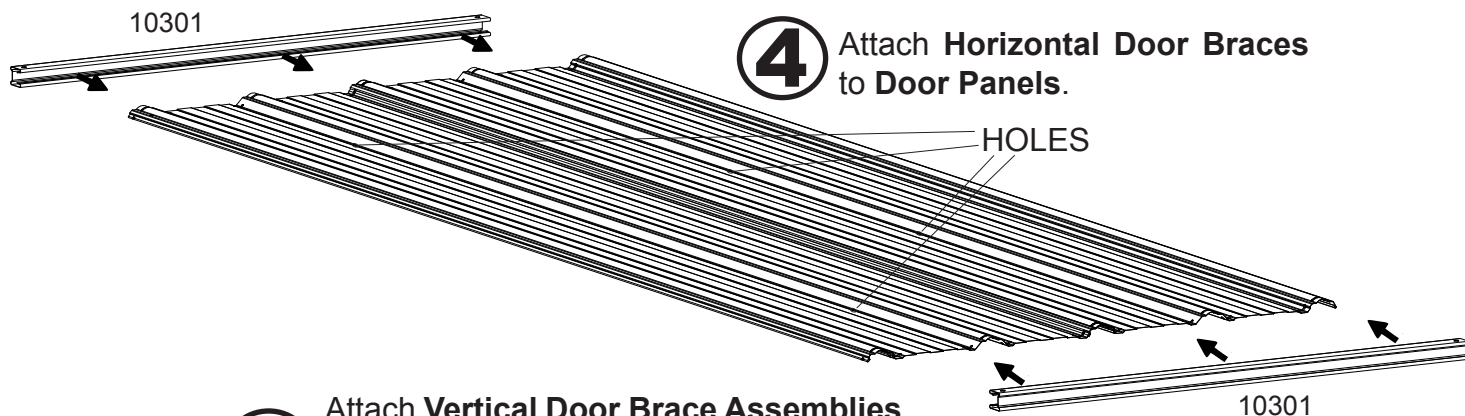
3 Overlap **Door Panels**, align ends and snap **Panel Ribs** together.

NOTE

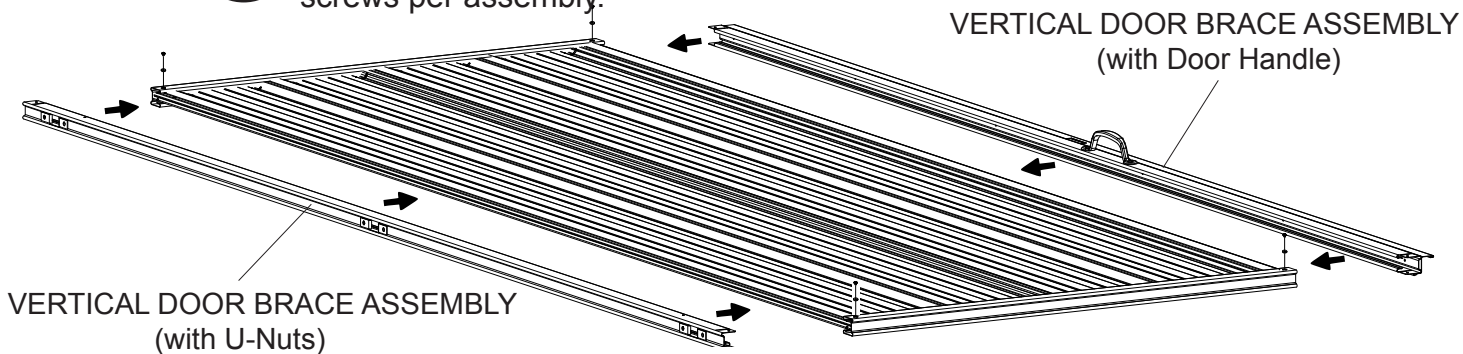
MUST USE FLAT SOLID SURFACE. DO NOT SNAP ON GROUND OR GRASS.



4 Attach **Horizontal Door Braces** to **Door Panels**.



5 Attach **Vertical Door Brace Assemblies** to **Door Panels** using two (2) washers and screws per assembly.



Step 4: Right Door Assy

You will need for this page:



(QTY: 8)



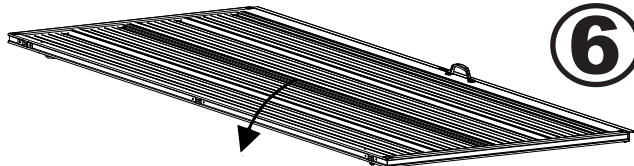
(QTY: 3)

10295

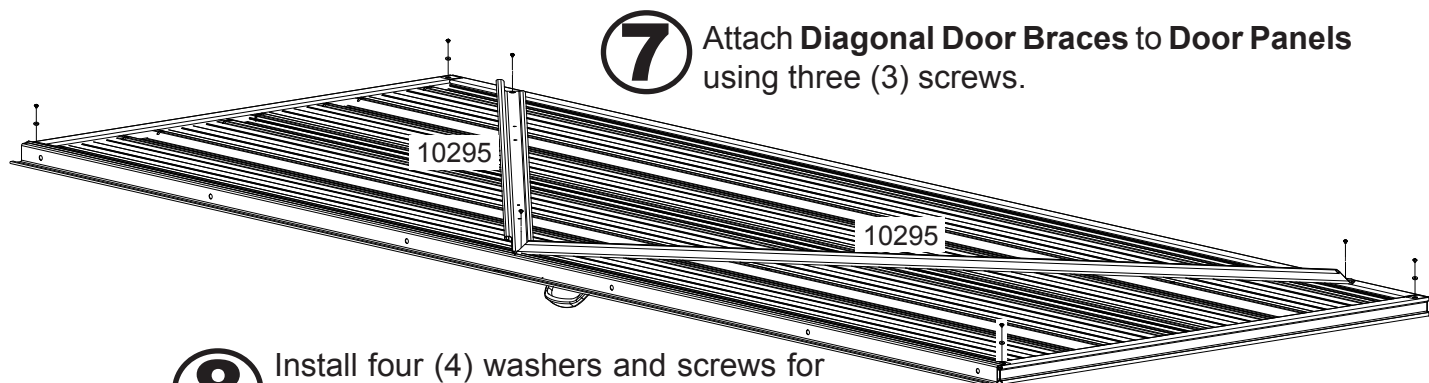
2



Diagonal
Door Brace

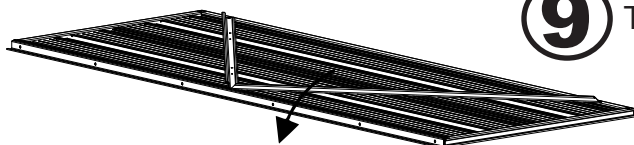


6 Turn **Door** over.

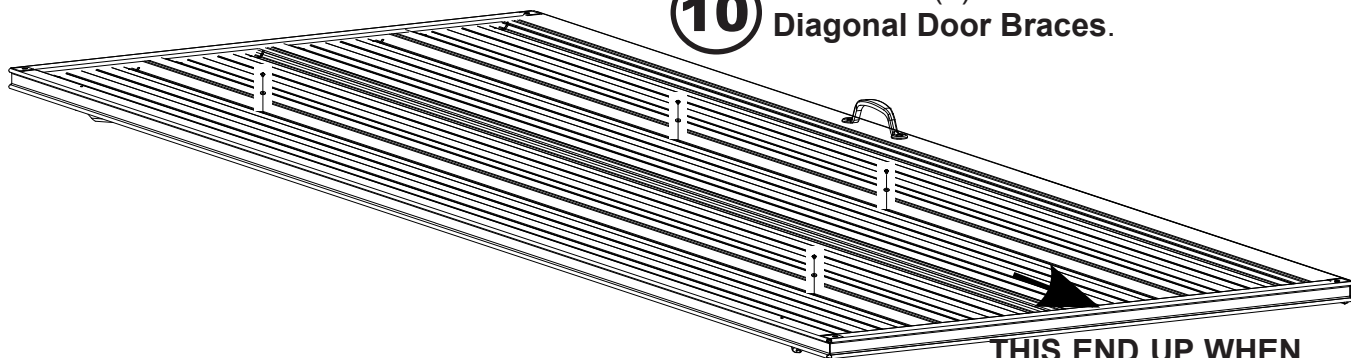


7 Attach **Diagonal Door Braces** to **Door Panels** using three (3) screws.

8 Install four (4) washers and screws for **Horizontal Door Braces**.



9 Turn **Door** over.

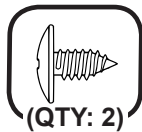


10 Install four (4) washers and screws for **Diagonal Door Braces**.

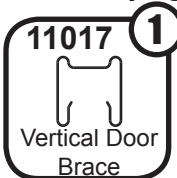
**THIS END UP WHEN
HANGING DOOR**

Step 5: Left Door Assy

You will need for this page:



(QTY: 2)



11017 1
Vertical Door
Brace



11027 1
Vertical Door
Brace

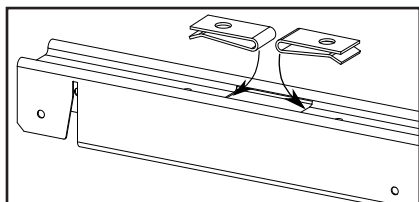


66721 6
U-Nut
(Door Clip)

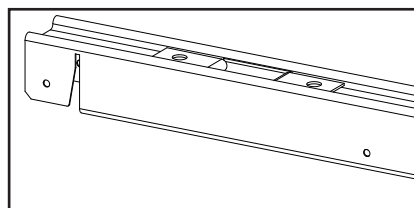


66716 1
Padlock
Eyelet

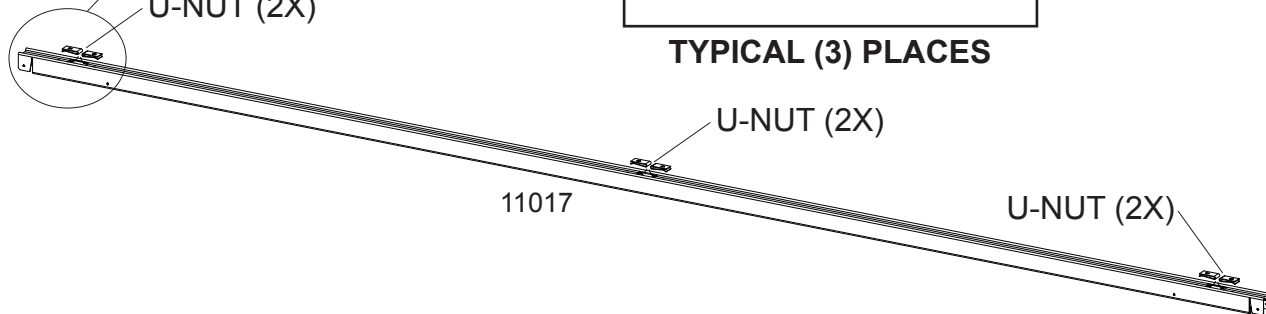
1 Attach **U-Nuts** onto **Vertical Door Brace**.



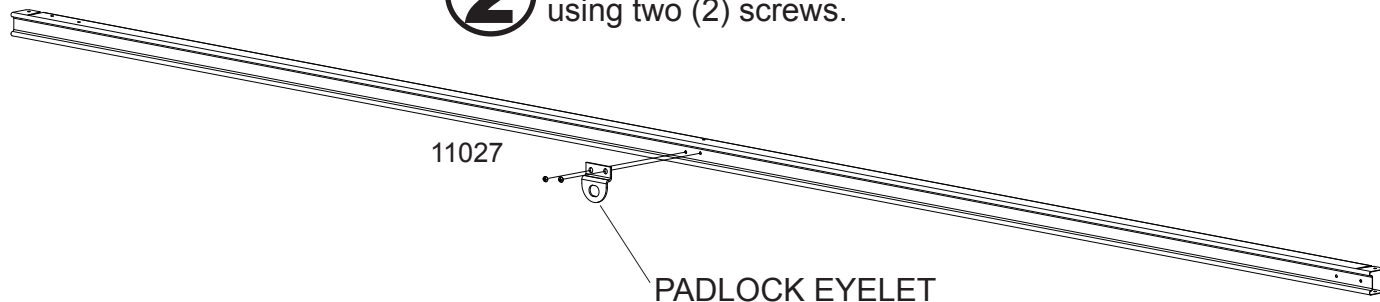
U-NUT (2X)



TYPICAL (3) PLACES

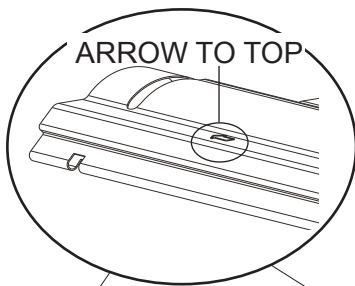
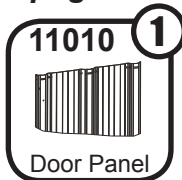
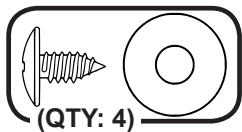


2 Attach **Padlock Eyelet** to **Vertical Door Brace** using two (2) screws.



Step 5: Left Door Assy

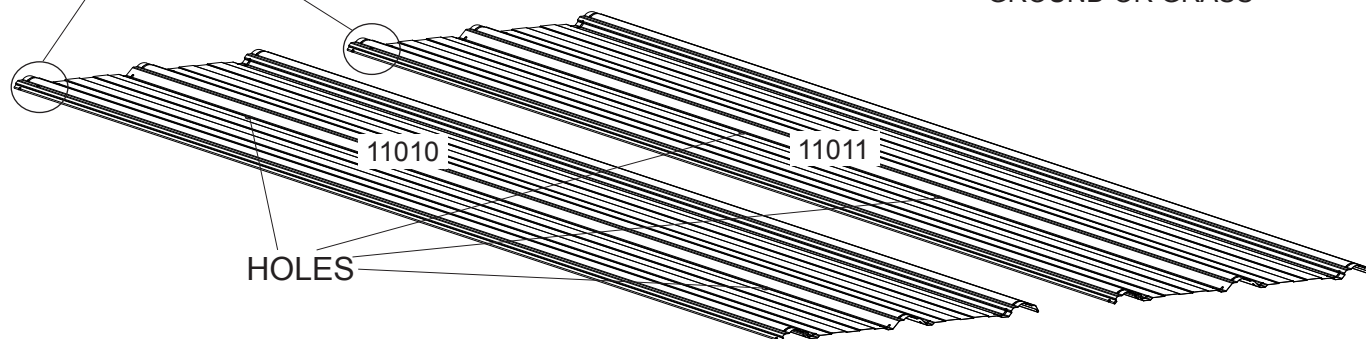
You will need for this page:



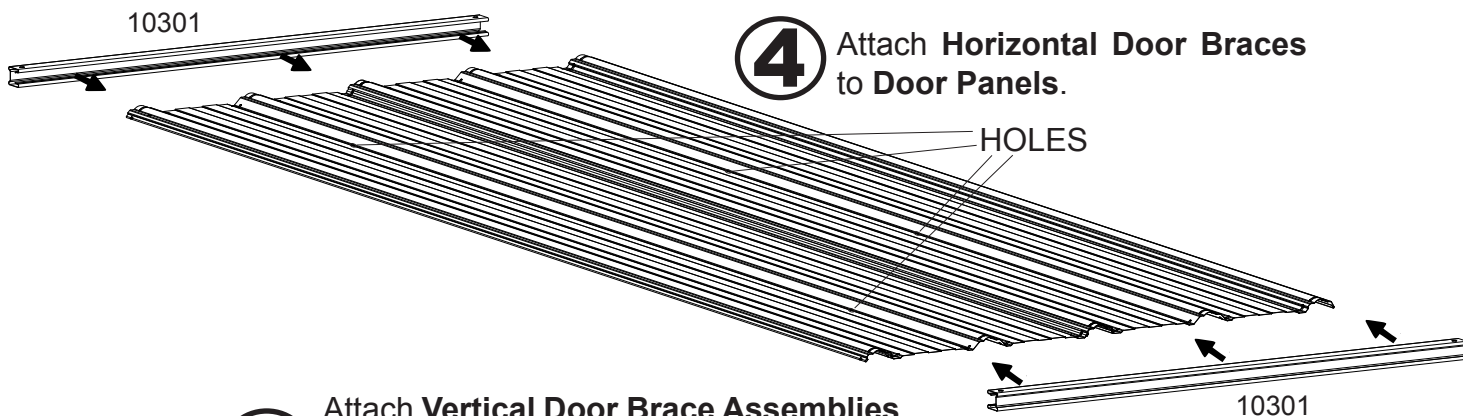
3 Overlap **Door Panels**, align ends and snap **Panel Ribs** together.

NOTE

MUST USE FLAT SOLID SURFACE. DO NOT SNAP ON GROUND OR GRASS

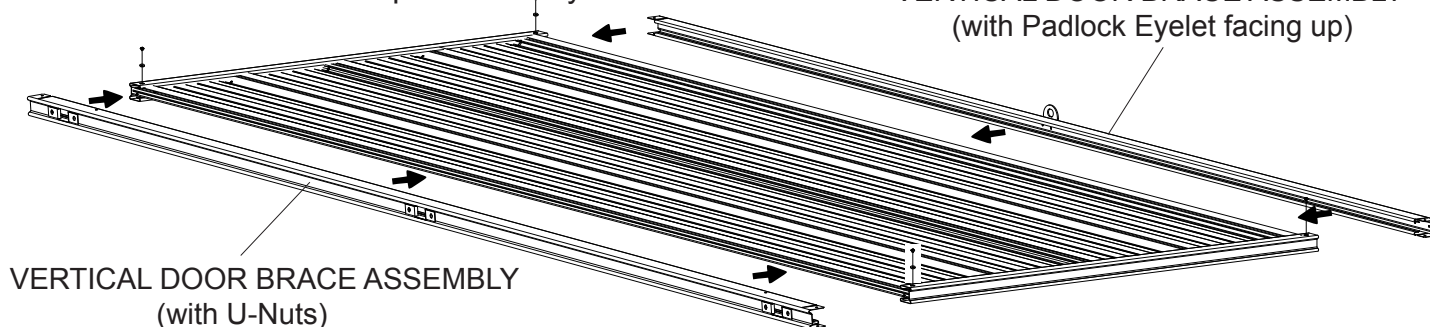


4 Attach **Horizontal Door Braces** to **Door Panels**.



5 Attach **Vertical Door Brace Assemblies** to **Door Panels** using two (2) washers and screws per assembly.

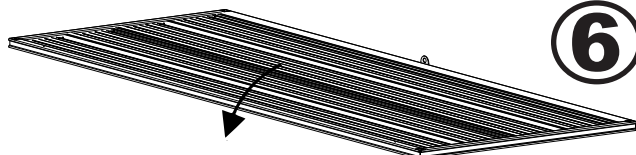
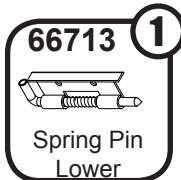
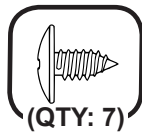
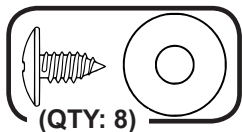
VERTICAL DOOR BRACE ASSEMBLY
(with Padlock Eyelet facing up)



VERTICAL DOOR BRACE ASSEMBLY
(with U-Nuts)

Step 5: Left Door Assy

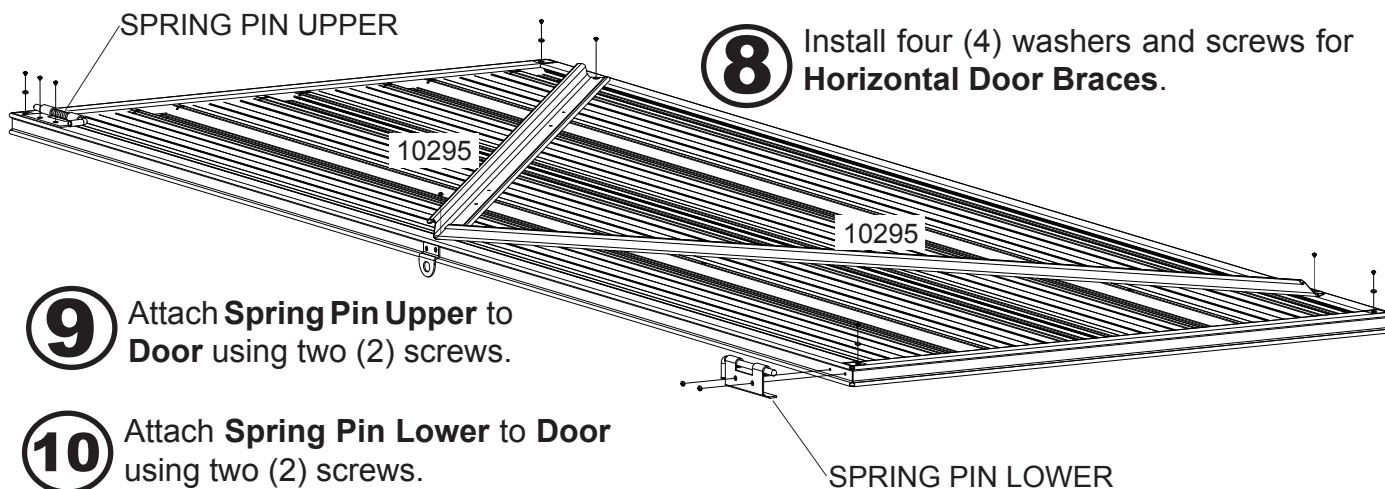
You will need for this page:



6 Turn **Door** over.

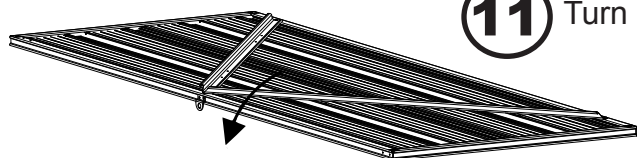
7 Attach **Diagonal Door Braces** to **Door Panels** using three (3) screws.

8 Install four (4) washers and screws for **Horizontal Door Braces**.



9 Attach **Spring Pin Upper** to **Door** using two (2) screws.

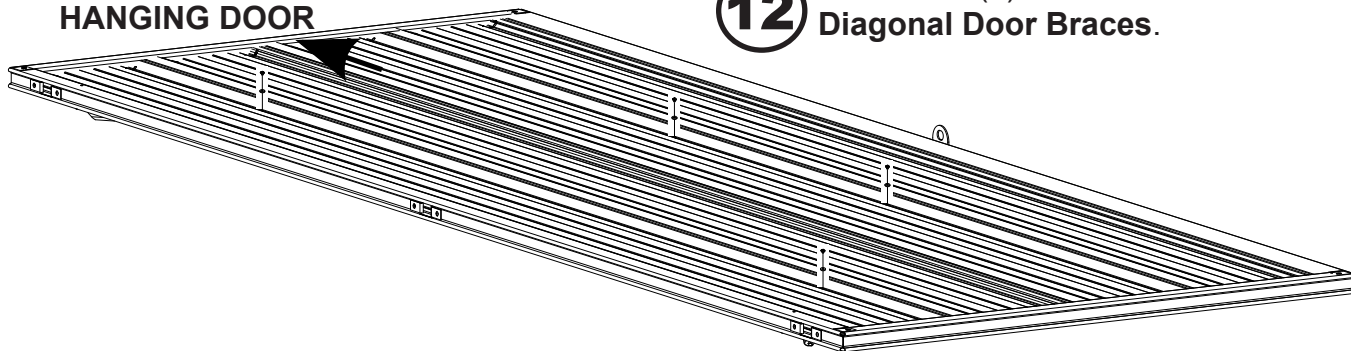
10 Attach **Spring Pin Lower** to **Door** using two (2) screws.



11 Turn **Door** over.

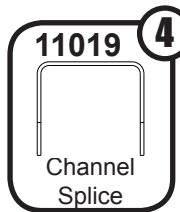
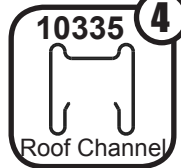
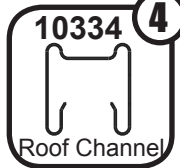
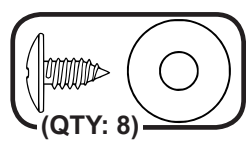
**THIS END UP WHEN
HANGING DOOR**

12 Install four (4) washers and screws for **Diagonal Door Braces**.

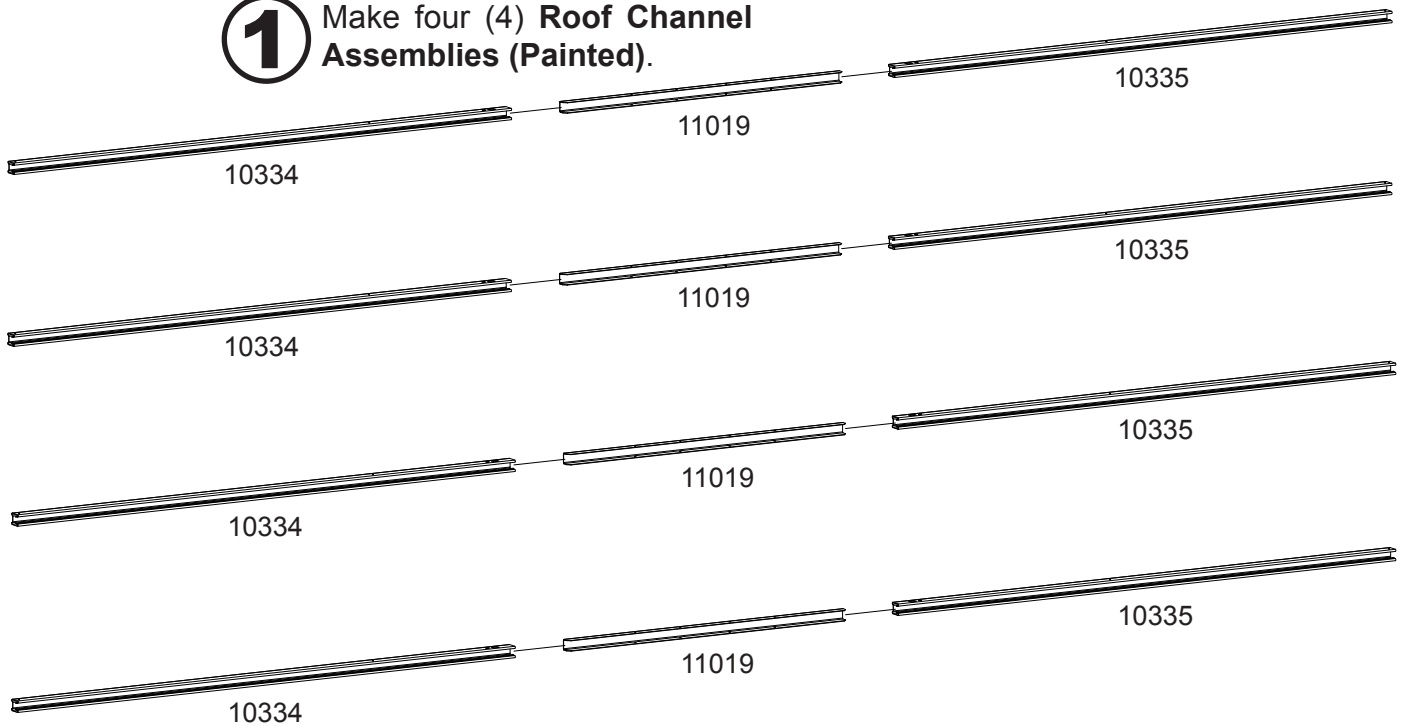


Step 6: Roof pre-assy

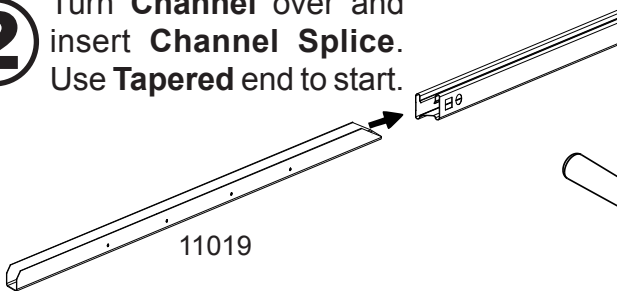
You will need for this page:



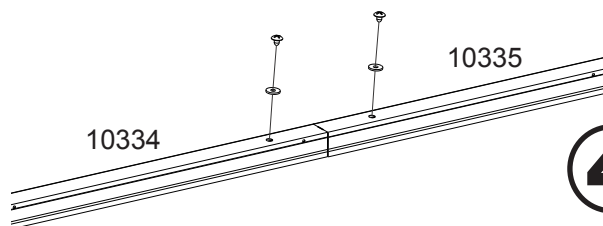
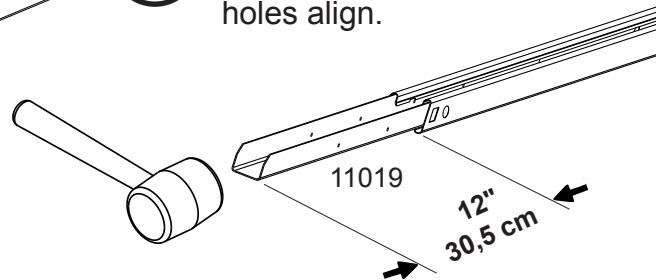
1 Make four (4) **Roof Channel Assemblies (Painted)**.



2 Turn **Channel** over and insert **Channel Splice**. Use **Tapered** end to start.



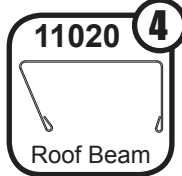
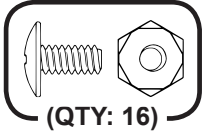
3 Use rubber mallet and gently tap **Channel Splice** into **Channel** until mounting holes align.



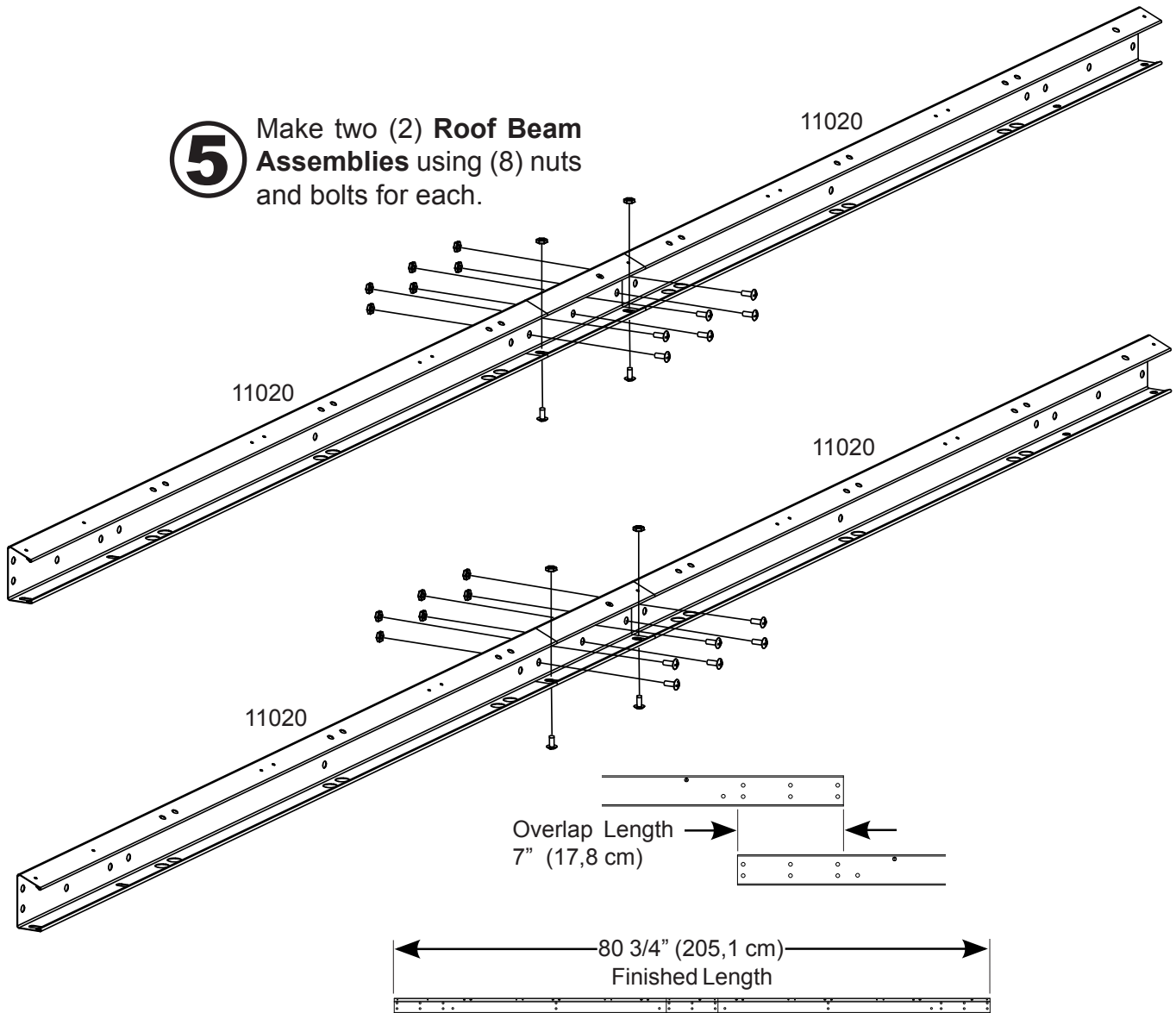
4 Join **Channels** and screw together.

Step 6: Roof pre-assy

You will need for this page:

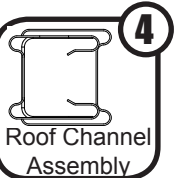
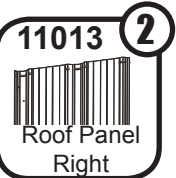
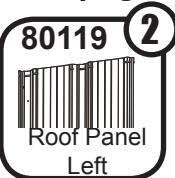
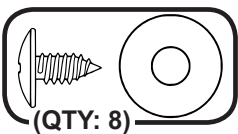


- 5** Make two (2) **Roof Beam Assemblies** using (8) nuts and bolts for each.



Step 6: Roof pre-assy

You will need for this page:

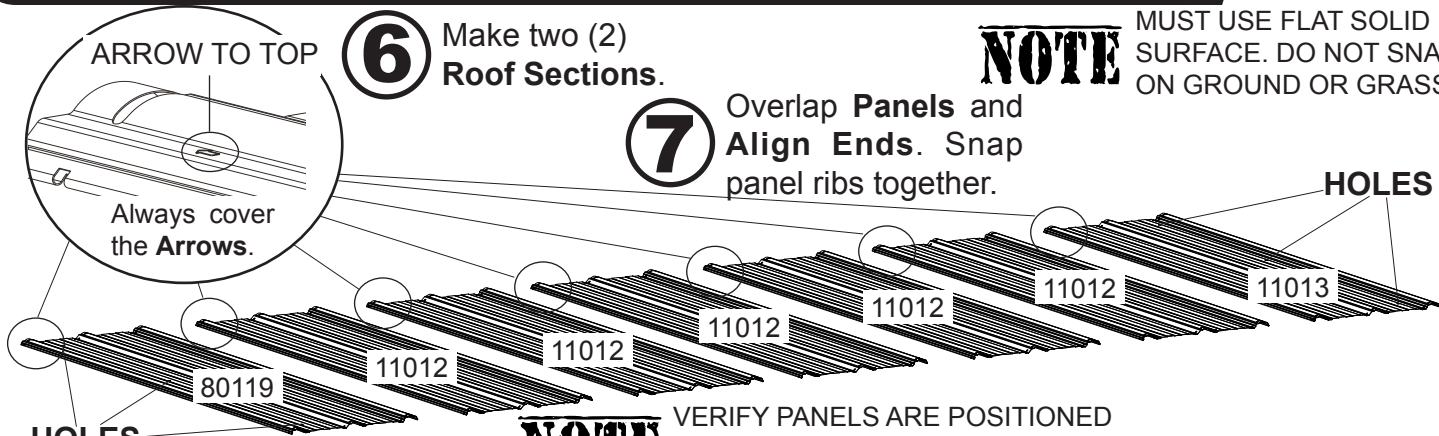


6 Make two (2) Roof Sections.

NOTE

MUST USE FLAT SOLID SURFACE. DO NOT SNAP ON GROUND OR GRASS

7 Overlap Panels and Align Ends. Snap panel ribs together.

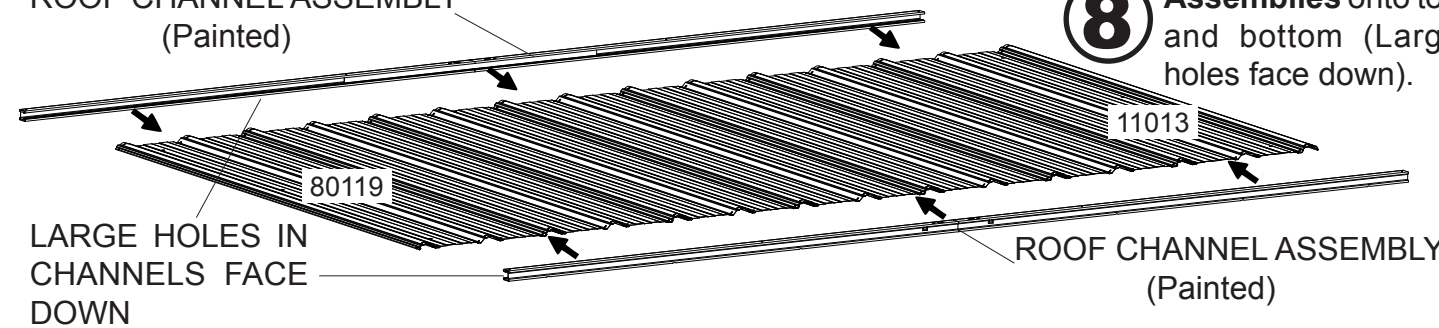


NOTE

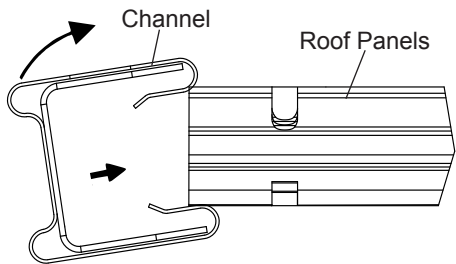
VERIFY PANELS ARE POSITIONED IN CORRECT SEQUENCE BY PART NUMBER

8

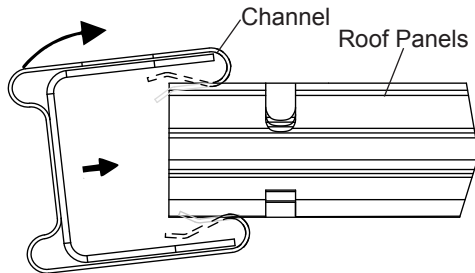
Attach Roof Channel Assemblies onto top and bottom (Large holes face down).



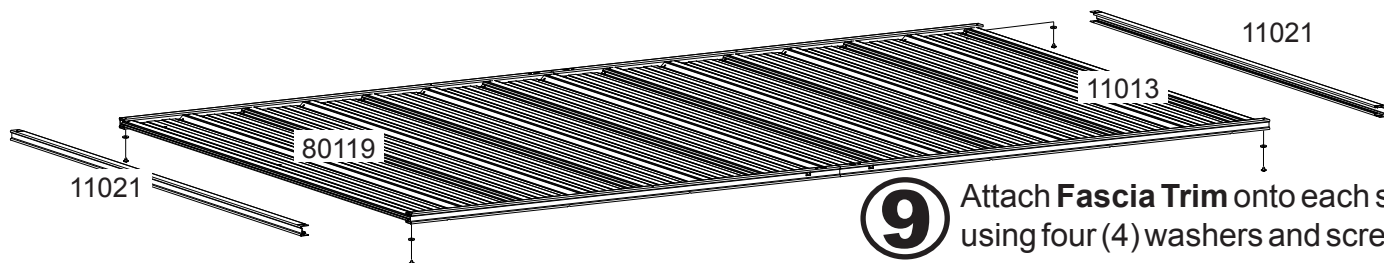
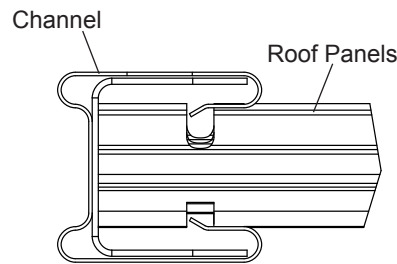
1. Angle Roof Channel Assembly



2. Continue to align Roof Channel Assembly onto Roof Panels



3. Complete Roof Channel Assembly Install.

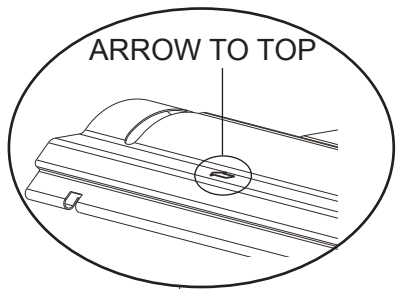
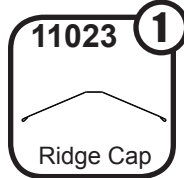
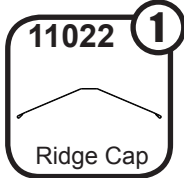
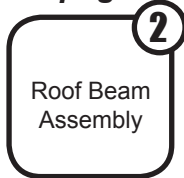
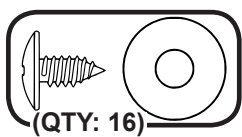


9

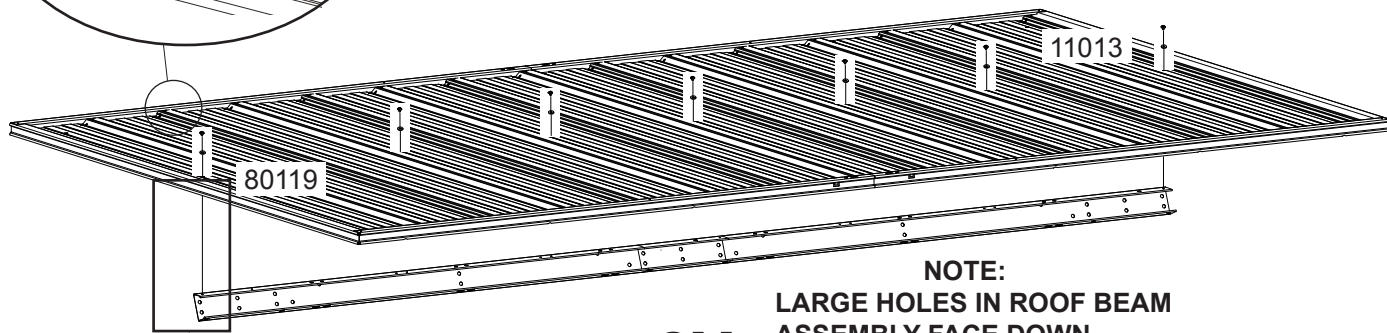
Attach Fascia Trim onto each side using four (4) washers and screws.

Step 6: Roof pre-assy

You will need for this page:

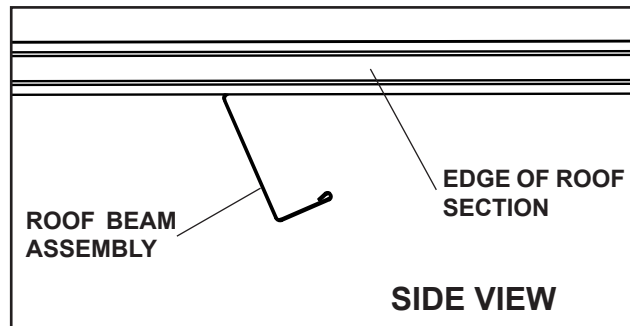
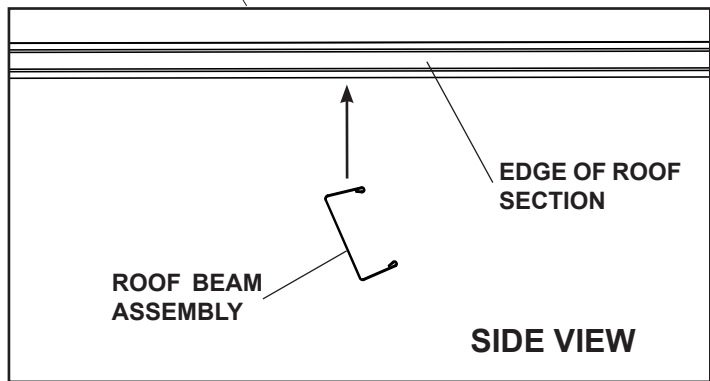


10 Attach **Roof Beam Assembly** (from page. 35) to **Roof Section** using seven (7) washers and screws.

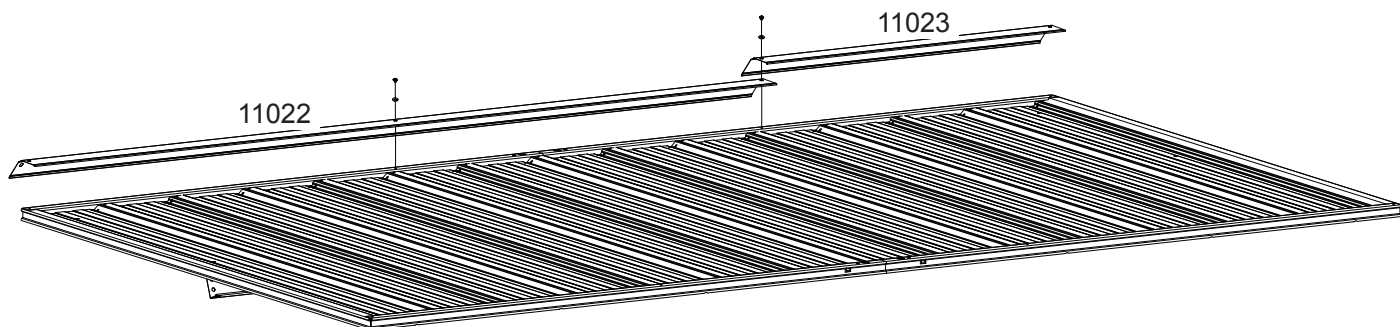


NOTE:
LARGE HOLES IN ROOF BEAM ASSEMBLY FACE DOWN.

2X

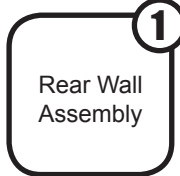
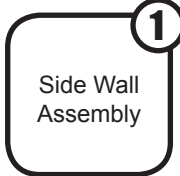
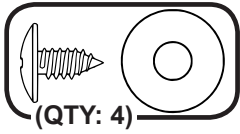


11 Attach **Ridge Caps** to **Right Roof Section** using two (2) washers and screws.



Step 7: Wall Assembly

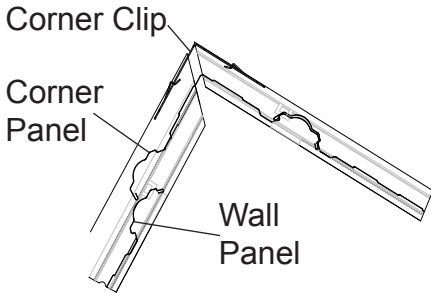
You will need for this page:



NOTE

IT IS HIGHLY RECOMMENDED THAT AT LEAST 2 PEOPLE ARE PART OF ASSEMBLY.

CORNER PANEL ON TOP OF WALL PANEL

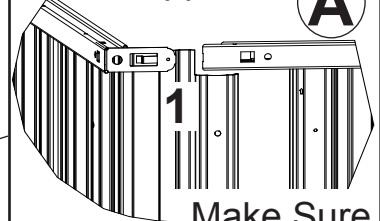


1 Attach Side Wall and Rear Wall.

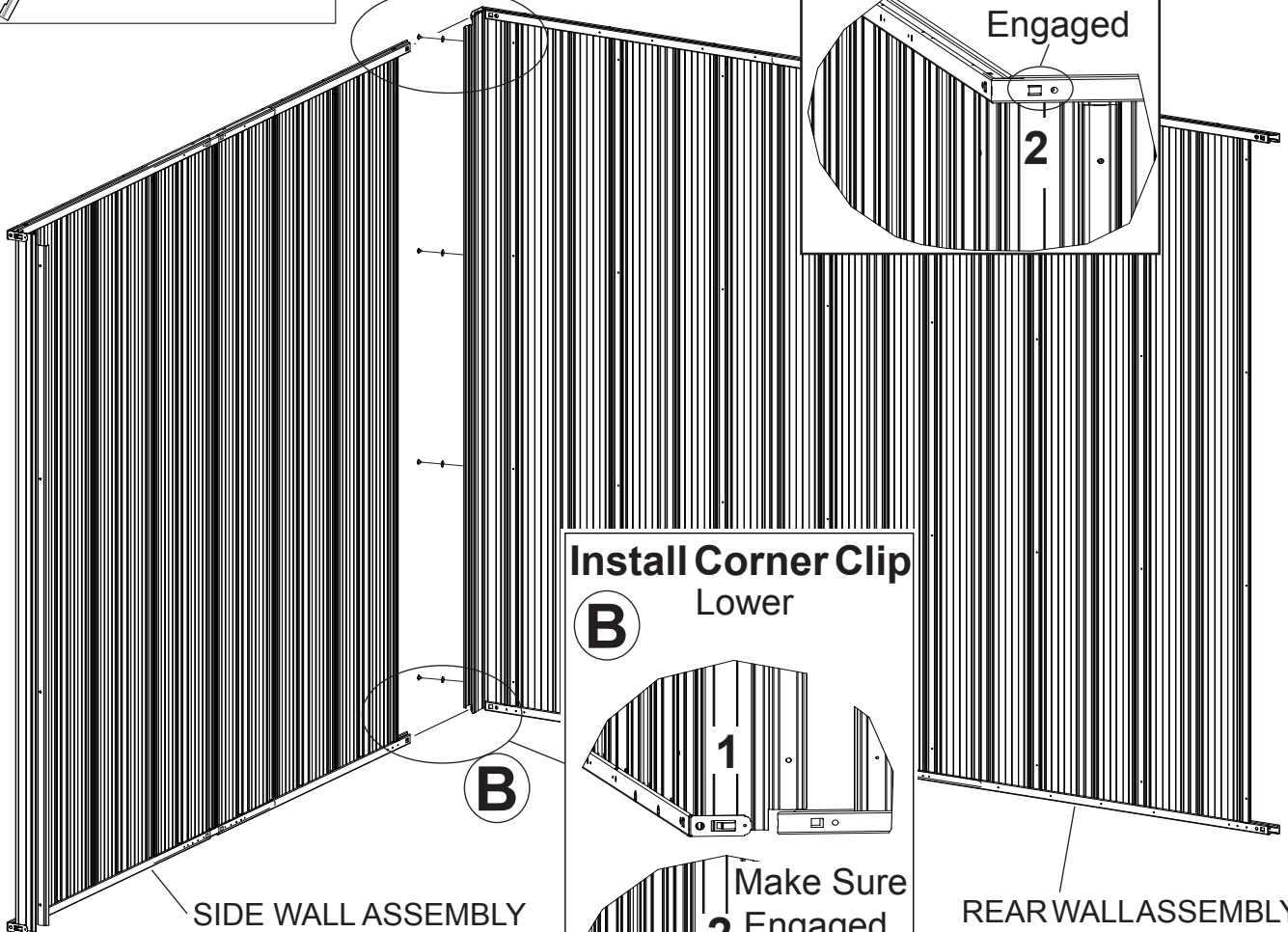
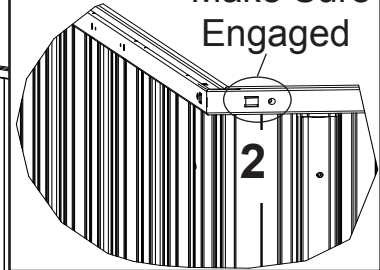
2 Attach Side Wall to Rear Wall using four (4) washers and screws at corner.

A

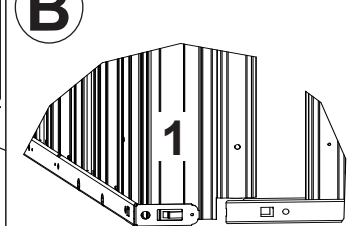
Install Corner Clip Upper



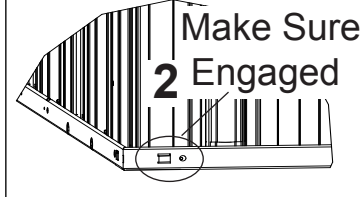
Make Sure Engaged



Install Corner Clip Lower



Make Sure Engaged



Step 7: Wall Assembly

You will need for this page:

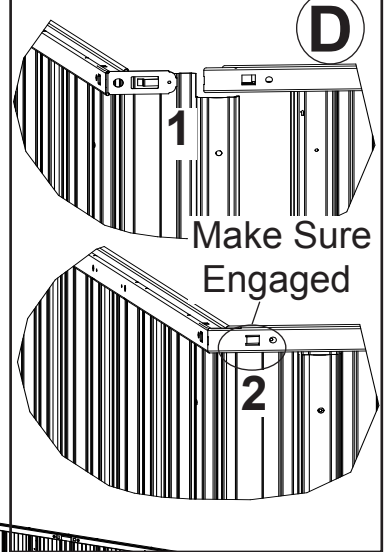
① Side Wall Assembly

① Front Wall Assembly

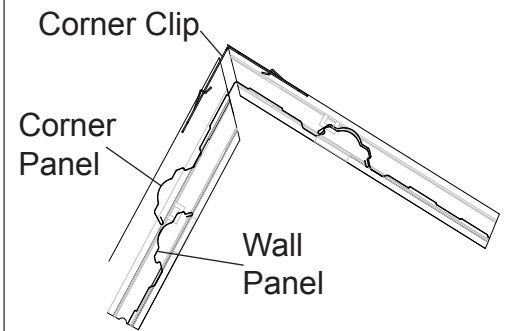
NOTE IT IS HIGHLY RECOMMENDED THAT AT LEAST 2 PEOPLE ARE PART OF ASSEMBLY.

3 Attach **Side Wall** and **Front Wall**.

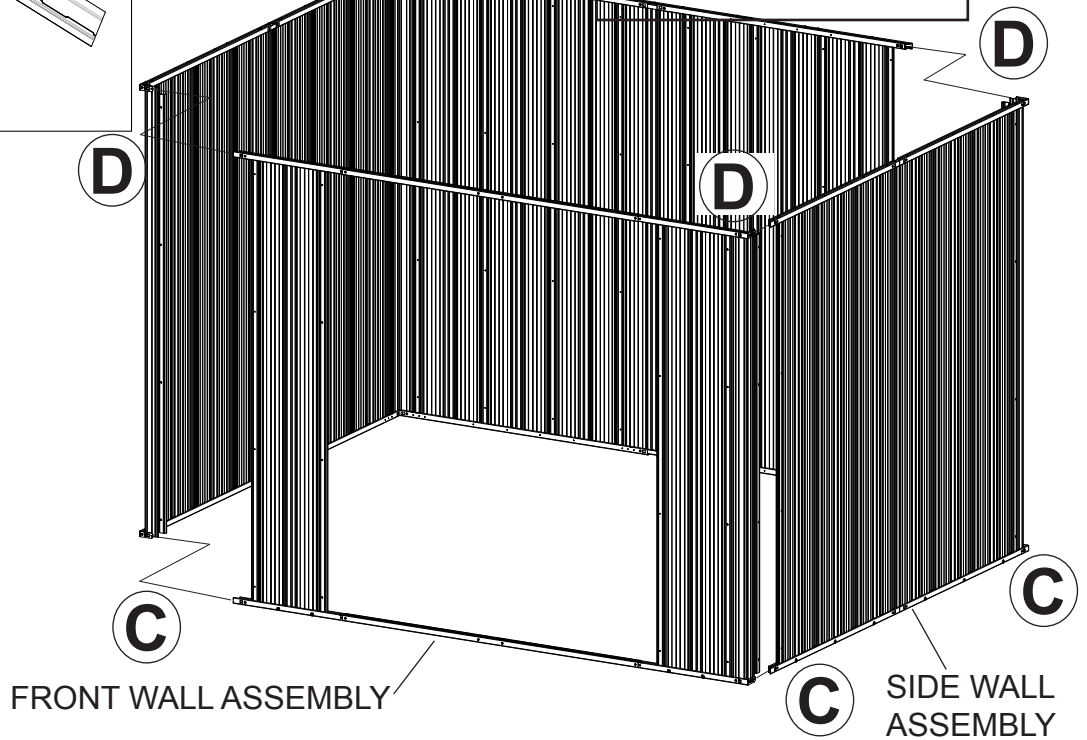
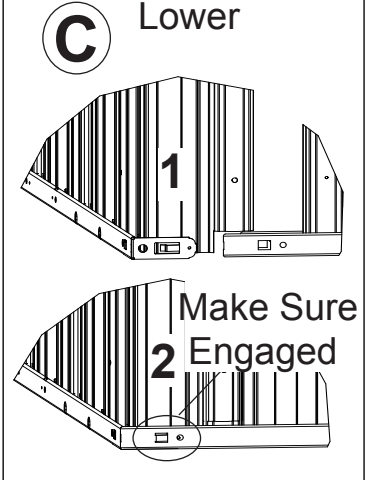
Install Corner Clip Upper



CORNER PANEL ON TOP OF WALL PANEL

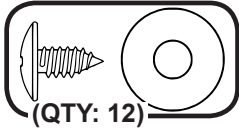


Install Corner Clip Lower



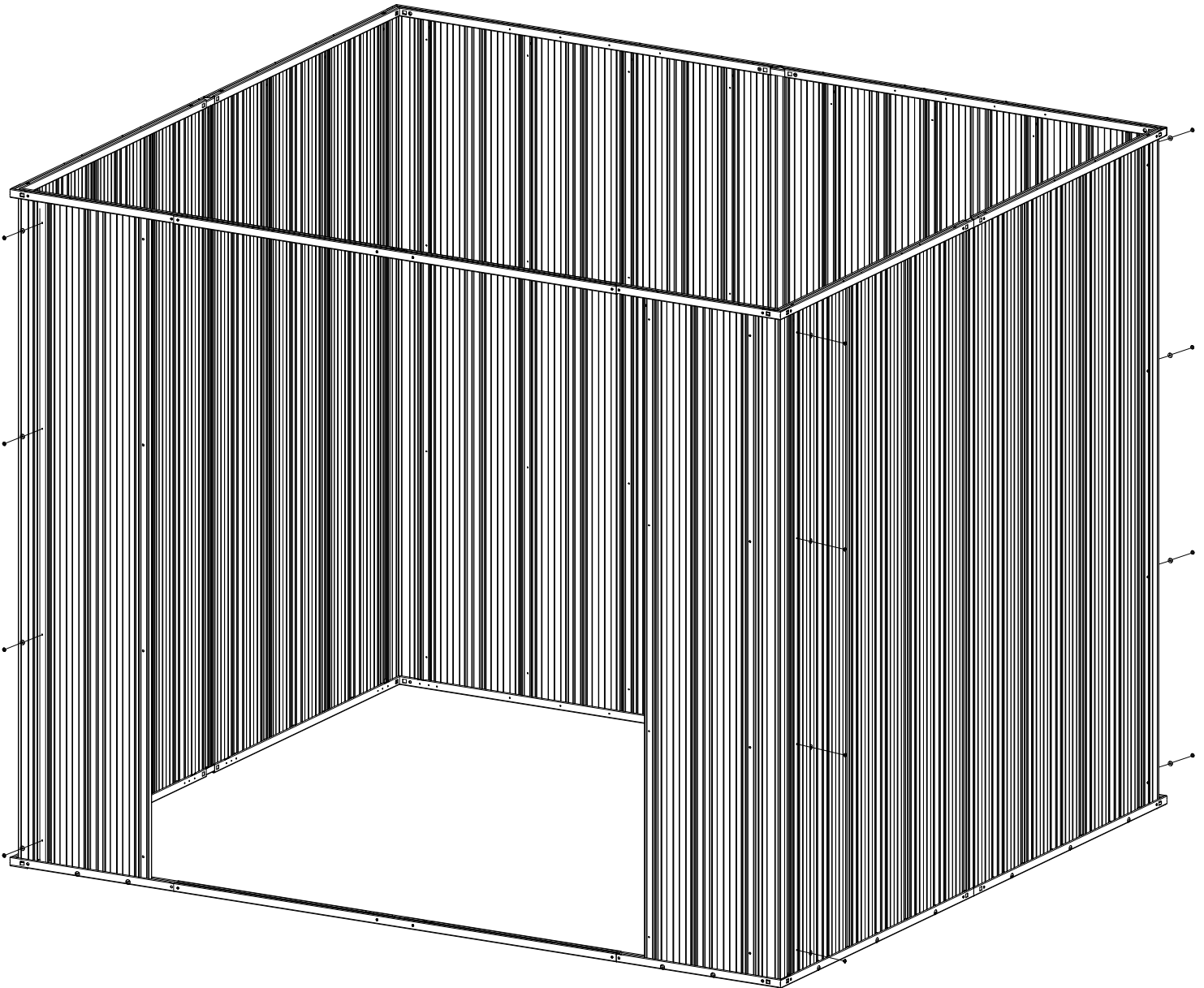
Step 7: Wall Assembly

You will need for this page:



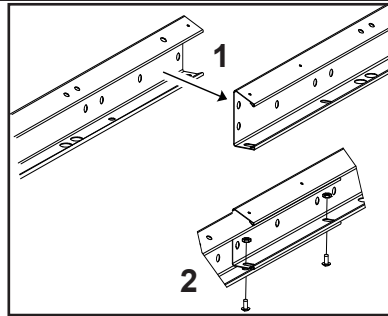
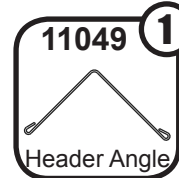
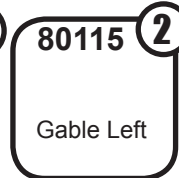
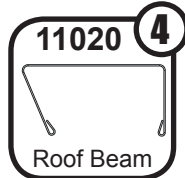
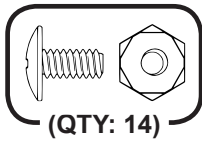
4

Attach remaining **Walls** using four (4) washers and screws at each corner.

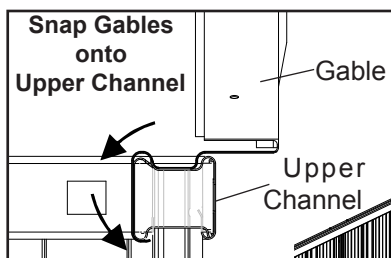
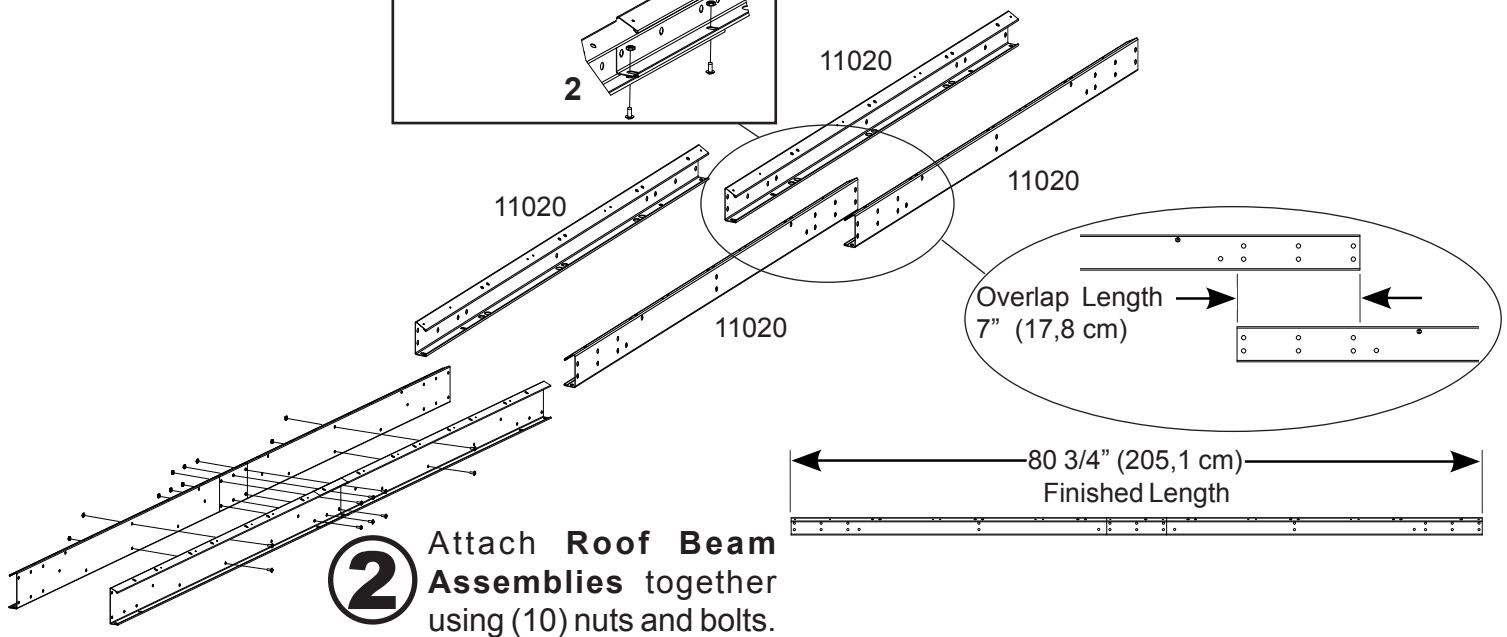


Step 8: Gable & Beam Assy

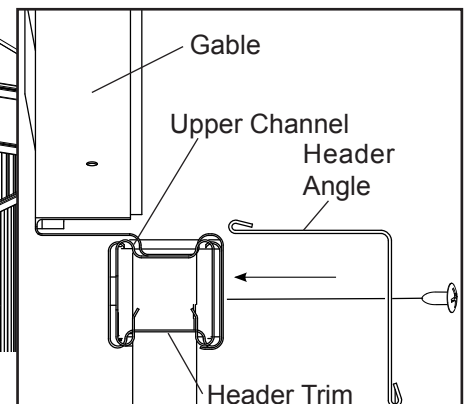
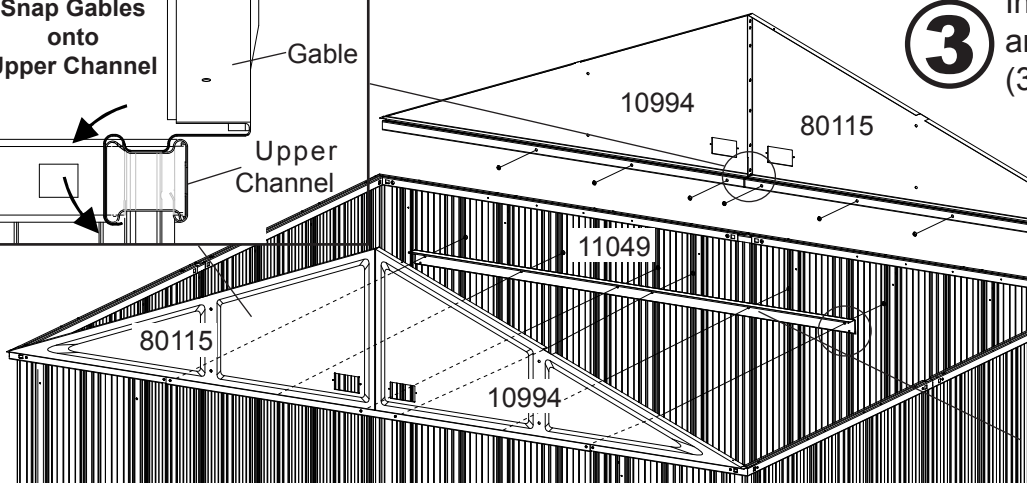
You will need for this page:



1 Assemble **Roof Beams** using two (2) nuts and bolts.



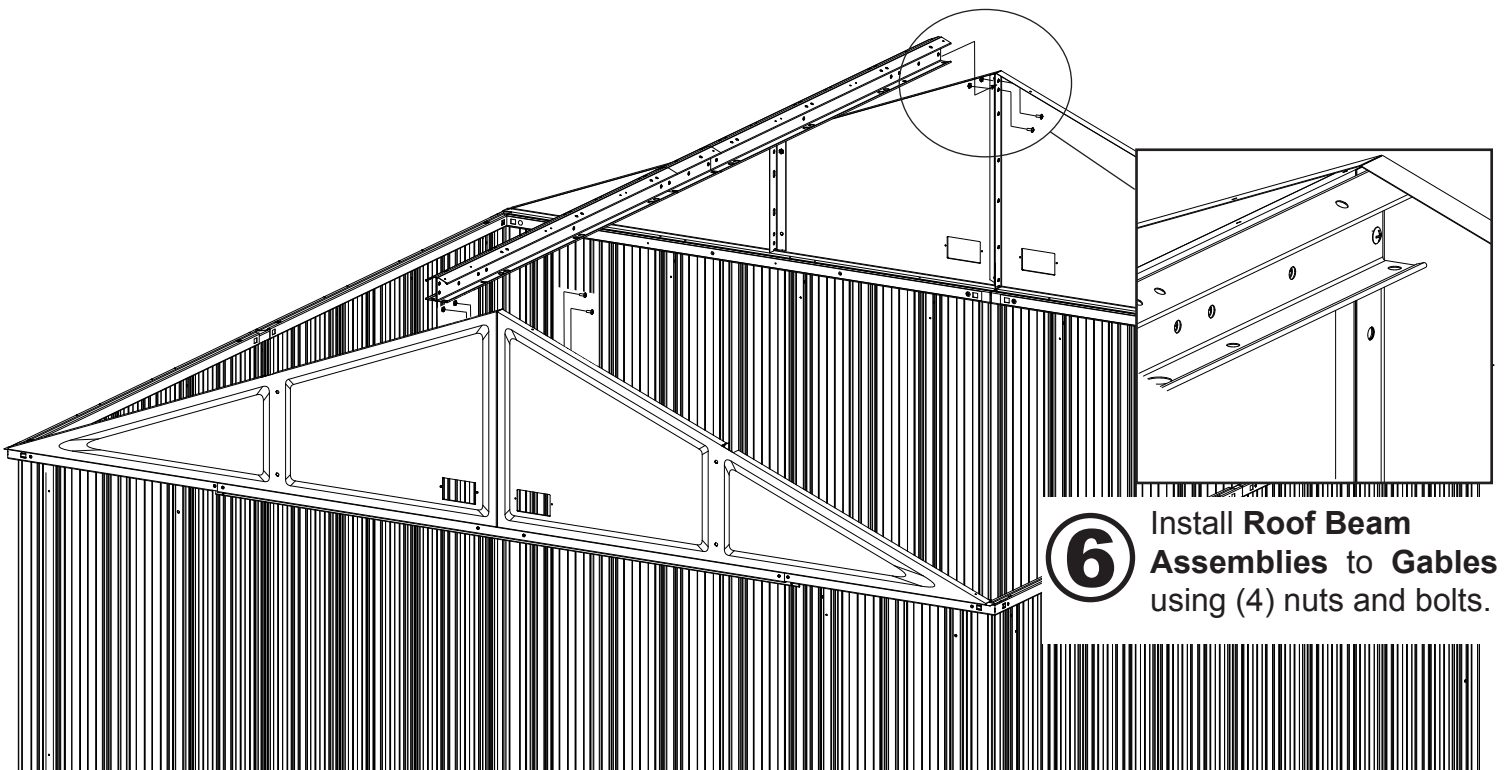
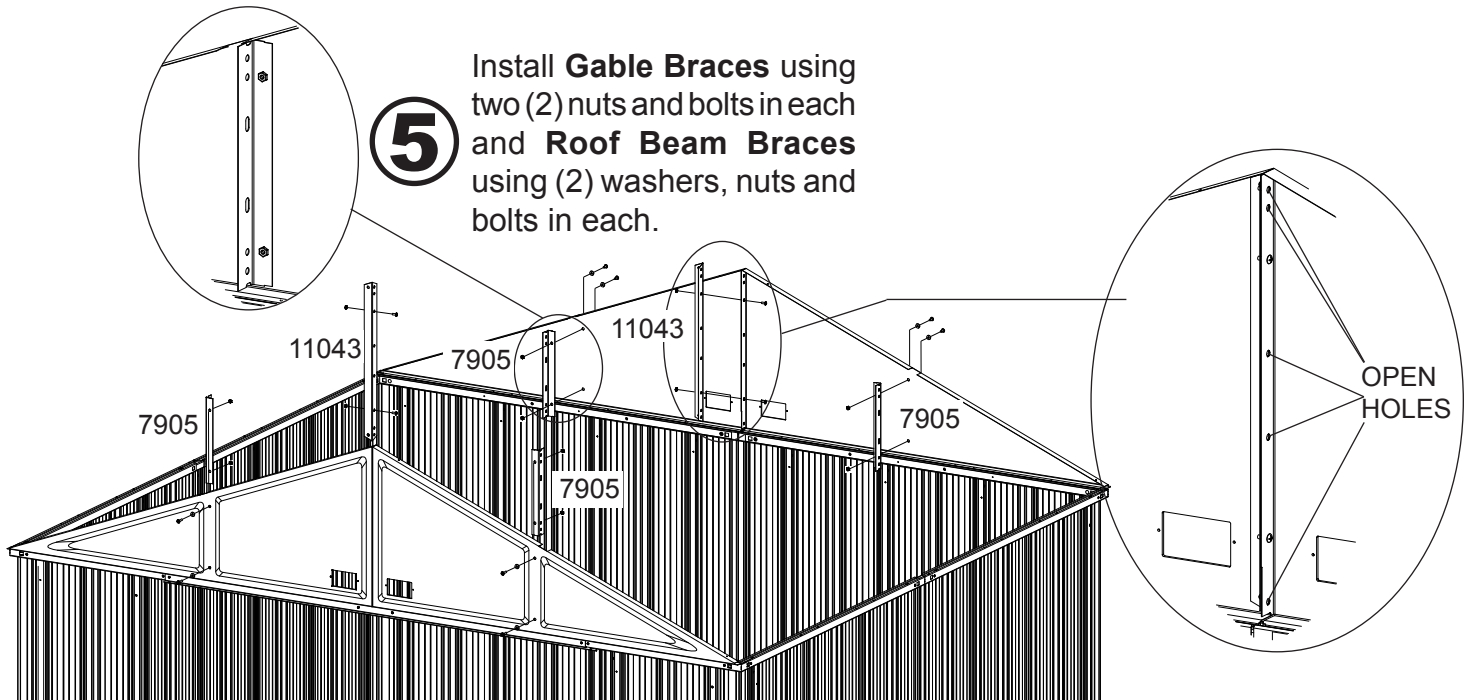
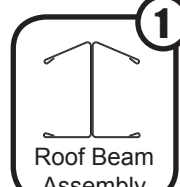
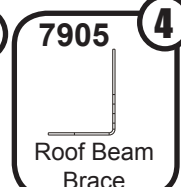
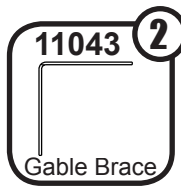
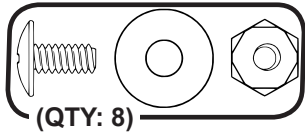
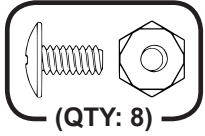
3 Install **(REAR) Gable Right** and **Gable Left** using three (3) screws in each.



4 Install **(FRONT) Gable Right** and **Gable Left** along with **Header Angle** using three (3) screws in each.

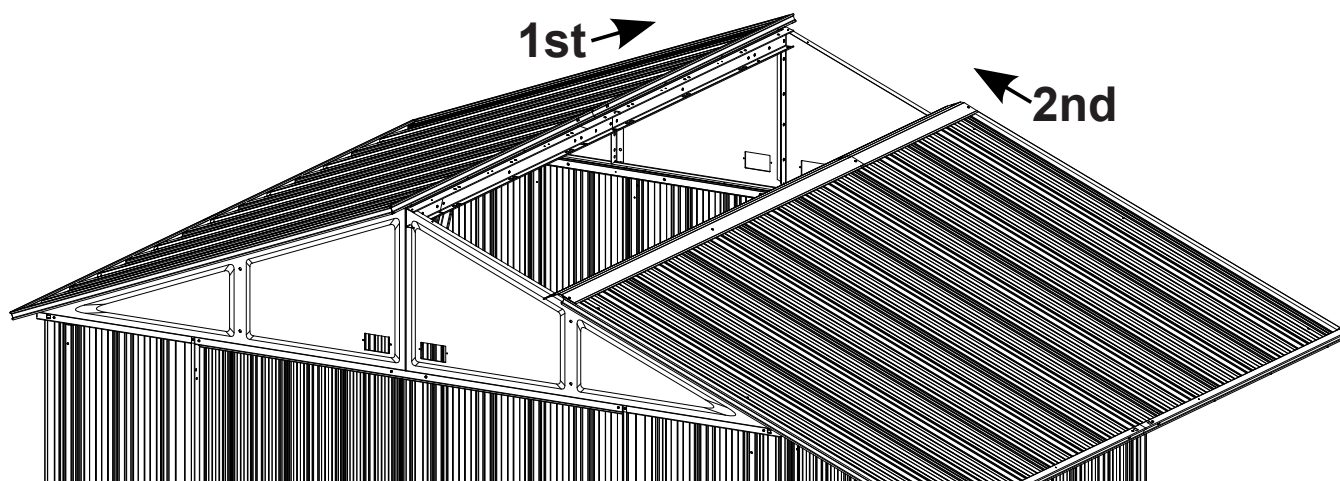
Step 8: Gable & Beam Assy

You will need for this page:

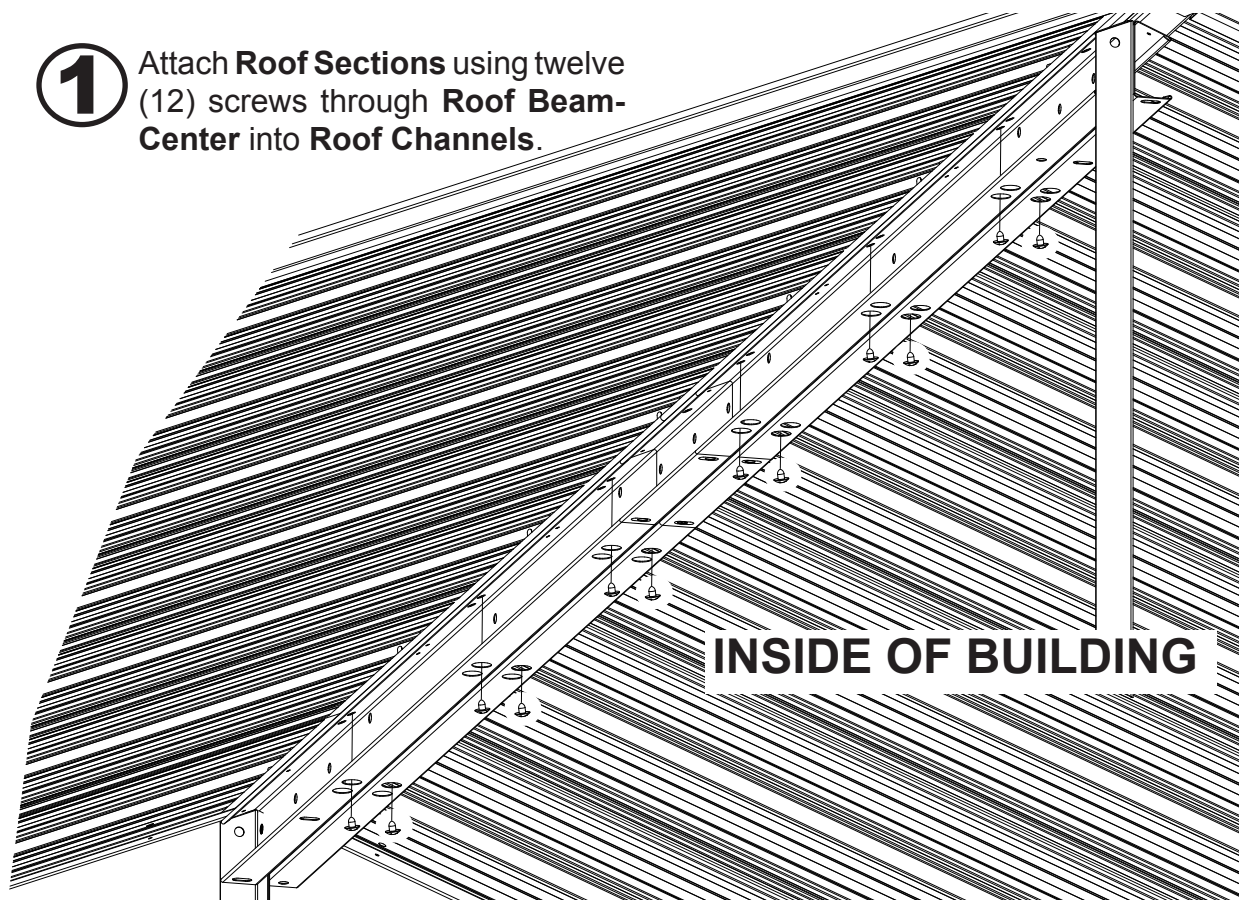


Step 9: Roof Assembly

You will need for this page:

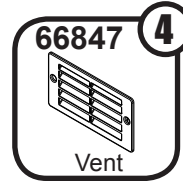
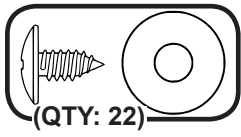


- 1** Attach **Roof Sections** using twelve (12) screws through **Roof Beam-Center** into **Roof Channels**.



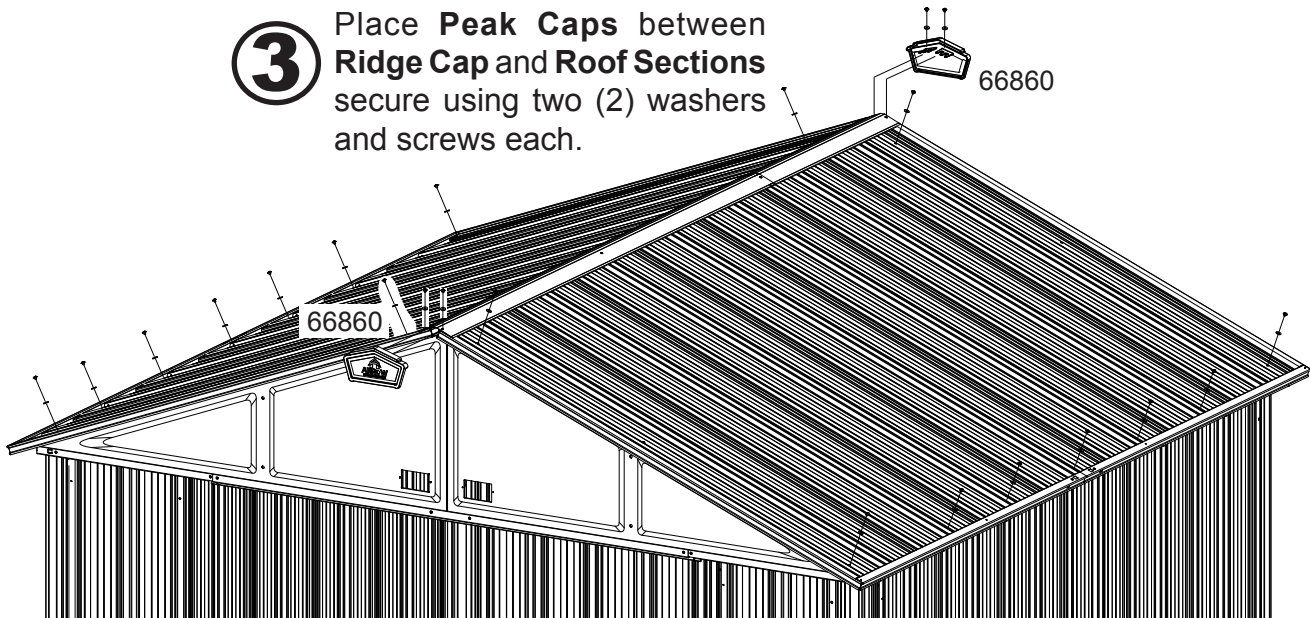
Step 9: Roof Assembly

You will need for this page:

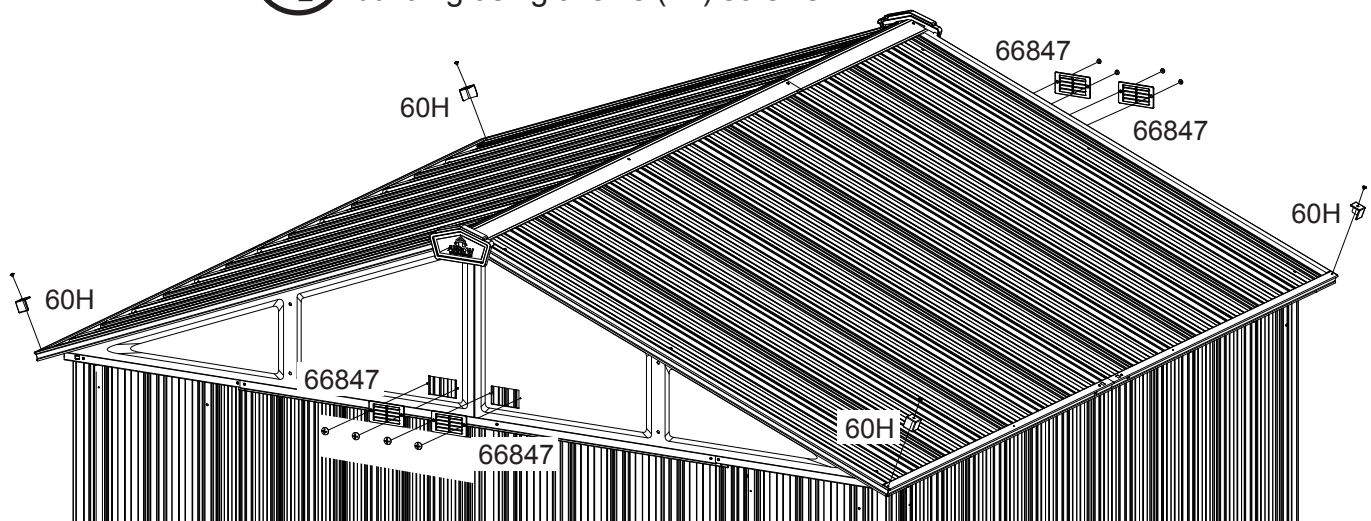


2 Attach **Roof Sections** to building using nine (9) washers and screws each.

3 Place **Peak Caps** between **Ridge Cap** and **Roof Sections** secure using two (2) washers and screws each.

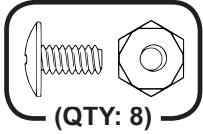


4 Attach **Corner Caps** and **Vents** to building using twelve (12) screws.

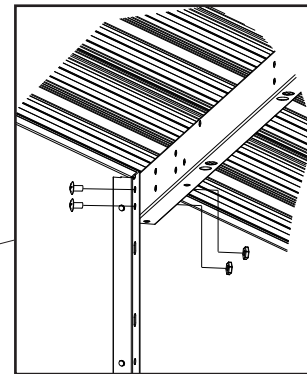
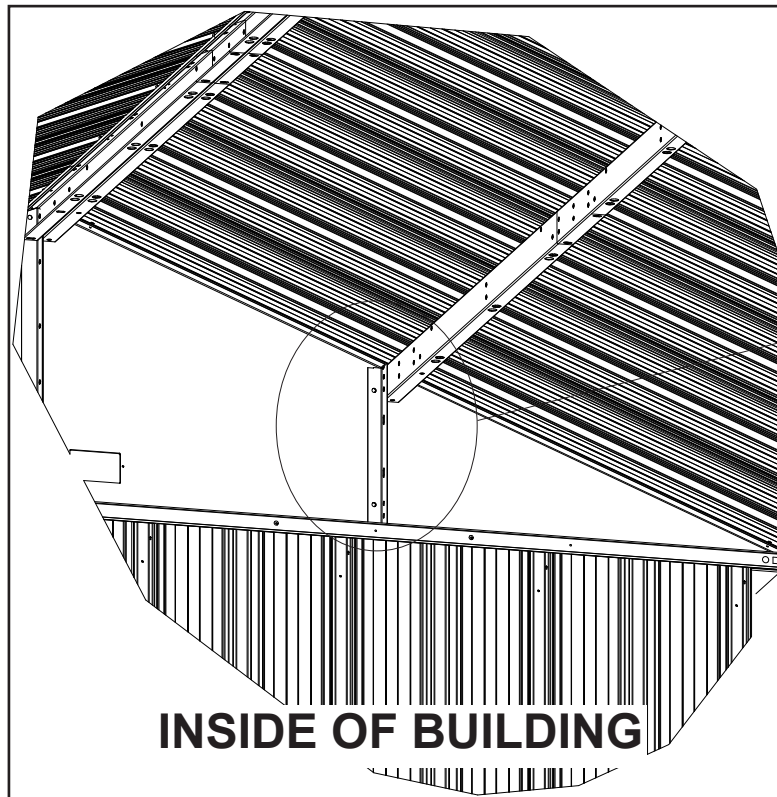


Step 9: Roof Assembly

You will need for this page:



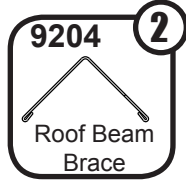
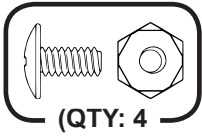
- 5** Attach **Roof Beam Assembly** to **Roof Beam Brace** using two (2) nuts and bolts each .



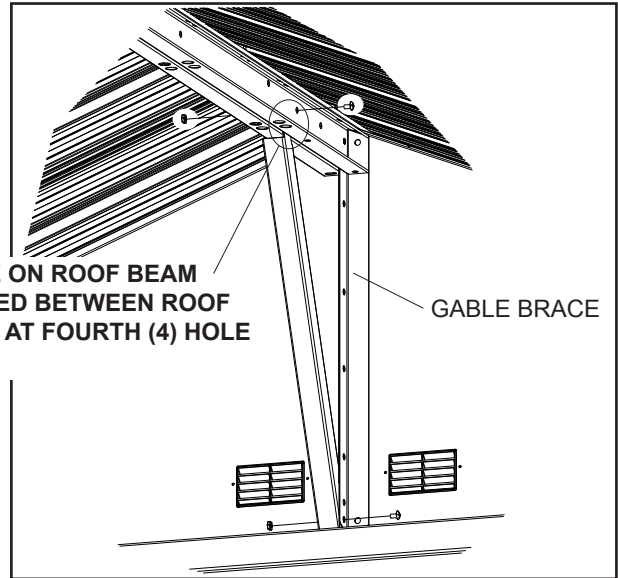
TYPICAL (4) PLACES

Step 9: Roof Assembly

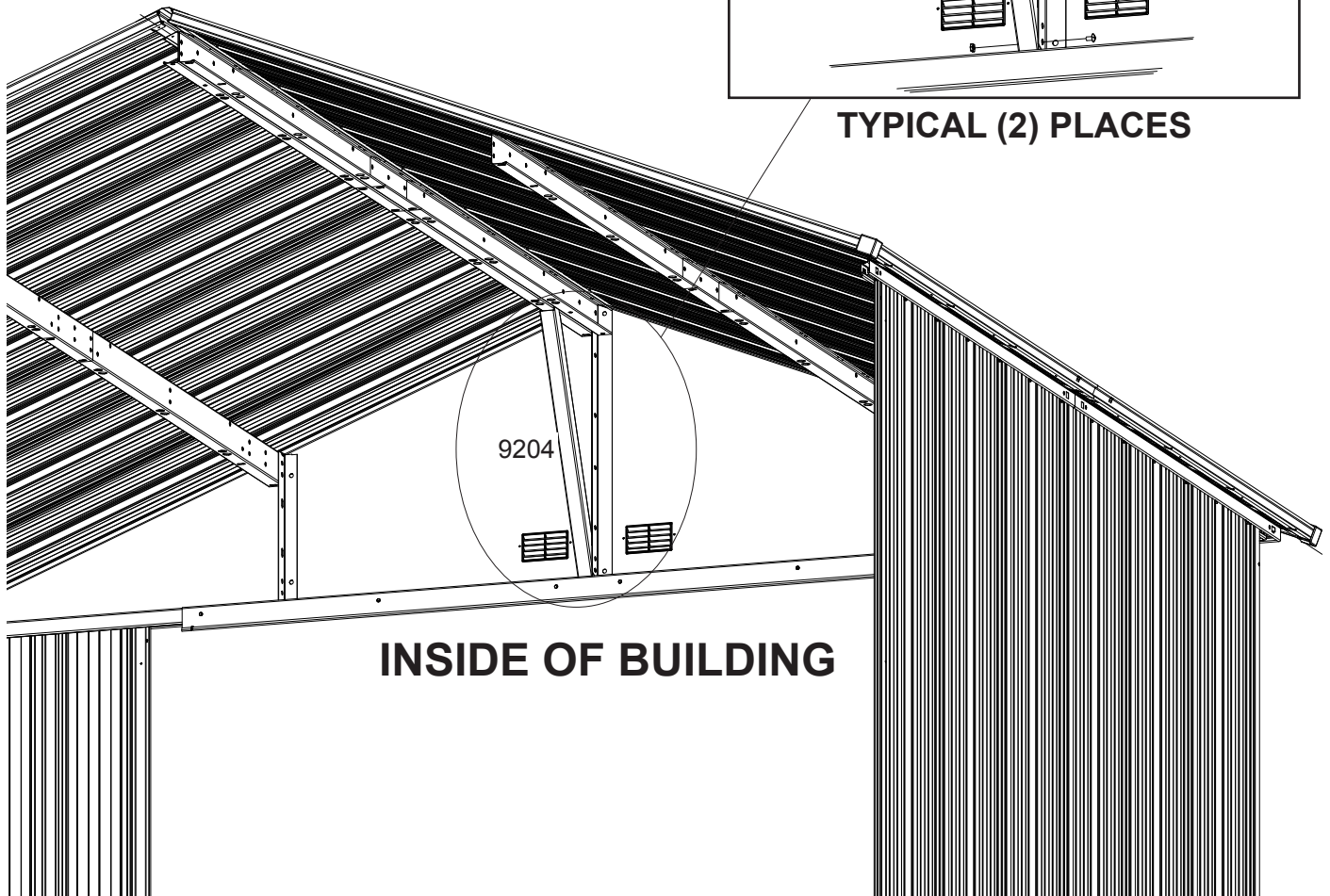
You will need for this page:



6 Attach **Roof Beam Brace** to **Gable Brace** and **Roof Beam-Center** using two (2) nuts and bolts each .



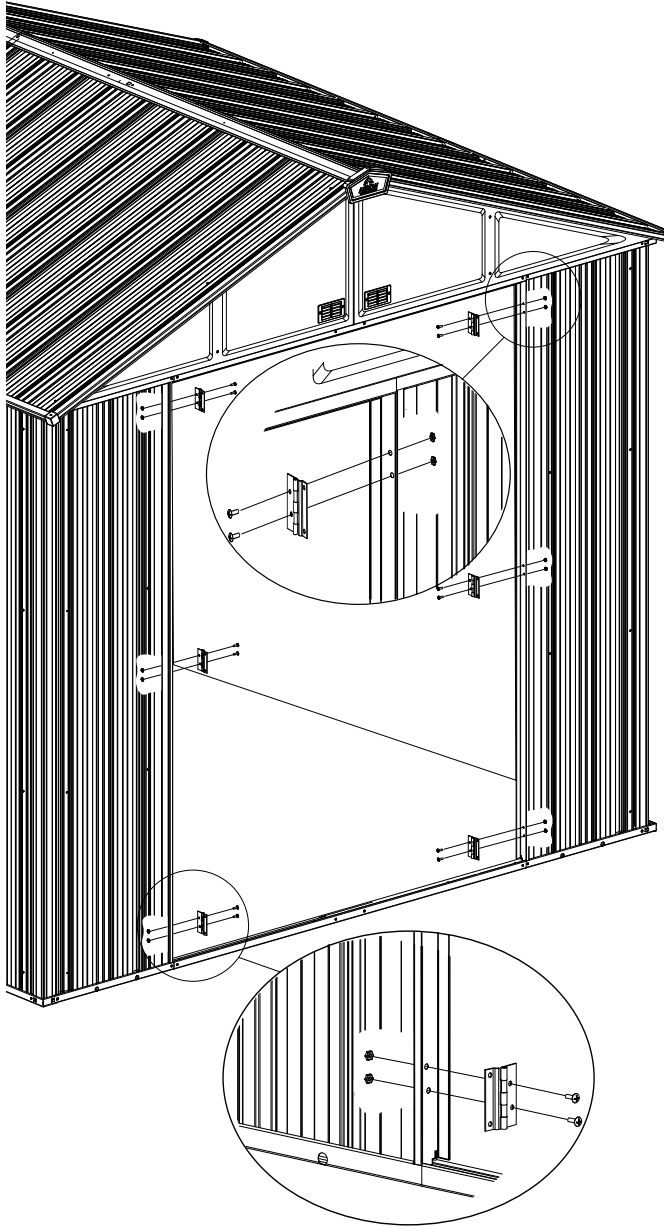
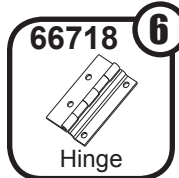
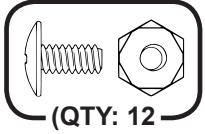
TYPICAL (2) PLACES



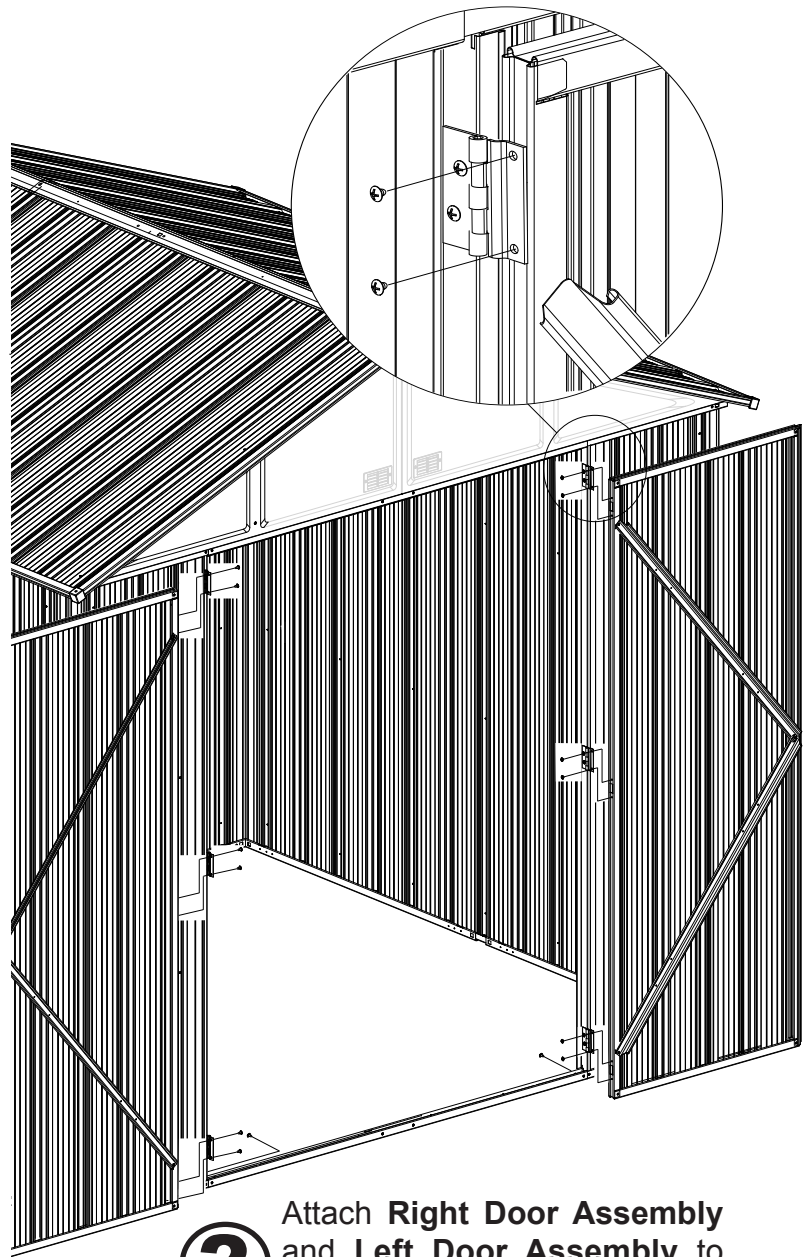
INSIDE OF BUILDING

Step 10: Door Assembly

You will need for this page:



- 1** Attach three (3) **Hinges** to each **Door Jamb** using two nuts and bolts in each hinge.



- 2** Attach **Right Door Assembly** and **Left Door Assembly** to **Hinges** using two (2) screws in each hinge.

- 3** Secure **Ramp to Floor Channel Assembly (Unpainted)** using two (2) screws.

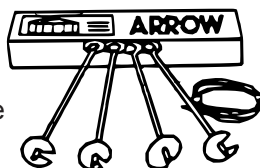
ARROW ACCESSORIES...

ANCHOR KITS

Model No. AK4

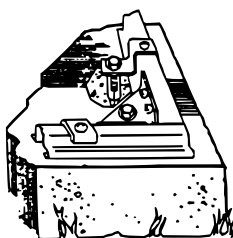
Anchor Kit contains heavy-duty steel augers, 60' (18 m) of steel cable and 4 cable clamps. No digging or concrete pouring, just insert cable under roof, over roof beams, into augers and twist augers into the ground. For buildings

larger than 10'x9' (3,0 m x 2,6 m), use 2 kits.



Model No. AK100

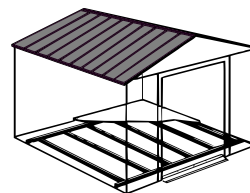
New concrete anchor system permits anchoring any size Arrow building directly to a concrete slab. Each kit contains heavy-duty, hot-dipped galvanized steel corner gussets and perimeter clips which fit over the floor frame and lag bolt into a concrete slab. Full assembly instructions and a 1/4" masonry drill bit are included.



FLOOR FRAME KITS

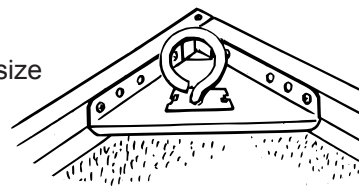
MODELS FB47410, FB5465, FB106-A, FB109-A, FB1014-A, FBSDS108, and FKEZEE

A simple floor frame system made of heavy-duty, hot-dipped galvanized steel. Use as base for plywood, sand or stone.



Model No. AK600

Earth Anchor Kit anchors any size Arrow building to the ground. Each kit contains heavy duty, hot-dipped galvanized steel corner gussets and 4 earth anchors.



SPECIAL NOTICE ON DELIVERY:

If your accessory is shipped via truck line a day time phone number is required to arrange delivery. If no one is available to sign for the delivery, you may be subject to a re-delivery charge assessed by the carrier.

HOW TO ORDER

We recommend that you purchase accessory items from your local storage building dealer whenever possible; however, because the full line of accessories is not always available from all dealers, Arrow is offering them to you on a direct basis.

Purchase Online at www.arrowsheds.com

Purchase over the phone by calling 1-800-851-1085

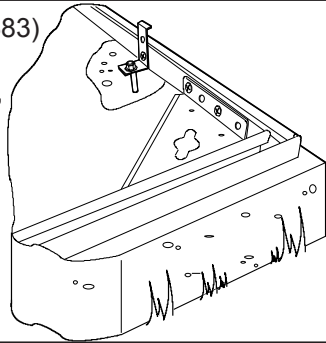
Most major credit cards accepted. Allow 2 weeks for Delivery.

ANCHORING OPTIONS...

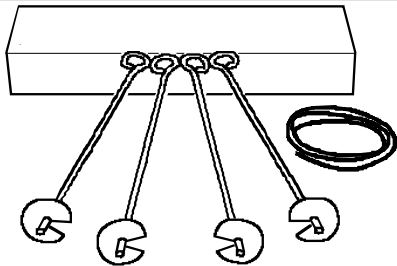
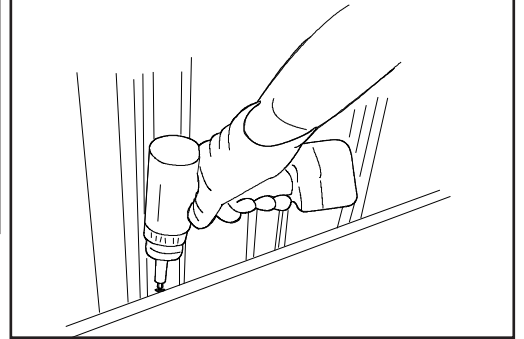
IMPORTANT:

It is important that building be anchored after construction. these are recommended ways of anchoring.

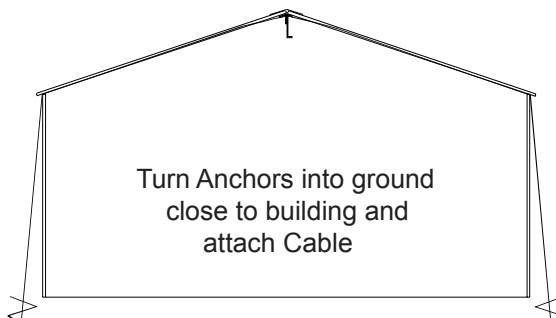
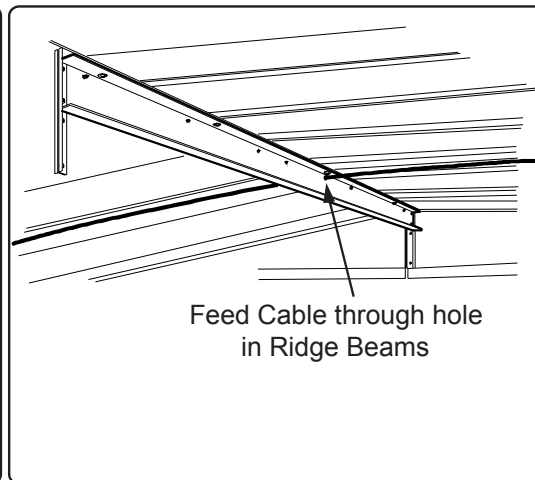
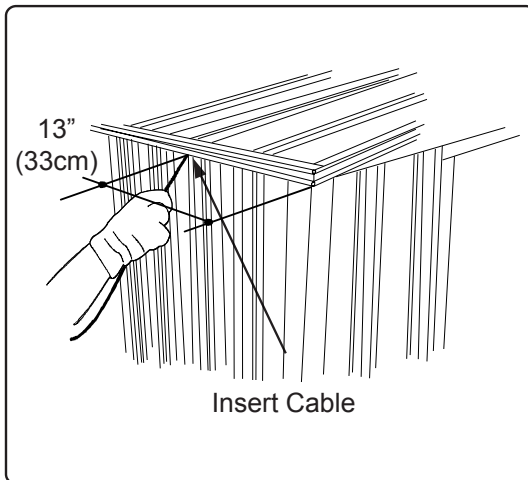
Arrow Anchoring Kit: (Model No. AK100 or 68383)
Recommended for use with the **concrete** base.
Contains: Corner gussets, perimeter clips, hardware, 1/4" masonry drill bit and installation instructions.



Anchor into Wood or Concrete
For wood platform. Use Decking Screws.
For concrete slab. Use Lag Screws.



Arrow Anchoring Kit: (Model No. AK4 or 60298)
Recommended for use with **any** suggested base.
Contains: 4 Anchors with Cable, Clamps and installation instructions.



ASSEMBLY NOTES