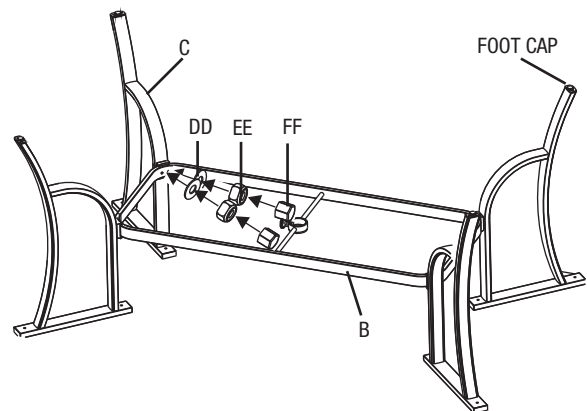


Assembly

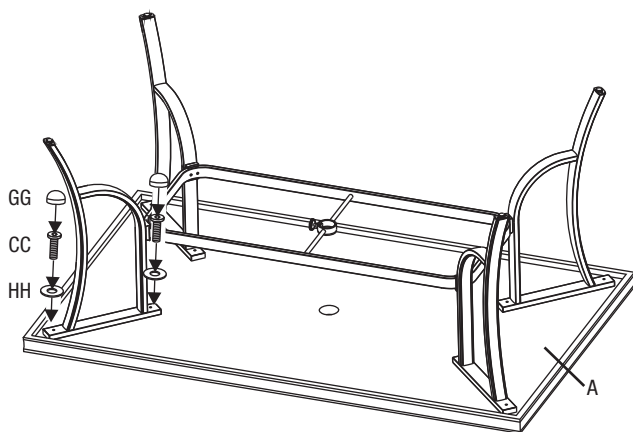
1 Attaching the table legs

- Attach a leg (C) to the leg connector bracket (B) by carefully guiding the bolts already in place on the table legs (each leg has two bolts) through the holes in the leg connector bracket (B) as shown in the diagram. Add a $\varnothing 6.5 \times 1.0$ mm washer (DD) and a nut (EE) to the end of each bolt. Hand tighten only 2-3 turns. Repeat on the other three legs.



2 Attaching the leg connector bracket

- Place the table top (A) upside down on a flat, non-abrasive surface.
- Attach the completed base to the table top (A) by using eight $1/4$ in. x 35 mm bolts (CC) and $\varnothing 20 \times \varnothing 6.5 \times 2.0$ mm washers (HH) as shown in the diagram. Guide the bolts (CC) through the holes in the table legs (C) into the pre-drilled holes in the table top (A).
- Hand tighten only.



3 Tightening the nuts to the bolts

- Use the hex bolt driver (AA) and the hex wrench (BB) to tighten all bolts (CC).
- Repeat until all bolts (CC) are tight. Do not over tighten. Over tightening may strip bolts.
- Cover all bolts (CC) and nuts (EE) with covers (GG and FF).