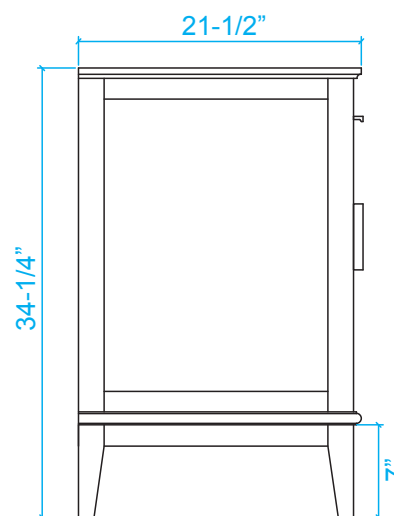
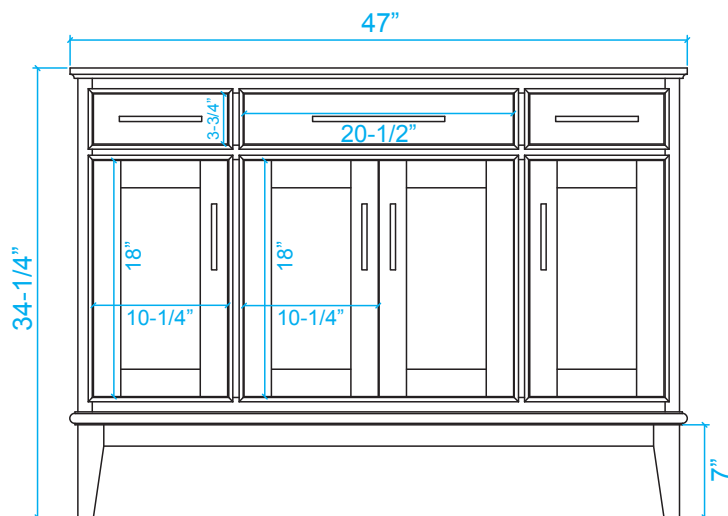
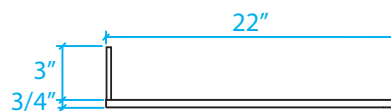
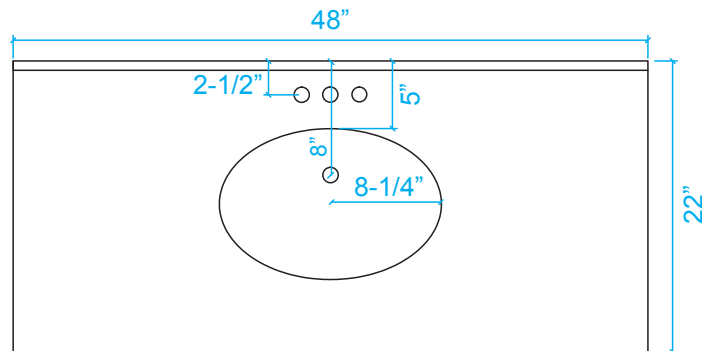
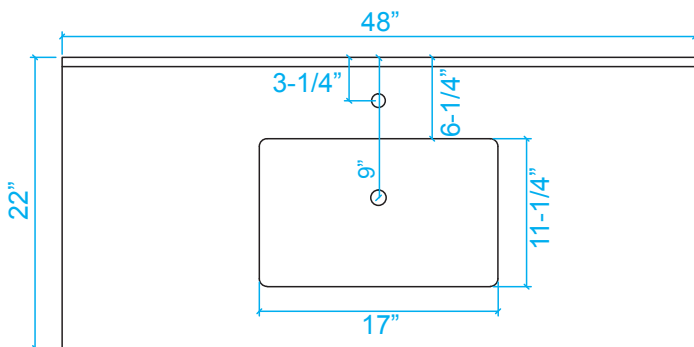


WYNDHAM COLLECTION



Note: All Measurements are $\pm 1/4"$

WC-3030-48-SGL