

*If you have questions or comments, contact us.  
Pour toute question ou tout commentaire, nous contacter.  
Si tiene dudas o comentarios, contáctenos.*

**1-800-4-DEWALT • [www.dewalt.com](http://www.dewalt.com)**

**INSTRUCTION MANUAL  
GUIDE D'UTILISATION  
MANUAL DE INSTRUCCIONES**

INSTRUCTIVO DE OPERACIÓN, CENTROS DE SERVICIO Y PÓLIZA DE GARANTÍA. **ADVERTENCIA:** LÉASE ESTE INSTRUCTIVO ANTES DE USAR EL PRODUCTO.

**DEWALT®**

**DWX726**

**Rolling Miter Saw/Planer Stand**

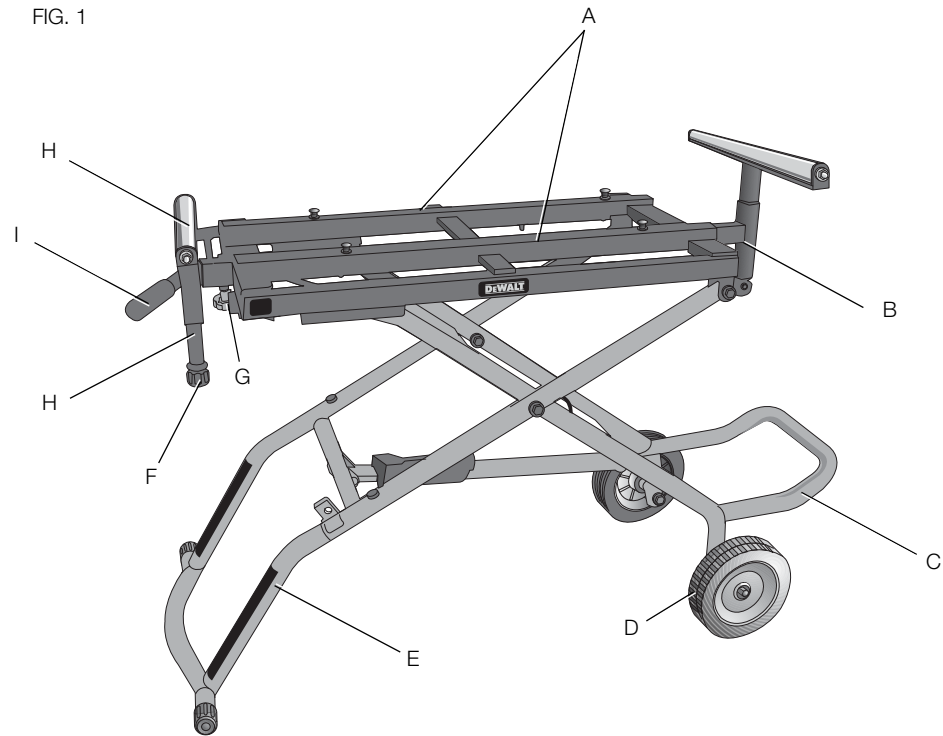
**Plate-forme mobile pour scie à onglet/raboteuse**

**Base de soporte rodante para sierra para corte de ingletes/cepiladora**

**DWX726 Universal Miter Saw/Planer Stand****Components List**

- A. Mounting rails
- B. Work support arm
- C. Storage foot
- D. Wheels
- E. Leg extension
- F. Vertical locking knob
- G. Horizontal locking knob
- H. Extension arm
- I. Handle

FIG. 1



### Definitions: Safety Guidelines

The definitions below describe the level of severity for each signal word. Please read the manual and pay attention to these symbols.

**⚠DANGER:** Indicates an imminently hazardous situation which, if not avoided, **will** result in **death or serious injury**.

**⚠WARNING:** Indicates a potentially hazardous situation which, if not avoided, **could** result in **death or serious injury**.

**⚠CAUTION:** Indicates a potentially hazardous situation which, if not avoided, **may** result in **minor or moderate injury**.

**NOTICE:** Indicates a practice **not related to personal injury** which, if not avoided, **may** result in **property damage**.

IF YOU HAVE ANY QUESTIONS OR COMMENTS ABOUT THIS OR ANY DEWALT TOOL, CALL US TOLL FREE AT: **1-800-4-DEWALT (1-800-433-9258)**.

This Rolling Miter Saw/Planer Stand is a stand designed to accommodate most miter saws and planers and to provide portability for those units, both in the field and in the shop. If you have any problem with alignment or mounting, call **1-800-4-DEWALT (1-800-433-9258)**.

### SAFETY RULES

**⚠ WARNING:** For your own safety, read the tool instruction manual before using any accessory. Failure to heed these warnings may result in personal injury and serious damage to the tool and the accessory. When servicing this tool, use only identical replacement parts.

**⚠ WARNING:** Failure to follow these rules may result in serious personal injury.

**⚠ WARNING:** To reduce the risk of injury, keep both hands on handle when raising and lowering the stand. The stand has gas assist lifting and may raise unexpectedly when lever is released.

- **This product was designed to be used as a stand for miter saws and planers.** The stand will support up to 300 lbs (136 kg). Any misuse or abuse can result in product damage or personal injury.
- **Do not stand on the work table.** It is unsafe to climb, sit or stand on the stand. Do not use the support extensions as a ladder or scaffolding.
- **Properly secure the miter saw or planer to the stand before operation.** Follow the mounting instructions carefully. Fasten the tool to the saw mounting rails securely as instructed.
- **Place the stand on a flat and level surface to prevent rocking or tipping.**
- **Take care during the raising and lowering of the product to reduce the hazard of pinching hands and fingers.**
- **Check the legs and other supports to see that they are properly locked in place before operation.**
- **Do not modify or use the stand for any operation for which it is not intended.**
- **ALWAYS** use eye protection. All users and bystanders must wear eye protection that conforms to ANSI Z87.1.
- **ALWAYS** use safety glasses. Everyday eyeglasses are NOT safety glasses. Also use face or dust mask if cutting operation is dusty. **ALWAYS WEAR CERTIFIED SAFETY EQUIPMENT:**
  - ANSI Z87.1 eye protection (CAN/CSA Z94.3),
  - ANSI S12.6 (S3.19) hearing protection,
  - NIOSH/OSHA/MSHA respiratory protection.

### Carton Contents

- 1 Rolling miter saw/planer stand
- 1 Leg extension
- 1 Storage foot
- 2 Wheel/storage foot connector (left and right)
- 2 Extension work support assembly
- 1 Handle
- 2 Wheel
- 2 Axle
- 2 Work support arms (1 with black cap)
- 1 Hardware bag:
  - 2 Cord wrap brackets (L, R)
  - 6 M8 x 15 mm buttonhead screws
  - 1 M8 x 25 mm buttonhead screw
  - 6 Curved washers
  - 2 Extension locking knobs
  - 1 M8 lock washer
  - 1 M6 x 10 mm button head screw
  - 1 M6 lock washer
  - 1 Hex wrench

### Tools Required

- Hex wrench (supplied)
- Adjustable crescent wrench
- 1/2 inch open end wrench
- 3/4 inch open end wrench

### UNPACKING AND CLEANING

Carefully unpack the product and all loose items from the shipping container(s). Remove the rust-preventative oil from unpainted surfaces

using a soft cloth moistened with mineral spirits, paint thinner or denatured alcohol.

**NOTICE:** Do not use highly volatile solvents such as gasoline, naphtha, acetone or lacquer thinner for cleaning your stand.

### Components (Fig. 1)

**⚠WARNING:** Never modify the stand or any part of it. Damage or personal injury could result.

Refer to Figure 1 for **Components List**.

### ASSEMBLY

**⚠WARNING: PINCH HAZARD.** To reduce the risk of serious personal injury, do not raise or lower stand until the assembly of the extension work supports is complete.

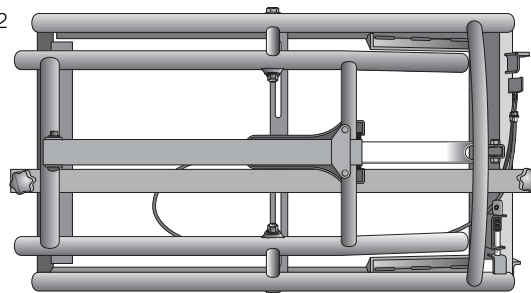
### WRENCH STORAGE (FIG. 3)

The supplied hex wrench (J) comes in the wrench storage location in the corner of the stand.

### ATTACHING THE LEG EXTENSION (FIG. 2, 3)

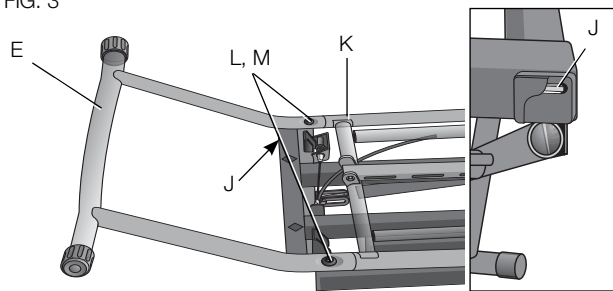
**IMPORTANT:** Place stand upside down on the floor or on a level, stable table as shown in Figure 2.

FIG. 2



1. With stand upside down, insert the leg extension (E) in the stand (K).
2. Align the holes and install two M8 x 15 mm buttonhead screws (L) with curved washers (M).
3. Tighten securely with the supplied hex wrench.

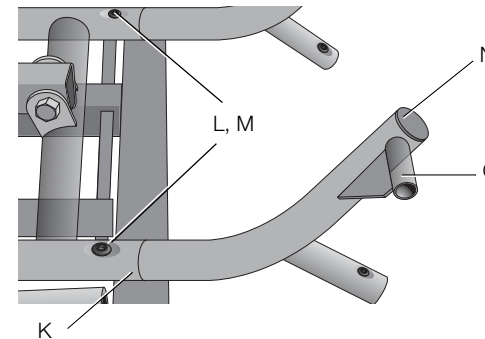
FIG. 3



**ATTACHING THE WHEEL AND STORAGE FOOT CONNECTOR (FIG. 4)**

1. With stand still upside down, insert the wheel/storage-foot connector (N) to the stand (K) with wheel extension (O) facing outward.
2. Align the hole and loosely install one M8 x 15 mm buttonhead screw (L) with curved washer (M) for later adjustment.  
**NOTE:** The screw will be tightened completely later in the assembly.
3. Attach the other wheel/storage-foot connector in the same manner.

FIG 4



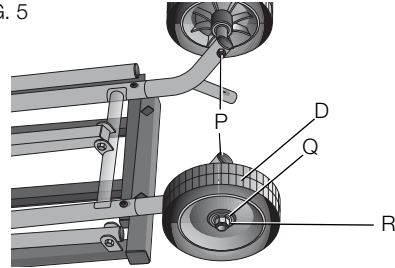
**ATTACHING THE WHEELS (FIG. 5)**

1. Continuing with stand upside down, remove washer/nut (Q, R) from axle. Insert axle (P) from the inside of the wheel/storage-foot connector.
2. Place one of the wheels (D) on the axle with the longer side of the wheel hub facing inward.
3. Place the washer (Q) on the axle and attach the nut (R). Tighten the nut.

**NOTE:** Do not overtighten. Overtightening may cause wheel rotation to be impaired.

4. Attach the other wheel in the same manner.

FIG. 5



#### ATTACHING THE HANDLE (FIG. 6)

1. With stand upside down, attach the handle (I) on the end of the stand opposite the wheels with one M8 x 25 mm buttonhead screw (S) and lock washer on one side and one M6 x 10 mm buttonhead screw (T) and lock washer on the other side.
2. Tighten securely with the supplied hex wrench.

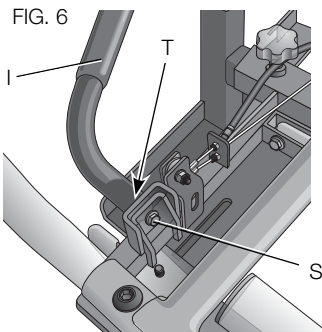
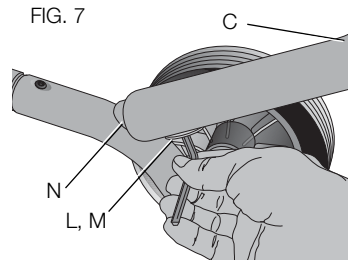


FIG. 7



#### ATTACHING THE STORAGE FOOT (FIG. 7)

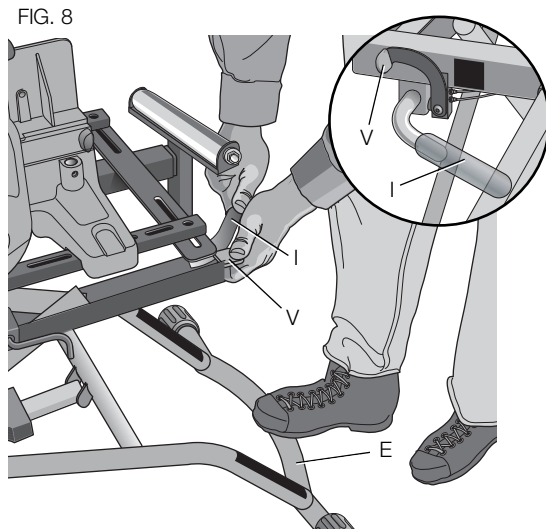
**IMPORTANT:** Turn the stand right side up so the wheels and leg extension sit level on the floor but the stand is not in a raised position.

1. With stand right side up, place the storage foot (C) over the indentations of the wheel and storage-foot connector (N) so when the stand is upright, the storage foot will angle upward.
2. Align the holes in storage foot and storage foot connector. Install two M8 x 15 mm buttonhead screws (L) with curved washers (M) to attach storage foot and the connector.
3. Tighten screws securely with the supplied hex wrench.
4. Securely tighten the storage-foot connector screws that were loosely installed in **Attaching the Wheel and Storage Foot Connector**.

#### TO RAISE AND LOWER THE STAND (FIG. 8)

1. Place your right foot on the bottom of the extension leg (E).
2. Grasp the handle (I) with both hands.
3. Use the thumb of your left hand to push down on the red activating lever (V).
4. Lift up on the handle to release the safety mechanism, then raise or lower the stand. After raising the stand a few inches, release the red activating lever. The stand will automatically lock into place at the next height setting.

The stand will adjust to two heights. Select the desired height and lock into place.



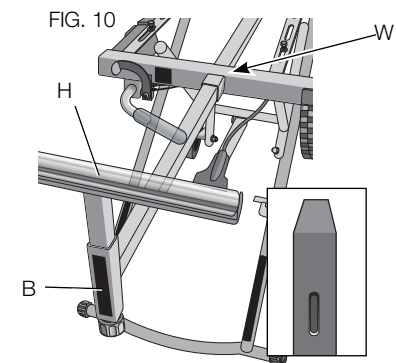
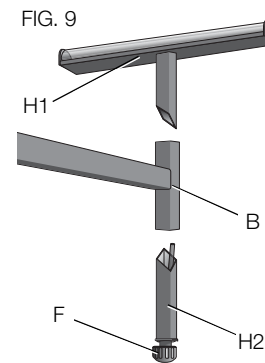
**ATTACHING THE EXTENSION WORK SUPPORTS (FIG. 9, 10)**

**IMPORTANT:** Be sure the longer side of the “T” in the work support arm (B) is oriented down as shown in Figure 9. Refer to the label with the arrow pointing down.

1. With the stand raised to desired height, place the top piece (H1) of the work support into the top of the work support arm (B) hole. Insert the bottom piece (H2) of the work support into the bottom hole of the arm, with proper orientation to the top piece.
2. Tighten the vertical lock knob (F).
3. Repeat with the other extension work support.

4. Insert the assembled extension work support arm (B) with the small black cap (inset, Fig. 10) into the hole (W) of the stand closest to the red activating lever. Push the arm in to lock in place.
5. Repeat for other work support arm on opposite end. Push the arm in to lock in place.

**NOTE:** The internal locking mechanism keeps the work supports from disengaging.



**ATTACHING THE CORD WRAPS (FIG. 11, 12)**

**NOTE:** Place the cord wraps (X) in opposite positions to hold the cord securely.

1. Place the cord wrap screw (X) into the hole (Z) from outside of stand. Place the washer and nut on cord wrap screw and finger tighten nut.

- Using a crescent wrench or 1/2 inch open end wrench, tighten the screw securely.
- Repeat for the other cord wrap.

FIG. 11

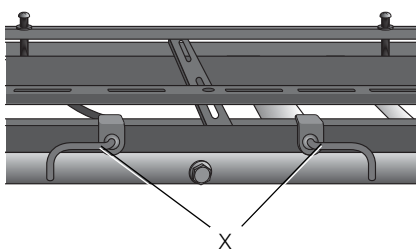
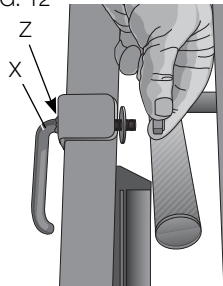


FIG. 12



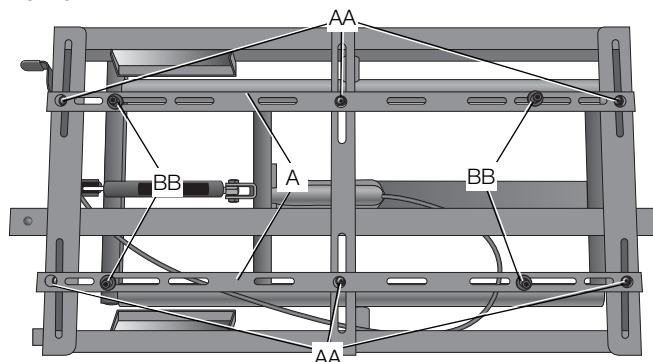
#### ATTACHING THE TOOL (FIG. 13-16)

**⚠ WARNING: STABILITY HAZARD.** Refer to your tool manufacturer's instructions regarding the securing of your miter saw or planer to a stand or supporting surface. Secure the tool according to both the instructions in this manual and those in your tool manufacturer's manual before operating. Failure to heed these warnings may result in serious personal injury and serious damage to the tool.

**⚠ WARNING: To reduce the risk of injury, turn miter saw or planer off, disconnect the tool from the power source before assembling the miter saw or planer to the stand.** An accidental start-up can cause injury.

- Loosen the 6 rail screws (AA) with the supplied hex wrench. Remove the mounting bolts/flat washers (BB) from the mounting rails.

FIG. 13



- Slide the mounting rails (A) to fit the width of the tool. Ensure the mounting slots align with the holes in the tool's feet.

**⚠ WARNING: Planers MUST be mounted in the orientation shown in Figure 16.**

- Place miter saw or planer on the mounting rails (A). Center the tool, both forward and backward and side to side, on the stand.
- Ensure the mounting holes (CC) in the tool's feet align with the rail slots (DD) and the captured nuts (EE) located in the mounting rails.
- Once the two rails are in place, tighten the rail screws (AA) loosened in STEP 1.
- Insert the mounting bolts/flat washers (BB) (removed in STEP 1) through each of the tool's feet into the captured nut (EE). Tighten securely.

**IMPORTANT:** The miter saw or planer MUST be positioned so the tool is bolted squarely to the mounting rails. If this is not possible, please call **1-800-4-DeWALT (1-800-433-9258)** for technical assistance.



**⚠ WARNING: STABILITY HAZARD.** If the tool's mounting holes do not line up with the slots in the mounting rails, mount the miter saw or planer to a piece of 3/4 inch (19 mm) plywood (See Figure 15 for dimensions). The plywood must be a minimum of 4 inch (101.6 mm) wider than the tool base being mounted and a minimum depth of 16 inch (406.4 mm). Plywood must be at least as deep as the tool base being mounted. Drill 3/8 inch (9.4 mm) holes near both ends of the plywood to align with the slots in the mounting rails as described in **Attaching the Tool**. Other hardware (not supplied) may be necessary under these circumstances.

**⚠ WARNING: STABILITY HAZARD.** All purchased hardware must be a minimum of Grade 2. Hardware should be 1-1/4 inch (31.8 mm) longer than the thickness of the tool base you are assembling.

**NOTICE:** To prevent binding and/or inaccuracy, ensure the plywood is not warped or uneven. If binding and/or inaccuracy occurs, replace the plywood with a non-warped, even piece of plywood.

**PRODUCT STABILITY TEST (FIG. 16-17)**

The rolling miter saw/planer stand is designed to be used in conjunction with a wide variety of miter saws, compound miter saws, sliding compound miter saws and planers.

**⚠ WARNING:** Any tool used with this stand must be properly positioned and secured to ensure stability and to prevent inadvertent tipping.

FIG. 14

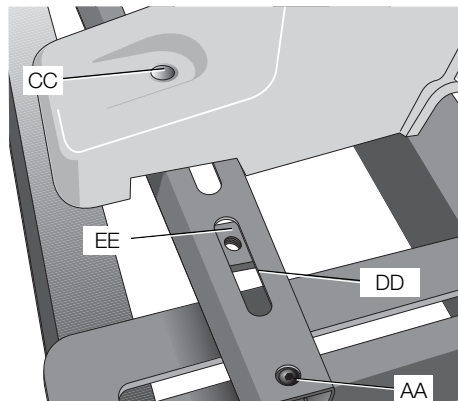
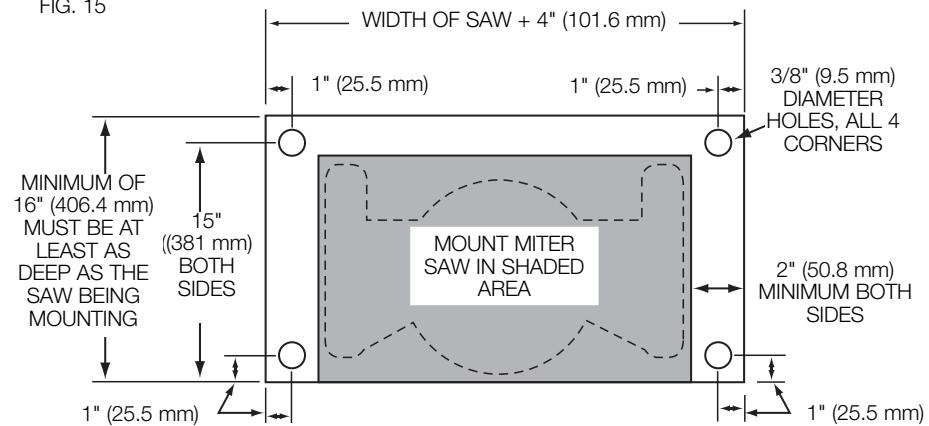
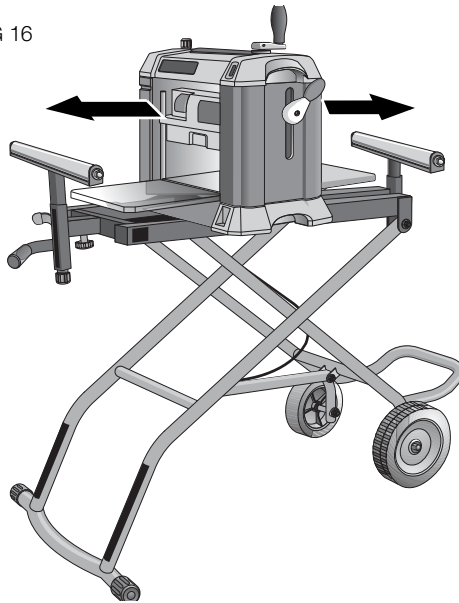


FIG. 15



**⚠ WARNING:** Planers **MUST** be mounted in the orientation shown in Figure 16.

FIG 16



**⚠ WARNING:** To reduce the risk of serious personal injury, turn tool off and disconnect tool from power source before installing and removing accessories, before adjusting or changing set-ups or when making repairs. An accidental start-up can cause injury.

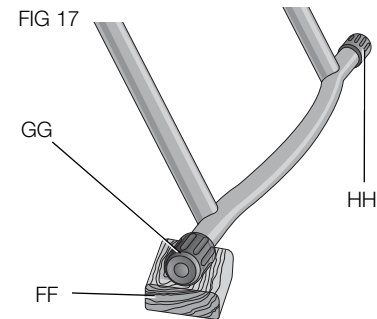
**⚠ WARNING:** For your own safety, use two or more people to perform the stability test or serious injury could result.

**⚠ WARNING:** The cuttinghead **MUST** be raised on all miter saws, compound miter saws and sliding compound miter saws. All sliding compound miter saws **MUST** be locked in the rear position. Failure to do so may result in serious personal injury.

**⚠ WARNING: STABILITY HAZARD.** Stay alert. The stand may tip during this procedure. Serious injury may result.

1. Ensure the tool is securely mounted to the stand and is turned off and disconnected from power source.
2. Place a 2-1/2 inch (63.5 mm) thick block of wood (FF) under the front leg (GG) of the stand so that the front leg is raised 2-1/2 inches (63.5 mm) off the floor.

FIG 17



3. With one person in front of the stand, and the other person behind, lift the front of the stand slightly, remove the block of wood, and allow the stand to drop to the floor.
4. Perform this same test with the block of wood under the rear leg (HH).
5. If the stand tends to tip to the front, reposition the tool toward the rear of the stand. If the stand tends to tip to the rear, reposition the tool forward. Make your adjustment, then repeat the test.

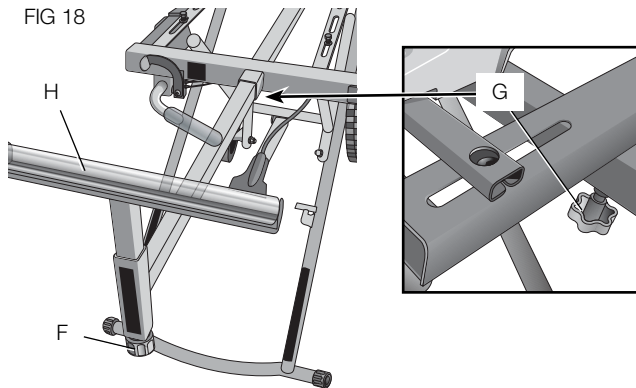
## OPERATION

**⚠ WARNING:** To reduce the risk of injury, keep both hands on handle and the right foot on the extension leg when raising and lowering the stand. The stand has gas assist lifting and may raise unexpectedly when lever is released.

Refer to **To Raise and Lower the Stand** under **Assembly** to adjust the stand to the desired height.

### TO EXTEND THE EXTENSION WORK SUPPORTS (FIG. 18)

1. Turn the horizontal lock knob (G) counterclockwise.
2. Slide the extension work support (H) out or in, depending on the length of the workpiece.
3. Tighten the horizontal lock knob.
4. Repeat with the other side.



### TO ADJUST EXTENSION WORK SUPPORT HEIGHT

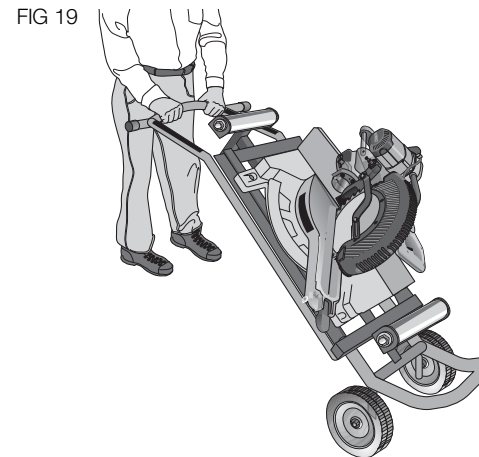
1. Turn the vertical lock knob (F).
2. Adjust the extension work support to the desired height.
3. Tighten the vertical lock knob.
4. Repeat with the other extension work support.

## STORAGE AND TRANSPORTATION

**⚠ WARNING: TIPPING HAZARD.** The stand may tip when storing or transporting the stand close to or in the vertical position. Transport or store the stand in the horizontal position to reduce the risk of the stand tipping.

To lower the stand into the storage position, push down on the red activating lever, lift up on the handle, then exert downward pressure on the handle.

Refer to Figure 19 for proper transporting position.



## Accessories

**▲ WARNING:** *Since accessories, other than those offered by DEWALT, have not been tested with this product, use of such accessories with this tool could be hazardous. To reduce the risk of injury, only DEWALT, recommended accessories should be used with this product.*

Recommended accessories for use with your tool are available at extra cost from your local dealer or authorized service center. If you need assistance in locating any accessory, please contact DEWALT Industrial Tool Co., 701 East Joppa Road, Baltimore, MD 21286, call 1-800-4-DEWALT (1-800-433-9258) or visit our website [www.dewalt.com](http://www.dewalt.com).

## Repairs

To assure product SAFETY and RELIABILITY, repairs, maintenance and adjustments should be performed by a DEWALT factory service center, a DEWALT authorized service center or other qualified service personnel. Always use identical replacement parts.

## Three Year Limited Warranty

DEWALT will repair, without charge, any defects due to faulty materials or workmanship for three years from the date of purchase. This warranty does not cover part failure due to normal wear or tool abuse. For further detail of warranty coverage and warranty repair information, visit [www.dewalt.com](http://www.dewalt.com) or call 1-800-4-DEWALT (1-800-433-9258). This warranty does not apply to accessories or damage caused where repairs have been made or attempted by others. This warranty gives you specific legal rights and you may have other rights which vary in certain states or provinces.

In addition to the warranty, DEWALT tools are covered by our:

### 1 YEAR FREE SERVICE

DEWALT will maintain the tool and replace worn parts caused by normal use, for free, any time during the first year after purchase.

### 90 DAY MONEY BACK GUARANTEE

If you are not completely satisfied with the performance of your DEWALT Power Tool, Laser, or Nailer for any reason, you can return it within 90 days from the date of purchase with a receipt for a full refund – no questions asked.

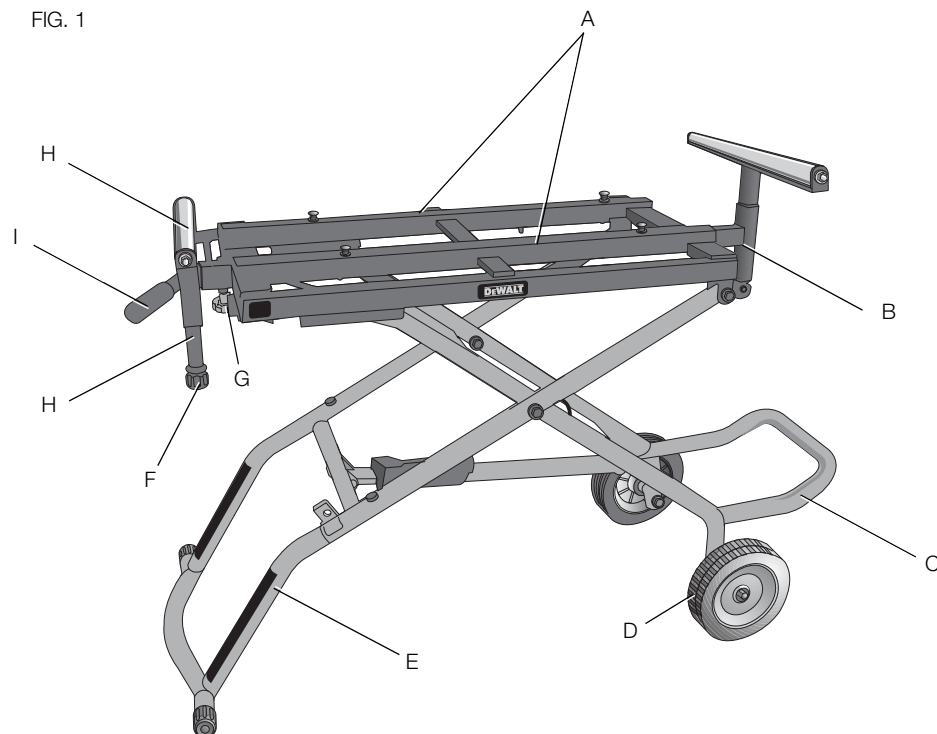
**LATIN AMERICA:** This warranty does not apply to products sold in Latin America. For products sold in Latin America, see country specific warranty information contained either in the packaging, call the local company or see website for warranty information.



## Plate-forme mobile pour scie à onglet/raboteuse DWX726

### Description de l'établi

- A. Rails de fixation
- B. Bras de support d'ouvrage
- C. Pied de rangement
- D. Roues
- E. Rallonge de pied
- F. Bouton de verrouillage vertical
- G. Bouton de verrouillage horizontal
- H. Rallonge
- I. Poignée



### **Définitions : lignes directrices en matière de sécurité**

Les définitions ci-dessous décrivent le niveau de danger pour chaque mot-indicateur employé. Lire le mode d'emploi et porter une attention particulière à ces symboles.

**⚠DANGER** : indique une situation dangereuse imminente qui, si elle n'est pas évitée, **entraînera la mort ou des blessures graves.**

**⚠AVERTISSEMENT** : indique une situation potentiellement dangereuse qui, si elle n'est pas évitée, **pourrait entraîner la mort ou des blessures graves.**

**⚠ATTENTION** : indique une situation potentiellement dangereuse qui, si elle n'est pas évitée, **pourrait entraîner des blessures légères ou modérées.**

**AVIS** : indique une pratique ne posant **aucun risque de dommages corporels** mais qui par contre, si rien n'est fait pour l'éviter, **pourrait poser des risques de dommages matériels.**

EN CAS DE QUESTIONS OU DE COMMENTAIRES SUR CET OUTIL OU SUR TOUT AUTRE OUTIL DEWALT, APPELEZ-NOUS SANS FRAIS AU NUMÉRO SUIVANT : **1 (800) 4-DEWALT (1 (800) 433-9258)**

Cette plate-forme mobile pour scie à onglet/raboteuse a été conçue pour accommoder la plupart des scies à onglet et raboteuses et pour assurer la portabilité de ces outils, que ce soit sur un chantier ou en atelier. Pour tout problème au niveau de l'alignement ou du montage, veuillez appeler le **1-800-4-DEWALT (1-800-433-9258)**.

## **RÈGLES DE SÉCURITÉ**

**⚠ AVERTISSEMENT** : pour votre sécurité, lire le manuel de l'utilisateur respectif à l'outil avant l'utilisation de tout accessoire. Tout manquement à ces avertissements augmente les risques de blessures, et les risques d'endommager sérieusement l'appareil et ses accessoires. Lors de la maintenance de cet outil, n'utiliser que des pièces de rechange identiques.

**⚠ AVERTISSEMENT** : tout manquement aux règles suivantes comporte des risques de dommages corporels graves.

**⚠ AVERTISSEMENT** : pour réduire tout risque de dommages corporels, soulever ou abaisser la plateforme avec les deux mains sur les poignées. La plateforme par pression à gaz peut s'élever brusquement lorsque le levier est libéré.

- **Ce produit à été conçu pour être utilisé comme support de scies à onglet et de raboteuses.** Il peut soutenir jusqu'à 136 kg (300 lb). Tout emploi abusif ou erroné de ce produit comporte des risques de dommages corporels ou matériels.
- **Ne pas monter sur la table de travail.** Il est dangereux de grimper, s'asseoir ou se tenir debout sur la plateforme. Ne pas utiliser les rallonges comme échelle ou échafaudage.
- **Arrimer soigneusement la scie à onglet ou la raboteuse à la plateforme avant toute utilisation.** Suivre soigneusement les instructions d'installation. Arrimer soigneusement l'outil aux rails de fixation de la scie comme indiqué.
- **Disposer la plateforme sur une surface plane et stable pour prévenir toute chute ou culbute.**
- **Prendre des précautions lors de l'élévation ou la baisse de la plateforme pour éviter de se pincer les mains ou les doigts.**
- **Vérifier que les pieds, et tout autre support, sont correctement verrouillés en place avant toute utilisation.**

- **Ne pas modifier la plateforme ou l'utiliser à des fins pour lesquelles elle n'a pas été conçue.**
- Porter **SYSTÉMATIQUEMENT** une protection oculaire. Tout utilisateur ou individu présent doit porter une protection oculaire homologuée ANSI Z87.1.
- Porter **SYSTÉMATIQUEMENT** des lunettes de protection. Les lunettes courantes NE sont PAS des lunettes de protection. Utiliser aussi un masque antipoussières si la découpe doit en produire beaucoup. **PORTER SYSTÉMATIQUEMENT UN ÉQUIPEMENT DE SÉCURITÉ HOMOLOGUÉ :**
  - Protection oculaire ANSI Z87.1 (CAN/CSA Z94.3 ;
  - Protection auditive ANSI S12.6 (S3.19) ;
  - Protection des voies respiratoires NIOSH/OSHA/MSHA

### Contenu du carton

- 1 Plate-forme mobile de scie à onglet/raboteuse
- 1 Rallonge de pied
- 1 Pied de rangement
- 2 Raccord de roue/pied de rangement (droit et gauche)
- 2 Supports télescopiques
- 1 Poignée
- 2 Roues
- 2 Essieux
- 2 Bras de support (1 avec embout noir)
- 1 Sac de quincaillerie :
  - 2 Crochets pour enrouler le cordon électrique (G, D)
  - 6 Vis à tête ronde M8 x 15 mm
  - 1 Vis à tête ronde M8 x 25 mm
  - 6 Rondelles d'appui courbées
  - 2 Boutons de verrouillage de rallonge
  - 1 Rondelle de blocage M8

- 1 Vis à tête ronde M6 x 10 mm
- 1 Rondelle de blocage M6
- 1 Clé hexagonale

### Outils nécessaires

- Clé hexagonale (fournie)
- Clé à molette
- Clé à fourche de 1/2 po
- Clé à fourche de 3/4 po.

### DÉBALLAGE ET NETTOYAGE

Déballer soigneusement le produit et ses accessoires de leur conditionnement d'origine. Retirer toute huile anticorrosion des surfaces non peintes à l'aide d'un chiffon doux humidifié d'essence minérale, de diluant ou d'alcool dénaturé.

**AVIS :** ne pas utiliser des solvants hautement volatils tels que l'essence, le pétrole, l'acétone, ou l'essence légère pour nettoyer votre plateforme.

### Description (Fig. 1)

**⚠AVERTISSEMENT :** ne jamais modifier l'outil ni aucun de ses composants, car il y a risques de dommages corporels ou matériels.

Se reporter à la figure 1 pour la **Description de l'établi.**

### MONTAGE

**⚠AVERTISSEMENT : RISQUES DE PINCEMENT.** Pour réduire tout risque de dommages corporels graves, ne pas élever ou abaisser la plateforme tant que le montage des supports télescopiques n'est pas terminé.

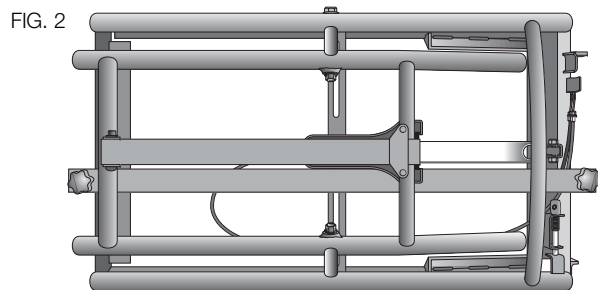
### STOCKAGE DE LA CLÉ (FIG. 3)

La clé hexagonale (J) fournie avec l'outil est rangée dans un coin de la plateforme.



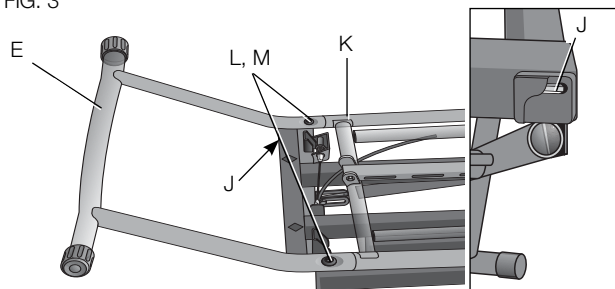
### INSTALLATION DE LA RALLONGE DE PIED (FIG. 2, 3)

**IMPORTANT :** Disposer la plateforme à l'envers sur le sol ou sur une table plane et stable, comme illustré en figure 2.



1. Avec la plateforme à l'envers, insérez la rallonge de pied (E) dans la plateforme (K).
2. Alignez les trous puis installez deux vis à tête ronde M8 x 15 mm (L) avec leurs rondelles d'appui courbées (M).
3. Serrez fermement à l'aide de la clé hexagonale fournie à cet effet.

FIG. 3



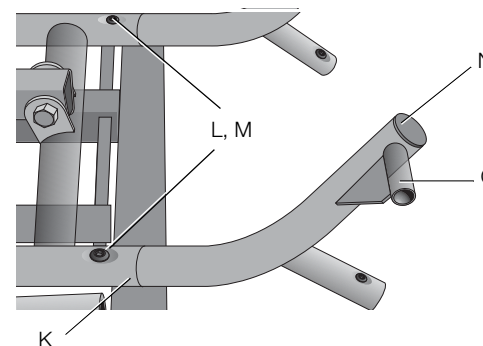
### INSTALLATION DU RACCORD DE ROUE/PIED DE RANGEMENT (FIG. 4)

1. Avec la plateforme toujours à l'envers, insérez le raccord de roue/pied de rangement (N) dans la plateforme (K) avec la rallonge de roue (O) orientée vers l'extérieur.
2. Alignez le trou et insérez une vis à tête ronde M8 x 15 mm (L) avec une rondelle d'appui courbée (M) pour un futur serrage.

**REMARQUE :** la vis sera resserrée complètement plus tard.

3. Rattachez l'autre raccord de roue/pied de rangement de la même manière.

FIG 4

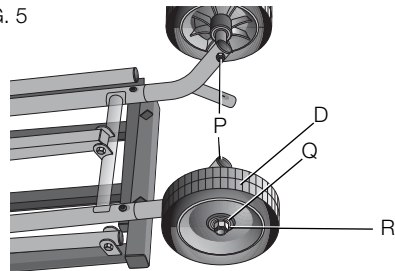


### INSTALLATION DES ROUES (FIG. 5)

1. Toujours avec la plateforme à l'envers, retirez la rondelle/l'écrou (Q, R) de l'essieu. Insérez l'essieu (P) à partir de l'intérieur du raccord de roue/pied de rangement.

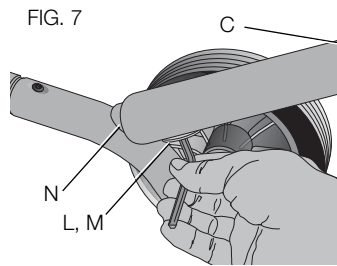
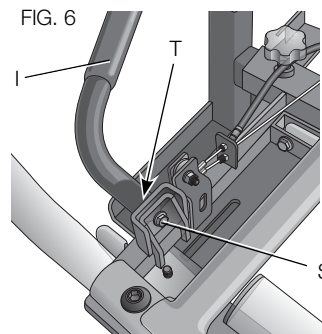
2. Installez l'une des roues (D) sur l'essieu avec la partie la plus longue du moyeu orientée vers l'intérieur.
  3. Placez la rondelle (Q) sur l'essieu et rattachez un écrou (R). Resserrez l'écrou.
- REMARQUE :** attention à ne pas trop serrer. Trop serrer pourrait compromettre la rotation de la roue.
4. Rattachez l'autre roue de la même manière.

FIG. 5



#### INSTALLATION DE LA POIGNÉE (FIG. 6)

1. Avec la plateforme à l'envers, rattachez la poignée (I) à l'autre extrémité de la plateforme, à l'opposé des roues, à l'aide d'une vis à tête ronde M8 x 25 mm (S) et d'une rondelle de blocage sur un côté et une vis à tête ronde M6 x 10 mm (T) et une rondelle de blocage sur l'autre côté.
2. Serrez fermement à l'aide de la clé hexagonale fournie à cet effet.



#### INSTALLATION DU PIED DE RANGEMENT (FIG. 7)

**IMPORTANT :** retourner la plateforme à l'endroit de façon à ce que les roues et la rallonge de pied soient au raz du sol, et non en position haute.

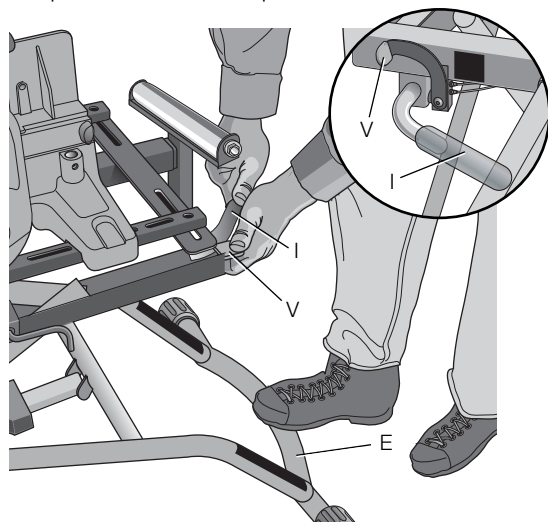
1. Avec la plateforme à l'endroit, installez le pied de rangement (C) sur les indentations du raccord de roue/pied de rangement (N), de façon à ce que lorsque la plateforme sera sur pied, le pied de rangement sera incliné vers le haut.
2. Alignez les trous sur le pied de rangement avec ceux du raccord du pied de rangement. Installez deux vis à tête ronde M8 x 15 mm (L) avec des rondelles d'appui courbées sur (M) pour arrimer le pied de rangement et le connecteur.
3. Serrez fermement les vis à l'aide de la clé hexagonale fournie à cet effet.
4. Resserrez fermement les vis du raccord de pied de rangement qui avaient été juste insérées à la section **Installation du raccord de roue/pied de rangement.**

### POUR LEVER ET ABAISSER LA PLATEFORME (FIG. 8)

1. Placez votre pied droit sur le pied de la rallonge de pied (E).
2. Attrapez à deux mains la poignée (I).
3. À l'aide du pouce de la main gauche, abaissez le levier d'activation rouge (V).
4. Relevez la poignée pour libérer le mécanisme de sécurité, puis levez ou abaissez la plateforme. Après avoir élevé la plateforme de quelques pouces, relâchez le levier d'activation rouge. La plateforme se verrouillera automatiquement en place au réglage de hauteur suivant.

La plateforme pourra être réglée sur deux niveaux. Sélectionnez la hauteur désirée puis verrouillez-la en place.

FIG. 8



### INSTALLATION DES SUPPORTS TÉLESCOPIQUES (FIG. 9, 10)

**IMPORTANT :** S'assurer que le côté le plus long du « T » sur le bras de support (B) est orienté vers le bas, comme illustré en figure 9. Se reporter à l'étiquette avec la flèche orientée vers le bas.

1. Avec la plateforme ajustée à la hauteur désirée, placez la partie supérieure (H1) du support de travail dans le haut du trou du bras de support (B). Insérez la partie inférieure (H2) du support de travail dans le trou inférieur du bras, en l'orientant correctement par rapport à la partie supérieure.
2. Resserrez le bouton de verrouillage vertical (F).
3. Faire de même avec l'autre support télescopique.
4. Insérez le dispositif du bras de support télescopique (B) avec le petit embout noir (encadré, fig. 10) dans le trou (W) de la plateforme le plus proche du levier d'activation rouge. Repoussez le bras pour le verrouiller en place.
5. Faire de même pour le bras de support opposé. Repoussez le bras pour le verrouiller en place.

**REMARQUE :** le mécanisme interne de verrouillage maintient le support de travail bloqué.

FIG. 9

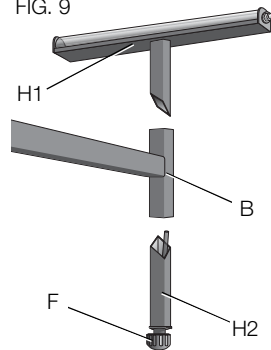
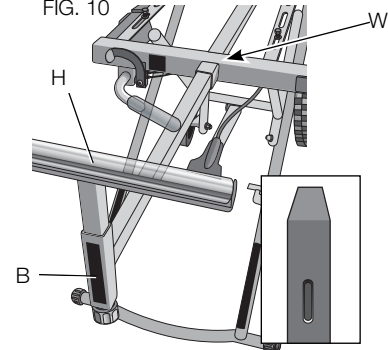


FIG. 10



### INSTALLATION DES CROCHETS POUR ENROULER LE CORDON ÉLECTRIQUE (FIG. 11, 12)

**REMARQUE :** installer les crochets (X) à l'opposé l'un de l'autre pour maintenir soigneusement le cordon.

1. Placez la vis (X) du crochet pour enrouler le cordon dans le trou (Z), de l'extérieur de la plateforme vers l'intérieur. Placez une rondelle et un écrou sur la vis du crochet puis serrez l'écrou à la main.
2. À l'aide de la clé à molette ou la clé à fourche de 1/2 po resserrez la vis fermement.
3. Répétez l'opération pour l'autre crochet.

FIG. 11

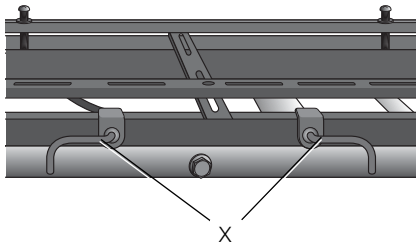
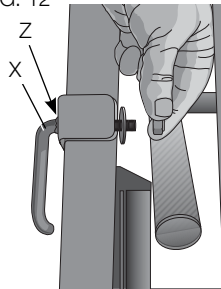


FIG. 12



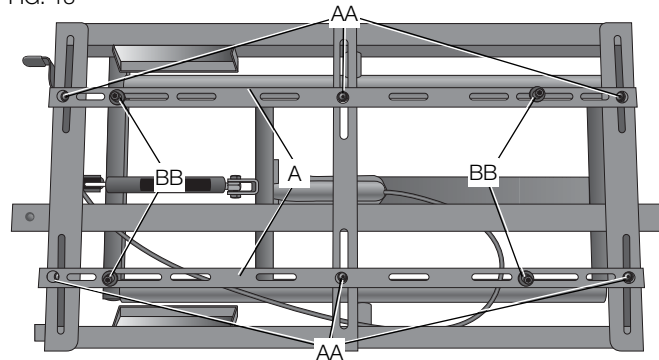
### INSTALLATION DE L'OUTIL (FIG. 13-16)

**⚠AVERTISSEMENT : RISQUES D'INSTABILITÉ.** Pour arrimer votre scie à onglet ou raboteuse à la plateforme, ou à une surface de support, se reporter aux instructions du fabricant de votre outil. Avant toute utilisation, arrimer soigneusement l'outil en suivant les instructions de ce manuel et celui du fabricant de l'outil. Tout manquement à ces avertissements pose des risques de dommages corporels et matériels graves.

**⚠AVERTISSEMENT :** pour réduire tout risque de dommages corporels, arrêter et débrancher la scie à onglet ou la raboteuse du secteur avant de les assembler à la plateforme. Tout démarrage accidentel comporte des risques de dommages corporels.

1. Desserrez les 6 vis de rail (AA) avec la clé hexagonale fournie à cet effet. Retirez les boulons/rondelles plates de montage (BB) des rails de fixation.

FIG. 13



2. Faites glisser les rails de fixation (A) pour les ajuster à la largeur de l'outil. Assurez-vous que les orifices de montage sont bien alignés avec les trous dans les pieds de l'outil.

**⚠AVERTISSEMENT :** les raboteuses **DOIVENT** être installées comme illustré en figure 16.

3. Placez la scie à onglet ou la raboteuse sur les rails de fixation (A). Centrez l'outil sur la plateforme (longitudinalement et latéralement).

4. Assurez-vous que les trous de montage (CC) sur les pieds de l'outil s'alignent bien avec les orifices du rail (DD) et les écrous captifs (EE) logés dans les rails de fixation.
5. Une fois les rails en place, resserrez les vis (AA) de rail desserrées lors de la PREMIÈRE ÉTAPE.
6. Insérez les boulons/rondelles plates de montage (BB) (retirés lors de l'ÉTAPE 1) dans chacun des pieds de l'outil au travers des écrous captifs (EE). Resserrez fermement.

**IMPORTANT :** La scie à onglet, ou la raboteuse, DOIT être positionnée de façon à ce que l'outil soit arrimé parfaitement sur les rails de fixation. Dans cette impossibilité, composer le **1(800) 4-DEWALT (1-800-433-9258)** pour une assistance technique.

**⚠AVERTISSEMENT : RISQUES D'INSTABILITÉ.** Si les trous de montage de l'outil ne s'alignent pas sur les orifices des rails de fixation, installer la scie à onglet ou la raboteuse sur un morceau de contreplaqué de 19 mm (3/4 po) (se reporter à la figure 15 pour les dimensions). Le contreplaqué doit dépasser d'un minimum de 101,6 mm (4 po) la base de l'outil à installer, et avoir une profondeur minimum de 406,4 mm (16 po). Le contreplaqué doit être au moins aussi large que la base de l'outil installé. Percez des trous de 9,5 mm (3/8 po) près du bord, aux deux extrémités du contreplaqué, pour les aligner avec les orifices des rails de fixation, comme décrit à la section Installation de l'outil. Vous pouvez avoir besoin dans ces circonstances de matériel supplémentaire (non fourni avec l'outil).

FIG. 14

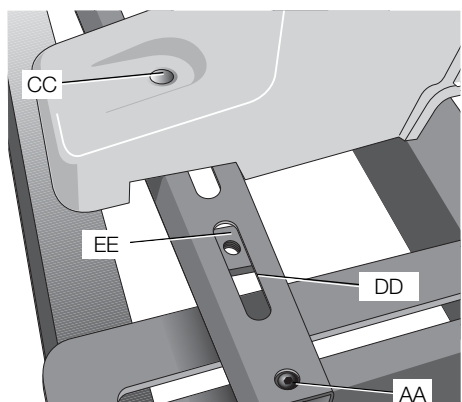
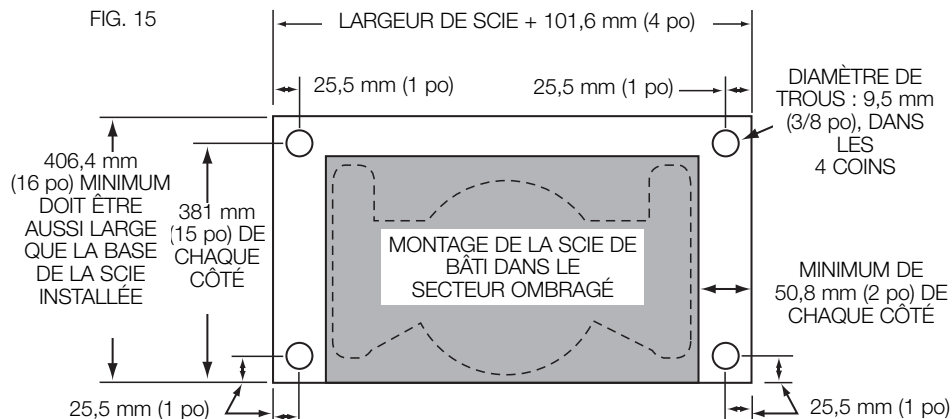


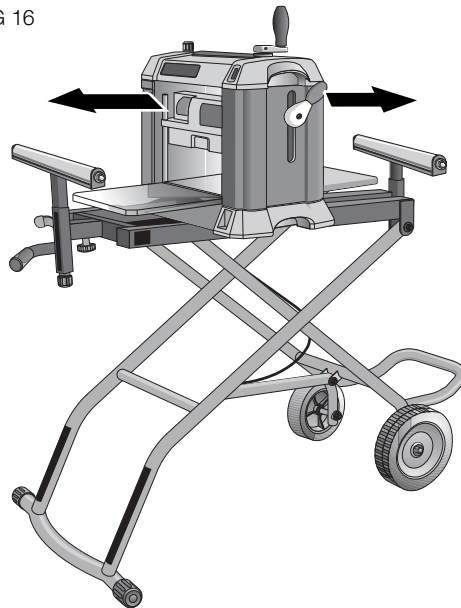
FIG. 15



**⚠ AVERTISSEMENT : RISQUES D'INSTABILITÉ.** Toute quincaillerie utilisée doit être d'un grade 2 minimum. Elle doit dépasser d'au moins 31,8 mm (1-1/4 po) la base de la scie installée.

**AVIS :** pour prévenir tout grippage et/ou toute perte de précision, s'assurer que le contreplaqué n'est ni gondolé ni irrégulier. Dans cette éventualité, le remplacer par un morceau lisse et plane.

FIG 16



**TEST DE STABILITÉ (FIG. 16-17)**

La plateforme mobile pour scie à onglet/raboteuse a été conçue pour être utilisée avec une grande variété de scies à onglet, scies à onglet composé, de scies à onglet composé coulissantes et de raboteuses.

**⚠ AVERTISSEMENT :** les outils utilisés avec cette plateforme doivent être positionnés et arrimés correctement pour en assurer la stabilité et en prévenir la culbute.

**⚠ AVERTISSEMENT :** les raboteuses **DOIVENT** être installées comme illustré en figure 16.

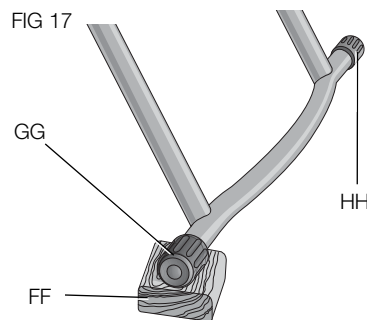
**⚠ AVERTISSEMENT :** pour réduire tout risque de dommages corporels graves, arrêter et débrancher l'outil du secteur avant d'installer ou retirer tout accessoire, avant tout réglage ou changement de configuration, ou pour faire toute réparation. Tout démarrage accidentel comporte des risques de dommages corporels.

**⚠ AVERTISSEMENT :** pour votre sécurité, effectuer le test de stabilité avec deux ou trois personnes pour prévenir tout risque de dommages corporels graves.

**⚠ AVERTISSEMENT :** la tête de coupe des scies à onglet, scies à onglet composé, et scies à onglet composé coulissantes **DOIT** être en position haute. Toutes les scies à onglet composé coulissantes **DOIVENT** être verrouillées en position arrière. Tout manquement à cette règle comporte des risques de dommages corporels graves.

**⚠ AVERTISSEMENT : RISQUES D'INSTABILITÉ.** Rester prudent. La plateforme pourrait culbute lors de cette procédure. Des blessures graves pourraient en résulter.

1. Assurez-vous que l'outil est solidement arrimé à la plateforme, et est arrêté et déconnecté du secteur.
2. Placez un bloc de bois épais de 63,5 mm (2-1/2 po) (FF) sous le pied avant (GG) de la plateforme, de façon à la surélever du sol de cette hauteur.
3. Avec une personne à l'avant de la plateforme, une autre à l'arrière, soulevez légèrement l'avant de la plateforme, retirez le bloc de bois, et laissez la plateforme retomber sur le sol.
4. Effectuez le même test avec un bloc de bois placé sous le pied arrière (HH).
5. Si la plateforme a tendance à basculer vers l'avant, repositionnez l'outil vers l'arrière de celle-ci. Si la plateforme a tendance à basculer vers l'arrière, repositionnez l'outil vers l'avant. Effectuez les ajustements nécessaires puis répétez ce test.



## UTILISATION

**⚠ AVERTISSEMENT :** Pour réduire tout risque de dommages corporels, soulever ou abaisser la plateforme avec les deux mains sur la poignée et le pied droit sur la rallonge de pied. La plateforme par pression à gaz peut s'élever brusquement lorsque le levier est libéré.

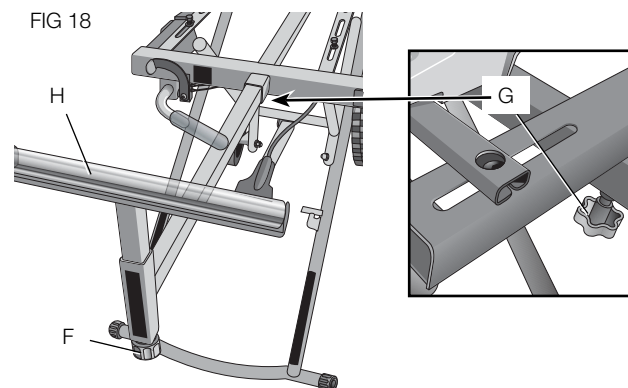
Se reporter à la section **Pour lever et abaisser la plateforme** sous le paragraphe **Assemblage** pour ajuster la plateforme à la hauteur désirée.

## EXTENSION DES SUPPORTS TÉLESCOPIQUES (FIG. 18)

1. Tournez le bouton de verrouillage horizontal (G) vers la gauche.
2. Étirez ou repoussez le support télescopique (H), en fonction de la longueur de la pièce à travailler.
3. Resserrez le bouton de verrouillage horizontal.
4. Répétez l'opération de l'autre côté.

## RÉGLAGE VERTICAL DU SUPPORT TÉLESCOPIQUE

1. Tournez le bouton de verrouillage vertical (F).
2. Ajustez le support télescopique à la hauteur désirée.
3. Resserrez le bouton de verrouillage vertical.
4. Répétez l'opération avec l'autre support télescopique.



## STOCKAGE ET TRANSPORT

**⚠AVERTISSEMENT : RISQUES DE CULBUTE.** Le stockage ou le transport de la plateforme en position repliée ou verticale pose des risques de culbute. Transporter ou entreposer la plateforme en position horizontale pour réduire tout risque de culbute.

Pour mettre la plateforme en position de stockage, appuyez sur le levier d'activation rouge, soulevez la poignée, puis exercez une pression verticale sur la poignée.

Reportez-vous à la figure 19 pour une illustration de la position correcte de transport.

FIG 19



## Accessoires

**⚠AVERTISSEMENT :** puisque les accessoires autres que ceux offerts par DEWALT n'ont pas été testés avec ce produit, l'utilisation de ceux-ci avec l'outil pourrait s'avérer dangereuse. Pour réduire le risque de blessures, utiliser exclusivement les accessoires DEWALT recommandés avec le présent produit.

Les accessoires recommandés pour votre outil peuvent être achetés auprès du distributeur local ou d'un centre de réparation agréé. Si vous avez besoin d'assistance pour trouver un accessoire pour votre outil, veuillez contacter DEWALT Industrial Tool Co., 701 East Joppa Road, Baltimore, MD 21286, États-Unis, composer le 1(800) 4-DEWALT (1-800-433-9258) ou visiter notre site Web à [www.dewalt.com](http://www.dewalt.com).

## Réparations

Pour assurer la SÉCURITÉ et la FIABILITÉ du produit, les réparations, l'entretien et les réglages doivent être réalisés par un centre de réparation en usine DEWALT, un centre de réparation autorisé DEWALT ou par un personnel de réparation professionnel. Toujours utiliser des pièces de rechange identiques.

## Garantie limitée trois ans

DEWALT réparera gratuitement tous les problèmes dus à des défauts de matériau ou de fabrication pendant trois ans à compter de la date d'achat. Cette garantie ne couvre pas des défaillances de pièce dues à une usure normale ou à une mauvaise utilisation de l'outil. Pour plus de détails relatifs à la couverture de la garantie et aux réparations sous garantie, visiter le site Web [www.dewalt.com](http://www.dewalt.com) ou composer le 1-800-4-DEWALT (1-800-433-9258). Cette garantie ne s'applique pas aux accessoires ni aux dommages causés par des réparations réalisées ou tentées par des tiers. Cette garantie vous accorde des droits légaux spécifiques et il est possible que vous ayez d'autres droits qui varient d'un État ou d'une province à l'autre.

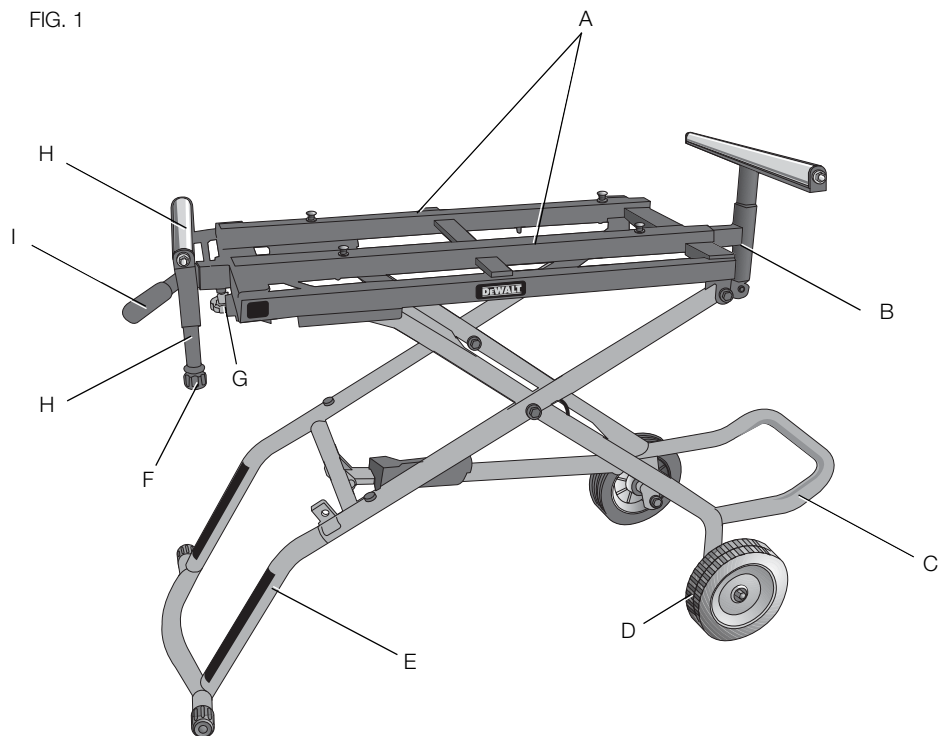




## **DWX726 Base de soporte rodante para sierra para corte de ingletes/cepiladora**

### **Lista de piezas**

- A. Rieles de montaje
- B. Brazo de apoyo de la pieza de trabajo
- C. Pie para almacenamiento
- D. Ruedas
- E. Extensión de la pata
- F. Pomo de bloqueo vertical
- G. Pomo de bloqueo horizontal
- H. Brazo de extensión
- I. Barra de sujeción



### **Definiciones: Normas de seguridad**

Las siguientes definiciones describen el nivel de gravedad de cada palabra de señal. Lea el manual y preste atención a estos símbolos.

**⚠PELIGRO:** Indica una situación de peligro inminente que, si no se evita, **provocará** la muerte o **lesiones graves**.

**⚠ADVERTENCIA:** Indica una situación de peligro potencial que, si no se evita, **podría** provocar **la muerte o lesiones graves**.

**⚠ATENCIÓN:** Indica una situación de peligro potencial que, si no se evita, **posiblemente** provocaría **lesiones leves o moderadas**.

**AVISO:** Se refiere a una práctica **no relacionada a lesiones corporales** que de no evitarse **puede** resultar en **daños a la propiedad**.

SI TIENE ALGUNA DUDA O ALGÚN COMENTARIO SOBRE ÉSTA U OTRA HERRAMIENTA DEWALT, LLÁMENOS AL NÚMERO GRATUITO: **1-800-4-DEWALT (1-800-433-9258)**

La base de soporte rodante para sierra para corte de ingletes/ cepilladora es una base diseñada para ser compatible con la mayoría de las sierras para cortes de ingletes y cepilladoras, y para brindar la función de portabilidad a estas unidades, tanto en el campo como en el taller. Si tiene algún problema con el alineamiento o montaje de la base, llame a **1-800-4-DEWALT (1-800-433-9258)**.

### **REGLAS DE SEGURIDAD**

**⚠ADVERTENCIA :** Para su seguridad, lea el manual de instrucciones de la herramienta antes de utilizar cualquier accesorio. De no seguir estas advertencias podrían

producirse lesiones corporales y graves daños a la herramienta y al accesorio. Cuando realice el mantenimiento de esta herramienta, utilice únicamente repuestos originales.

**⚠ADVERTENCIA:** El incumplimiento con estas reglas puede resultar en lesiones corporales graves.

**⚠ADVERTENCIA:** Para reducir el riesgo de lesiones, mantenga ambas manos en la barra de sujeción cuando suba o baje el soporte. El soporte cuenta con elevación a gas y puede elevarse inesperadamente al soltar la palanca.

- **Este producto fue diseñado para ser utilizado como un soporte para sierras ingleteadoras y máquinas cepilladoras.** El soporte puede sostener hasta 136 Kg. (300 libras de peso). El mal uso o abuso de este producto puede dañar el mismo o resultar en lesiones corporales.
- **No se pare encima de la mesa de trabajo.** Es peligroso treparse, sentarse o pararse sobre el soporte. No use las extensiones del soporte como si fueran escaleras o andamios.
- **Asegure debidamente la sierra ingleteadora o máquina cepilladora al soporte antes de operar las mismas.** Siga detenidamente las instrucciones de montaje. Sujete bien la herramienta a los rieles de montaje de la sierra, como se indica.
- **Coloque el soporte sobre una superficie plana y nivelada para evitar que se balancee o se vuelque.**
- **Tenga cuidado al subir o bajar el producto para reducir el riesgo de pellizcarse las manos o los dedos.**
- **Revise las patas y otros puntos de apoyo para verificar que estén debidamente asegurados antes de comenzar la operación de la herramienta.**
- **No modifique ni use el soporte para propósitos para los cuales no fue diseñado.**

- **SIEMPRE** use protección ocular. Todos los usuarios y las personas circunstanciales deben llevar protección ocular en conformidad con ANSI Z87.1.
- Use **SIEMPRE** gafas de seguridad. Los anteojos de diario **NO SON** gafas de seguridad. Utilice además un cubrebocas o una mascarilla antipolvo si la operación de corte genera demasiado polvo. **SIEMPRE LLEVE EQUIPO DE SEGURIDAD CERTIFICADO:**
  - Protección ocular ANSI Z87.1 (CAN/CSA Z94.3),
  - Protección auditiva ANSI S12.6 (S3.19),
  - Protección respiratoria NIOSH/OSHA/MSHA.

### Contenido de la caja

- 1 Base de soporte rodante para sierra para corte de ingleses/cepiladora
- 1 Pata de extensión
- 1 Pie para almacenamiento vertical
- 2 Conector de la rueda/pie para almacenamiento (izquierdo y derecho)
- 2 Unidad de extensión del soporte para tareas
  - 1 Barra de sujeción
  - 2 Rueda (2)
  - 2 Eje (2)
  - 2 Brazos de soporte para tareas (1 con tapa negra)
- 1 Bolsa con accesorios de montaje:
  - 2 Soportes para enrollar el cable (L, D)
  - 6 Tornillos de cabeza abombada M8 de 15 mm
  - 1 Tornillo de cabeza abombada M8 de 25 mm
  - 6 Arandelas curvas
  - 2 Pomos de bloqueo de la extensión
  - 1 Arandela de fijación M8

- 1 Tornillo de cabeza abombada M6 de 10 mm
- 1 Arandela de fijación M6
- 1 Llave hexagonal

### Herramientas requeridas

- Llave hexagonal (incluida)
- Llave sueca ajustable
- Llave fija de 1/2 pulg.
- Llave fija de 3/4 pulg.

### DESEMBALAJE Y LIMPIEZA

Desembale cuidadosamente el producto y todos los artículos sueltos del (o de los) contenedor(es) de transporte. Con un paño suave humedecido con esencia mineral, diluyente para pinturas o alcohol desnaturalizado quite el aceite anti-óxido de las superficies sin pintar.

**AVISO:** No utilice solventes altamente volátiles como gasolina, nafta, acetona, o diluyente de esmalte para limpiar su soporte.

### Componentes (Fig. 1)

**⚠ADVERTENCIA:** Nunca modifique el soporte, ni tampoco ninguna de sus partes. Podría producir lesiones corporales o daños.

Remítase a la Figura 1 para obtener la **Lista de componentes**.

### ENSAMBLAJE

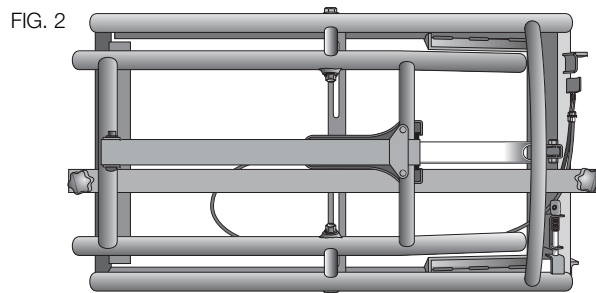
**⚠ADVERTENCIA: RIESGO DE PELLIZCO.** Para reducir el riesgo de lesiones corporales graves, no suba ni baje el soporte hasta completar el ensamblaje de las extensiones del soporte para tareas.

### ALMACENAMIENTO DE LA LLAVE (FIG. 3)

La llave hexagonal que viene incluida (J) viene puesta en el lugar de almacenamiento de la llave en la esquina del soporte.

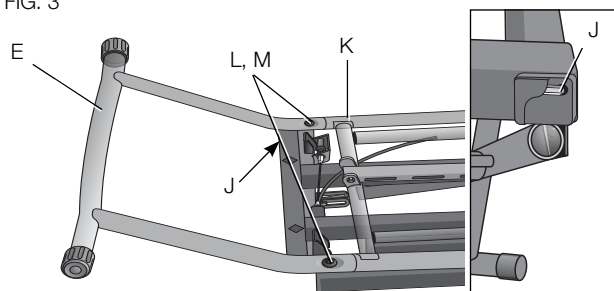
### INSTALACIÓN DE LA PATA DE EXTENSIÓN (FIG. 2, 3)

**IMPORTANTE:** Coloque el soporte boca abajo sobre el piso o sobre una mesa nivelada y estable como lo muestra la Figura 2.



1. Con el soporte boca abajo, inserte la pata de extensión (E) en el soporte (K).
2. Alinee los orificios e instale dos tornillos de cabeza abombada M8 de 15 mm (L) con arandelas curvas (M).
3. Ajuste bien con la llave hexagonal incluida.

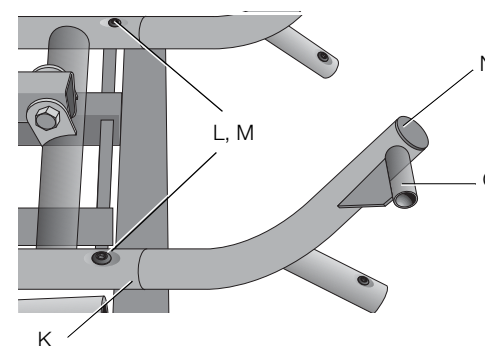
FIG. 3



### INSTALACIÓN DEL CONECTOR DE LA RUEDA Y PIE PARA ALMACENAMIENTO (FIG. 4)

1. Con el soporte aún boca abajo, inserte el conector de la rueda/pie para almacenamiento (N) en el soporte (K), con la extensión de la rueda (O) mirando hacia afuera.

FIG 4



2. Alinee el orificio e instale sin ajustar mucho un tornillo de cabeza abombada M8 de 15 mm (L) con arandela curvas (M) para un ajuste mayor.
3. Instale el otro conector de rueda/pie para almacenamiento en la misma forma.

**NOTA:** El tornillo se ajustará completamente más adelante en el proceso de ensamblaje.

### INSTALACIÓN DE LAS RUEDAS (FIG. 5)

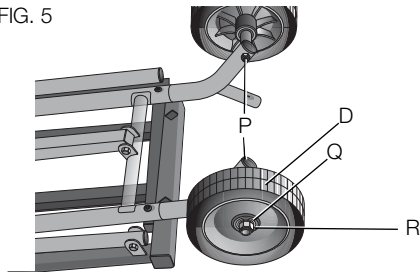
1. Siguiendo con el soporte boca abajo, retire la arandela/tuerca (Q, R) del eje. Inserte el eje (P) desde la parte interior del conector de rueda/pie para almacenamiento.

- Coloque una de las ruedas (D) en el eje con la parte más larga del cubo de la rueda mirando hacia adentro.
- Coloque la arandela (Q) en el eje e instale la tuerca (R). Ajuste la tuerca.

**NOTA:** No ajuste excesivamente. Si la ajusta demasiado, podría hacer que la rueda no gire bien.

- Instale la otra rueda de la misma manera.

FIG. 5



#### INSTALACIÓN DE LA BARRA DE SUJECIÓN (FIG. 6)

- Con el soporte boca abajo, instale la barra de sujeción (I) en el extremo del soporte opuesto a las ruedas con un tornillo de cabeza abombada M8 x 25 mm (S) y una arandela de fijación en un lado, y con un tornillo de cabeza abombada M6 x 10 mm (T) y arandela de fijación en el otro lado.
- Ajuste bien con la llave hexagonal incluida.

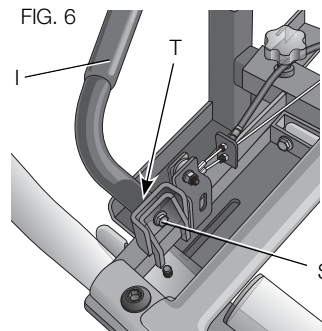


FIG. 6

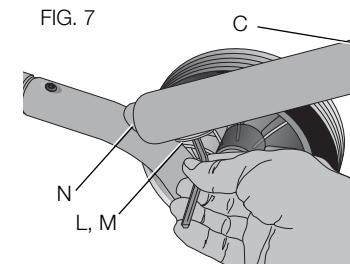


FIG. 7

#### INSTALACIÓN DEL PIE PARA ALMACENAMIENTO (FIG. 7)

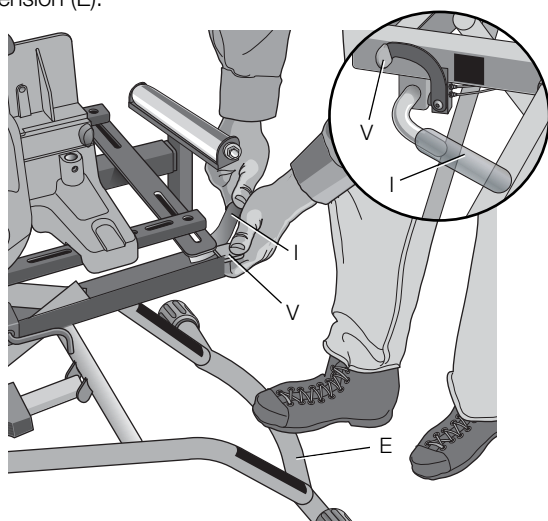
**IMPORTANTE:** Dé vuelta el soporte de modo que las ruedas y la pata de extensión queden asentadas sobre el suelo en forma pareja, pero sin que el soporte quede elevado.

- Con el soporte en la posición correcta, coloque el pie para almacenamiento (C) sobre las hendiduras del conector de rueda y pata de extensión (N) de modo que cuando el soporte esté recto, el pie para almacenamiento esté en un ángulo, apuntando hacia arriba.
- Alinee los orificios del pie para almacenamiento con los del conector del pie para almacenamiento. Instale dos tornillos de cabeza abombada M8 de 15 mm (L) con arandelas curvas en (M) para instalar el pie para almacenamiento y el conector.
- Ajuste bien los tornillos con la llave hexagonal incluida.
- Ajuste bien los tornillos del conector del pie para almacenamiento que instaló sin ajustar en **Instalación del conector de la rueda y del pie para almacenamiento.**

### PARA SUBIR O BAJAR EL SOPORTE (FIG. 8)

1. Coloque su pie derecho en la parte de abajo de la pata de extensión (E).

FIG. 8



2. Sujete la barra de sujeción (I) con ambas manos.
3. Use el pulgar de su mano izquierda para presionar la palanca de activación roja (V).
4. Levante la barra de sujeción para liberar el mecanismo de seguridad y luego levante o baje el soporte. Luego de elevar el soporte un par de pulgadas, libere la palanca de activación roja. El soporte se fijará automáticamente en la siguiente altura disponible. El soporte se puede ajustar en dos alturas. Seleccione la altura deseada y fíjelo en ella.

### INSTALACIÓN DE LA EXTENSIÓN DEL SOPORTE PARA TAREAS (FIG. 9, 10)

**IMPORTANTE:** Asegúrese de que el extremo más largo de la "T" en el brazo de soporte para tareas (B) esté mirando hacia abajo, como lo muestra la Figura 9. Remítase a la etiqueta con la flecha apuntando hacia abajo.

1. Una vez fijado en la altura deseada, coloque la pieza superior (H1) del soporte para tareas en la parte superior del orificio para el brazo del soporte para tareas (B). Inserte la pieza inferior (H2) del soporte para tareas en el orificio inferior del brazo, con la orientación debida hacia la pieza superior.
2. Ajuste la perilla de fijación vertical (F).

FIG. 9

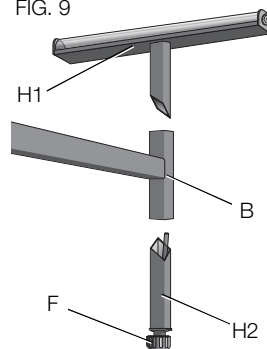
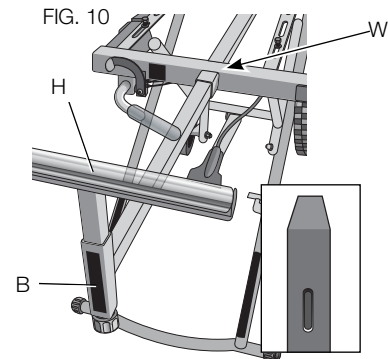


FIG. 10



3. Repita con la otra extensión de soporte para tareas.
4. Inserte el brazo ensamblado de la extensión del soporte para tareas (B) con la tapa negra pequeña (recuadro, Fig. 10) en el orificio (W) del soporte más cercano a la palanca de activación roja. Empuje hacia abajo el brazo para fijarlo en su lugar.

- Repita para el otro brazo de soporte para tareas en el extremo opuesto. Empuje hacia abajo el brazo para fijarlo en su lugar.

**NOTA:** El mecanismo de fijación interno previene que los soportes para tareas se separen.

### INSTALACIÓN DE LOS SOPORTES PARA ENROLLAR EL CABLE (FIG. 11, 12)

**NOTA:** Coloque los soportes para enrollar el cable (X) en posiciones opuestas para que sujeten bien el cable.

- Coloque el tornillo para el soporte para enrollar el cable (X) en el orificio (T) desde la parte externa del soporte. Coloque la arandela y la tuerca en el tornillo del soporte para enrollar el cable y ajuste con los dedos.
- Con una llave sueca o con una llave fija de 1/2 pulg. ajuste bien el tornillo.
- Repita para el otro soporte para enrollar el cable.

FIG. 11

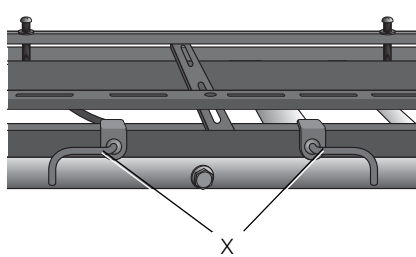
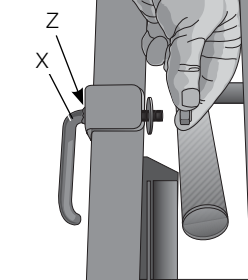


FIG. 12



### INSTALACIÓN DE LA HERRAMIENTA (FIG. 13-16)

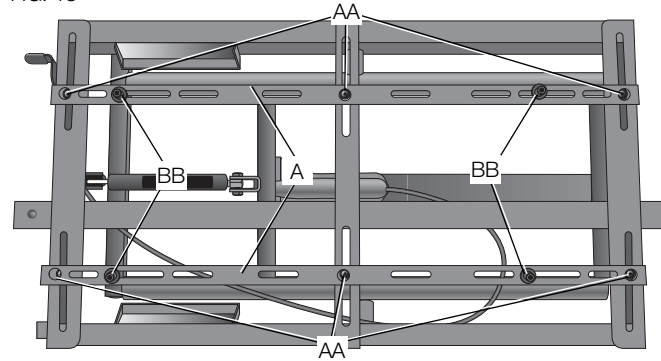
**¡ADVERTENCIA: PELIGRO DE INESTABILIDAD.** Remítase a las instrucciones del fabricante de su herramienta con respecto a asegurar su sierra ingleteadora o máquina cepilladora a un soporte o superficie de apoyo. Asegure la herramienta siguiendo tanto las instrucciones de este

manual como las del manual del fabricante de su herramienta antes de operarla. El no respetar estas advertencias puede resultar en lesiones corporales graves y daños serios a la herramienta.

**¡ADVERTENCIA: Para reducir el riesgo de lesiones, apague la sierra ingleteadora o máquina cepilladora, desenchufe la herramienta de la fuente de electricidad antes de ensamblar la sierra ingleteadora o máquina cepilladora en el soporte. Un arranque accidental puede causar lesiones.**

- Afloje los 6 tornillos del riel (AA) con la llave hexagonal incluida. Retire los pernos de montaje/arandelas planas (BB) de los rieles de montaje.

FIG. 13



- Deslice los rieles de montaje (A) de modo que calcen con el ancho de la herramienta. Verifique que las ranuras de montaje se alineen con los orificios de los pies de la herramienta.

**¡ADVERTENCIA: Las máquinas cepilladoras DEBEN ser montadas en la dirección que se muestra en la Figura 16.**



3. Coloque la sierra ingleteadora o máquina cepilladora en los rieles de montaje (A). Centre la herramienta en el soporte, tanto por delante y por detrás como de lado a lado.
4. Verifique que los orificios de montaje (CC) en los pies de la herramienta queden alineados con las ranuras de los rieles (DD) y las tuercas prisioneras (EE) ubicadas en los rieles de montaje.
5. Una vez que los dos rieles estén en su lugar, ajuste los tornillos del riel (AA) que aflojó en el PASO 1.
6. Inserte los pernos de montaje/arandelas planas (BB) (que quitó en el PASO 1) en cada uno de los pies de la herramienta y la tuerca prisionera correspondiente (EE). Ajuste firmemente.

**IMPORTANTE:** La sierra ingleteadora o máquina cepilladora DEBE ubicarse de modo que la herramienta quede directamente apernada en los rieles de montaje. Si esto no es posible, por favor llame al **1-800-4-DEWALT (1-800-433-9258)** para recibir asistencia técnica.

**⚠ADVERTENCIA: PELIGRO DE INESTABILIDAD.** Si los orificios de montaje de la herramienta no quedan alineados con las ranuras de los rieles de montaje, monte la sierra ingleteadora o máquina cepilladora en una pieza de contrachapado de 19 mm (3/4 pulg.) (Remítase a la Figura 15 para ver las dimensiones). El contrachapado debe ser un mínimo de 101,6 mm (4 pulg.) más ancho que la base de la herramienta que se está montando y tener una profundidad mínima de 406,4 mm (16 pulg.). El contrachapado debe tener como mínimo la misma profundidad de la base de la herramienta que se está montando. Perfore orificios de 9,4 mm (3/8 pulg.) cerca de cada uno de los extremos del contrachapado para alinearlos con las ranuras en los rieles de montaje como se describe en **Instalación de la herramienta.** Puede que requiera de otros accesorios de montaje (no incluidos) en estas circunstancias.

FIG. 14

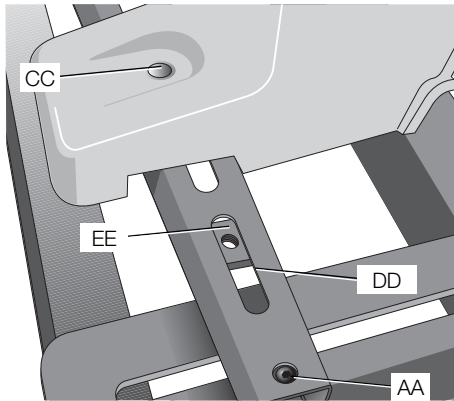
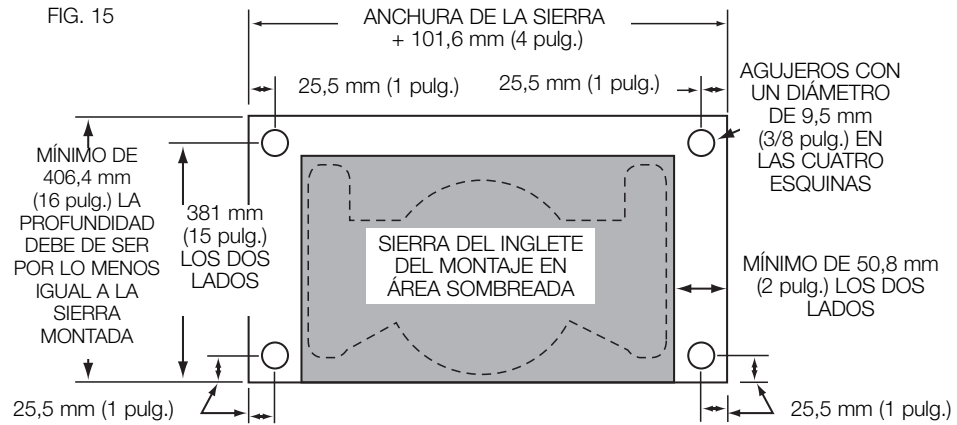


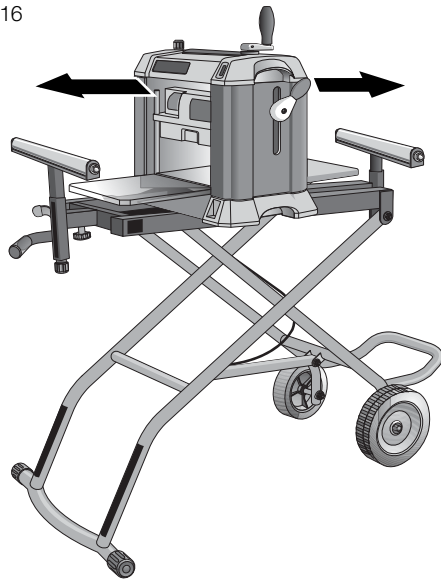
FIG. 15



**⚠ADVERTENCIA: PELIGRO DE INESTABILIDAD.** Todos los accesorios de montaje que utilice deberán ser como mínimo grado 2. Los accesorios de montaje deberán tener 31,8 mm (1-1/4 pulg.) más de largo que el grosor de la base de la herramienta que está montando.

**AVISO:** Para evitar que la herramienta se trabe y/o que su precisión se vea afectada, verifique que el contrachapado no esté combado o que sea disperejo. Si la herramienta se traba y/o si su precisión se ve afectada, cambie el contrachapado por una pieza que no esté combada y que sea pareja.

FIG 16



**PRUEBA DE ESTABILIDAD DEL PRODUCTO (FIG. 16-17)**

La base de soporte rodante para sierra para corte de ingletes/ cepilladora está diseñado para ser utilizado con una gran variedad de sierras ingleteadoras, sierras ingleteadoras compuestas, sierras ingleteadoras compuestas corredizas y máquinas cepilladoras.

**⚠ADVERTENCIA:** Cualquier herramienta que se utilice con este soporte debe ser debidamente colocada y asegurada para garantizar su estabilidad y para prevenir que se vuelque inadvertidamente.

**⚠ADVERTENCIA:** Las máquinas cepilladoras **DEBEN** ser montadas en la dirección que se muestra en la Figura 16.

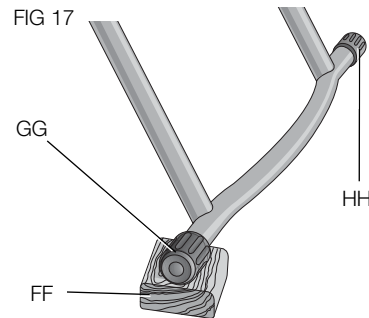
**⚠ADVERTENCIA: Para reducir el riesgo de lesiones corporales, apague la herramienta y desenchúfela antes de instalar o quitar accesorios, antes de realizar ajustes o de cambiar configuraciones, y cuando se la repare. Un arranque accidental puede causar lesiones.**

**⚠ADVERTENCIA:** Para su seguridad, realice la prueba de estabilidad con la ayuda de dos personas o más; de lo contrario, podría resultar en lesiones graves.

**⚠ADVERTENCIA:** El cabezal de corte **DEBE** estar elevado en toda sierra ingleteadora, sierra ingleteadora compuesta, y sierra ingleteadora compuesta corrediza. Todas las sierras ingleteadoras compuestas corredizas **DEBEN** ser fijadas en la posición posterior. El incumplimiento con lo anterior puede resultar en lesiones corporales graves.

**⚠ADVERTENCIA: PELIGRO DE INESTABILIDAD.** Permanezca alerta. El soporte puede volcarse durante este procedimiento. Pueden producirse lesiones graves.

1. Verifique que la herramienta quede bien montada en el soporte y que esté apagada y desenchufada.
2. Coloque un bloque de madera gruesa de 63,5 mm (2-1/2 pulg.) (FF) debajo de la pata delantera (GG) del soporte, de modo que la pata delantera quede a 63,5 mm (2-1/2 pulg.) del piso.
3. Con una persona delante del soporte y la otra detrás, levante la parte delantera del soporte ligeramente, quite el bloque de madera y permita que el soporte caiga al suelo.
4. Realice la misma prueba con el bloque de madera debajo de la pata trasera (HH).
5. Si el soporte tiende a inclinarse hacia adelante, vuelva a posicionar la herramienta más hacia la parte posterior del soporte. Si el soporte tiende a inclinarse hacia atrás, vuelva a posicionar la herramienta más hacia adelante. Haga sus ajustes y repita la prueba.



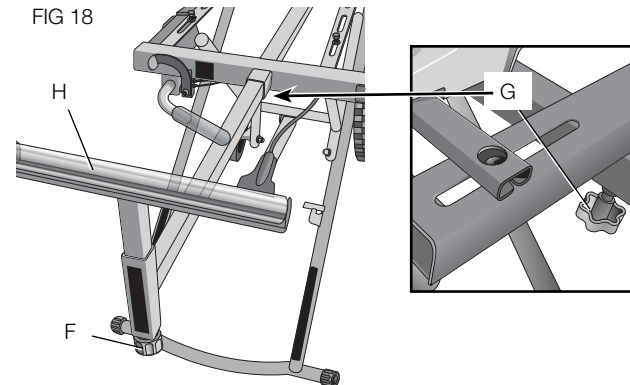
## OPERACIÓN

**⚠ADVERTENCIA:** Para reducir el riesgo de lesiones, mantenga ambas manos en la barra de sujeción y el pie derecho en la pata de extensión cuando suba o baje el soporte. El soporte cuenta con elevación a gas y puede elevarse inesperadamente al soltar la palanca.

Remítase a **Para subir o bajar el soporte** bajo **Montaje** para ajustar el soporte a la altura deseada.

## PARA EXTENDER LAS EXTENSIONES DE SOPORTE PARA TAREAS (FIG. 18)

1. Gire la perilla de fijación horizontal (G) en dirección contraria a las manillas del reloj.
2. Deslice la extensión del soporte para tareas (H) hacia afuera o hacia adentro, dependiendo del largo de la pieza de trabajo.
3. Ajuste la perilla de fijación horizontal.
4. Repita con el otro lado.



## PARA AJUSTAR LA ALTURA DE LA EXTENSIÓN DEL SOPORTE PARA TAREAS

1. Gire la perilla de fijación vertical (F).
2. Ajuste la extensión del soporte para tareas a la altura deseada.
3. Ajuste la perilla de fijación vertical.
4. Repita con la otra extensión de soporte para tareas.

## ALMACENAMIENTO Y TRANSPORTE

**⚠ADVERTENCIA: PELIGRO DE VOLCAMIENTO.** El soporte puede volcarse al ser almacenado o transportado en posición vertical o casi vertical. Transporte o almacene el soporte en posición horizontal para reducir el riesgo de volcamiento del soporte.

Para bajar el soporte a la posición de almacenamiento, presione hacia abajo la palanca de activación roja, levante la barra de sujeción y luego empújela hacia abajo.

Remítase a la Figura 19 para ver la posición correcta para transportar el soporte.

FIG 19



## Accesorios

**⚠ADVERTENCIA:** Debido a que no se han probado con este producto otros accesorios que no sean los que ofrece DEWALT, el uso de dichos accesorios podría ser peligroso. Para reducir el riesgo de lesiones, con este producto deben usarse sólo los accesorios DEWALT recomendados.

Los accesorios que se recomiendan para la herramienta están disponibles para la compra en su distribuidor local o en el centro de mantenimiento autorizado. Si necesita ayuda para localizar algún accesorio para su herramienta, comuníquese con DEWALT Industrial Tool Co., 701 East Joppa Road, Baltimore, MD 21286, llame al 1-800-4-DEWALT (1-800-433-9258) o visite nuestro sitio Web [www.dewalt.com](http://www.dewalt.com).

## Reparaciones

Para garantizar la SEGURIDAD y la CONFIABILIDAD, deberán hacerse reparaciones, mantenimiento y ajustes de esta herramienta en los centros autorizados de servicio DEWALT u otras organizaciones autorizadas. Estas organizaciones prestan servicio a las herramientas DEWALT y emplean siempre refacciones legítimas DEWALT.

### PARA REPARACIÓN Y SERVICIO DE SUS HERRAMIENTAS ELÉCTRICAS, FAVOR DE DIRIGIRSE AL CENTRO DE SERVICIO MÁS CERCANO

#### CULIACAN, SIN

Bldv.Emiliano Zapata 5400-1 Poniente  
Col. San Rafael

(667) 717 89 99

#### GUADALAJARA, JAL

Av. La Paz #1779 - Col. Americana Sector Juárez

(33) 3825 6978

#### MEXICO, D.F.

Eje Central Lázaro Cárdenas No. 18  
Local D, Col. Obrera

(55) 5588 9377

**MERIDA, YUC**

Calle 63 #459-A - Col. Centro

(999) 928 5038

**MONTERREY, N.L.**

Av. Francisco I. Madero 831 Poniente - Col. Centro

(818) 375 23 13

**PUEBLA, PUE**

17 Norte #205 - Col. Centro

(222) 246 3714

**QUERETARO, QRO**

Av. San Roque 274 - Col. San Gregorio

(442) 2 17 63 14

**SAN LUIS POTOSI, SLP**

Av. Universidad 1525 - Col. San Luis

(444) 814 2383

**TORREON, COAH**

Blvd. Independencia, 96 Pte. - Col. Centro

(871) 716 5265

**VERACRUZ, VER**

Prolongación Díaz Mirón #4280 - Col. Remes

(229) 921 7016

**VILLAHERMOSA, TAB**

Constitución 516-A - Col. Centro

(993) 312 5111

**PARA OTRAS LOCALIDADES:****Si se encuentra en México, por favor llame al (55) 5326 7100****Si se encuentra en U.S., por favor llame al****1-800-433-9258 (1-800 4-DEWALT)*****Póliza de Garantía***

IDENTIFICACIÓN DEL PRODUCTO:

Sello o firma del Distribuidor.

Nombre del producto: \_\_\_\_\_ Mod./Cat.: \_\_\_\_\_

Marca: \_\_\_\_\_ Núm. de serie \_\_\_\_\_

(Datos para ser llenados por el distribuidor)

Fecha de compra y/o entrega del producto: \_\_\_\_\_

Nombre y domicilio del distribuidor donde se adquirió el producto:

\_\_\_\_\_

Este producto está garantizado por un año a partir de la fecha de entrega, contra cualquier defecto en su funcionamiento, así como en materiales y mano de obra empleados para su fabricación. Nuestra garantía incluye la reparación o reposición del producto y/o componentes sin cargo alguno para el cliente, incluyendo mano de obra, así como los gastos de transportación razonablemente erogados derivados del cumplimiento de este certificado.

Para hacer efectiva esta garantía deberá presentar su herramienta y esta póliza sellada por el establecimiento comercial donde se adquirió el producto, de no contar con ésta, bastará la factura de compra.

**EXCEPCIONES.**

Esta garantía no será válida en los siguientes casos:

- Cuando el producto se hubiese utilizado en condiciones distintas a las normales;
- Cuando el producto no hubiese sido operado de acuerdo con el instructivo de uso que se acompaña;
- Cuando el producto hubiese sido alterado o reparado por personas distintas a las enlistadas al final de este certificado.

Anexo encontrará una relación de sucursales de servicio de fábrica, centros de servicio autorizados y franquiciados en la República Mexicana, donde podrá hacer efectiva su garantía y adquirir partes, refacciones y accesorios originales.

***Garantía limitada de tres años***

DEWALT reparará sin cargo cualquier defecto ocasionado por materiales defectuosos o mano de obra, durante tres años a partir de la fecha de compra. Esta garantía no cubre fallas en las piezas que resulten del desgaste normal de la herramienta o de su utilización inadecuada. Para obtener información detallada sobre la cobertura de la garantía y sobre reparaciones, visite nuestra página Web [www.dewalt.com](http://www.dewalt.com) o llame al 1-800-4-DEWALT (1-800-433-9258). Esta





DEWALT Industrial Tool Co., 701 East Joppa Road, Baltimore, MD 21286  
(JUN11) Part No. N116787 DWX726 Copyright © 2011 DEWALT

The following are trademarks for one or more DEWALT power tools: the yellow and black color scheme; the "D" shaped air intake grill; the array of pyramids on the handgrip; the kit box configuration; and the array of lozenge-shaped humps on the surface of the tool.